



US00D855776S

(12) **United States Design Patent** (10) **Patent No.:** **US D855,776 S**  
**Bucher** (45) **Date of Patent:** **\*\* Aug. 6, 2019**

- (54) **DUAL FLUSH TRIP LEVER**
- (71) Applicant: **AS AMERICA, INC.**, Piscataway, NJ (US)
- (72) Inventor: **Christophe Bucher**, Hillsborough, NJ (US)
- (73) Assignee: **AS America, Inc.**, Piscataway, NJ (US)
- (\*\*) Term: **15 Years**
- (21) Appl. No.: **29/629,079**
- (22) Filed: **Dec. 11, 2017**
- (51) **LOC (12) Cl.** ..... **23-01**
- (52) **U.S. Cl.**  
USPC ..... **D23/252**
- (58) **Field of Classification Search**  
USPC ..... D23/250, 252, 254, 309, 313;  
D8/307-308, 313  
CPC ..... E03D 1/14; Y02A 20/412  
See application file for complete search history.

- 7,219,375 B2 5/2007 Steadman
  - 7,526,819 B2 5/2009 Beaupre
  - 7,591,027 B2 9/2009 Scruggs
  - 7,607,635 B2 10/2009 Wilson
  - D627,441 S 11/2010 Sedwick
  - 7,975,324 B2 7/2011 Ge et al.
  - 8,033,522 B2 10/2011 Wilson
  - D652,118 S 1/2012 Corpuz, Jr.
  - D657,022 S 4/2012 Huang
  - D662,571 S 6/2012 Corpuz, Jr.
  - 8,205,276 B2 6/2012 Ge et al.
  - 8,393,018 B2 3/2013 Huang
  - D679,781 S 4/2013 Flowers et al.
  - 8,418,276 B2 4/2013 Huang
  - 8,584,268 B2 11/2013 Han
  - 8,615,823 B2 12/2013 Heath
  - D703,295 S \* 4/2014 Garrels ..... D23/252
  - D711,513 S 8/2014 Garrels et al.
  - D711,514 S 8/2014 Garrels et al.
  - 8,800,955 B2 8/2014 Wilson
- (Continued)

*Primary Examiner* — Robert A Delehanty  
(74) *Attorney, Agent, or Firm* — Michele V. Frank; Venable LLP

(57) **CLAIM**

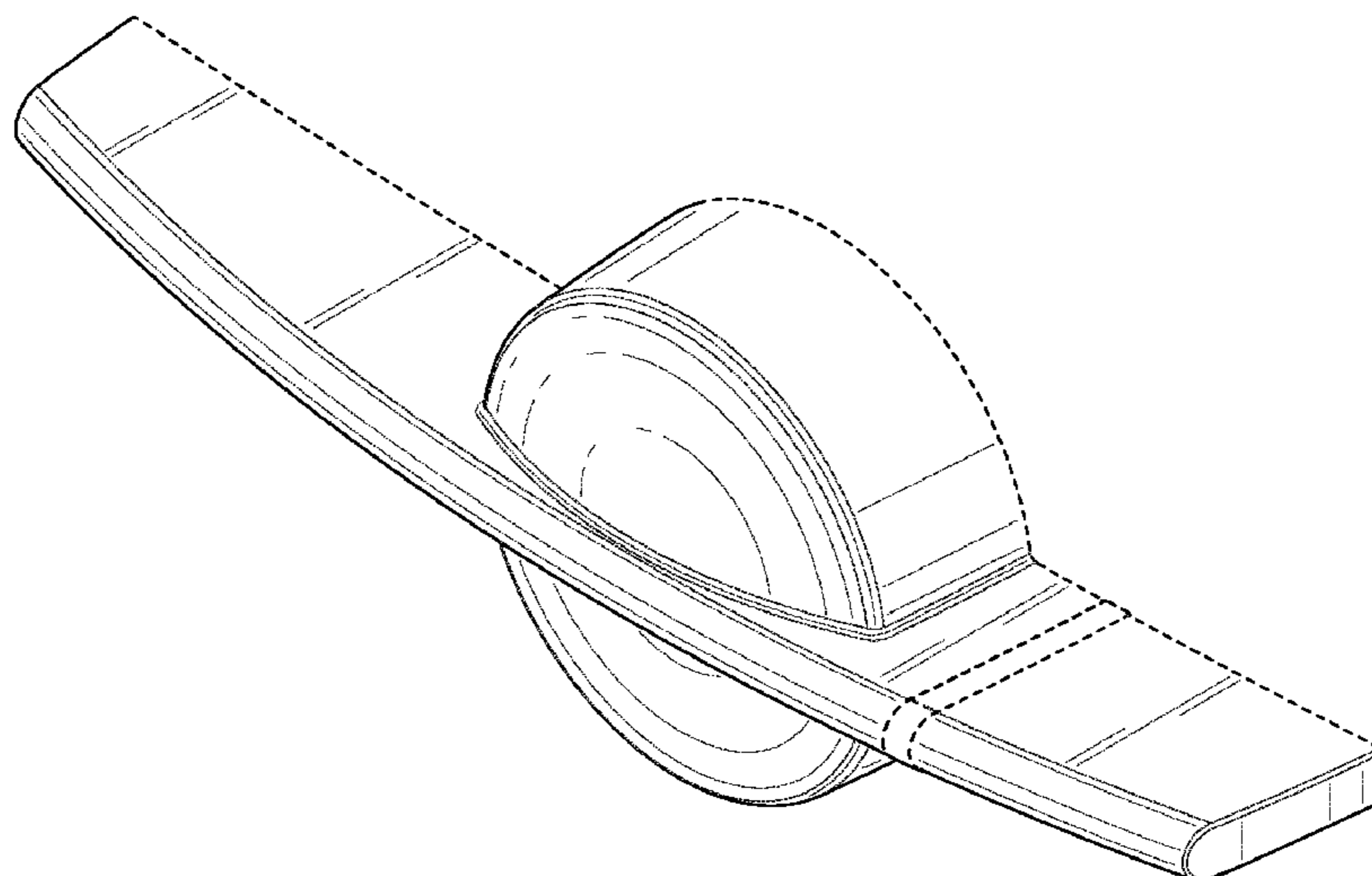
The ornamental design for a dual flush trip lever, as shown and described.

**DESCRIPTION**

FIG. 1 is a perspective view of an embodiment of the claimed design;  
FIG. 2 is a front view thereof;  
FIG. 3 is a rear view thereof;  
FIG. 4 is a right view thereof;  
FIG. 5 is a left view thereof;  
FIG. 6 is a top view thereof; and,  
FIG. 7 is a bottom view thereof.  
The features shown in broken lines form no part of the claimed design.

**1 Claim, 7 Drawing Sheets**

- (56) **References Cited**
- U.S. PATENT DOCUMENTS
- D141,187 S \* 5/1945 Stanitz ..... D23/252
- D197,883 S \* 4/1964 Crain ..... D8/313
- D284,500 S \* 7/1986 Bolgert ..... D23/252
- 5,301,373 A 4/1994 Hull et al.
- D432,633 S \* 10/2000 Higgins ..... D23/250
- 6,263,520 B1 7/2001 Song
- 6,311,342 B1 11/2001 Hwang
- 6,317,899 B1 11/2001 Brewer
- 6,651,263 B1 11/2003 Hsiao et al.
- 6,775,859 B1 8/2004 Gorginians
- 6,785,913 B2 9/2004 Ho
- 6,823,534 B2 11/2004 Li
- 6,898,808 B2 5/2005 Molho et al.
- 7,159,251 B2 1/2007 Hennessy
- 7,200,877 B2 4/2007 Peng



(56)

**References Cited**

U.S. PATENT DOCUMENTS

8,850,630	B2	10/2014	Akbarpour
9,032,560	B2	5/2015	Lambert et al.
D737,939	S	9/2015	Garrels et al.
9,228,333	B1	1/2016	Schuster et al.
9,267,275	B2	2/2016	Schuster et al.
D751,179	S	3/2016	Garrels et al.
9,371,639	B1	6/2016	Schuster et al.
9,410,311	B2	8/2016	Akbarpour
9,447,570	B1	9/2016	Schuster et al.
9,605,418	B2	3/2017	Lambert et al.
9,689,154	B2	6/2017	Lopez Agüero
2002/0095719	A1	7/2002	Hand
2004/0064879	A1	4/2004	Hand
2005/0028262	A1	2/2005	McKee
2005/0050625	A1	3/2005	Bayer
2005/0229298	A1	10/2005	Bayer
2007/0163035	A1	7/2007	Steadman
2008/0022443	A1	1/2008	Jones
2008/0295238	A1	12/2008	Hawley et al.
2010/0017948	A1	1/2010	Bauer et al.
2010/0083434	A1	4/2010	Steadman
2011/0167549	A1	7/2011	Schuster et al.
2011/0167550	A1	7/2011	Revelle
2012/0240320	A1	9/2012	Frost
2015/0225935	A1	8/2015	Lopez Agüero
2015/0376884	A1	12/2015	Schuster et al.

\* cited by examiner

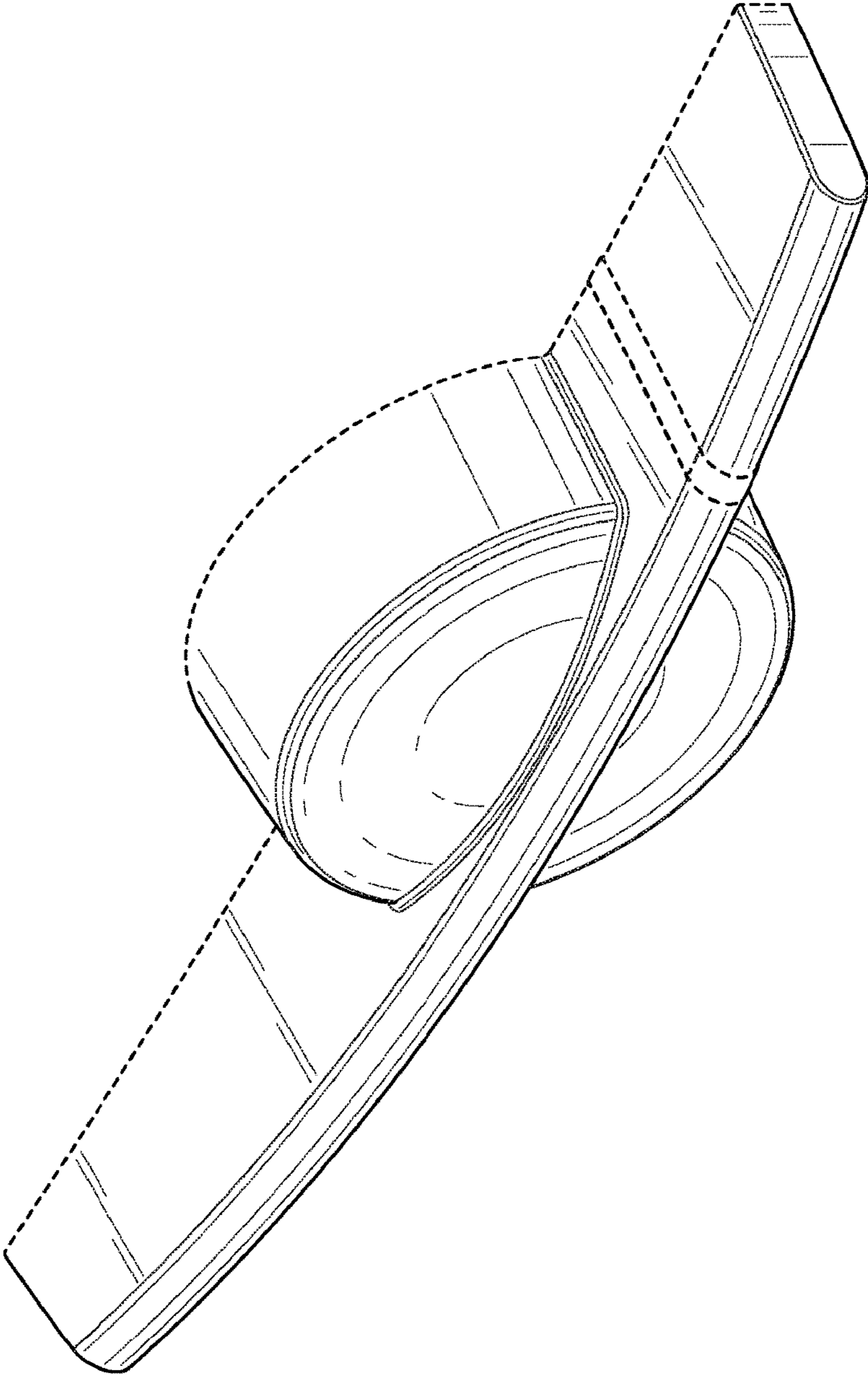


FIG. 1

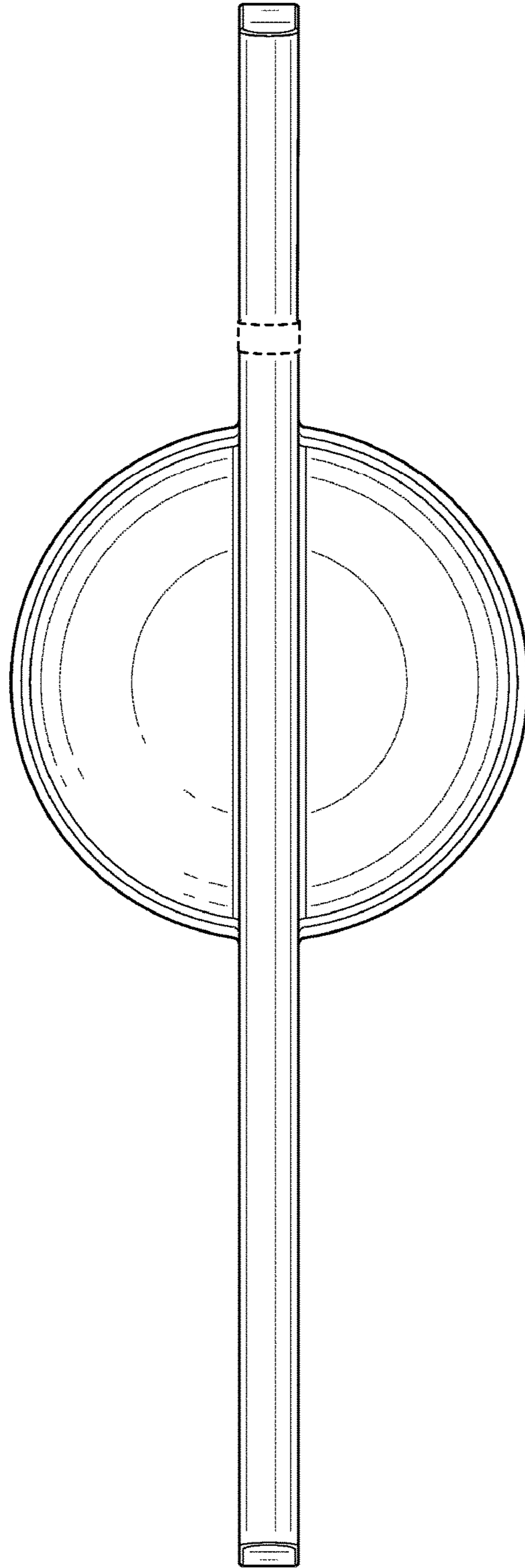


FIG. 2

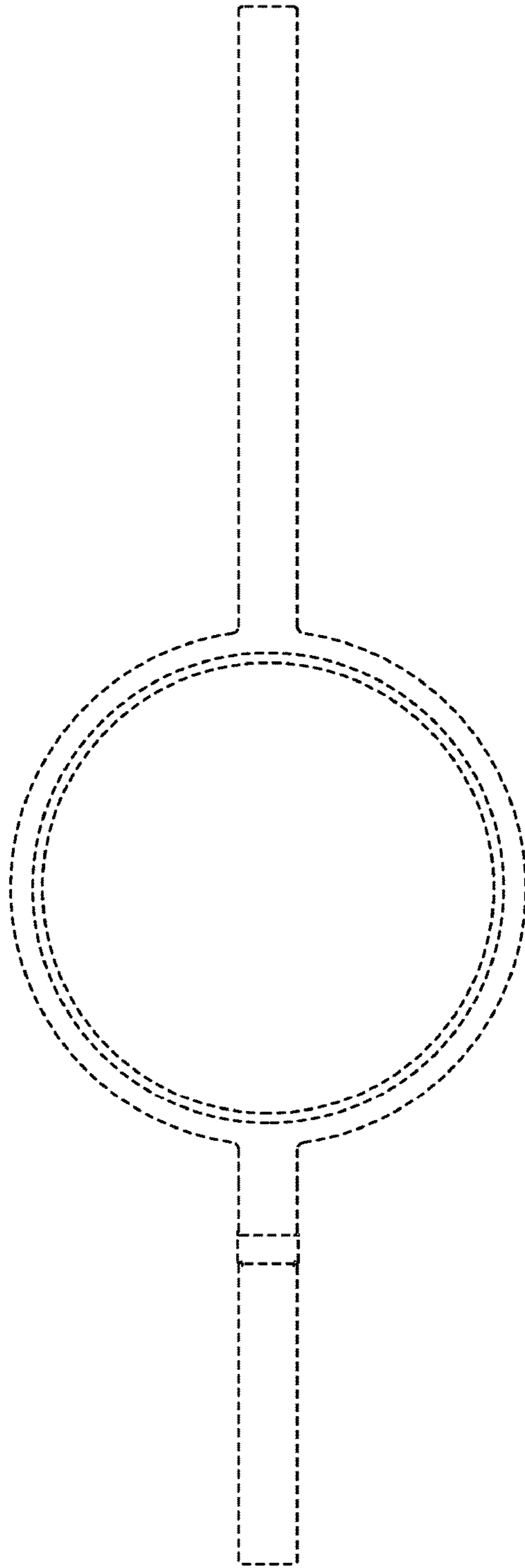


FIG. 3

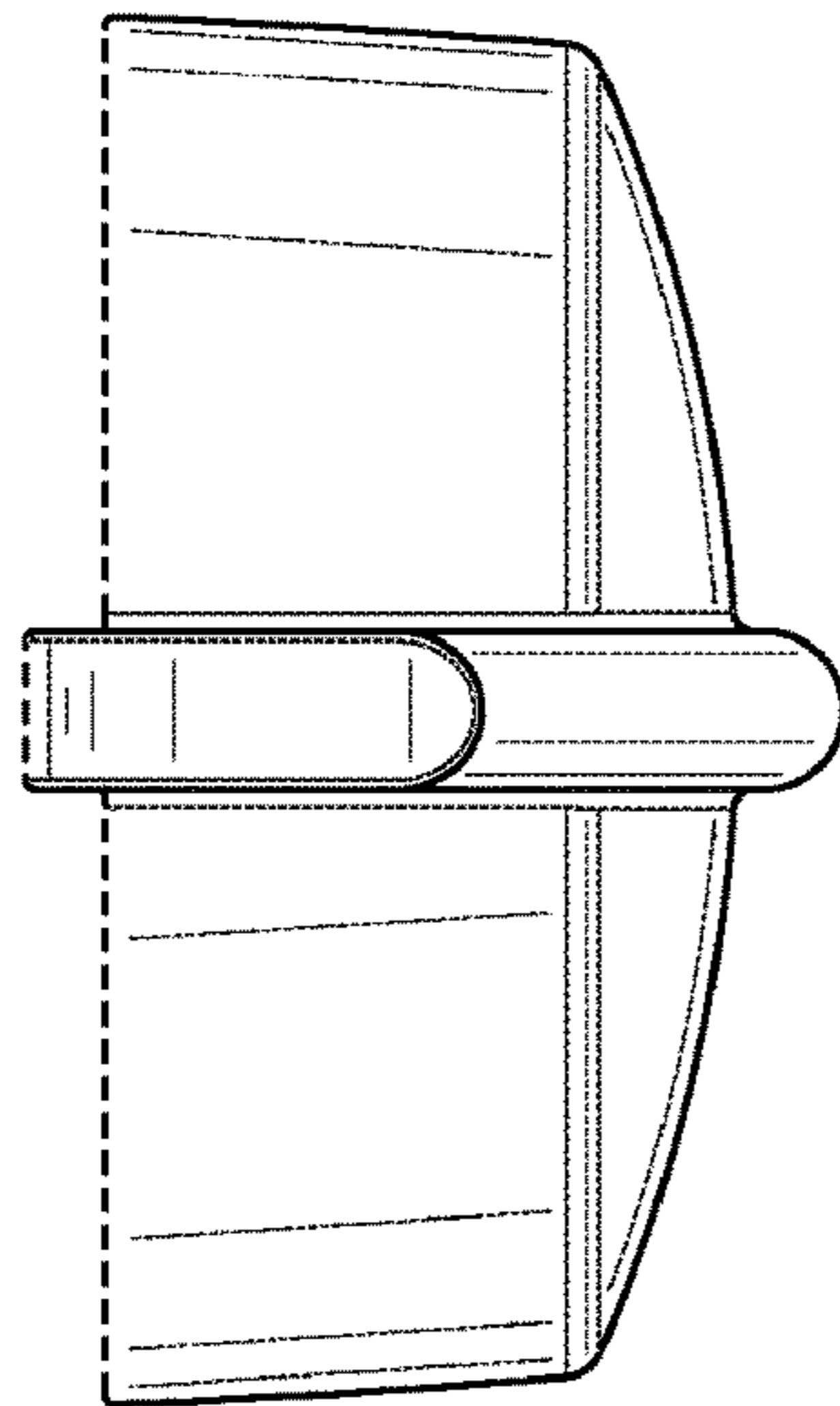


FIG. 4



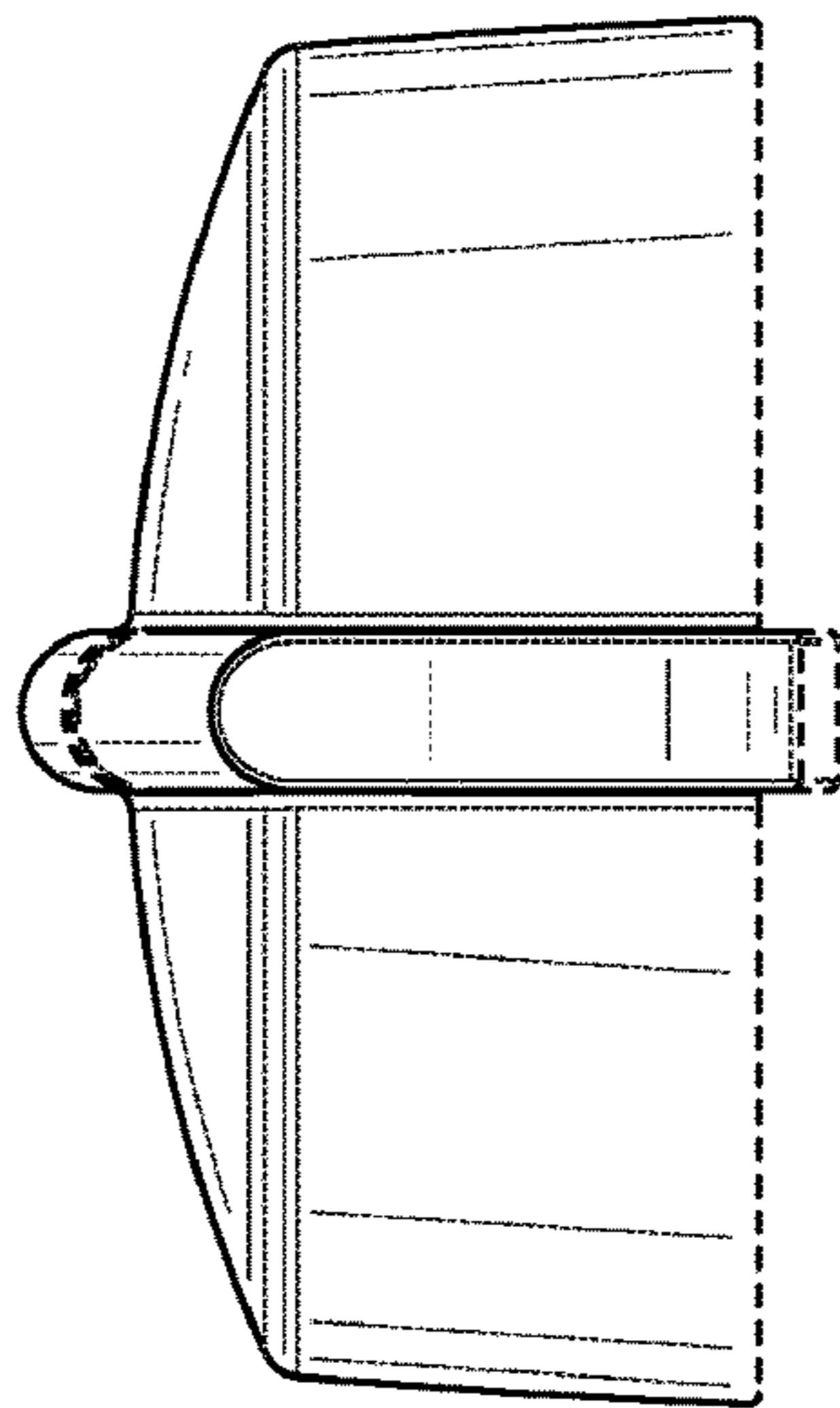


FIG. 5

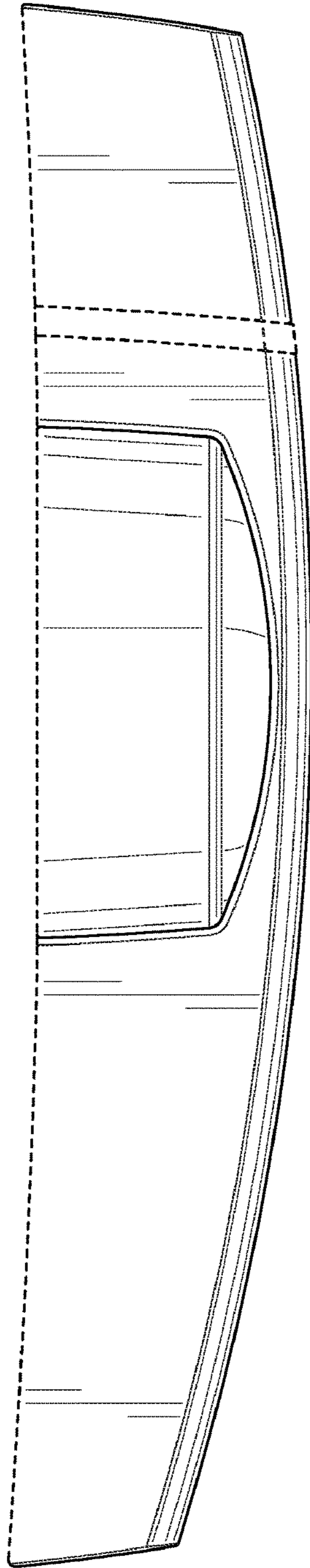


FIG. 6



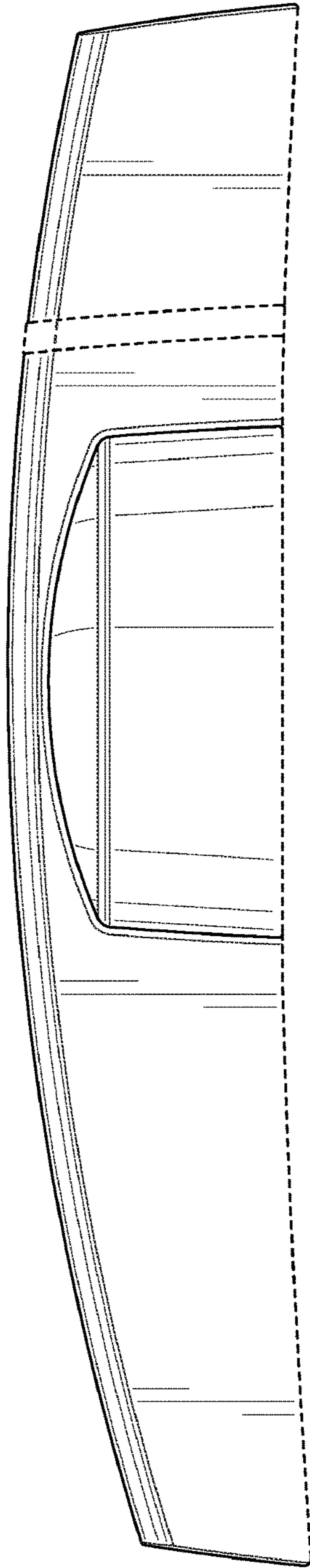


FIG. 7