



US00D855775S

(12) **United States Design Patent**
McKeone

(10) **Patent No.:** **US D855,775 S**

(45) **Date of Patent:** **** Aug. 6, 2019**

(54) **FAUCET HANDLE**

(71) Applicant: **Kohler Co.**, Kohler, WI (US)

(72) Inventor: **William C. McKeone**, Sheboygan, WI (US)

(73) Assignee: **KOHLER CO.**, Kohler, WI (US)

(**) Term: **15 Years**

(21) Appl. No.: **29/684,443**

(22) Filed: **Mar. 21, 2019**

Related U.S. Application Data

(62) Division of application No. 29/630,498, filed on Dec. 21, 2017.

(51) **LOC (12) Cl.** **23-01**

(52) **U.S. Cl.**
USPC **D23/250**

(58) **Field of Classification Search**
USPC D23/238–243, 249–250, 252, 254–255,
D23/257, 213, 223, 226, 229; D8/300,
D8/307–308

(Continued)

(56) **References Cited**

U.S. PATENT DOCUMENTS

3,726,318 A 4/1973 Hyde
D294,631 S 3/1988 Bourbon

(Continued)

Primary Examiner — Robert A Delehanty

(74) *Attorney, Agent, or Firm* — Foley & Lardner LLP

(57) **CLAIM**

I claim the ornamental design for a faucet handle, as shown and described.

DESCRIPTION

FIG. 1 is a perspective view of an embodiment of the claimed design;

FIG. 2 is a front view of the claimed design shown in FIG. 1;

FIG. 3 is a rear view of the claimed design shown in FIG. 1;

FIG. 4 is a top view of the claimed design shown in FIG. 1;

FIG. 5 is a bottom view of the claimed design shown in FIG. 1;

FIG. 6 is a side view of the claimed design shown in FIG. 1;

FIG. 7 is another side view of the claimed design shown in FIG. 1;

FIG. 8 is a perspective view of another embodiment of the claimed design;

FIG. 9 is a front view of the claimed design shown in FIG. 8;

FIG. 10 is a rear view of the claimed design shown in FIG. 8;

FIG. 11 is a top view of the claimed design shown in FIG. 8;

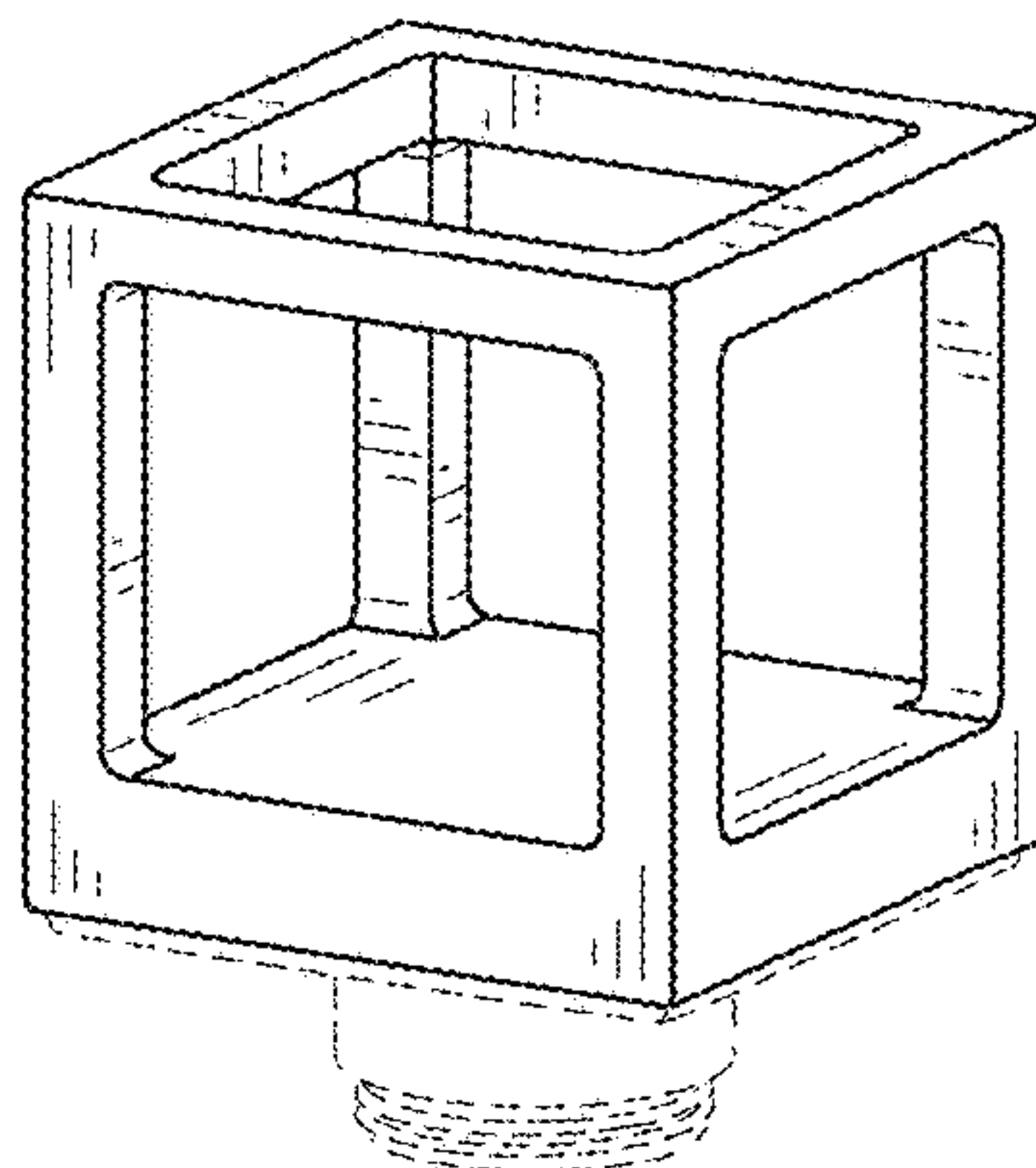
FIG. 12 is a bottom view of the claimed design shown in FIG. 8;

FIG. 13 is a side view of the claimed design shown in FIG. 8; and,

FIG. 14 is another side view of the claimed design shown in FIG. 8.

The ornamental design that is claimed is shown in the drawings as solid lines and surfaces having surface shading. The broken lines in the drawings are for illustrative purposes only and form no part of the claimed design. For example, broken lines formed by equal length dashes show unclaimed portions of the design. Broken lines formed of unequal length dashes (i.e., dash-dot) show boundaries between either claimed and unclaimed portions of the design or between unclaimed and unclaimed portions of the design. Break lines having a jagged element are not part of the claimed design and show that differing lengths (e.g., longer, shorter, etc.) of any portion (e.g., feature) split by a break line are possible.

1 Claim, 8 Drawing Sheets



(58) **Field of Classification Search**

CPC ... Y10T 137/9464; E03C 1/04; E03C 1/0401;
E03C 1/0402; E03C 1/0404; E03C
1/0405; E03C 1/0412; E03C 1/0413;
E03C 1/0409; E03C 1/042

See application file for complete search history.

(56) **References Cited**

U.S. PATENT DOCUMENTS

D304,225 S	10/1989	Lathrop
D516,185 S	2/2006	Hanna
D665,881 S	8/2012	Flowers
D705,639 S	5/2014	Kaishian
D737,941 S	9/2015	Eads
D759,212 S	6/2016	Eads
D810,243 S	2/2018	Schoenherr

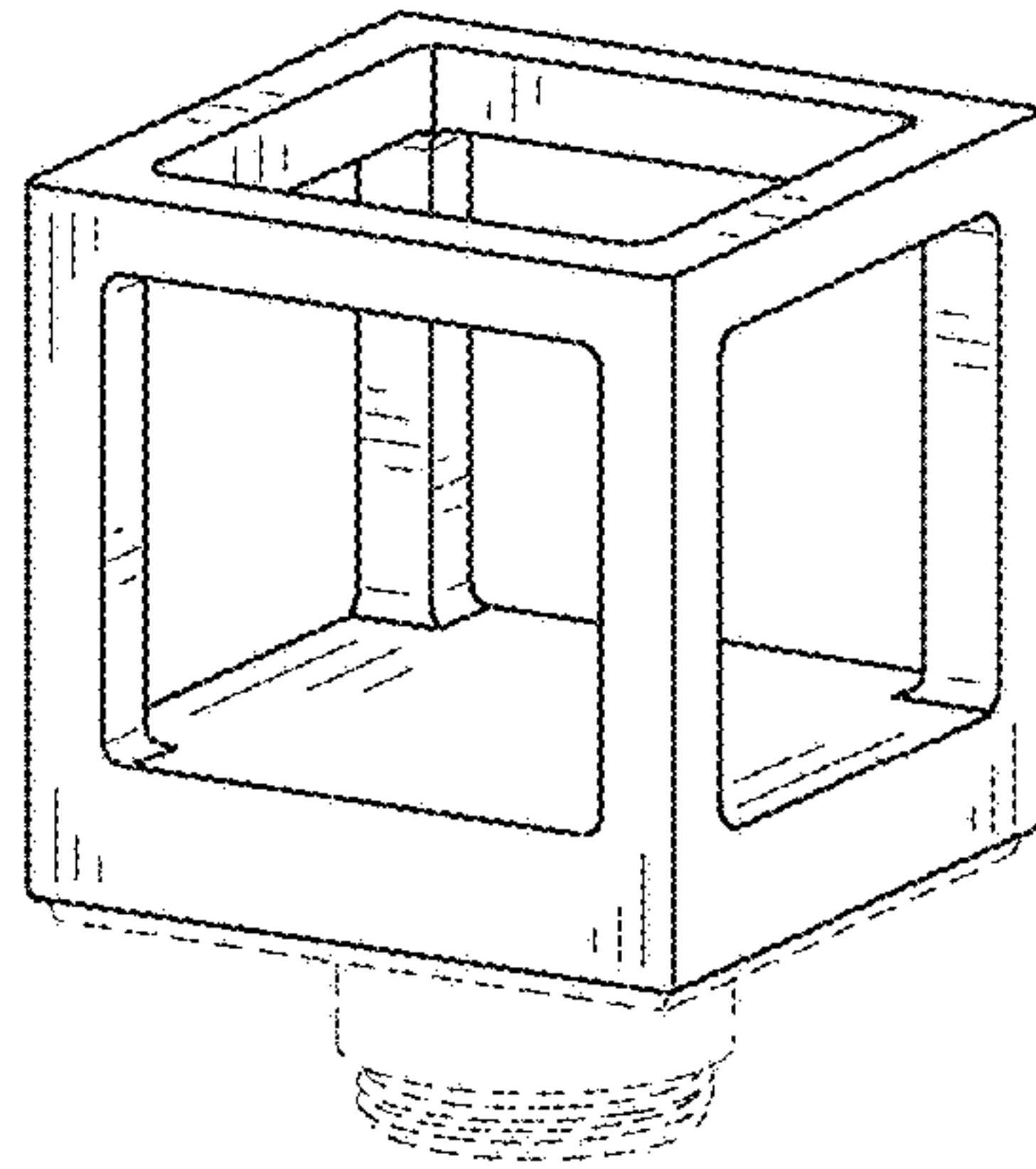


FIG. 1

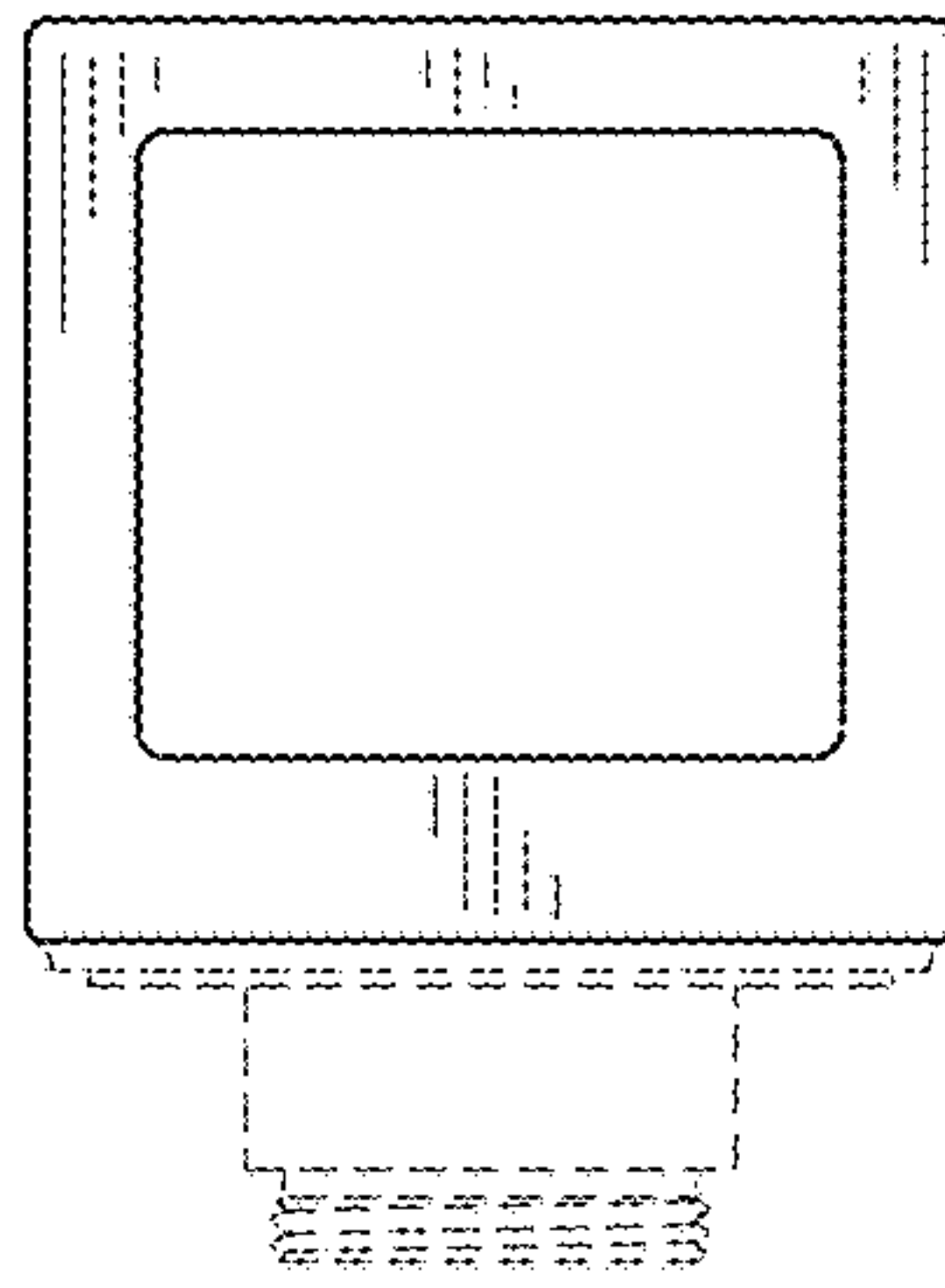


FIG. 2

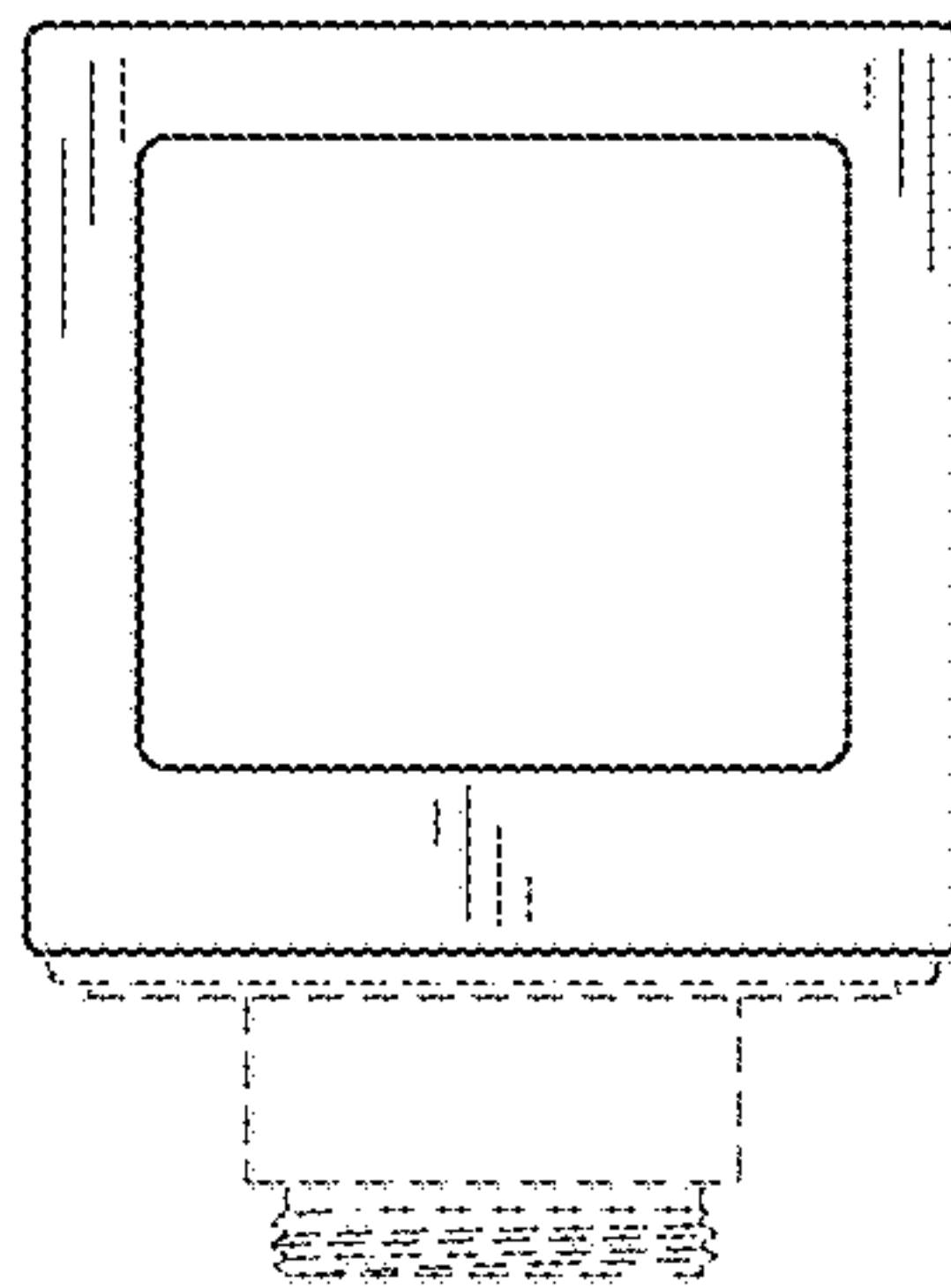


FIG. 3

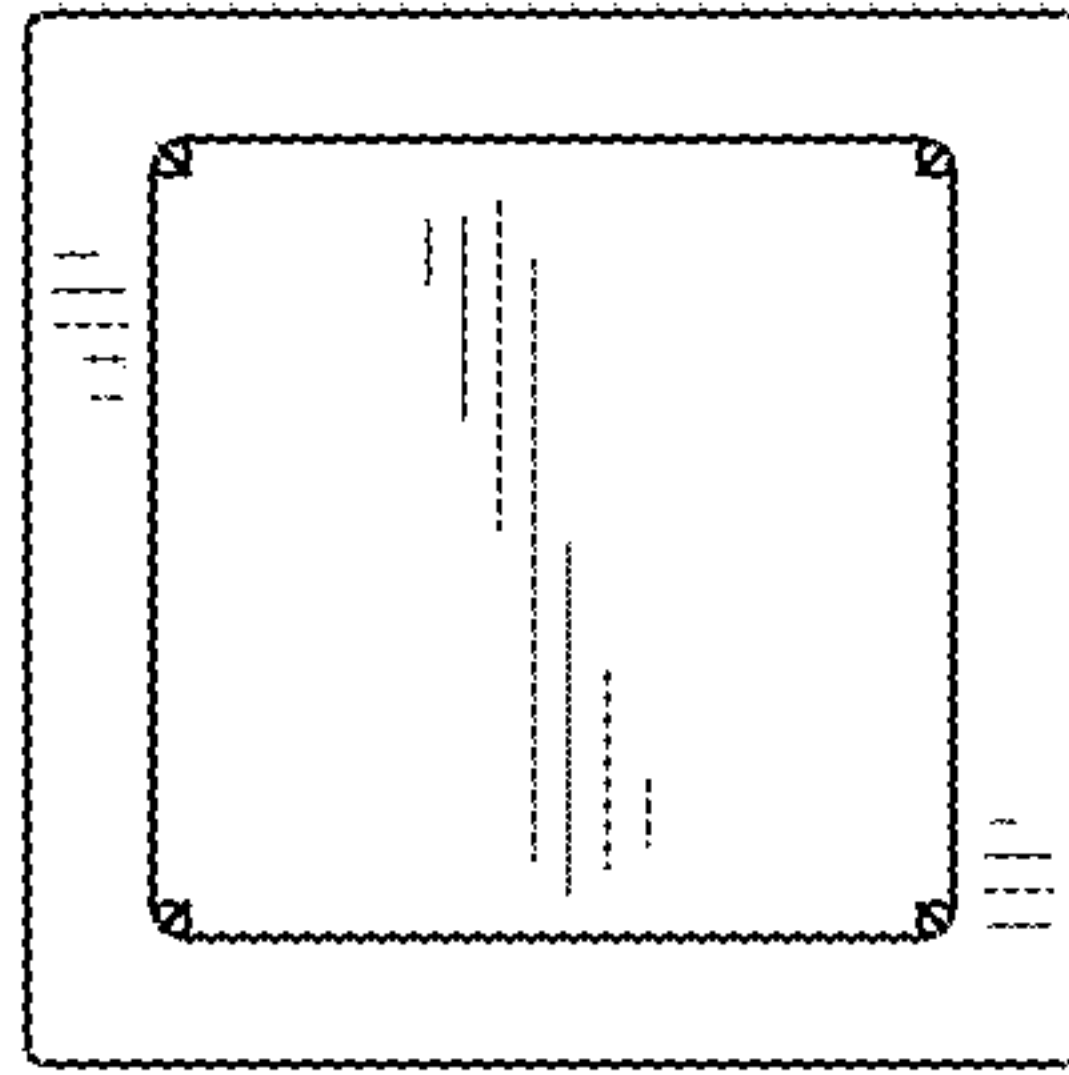


FIG. 4

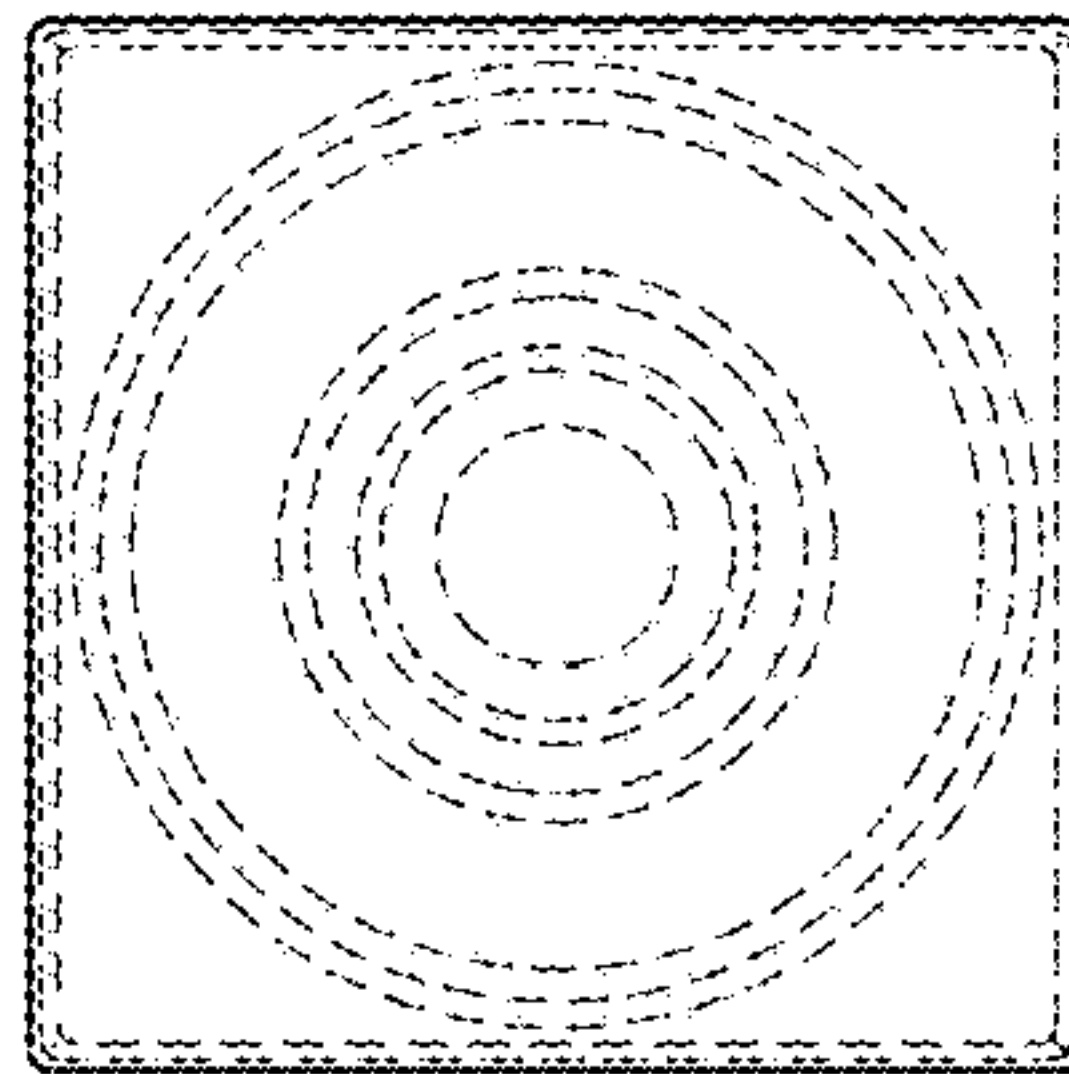


FIG. 5

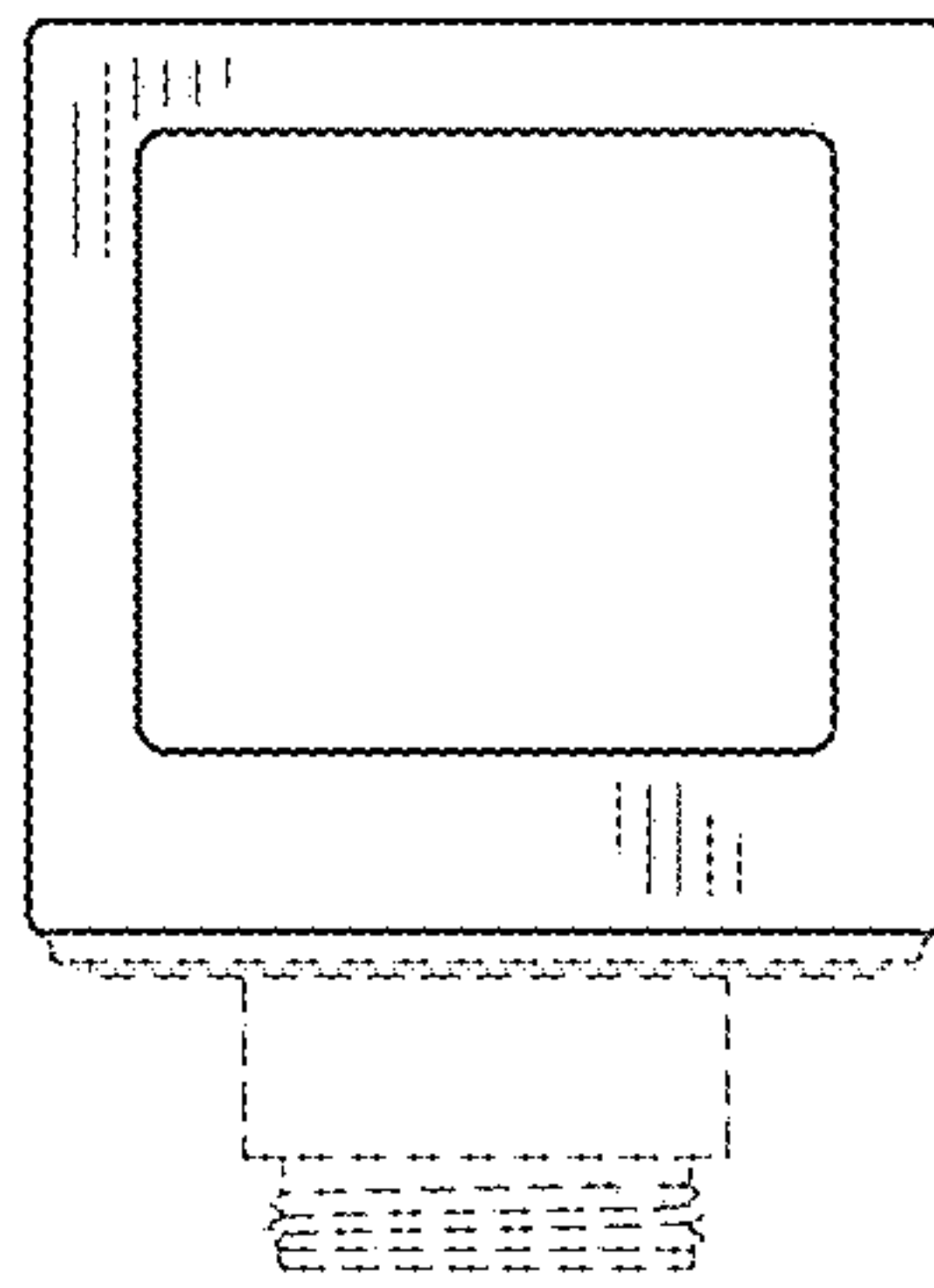


FIG. 6

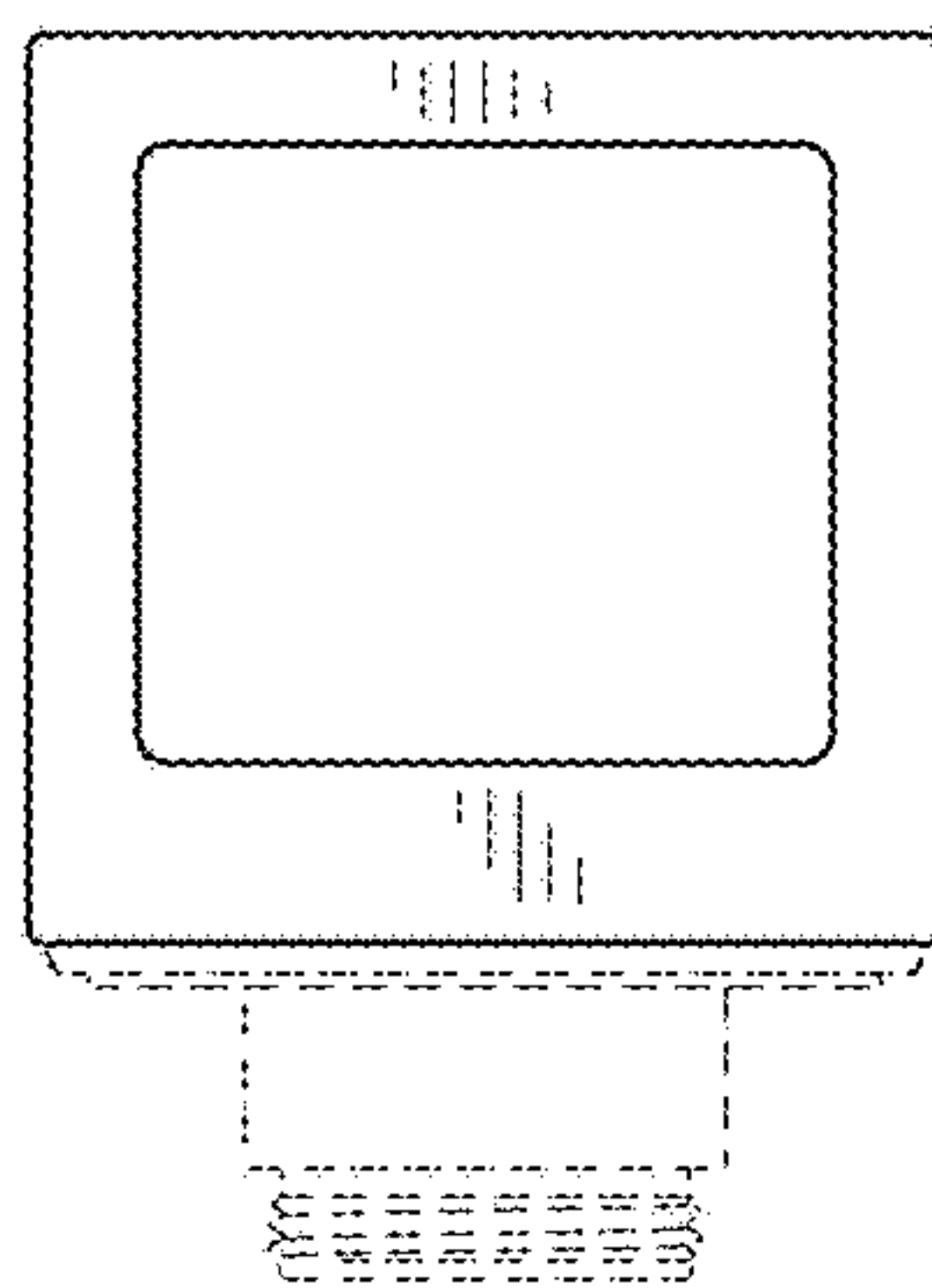


FIG. 7

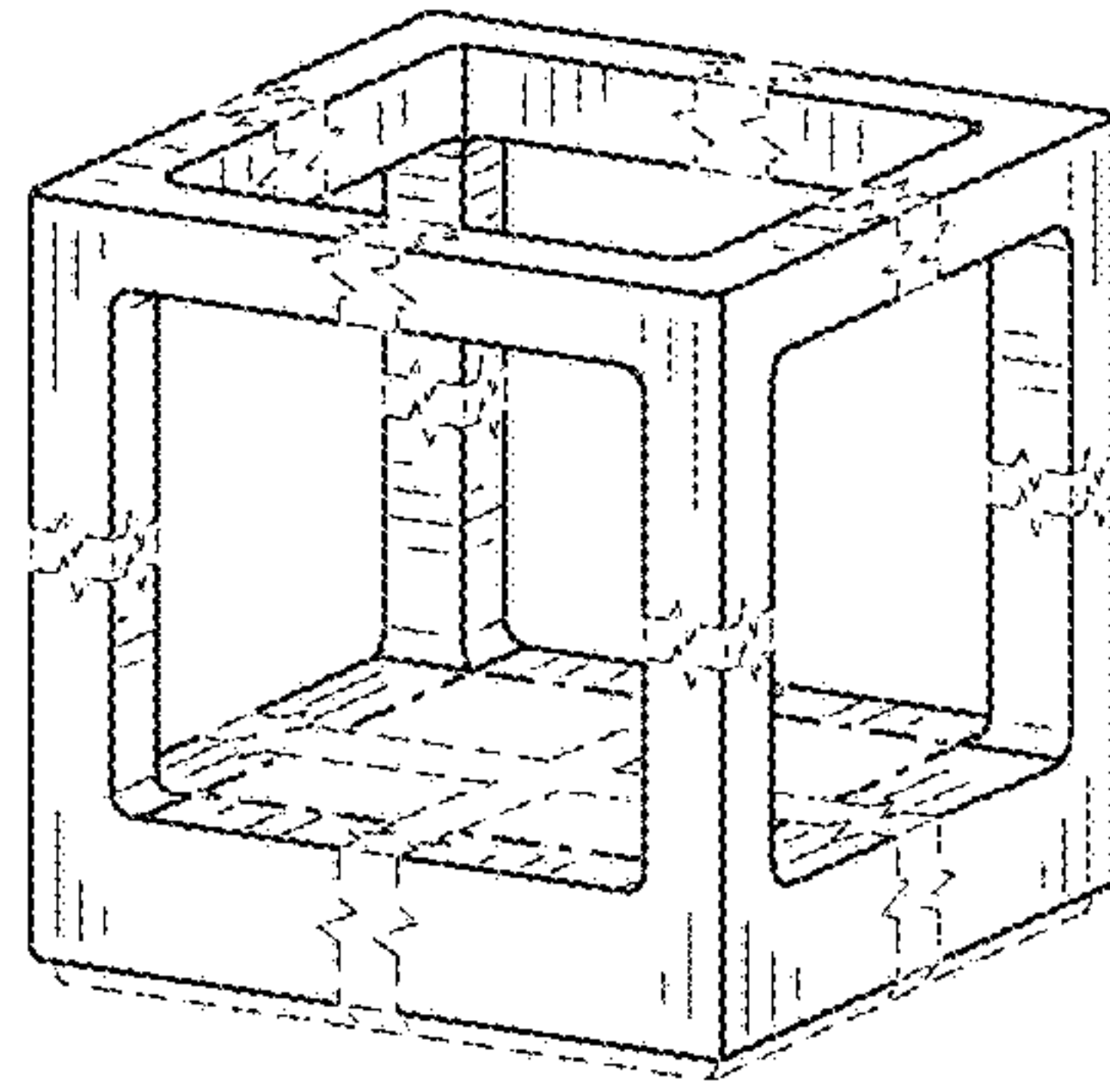


FIG. 8

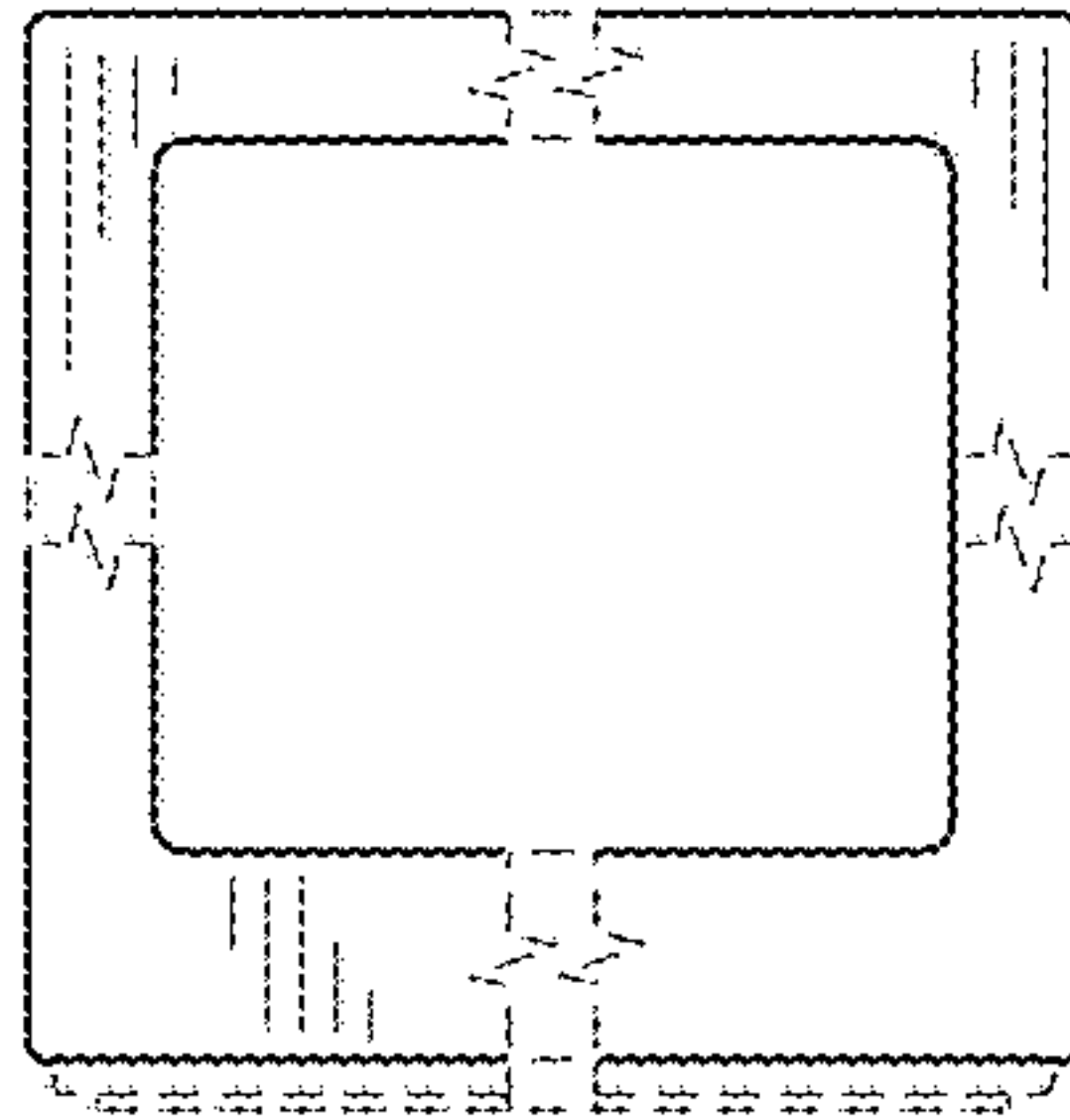


FIG. 9

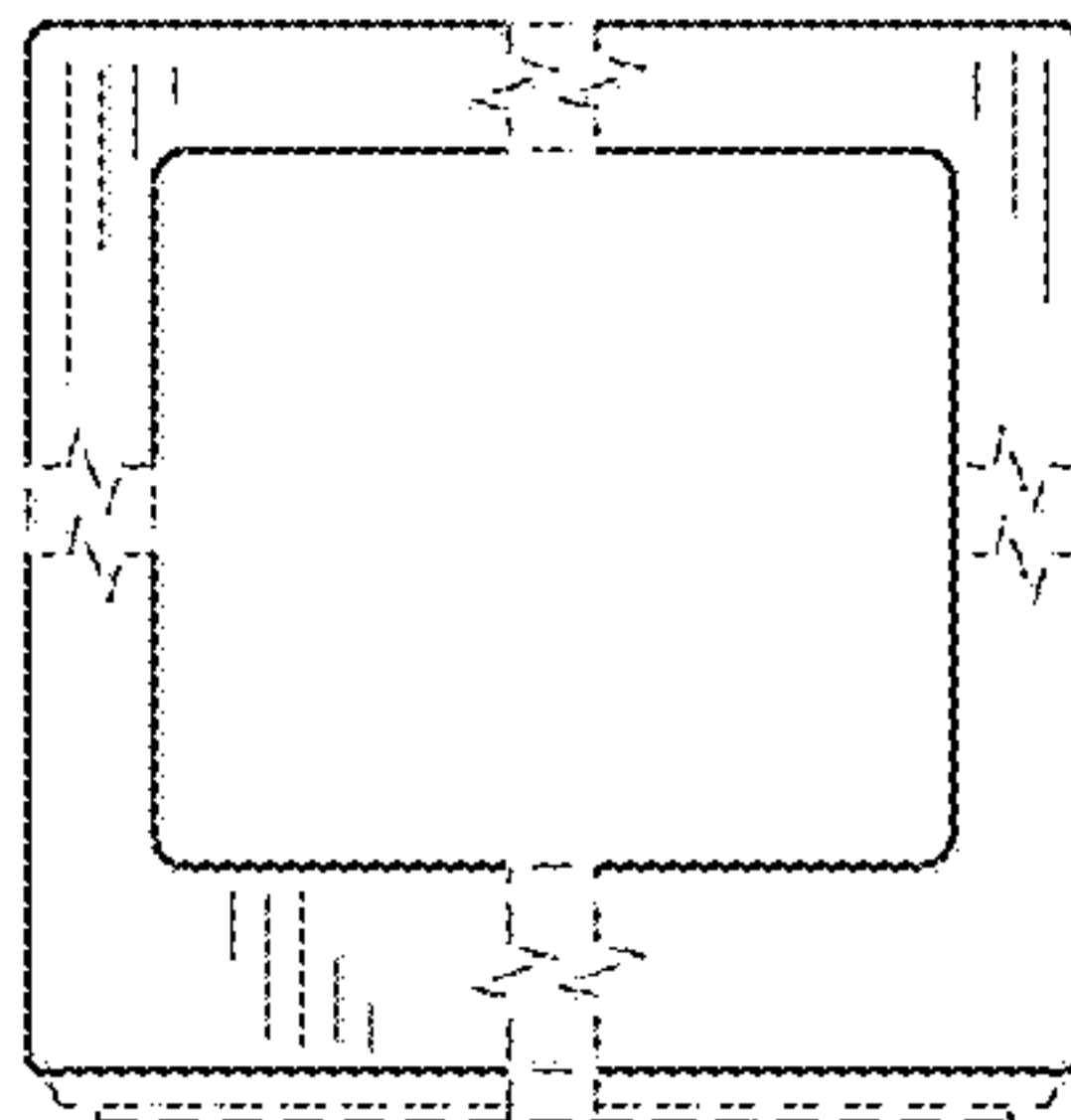


FIG. 10

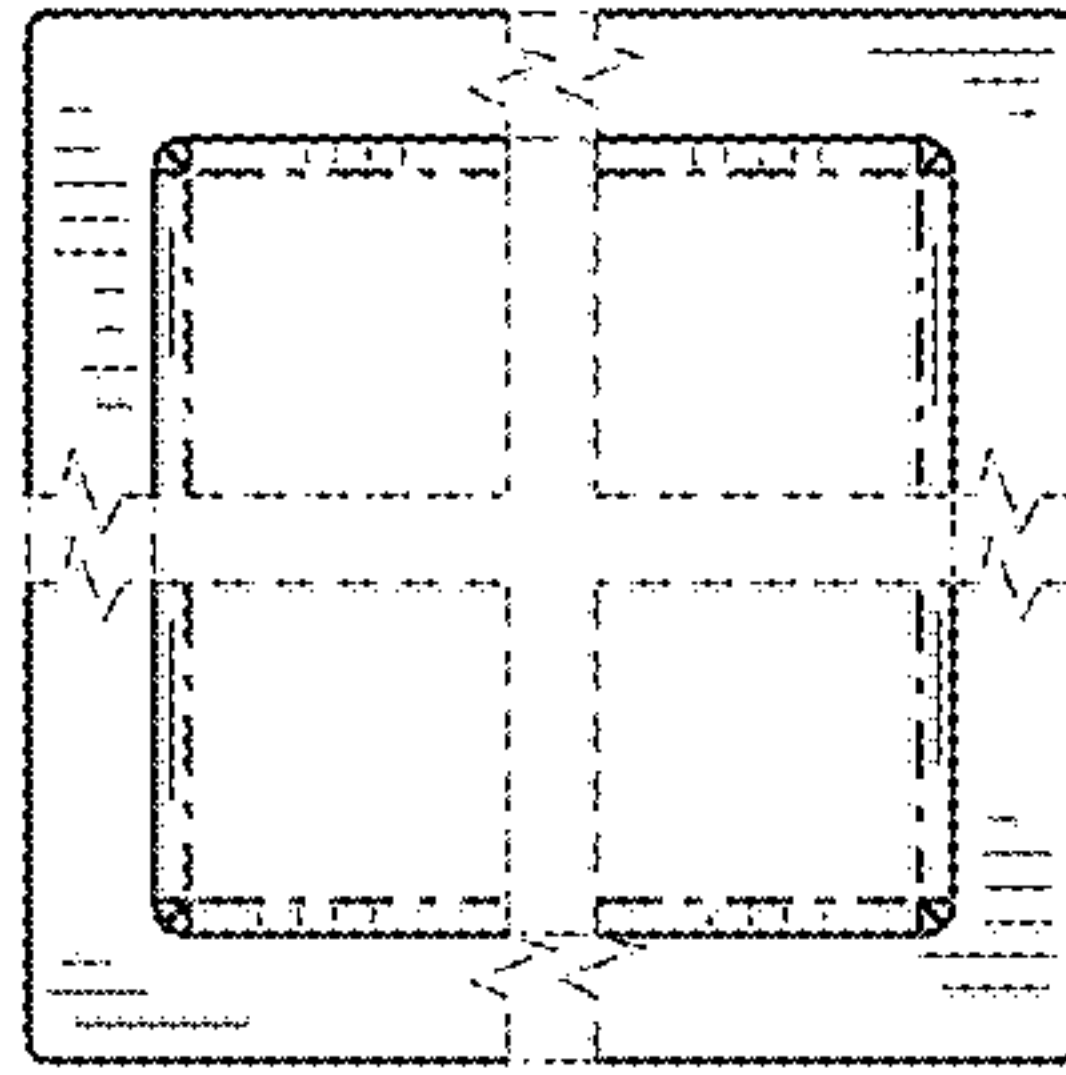


FIG. 11

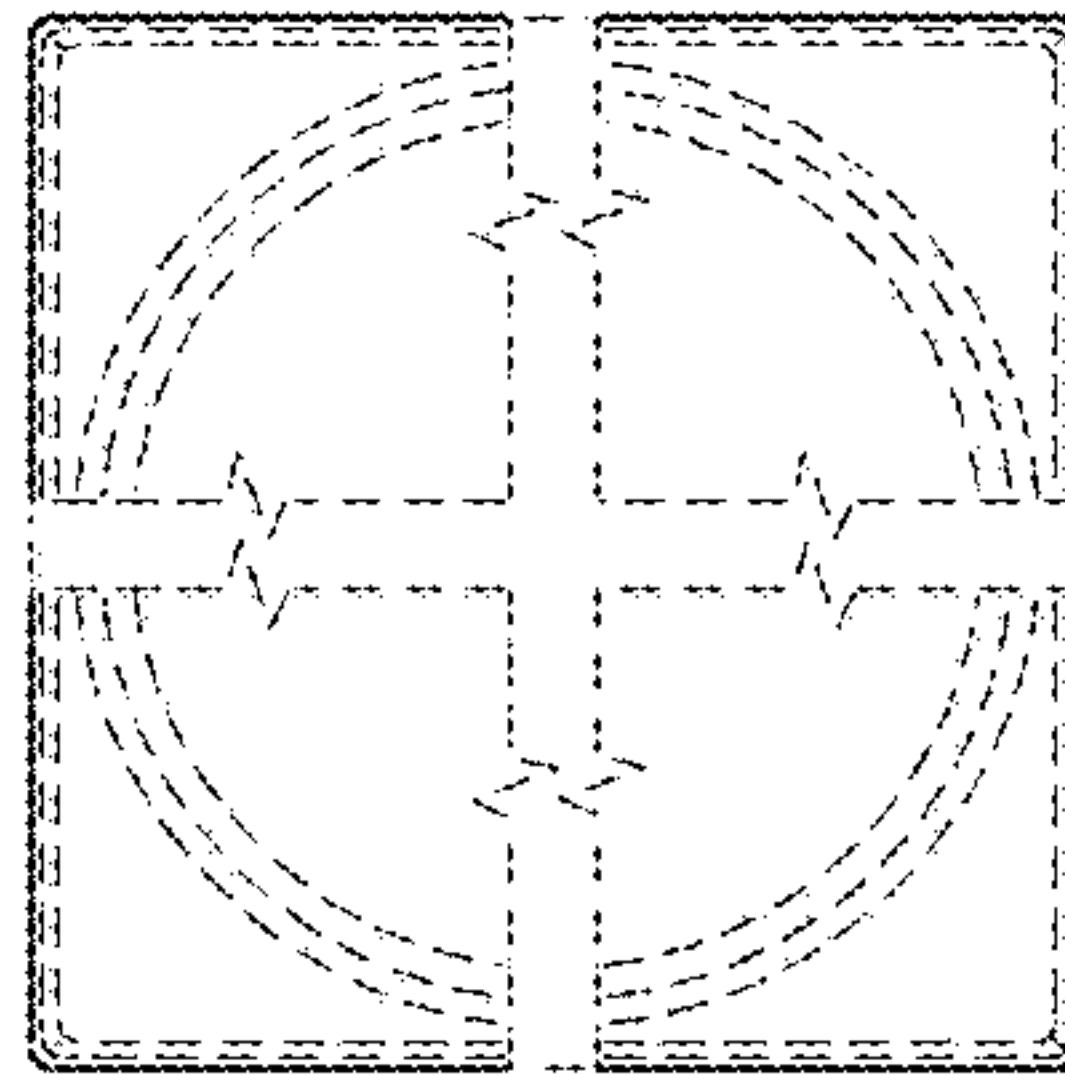


FIG. 12

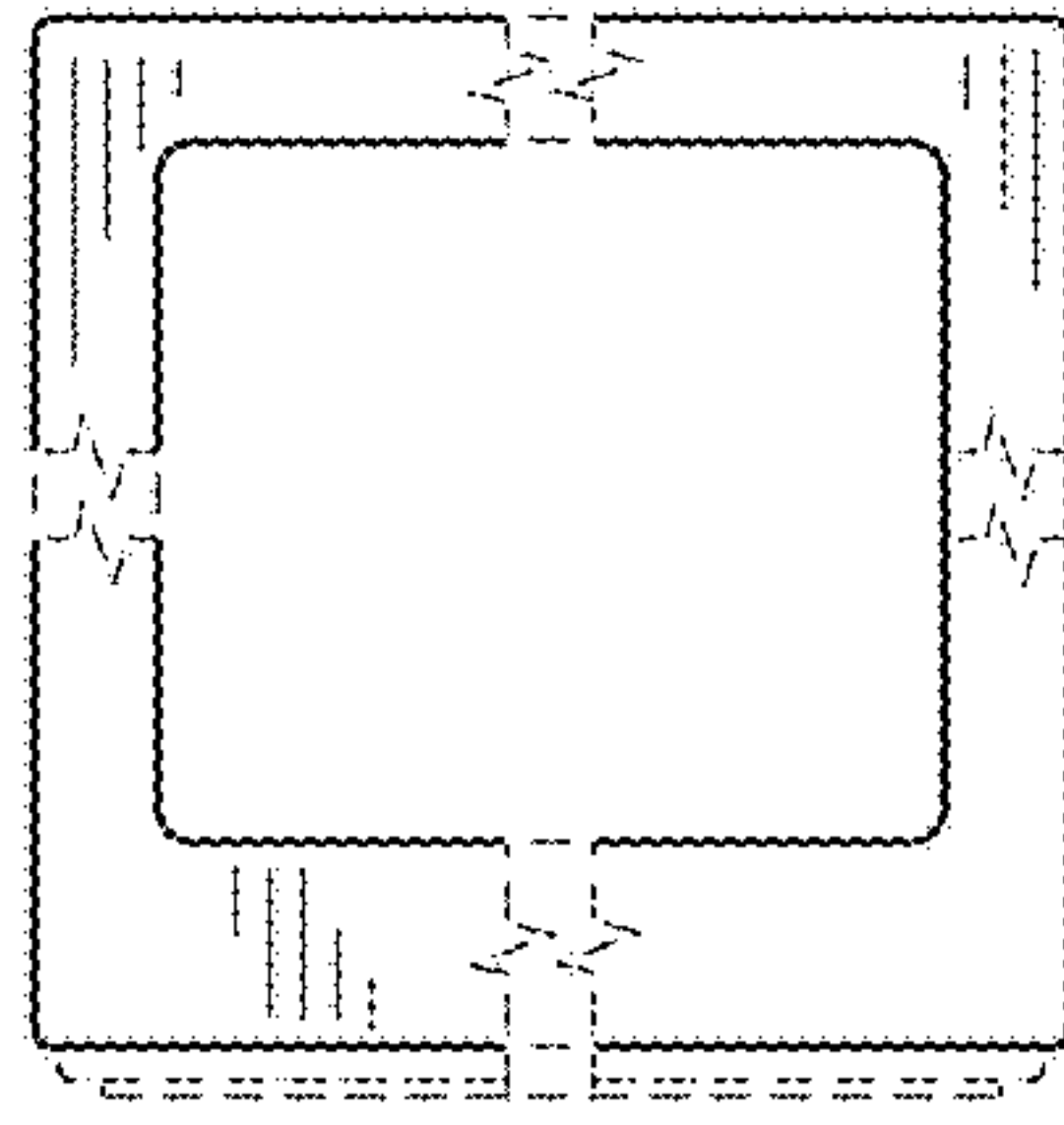


FIG. 13

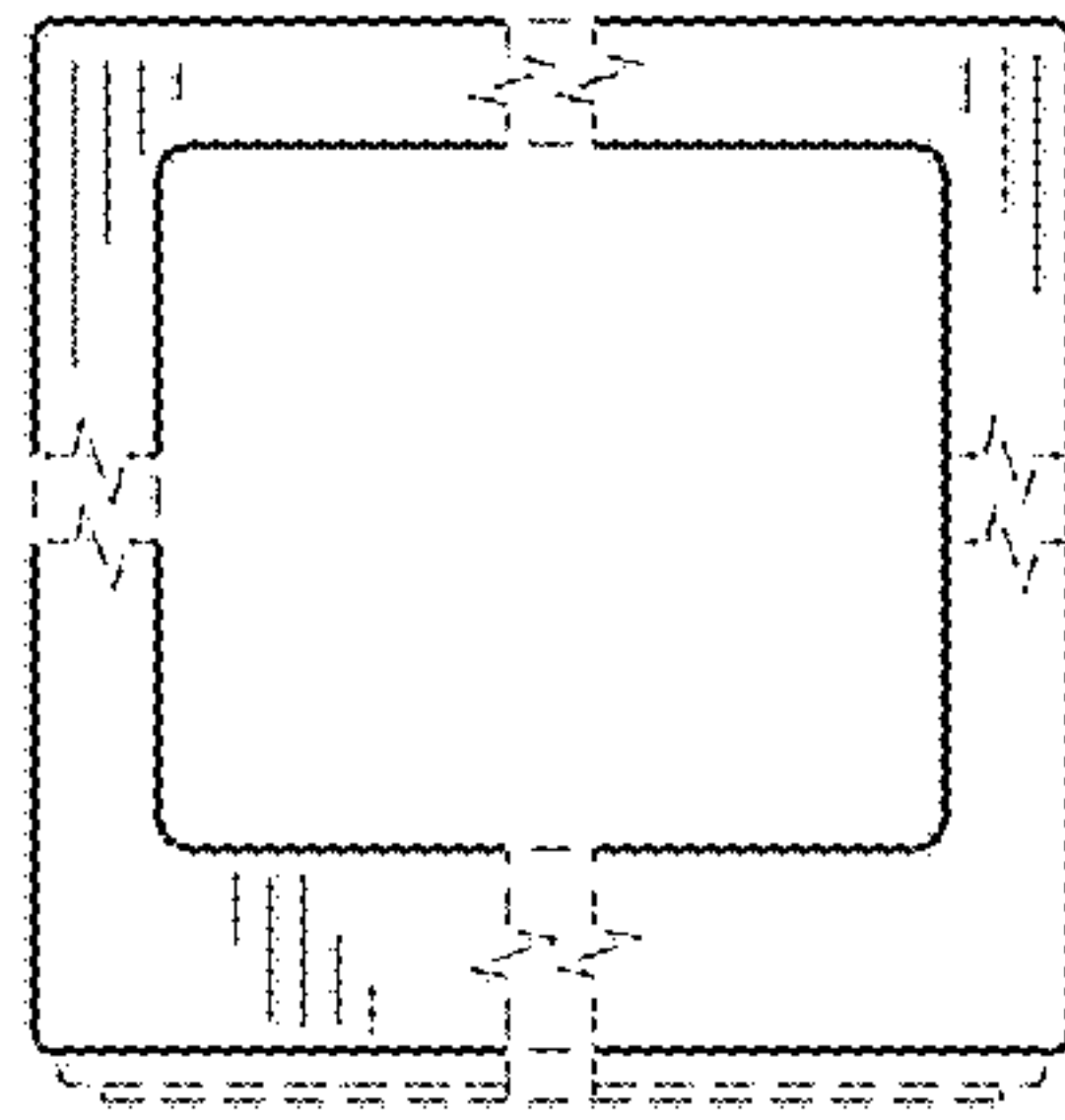


FIG. 14