



US00D855774S

(12) **United States Design Patent** (10) **Patent No.:** **US D855,774 S**
Seum et al. (45) **Date of Patent:** **** Aug. 6, 2019**

(54) **FAUCET**

(71) Applicant: **GROHE AG**, Hemer (DE)

(72) Inventors: **Michael Seum**, Duesseldorf (DE);
Jung-Beom Han, Duesseldorf (DE)

(73) Assignee: **Grohe AG**, Hemer (DE)

(**) Term: **15 Years**

(21) Appl. No.: **29/634,318**

(22) Filed: **Jan. 19, 2018**

(30) **Foreign Application Priority Data**

Jul. 20, 2017 (EM) 004112647-0009

(51) **LOC (12) Cl.** **23-01**

(52) **U.S. Cl.**

USPC **D23/242**

(58) **Field of Classification Search**

USPC D23/238-243, 245, 249-250, 252, 255,
D23/257; D8/307-308

CPC Y10T 137/9464; Y10T 137/6064; E03C
1/04; E03C 1/0404; E03C 1/0412; E03C
1/0409; E03C 1/042; E03C 1/02; E03C
2001/0414

See application file for complete search history.

(56) **References Cited**

U.S. PATENT DOCUMENTS

D235,643 S * 7/1975 Zimmerman D23/245
D456,878 S * 5/2002 Gottwald D23/238

D469,157 S * 1/2003 Lobermeier D23/238
D479,579 S * 9/2003 Haug D23/238
D527,076 S * 8/2006 Kolin D23/241
D568,447 S * 5/2008 Lai D23/252
D576,707 S * 9/2008 Schonherr D23/238
D685,878 S * 7/2013 Fritz D23/238
9,551,136 B2 * 1/2017 Keiter E03C 1/0404
D802,722 S * 11/2017 Flowers D23/252

* cited by examiner

Primary Examiner — Robert A Delehanty

(74) *Attorney, Agent, or Firm* — Muncy, Geissler, Olds & Lowe, P.C.

(57) **CLAIM**

The ornamental design for a faucet, as shown and described.

DESCRIPTION

FIG. 1 is a front perspective view of a faucet according to the present invention.

FIG. 2 is a front view of the faucet of FIG. 1.

FIG. 3 is a rear view of the faucet of FIG. 1.

FIG. 4 is a left side view of the faucet of FIG. 1.

FIG. 5 is a right side view of the faucet of FIG. 1.

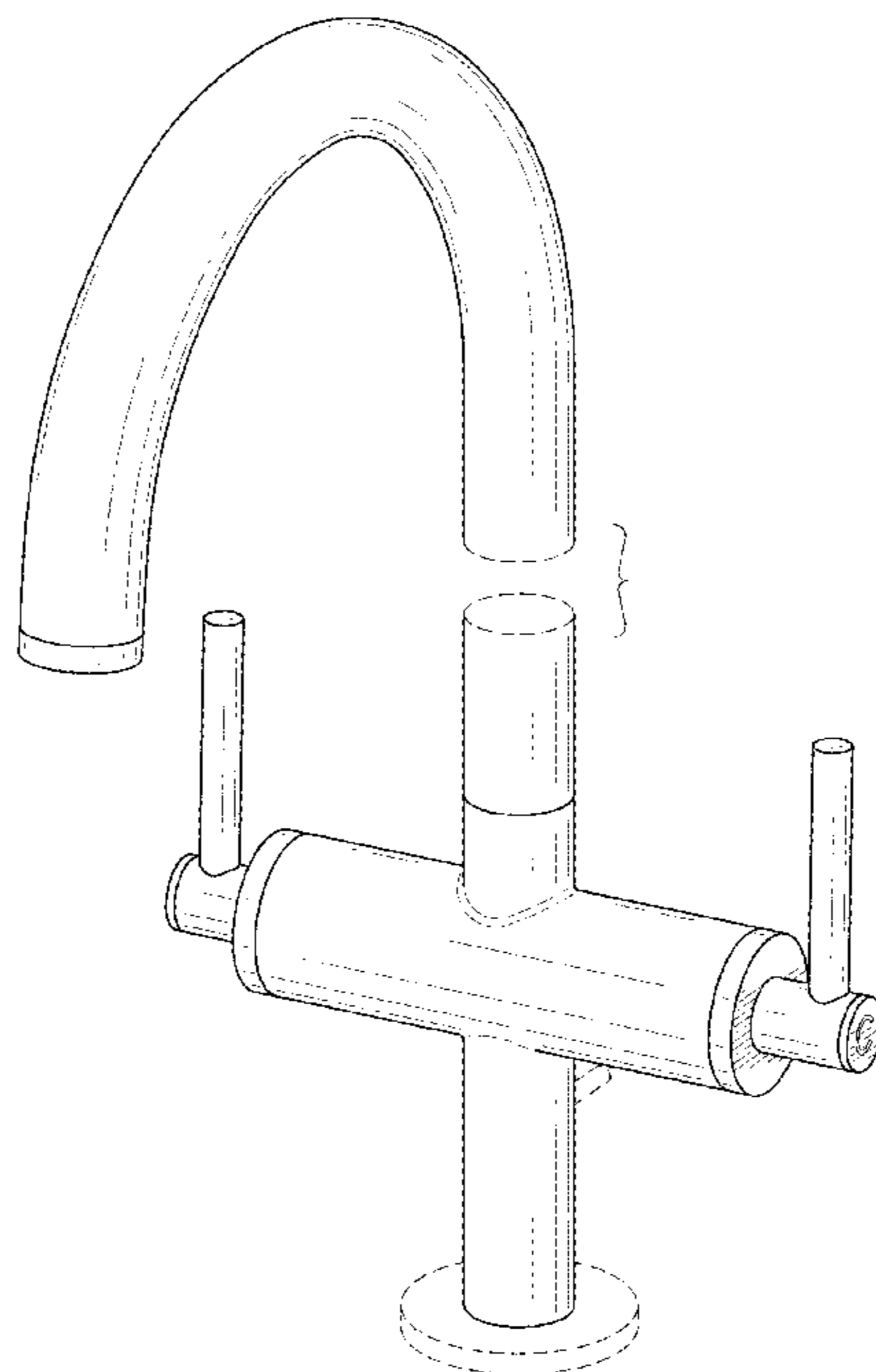
FIG. 6 is a top view of the faucet of FIG. 1; and,

FIG. 7 is a bottom view of the faucet of FIG. 1.

The dashed lines illustrate environment that does not form a part of the present invention, and no claim is made to the material illustrated with dashed lines.

The appearance of any portion of the article between the broken away symbols forms no part of the claimed design.

1 Claim, 7 Drawing Sheets



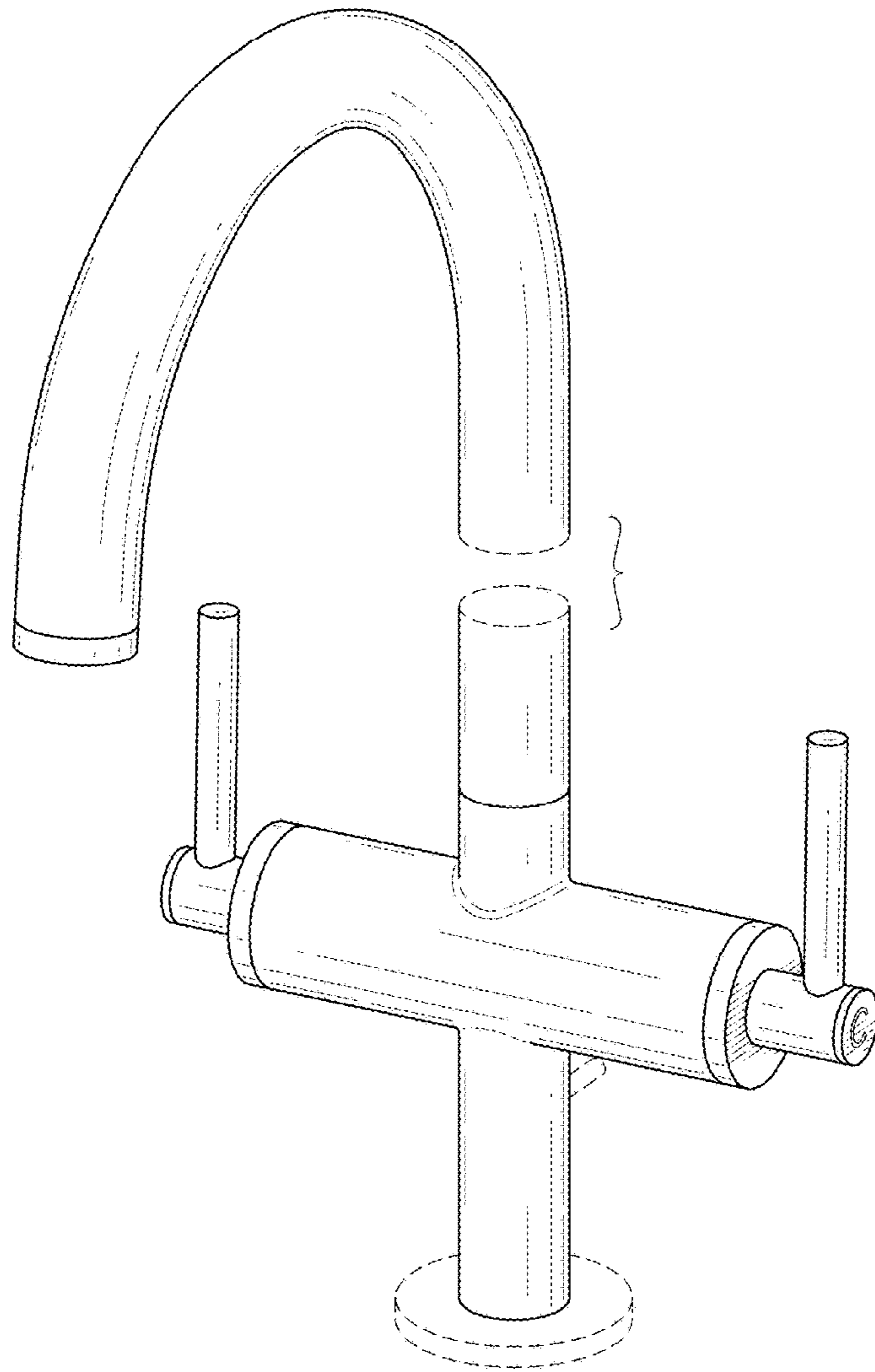


FIG. 1

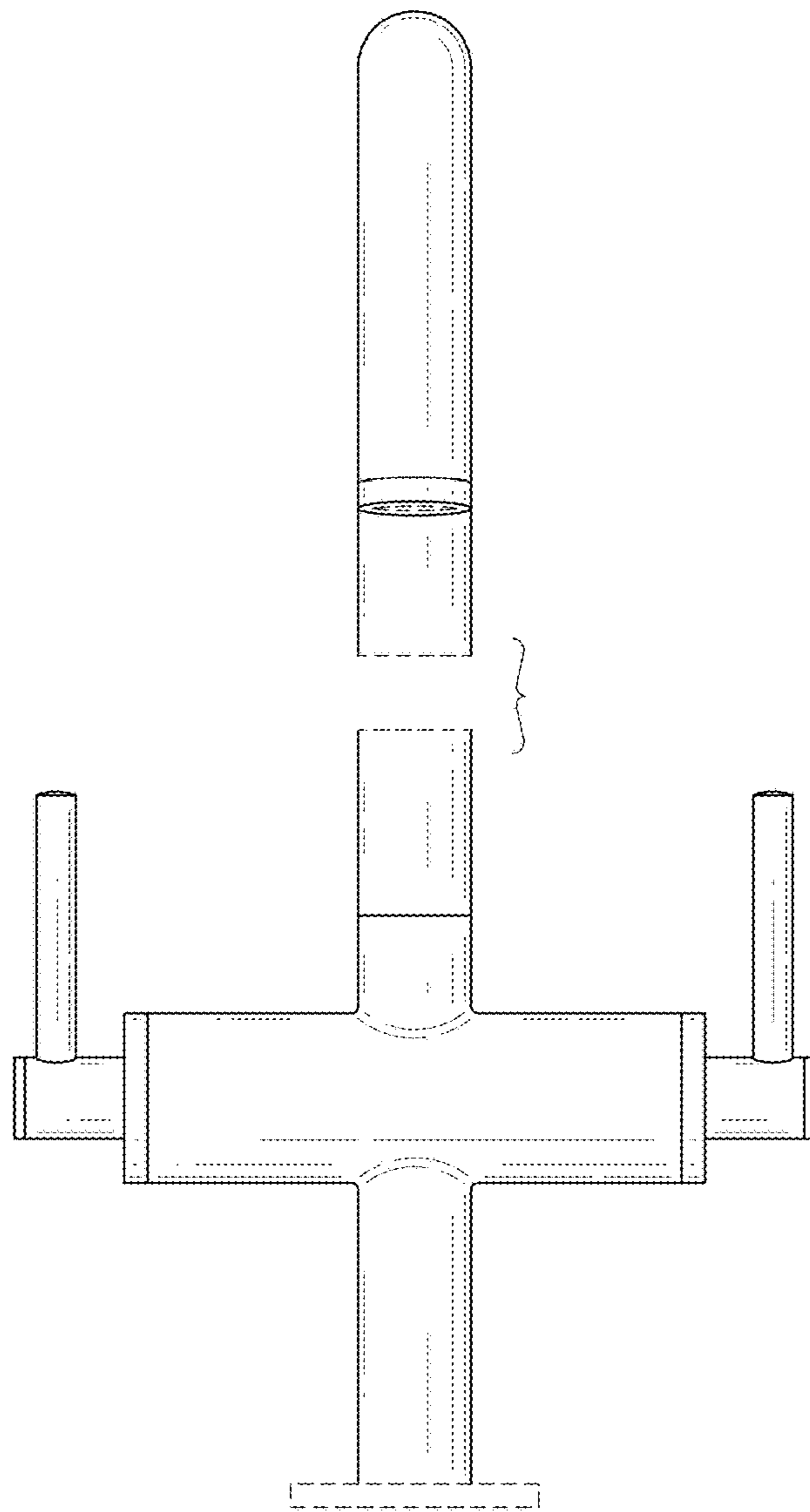


FIG.2

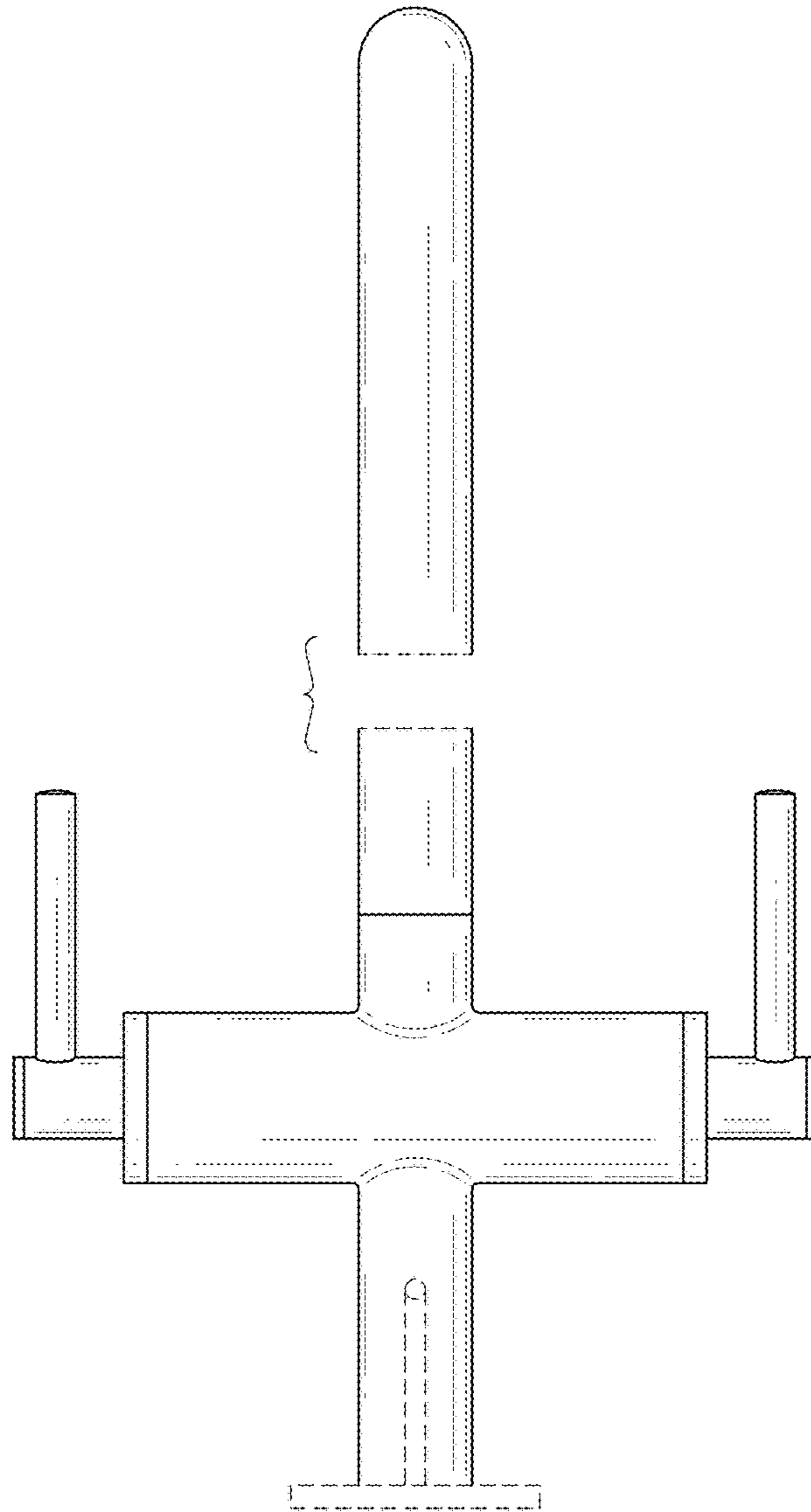


FIG.3

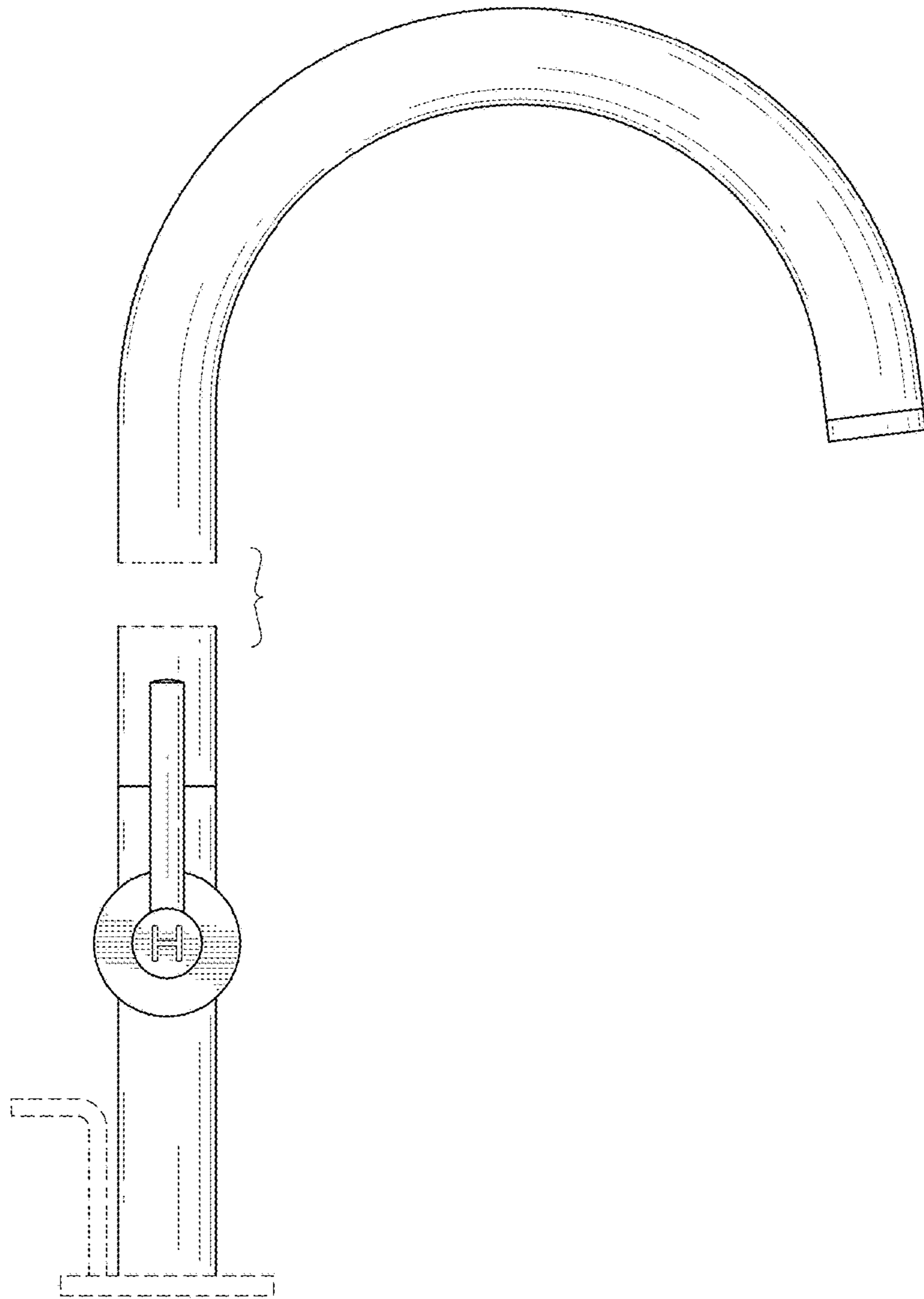


FIG.4

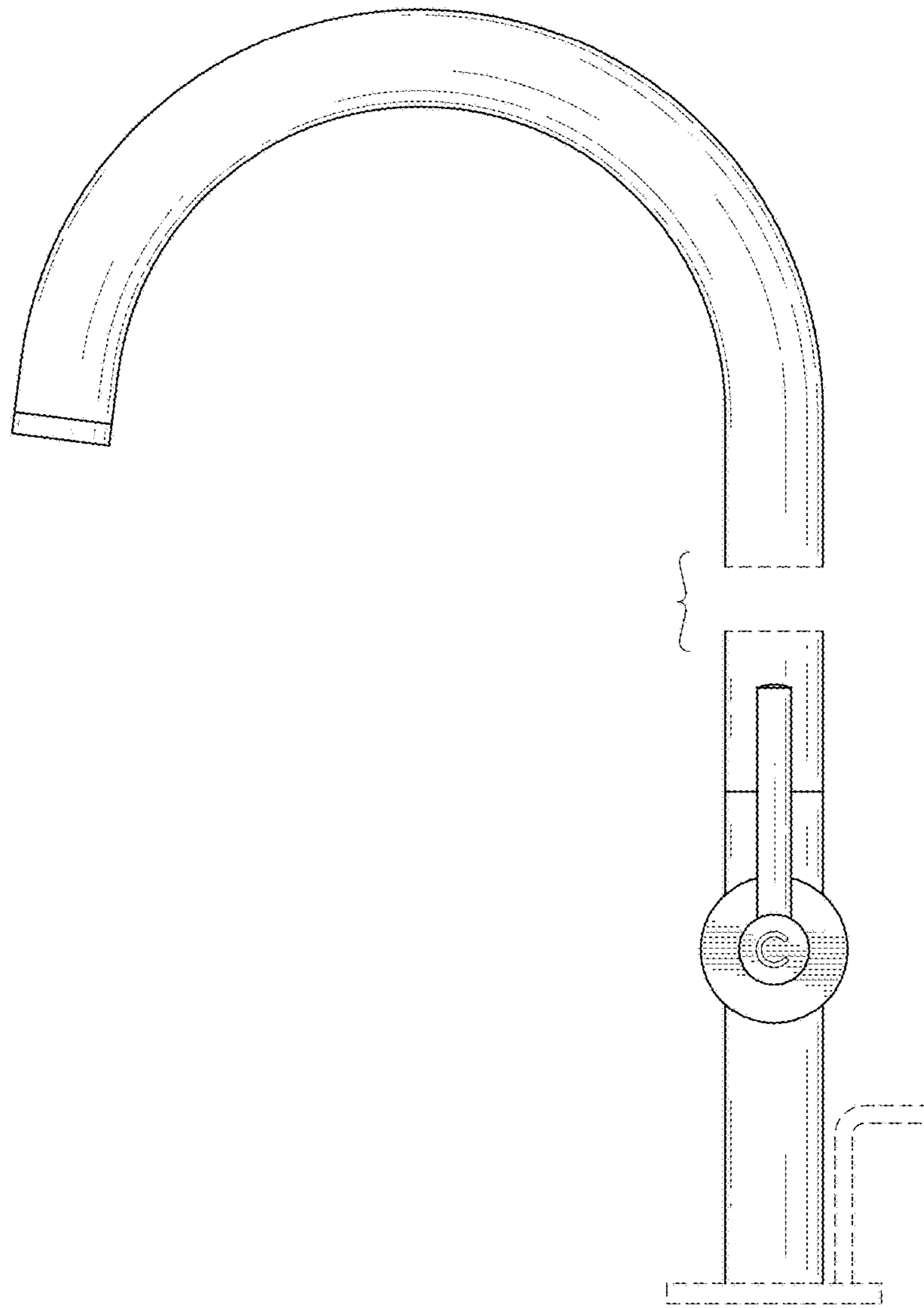


FIG.5

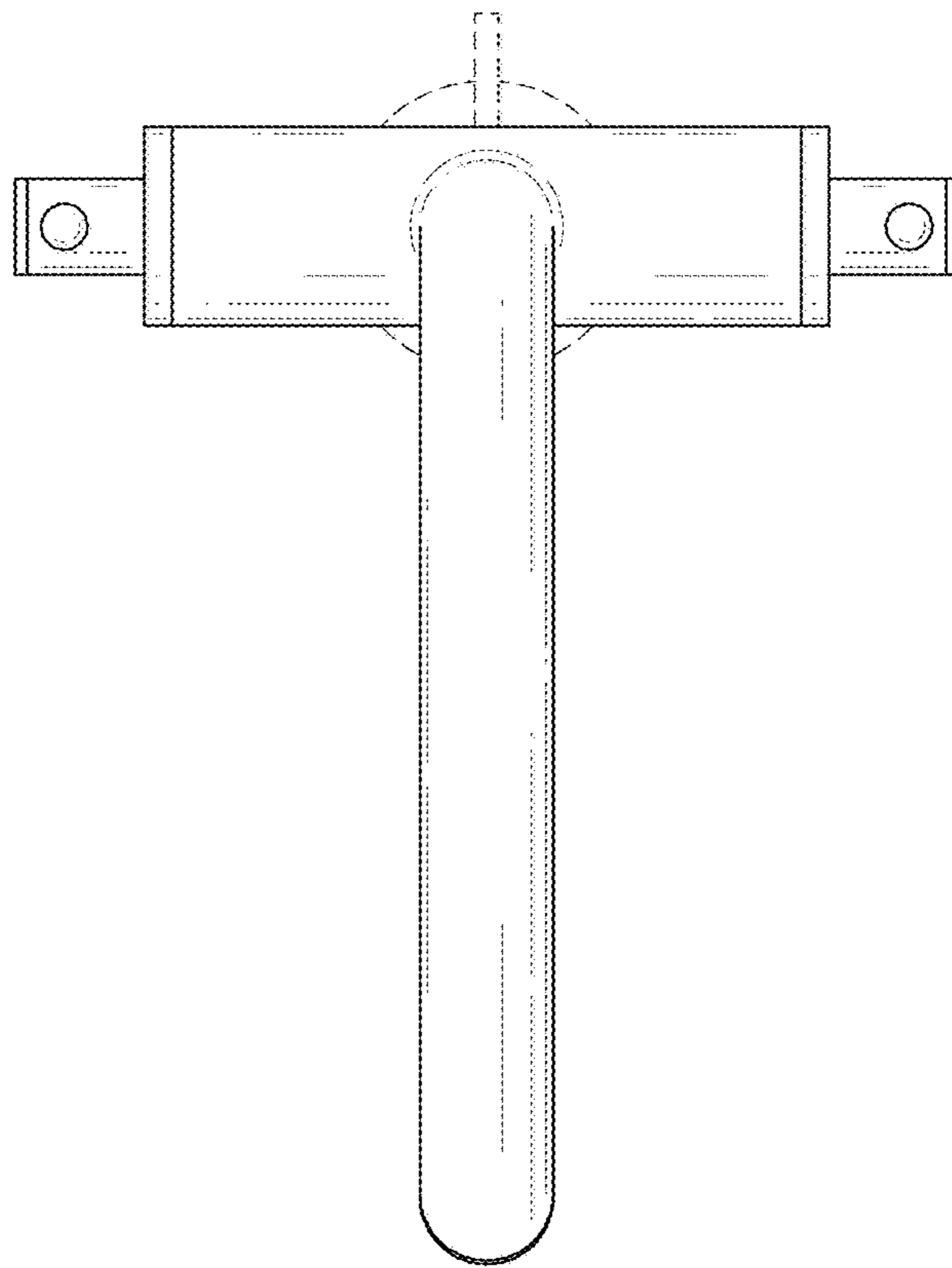


FIG.6

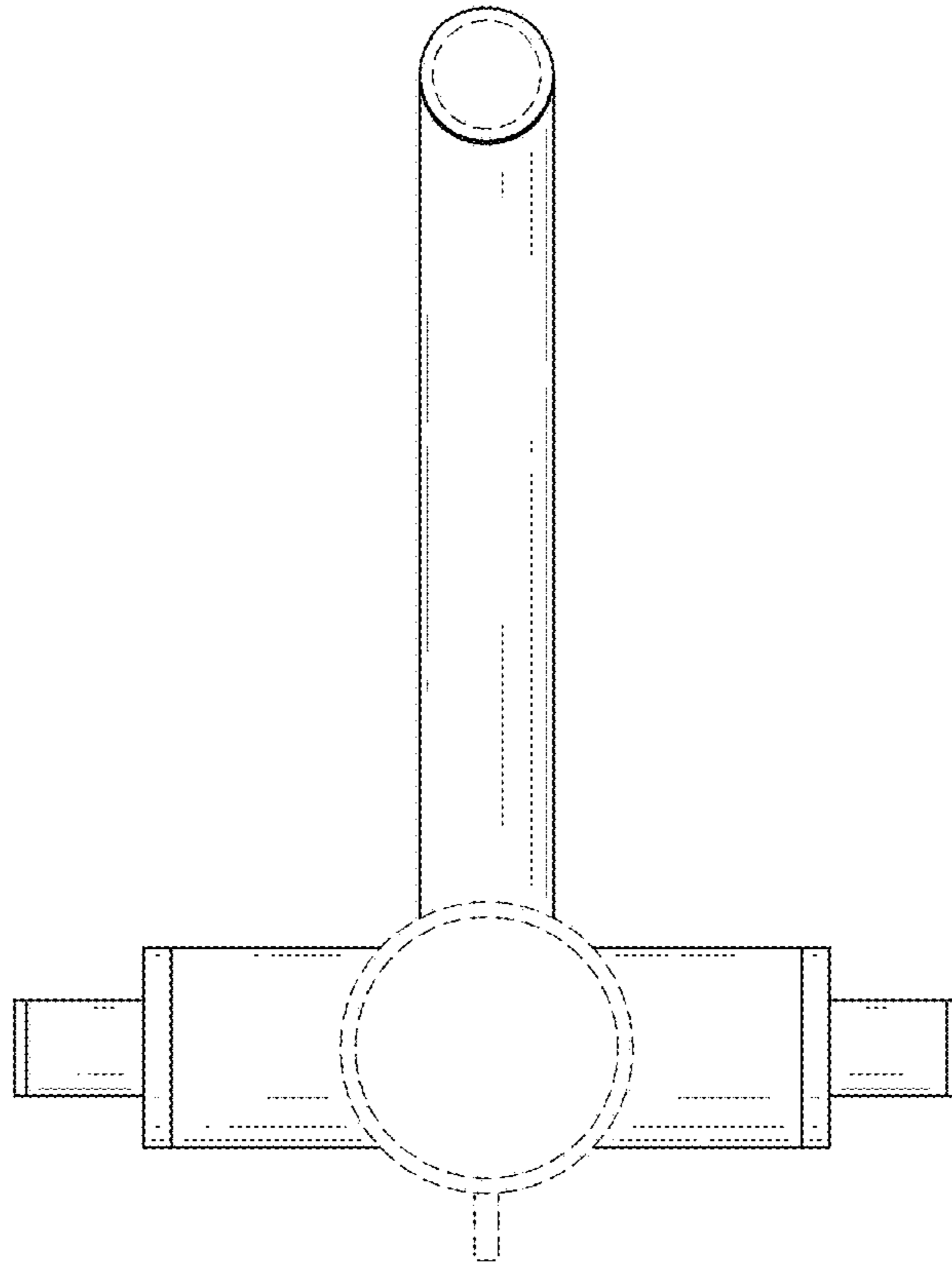


FIG.7