



US00D855773S

(12) **United States Design Patent** (10) **Patent No.:** **US D855,773 S**  
**Seum et al.** (45) **Date of Patent:** **\*\* Aug. 6, 2019**

(54) **FAUCET**  
(71) Applicant: **GROHE AG**, Hemer (DE)  
(72) Inventors: **Michael Seum**, Duesseldorf (DE);  
**Jung-Beom Han**, Duesseldorf (DE)

D450,808 S \* 11/2001 Gottwald ..... D23/253  
D457,224 S \* 5/2002 Gottwald ..... D23/241  
D457,939 S \* 5/2002 Gottwald ..... D23/238  
D461,529 S \* 8/2002 Gottwald ..... D23/238  
D527,076 S \* 8/2006 Kolin ..... D23/241  
D635,647 S \* 4/2011 Montgomery ..... D23/239

\* cited by examiner

(73) Assignee: **Grohe AG**, Hemer (DE)

(\*\*) Term: **15 Years**

*Primary Examiner* — Robert A Delehanty

(21) Appl. No.: **29/634,314**

(74) *Attorney, Agent, or Firm* — Muncy, Geissler, Olds & Lowe, P.C.

(22) Filed: **Jan. 19, 2018**

(30) **Foreign Application Priority Data**

(57) **CLAIM**

The ornamental design for a faucet, as shown and described.

Jul. 20, 2017 (EM) ..... 004112647-0008

(51) **LOC (12) Cl.** ..... **23-01**

**DESCRIPTION**

(52) **U.S. Cl.**

USPC ..... **D23/242**; D23/239

(58) **Field of Classification Search**

USPC ..... D23/238–243, 245, 249–250, 253, 255,  
D23/257; D8/300

CPC ..... Y10T 137/9464; Y10T 137/6064; E03C  
1/04; E03C 1/0404; E03C 1/0412; E03C  
1/0409; E03C 1/042; E03C 1/02; E03C  
2001/0414

See application file for complete search history.

FIG. 1 is a front perspective view of a faucet according to the present invention.

FIG. 2 is a front view of the faucet of FIG. 1.

FIG. 3 is a rear view of the faucet of FIG. 1.

FIG. 4 is a left side view of the faucet of FIG. 1.

FIG. 5 is a right side view of the faucet of FIG. 1.

FIG. 6 is a top view of the faucet of FIG. 1; and,

FIG. 7 is a bottom view of the faucet of FIG. 1.

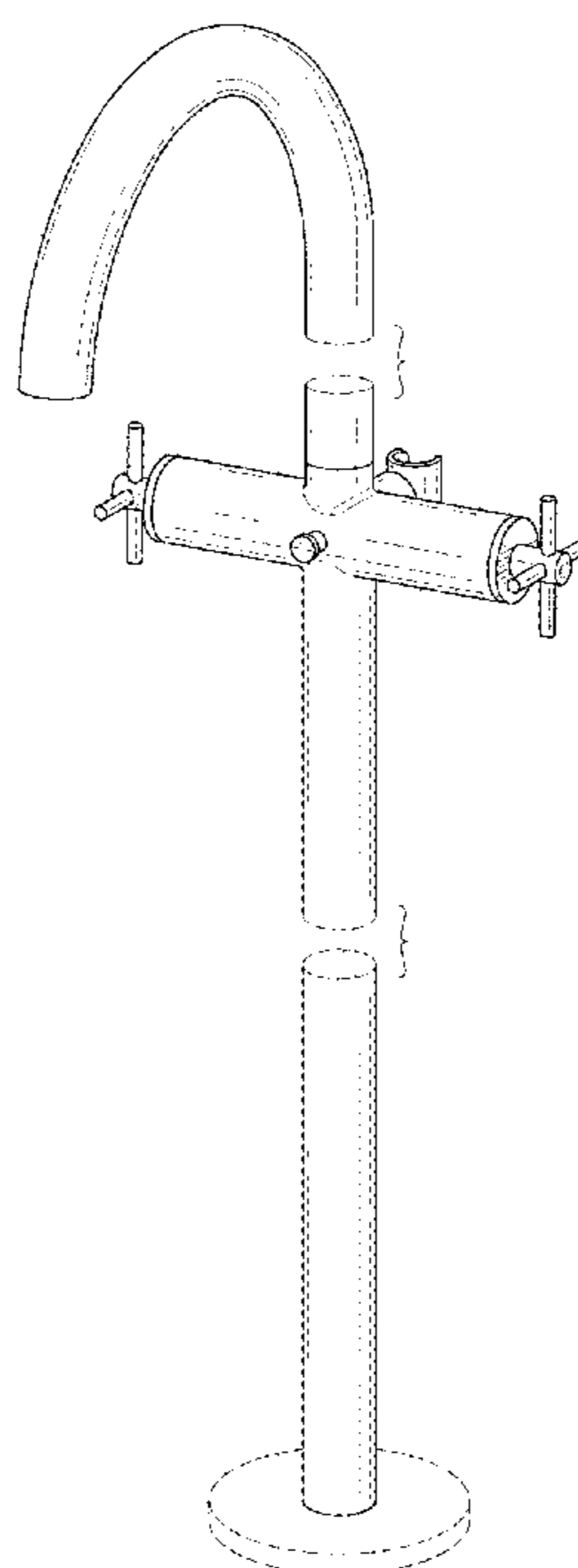
The dashed lines illustrate environment that does not form a part of the present invention, and no claim is made to the material illustrated with dashed lines. The appearance of any portion of the article between the broken away symbols forms no part of the claimed design.

(56) **References Cited**

U.S. PATENT DOCUMENTS

D157,757 S \* 3/1950 Hamer ..... D23/245  
D436,653 S \* 1/2001 Lefroy-Brooks ..... D23/253

**1 Claim, 7 Drawing Sheets**



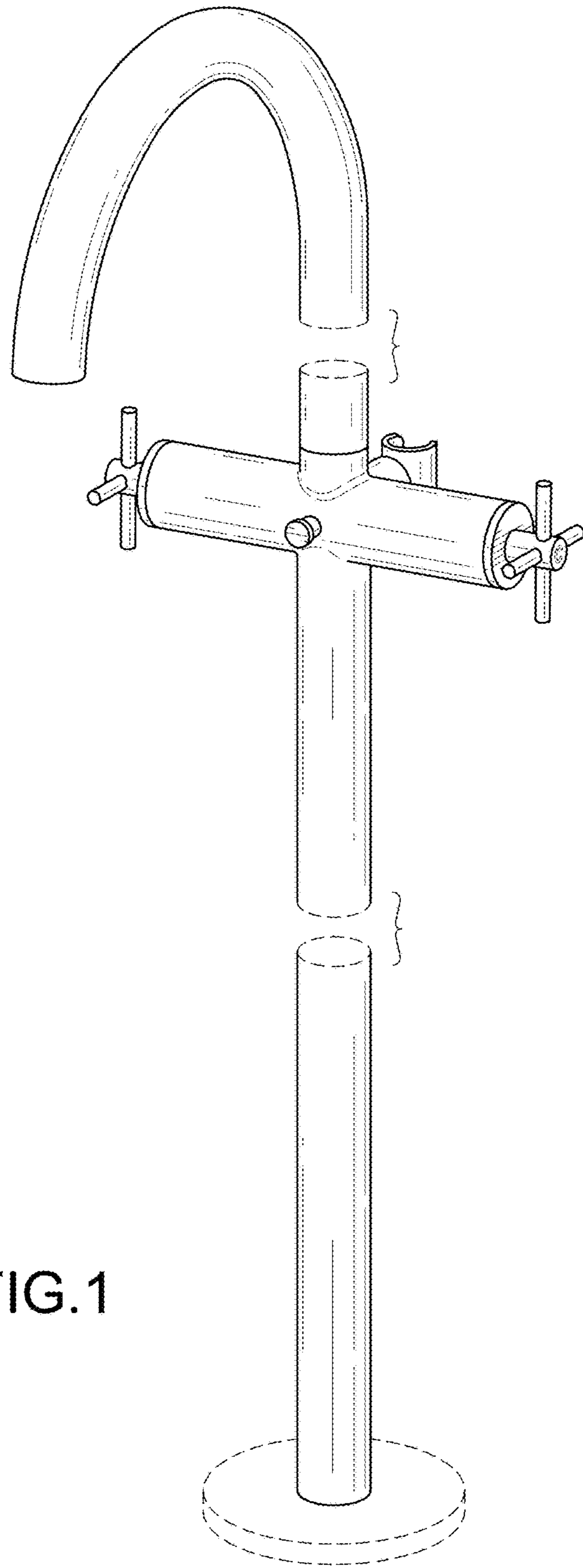


FIG. 1

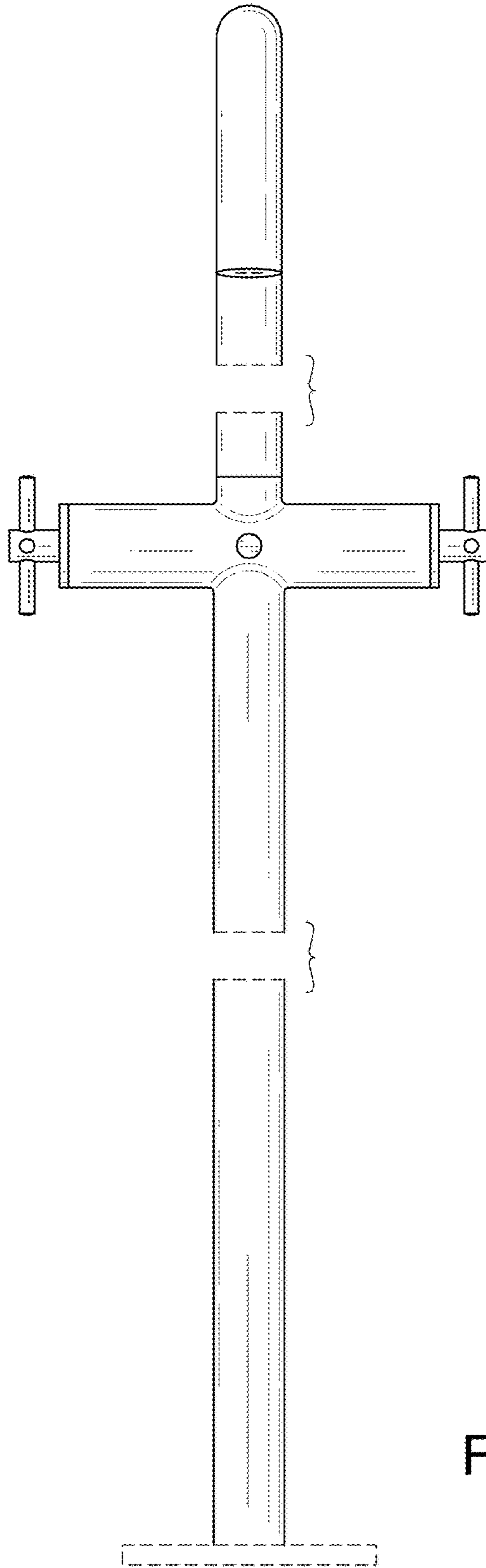


FIG.2

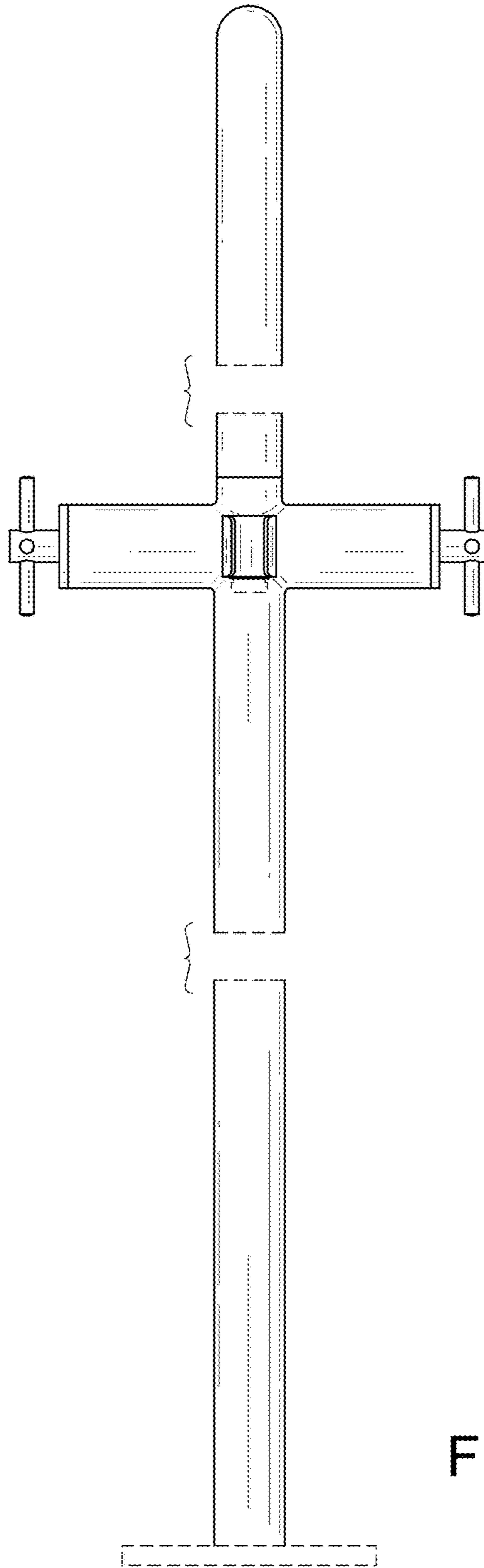


FIG.3

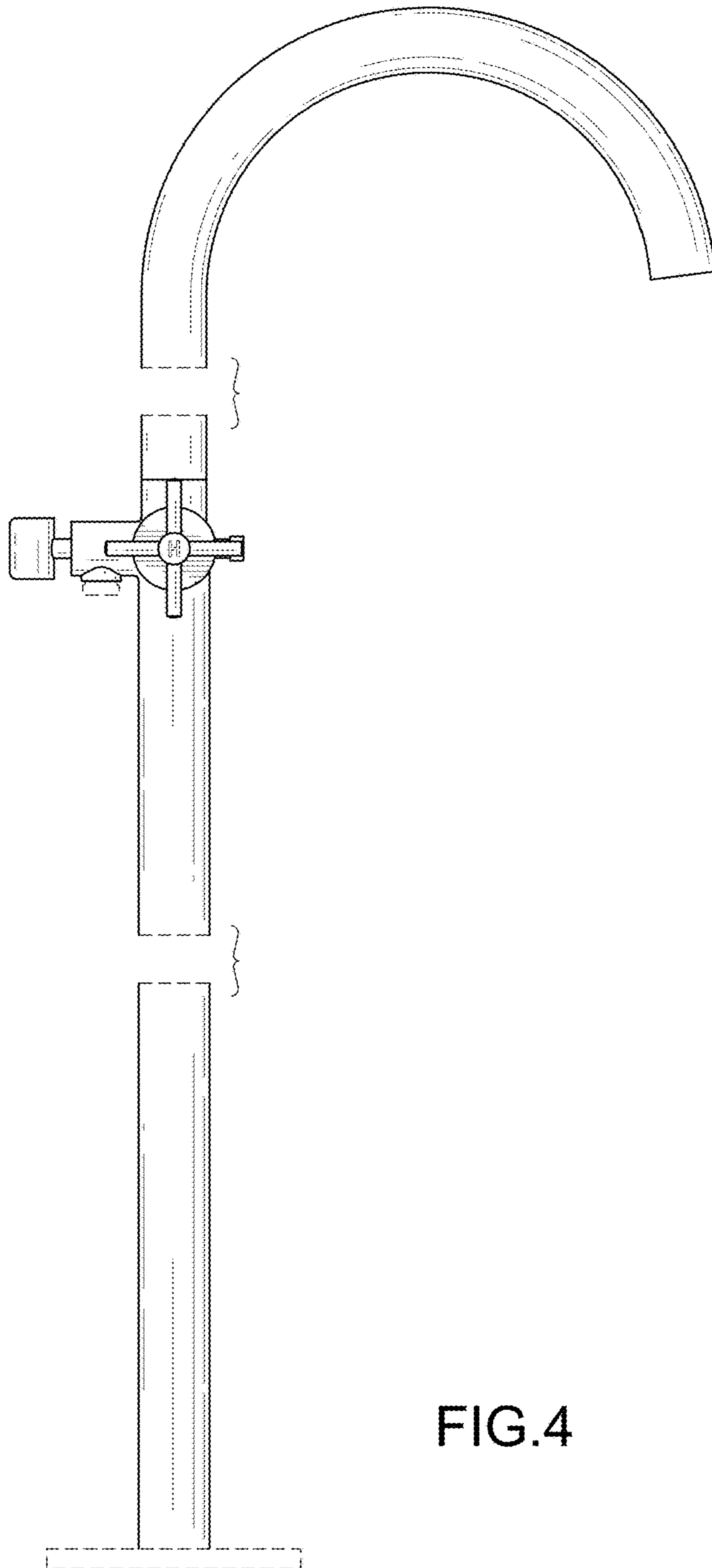


FIG.4

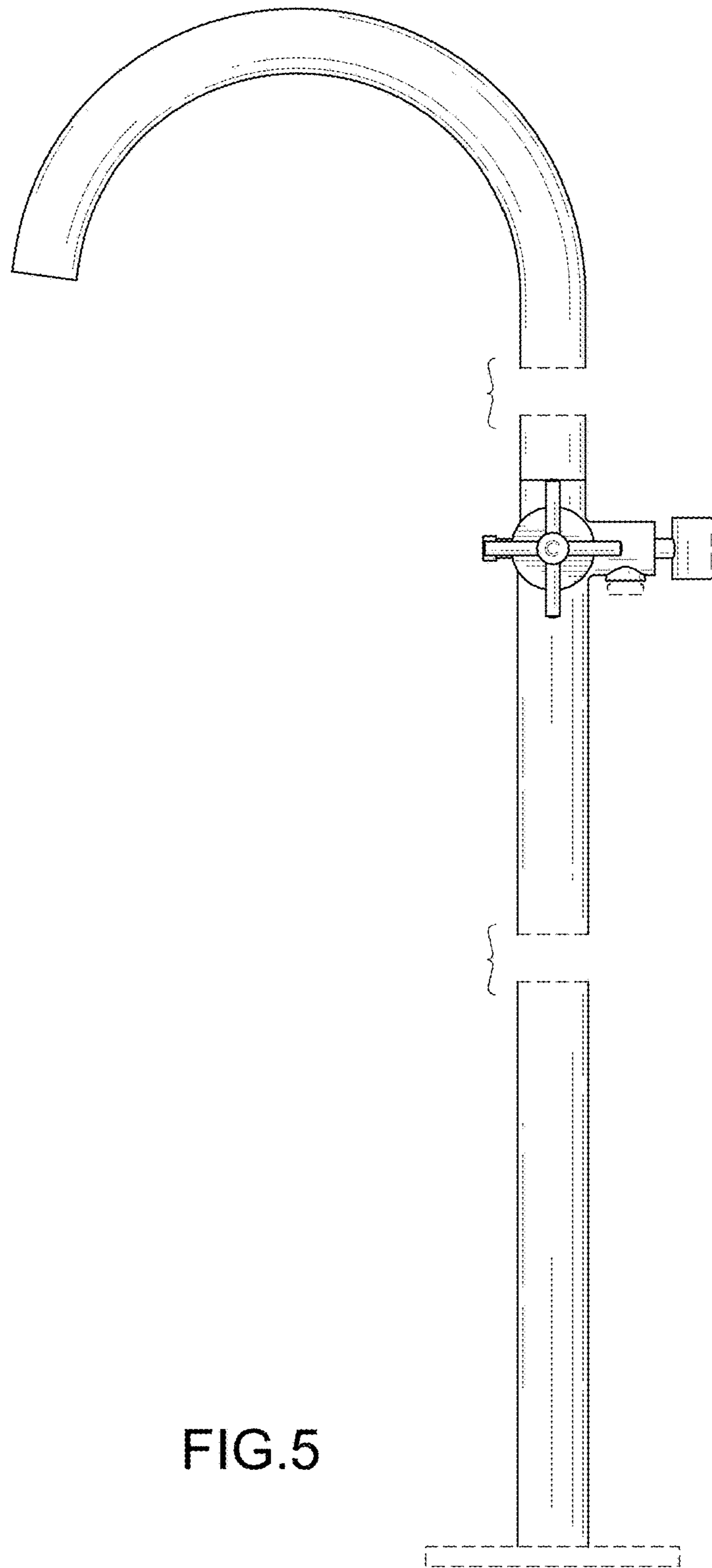


FIG.5

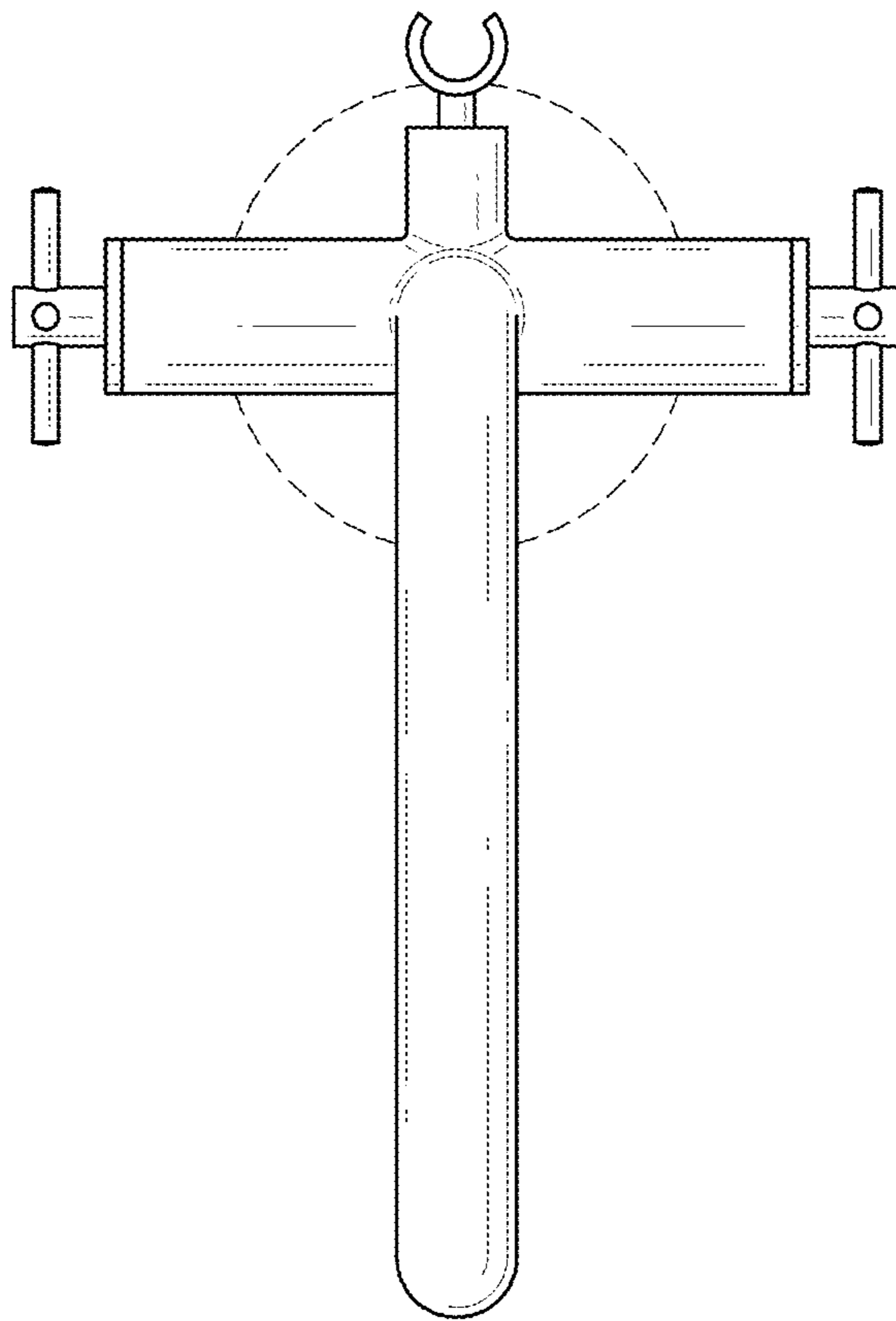


FIG.6

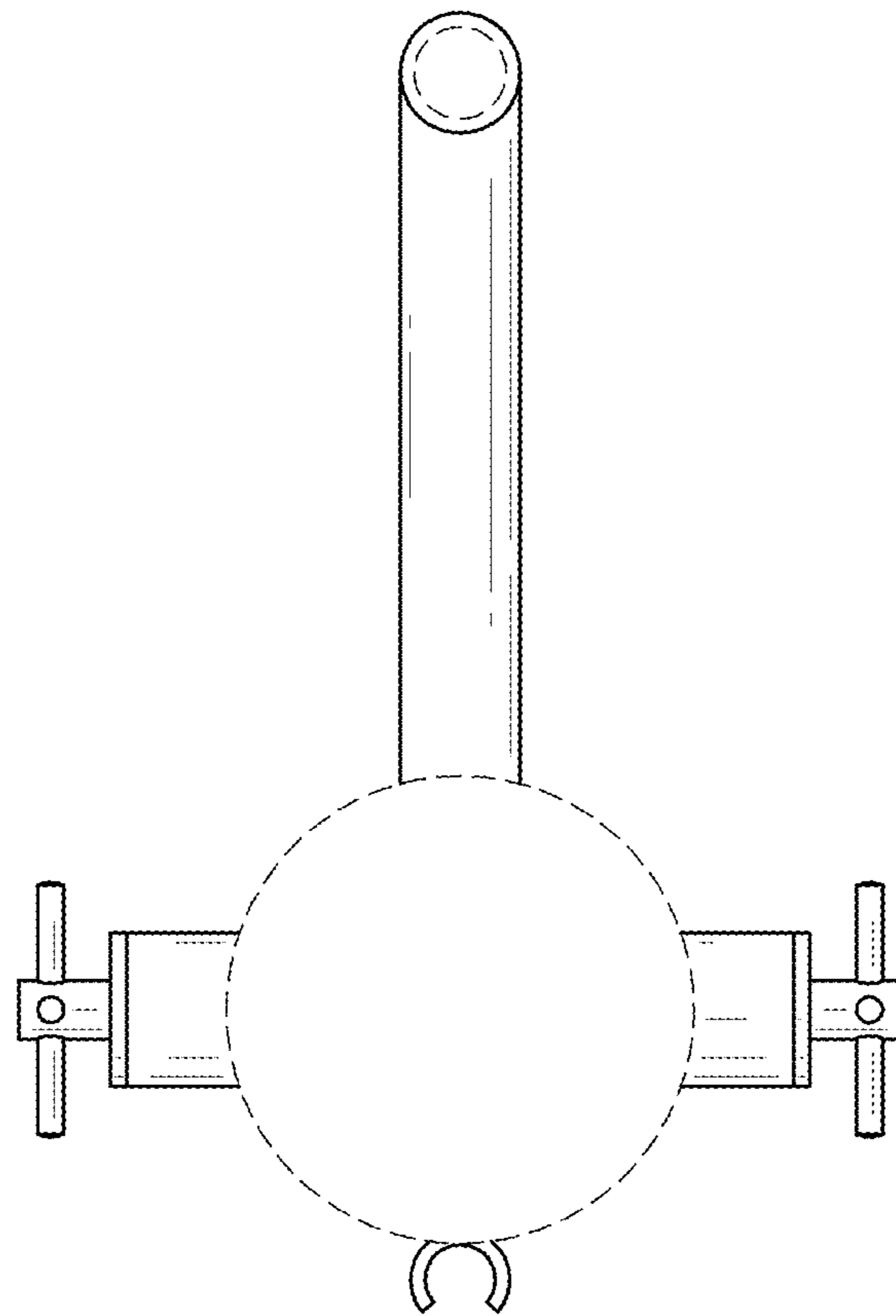


FIG.7