



US00D855772S

(12) **United States Design Patent** (10) **Patent No.:** **US D855,772 S**
Seum et al. (45) **Date of Patent:** **** Aug. 6, 2019**

(54) **FAUCET**

(71) Applicant: **GROHE AG**, Hemer (DE)

(72) Inventors: **Michael Seum**, Duesseldorf (DE);
Jung-Beom Han, Duesseldorf (DE)

(73) Assignee: **Grohe AG**, Hemer (DE)

(**) Term: **15 Years**

(21) Appl. No.: **29/634,290**

(22) Filed: **Jan. 19, 2018**

(30) **Foreign Application Priority Data**

Jul. 20, 2017 (EM) 004112647-0001

(51) **LOC (12) Cl.** **23-01**

(52) **U.S. Cl.**
USPC **D23/242; D23/253**

(58) **Field of Classification Search**
USPC D23/238–243, 245, 249–250, 253, 255,
D23/257; D8/300
CPC Y10T 137/9464; Y10T 137/6064; E03C
1/04; E03C 1/0404; E03C 1/0412; E03C
1/0409; E03C 1/042; E03C 1/02; E03C
2001/0414

See application file for complete search history.

(56) **References Cited**

U.S. PATENT DOCUMENTS

D157,757 S * 3/1950 Hamer D23/245
D436,653 S * 1/2001 Lefroy-Brooks D23/253

D450,808 S * 11/2001 Gottwald D23/253
D457,224 S * 5/2002 Gottwald D23/241
D457,939 S * 5/2002 Gottwald D23/238
D527,076 S * 8/2006 Kolin D23/241
D635,647 S * 4/2011 Montgomery D23/239

* cited by examiner

Primary Examiner — Robert A Delehanty

(74) *Attorney, Agent, or Firm* — Muncy, Geissler, Olds & Lowe, P.C.

(57) **CLAIM**

The ornamental design for a faucet, as shown and described.

DESCRIPTION

FIG. 1 is a front perspective view of a faucet according to the present invention.

FIG. 2 is a front view of the faucet of FIG. 1.

FIG. 3 is a rear view of the faucet of FIG. 1.

FIG. 4 is a left side view of the faucet of FIG. 1.

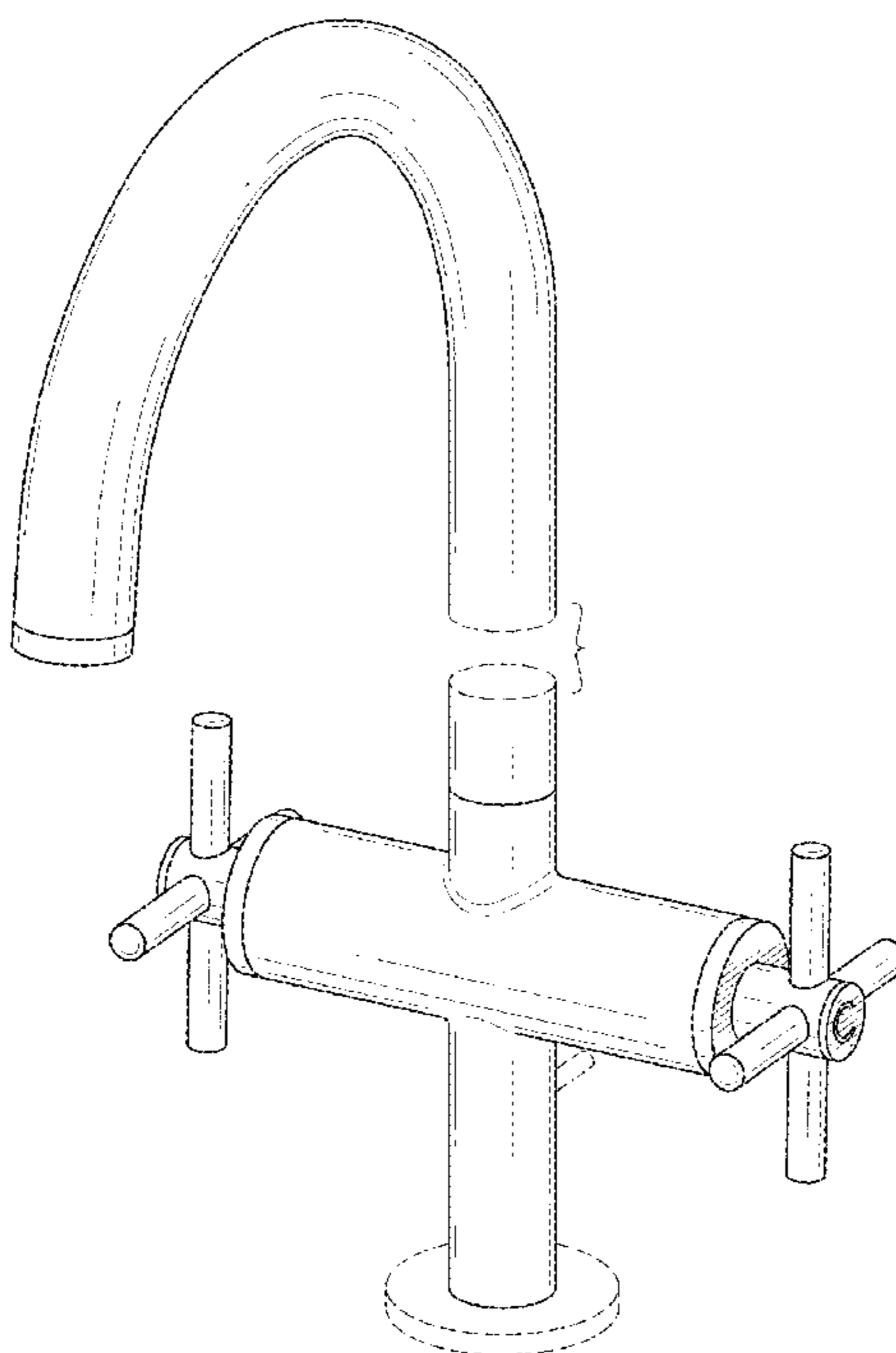
FIG. 5 is a right side view of the faucet of FIG. 1.

FIG. 6 is a top view of the faucet of FIG. 1; and,

FIG. 7 is a bottom view of the faucet of FIG. 1.

The dashed lines illustrate environment that does not form a part of the present invention, and no claim is made to the material illustrated with dashed lines. The appearance of any portion of the article between the broken away symbols forms no part of the claimed design.

1 Claim, 7 Drawing Sheets



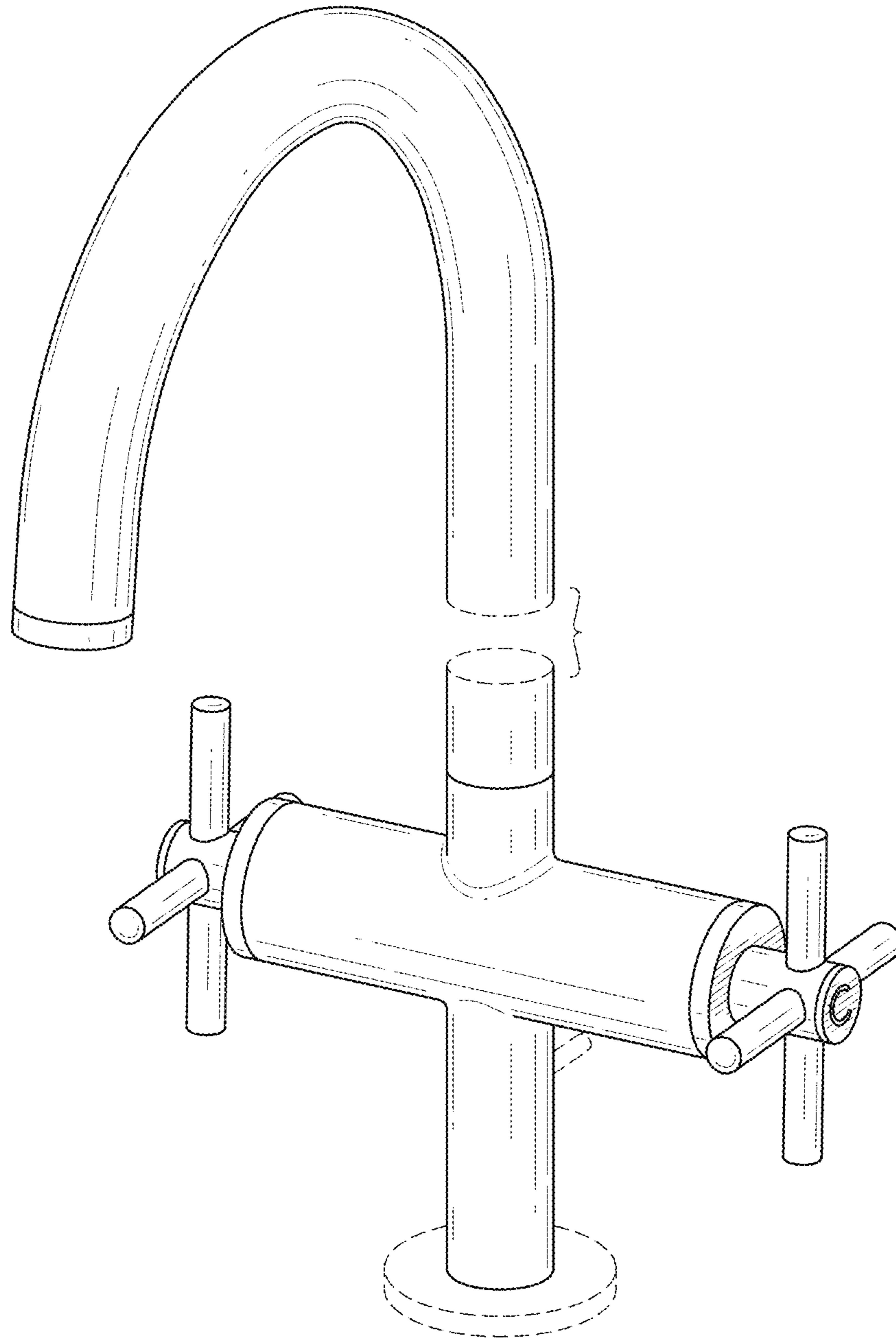


FIG. 1

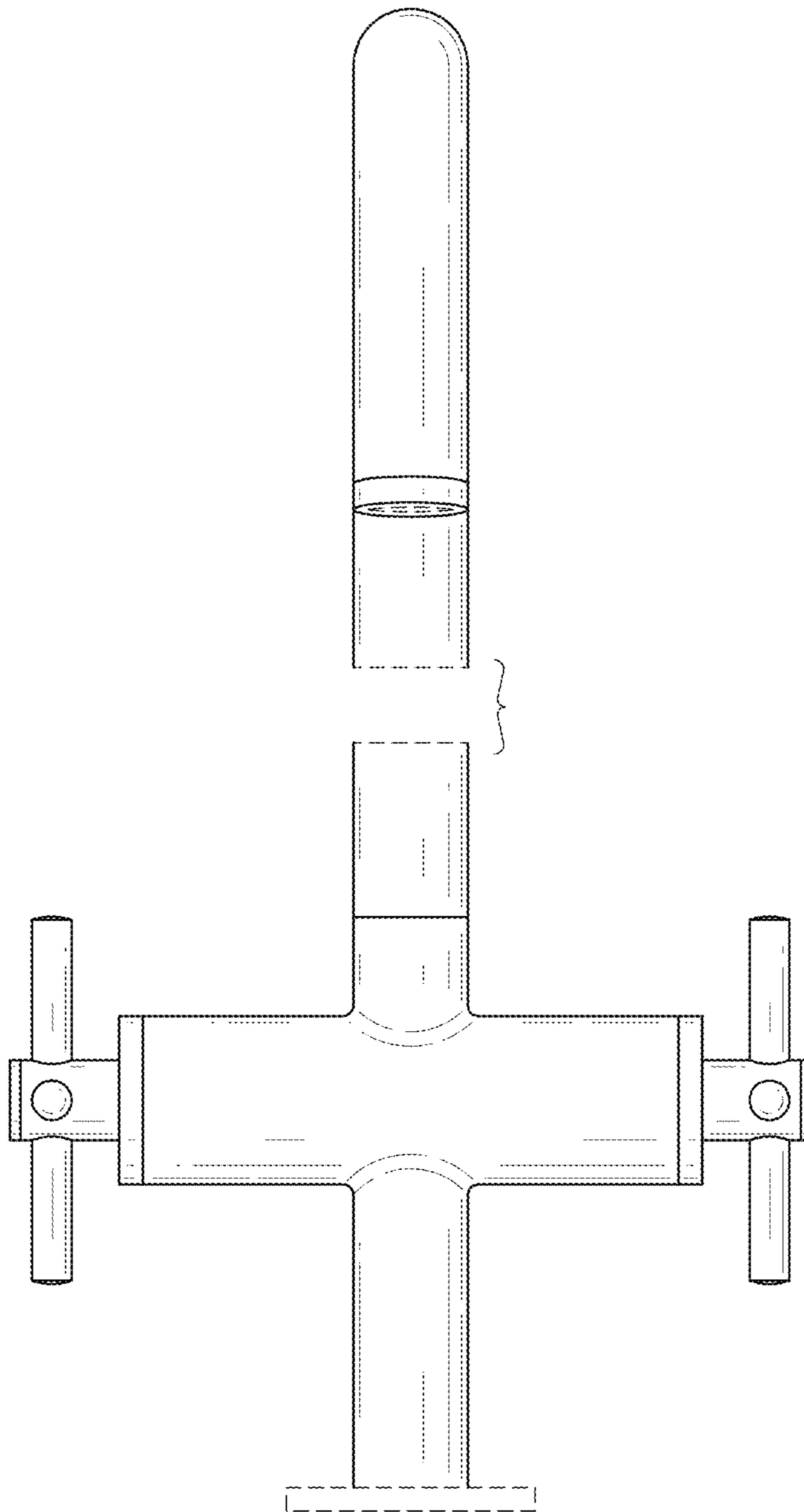


FIG.2

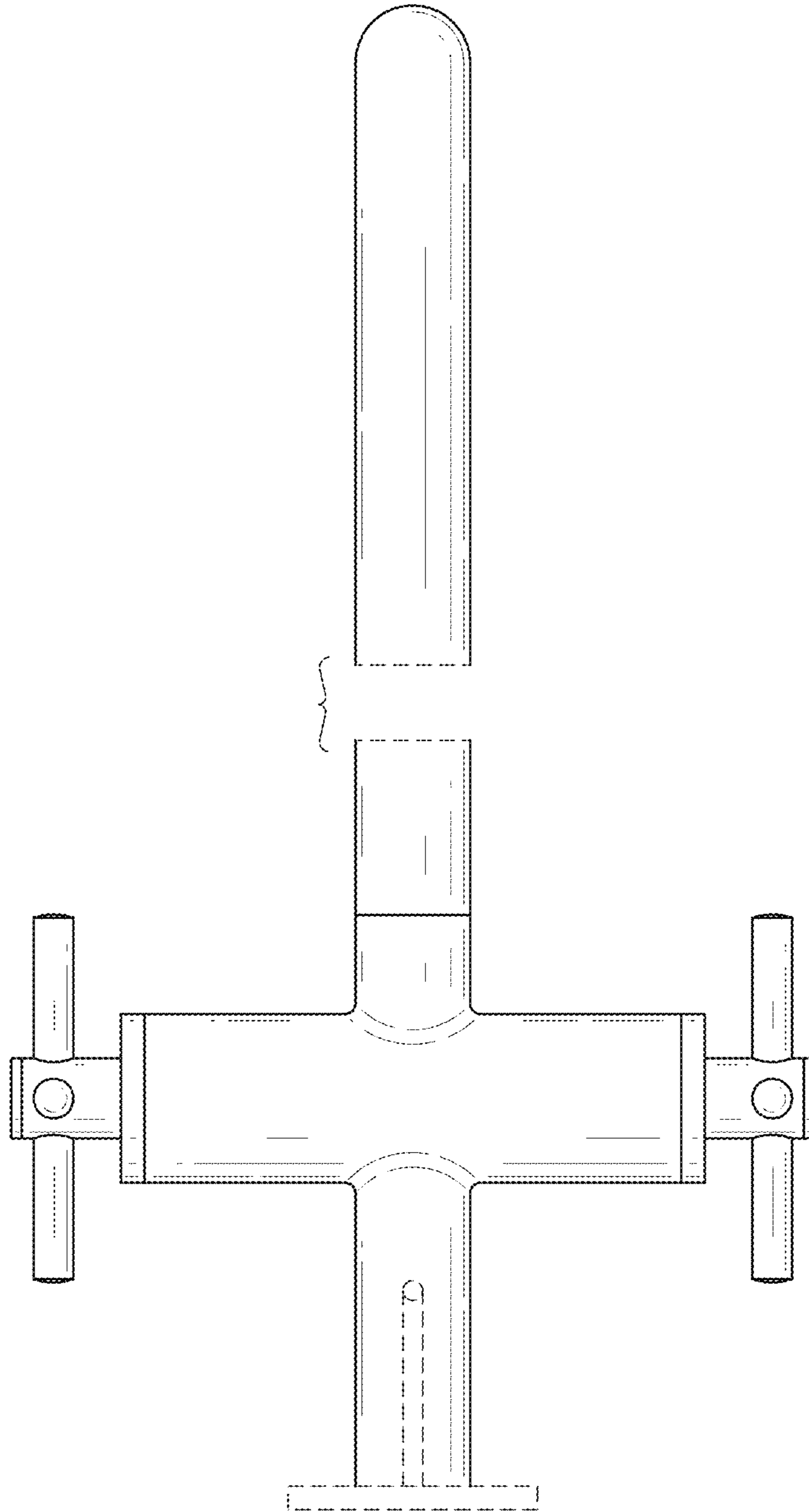


FIG.3

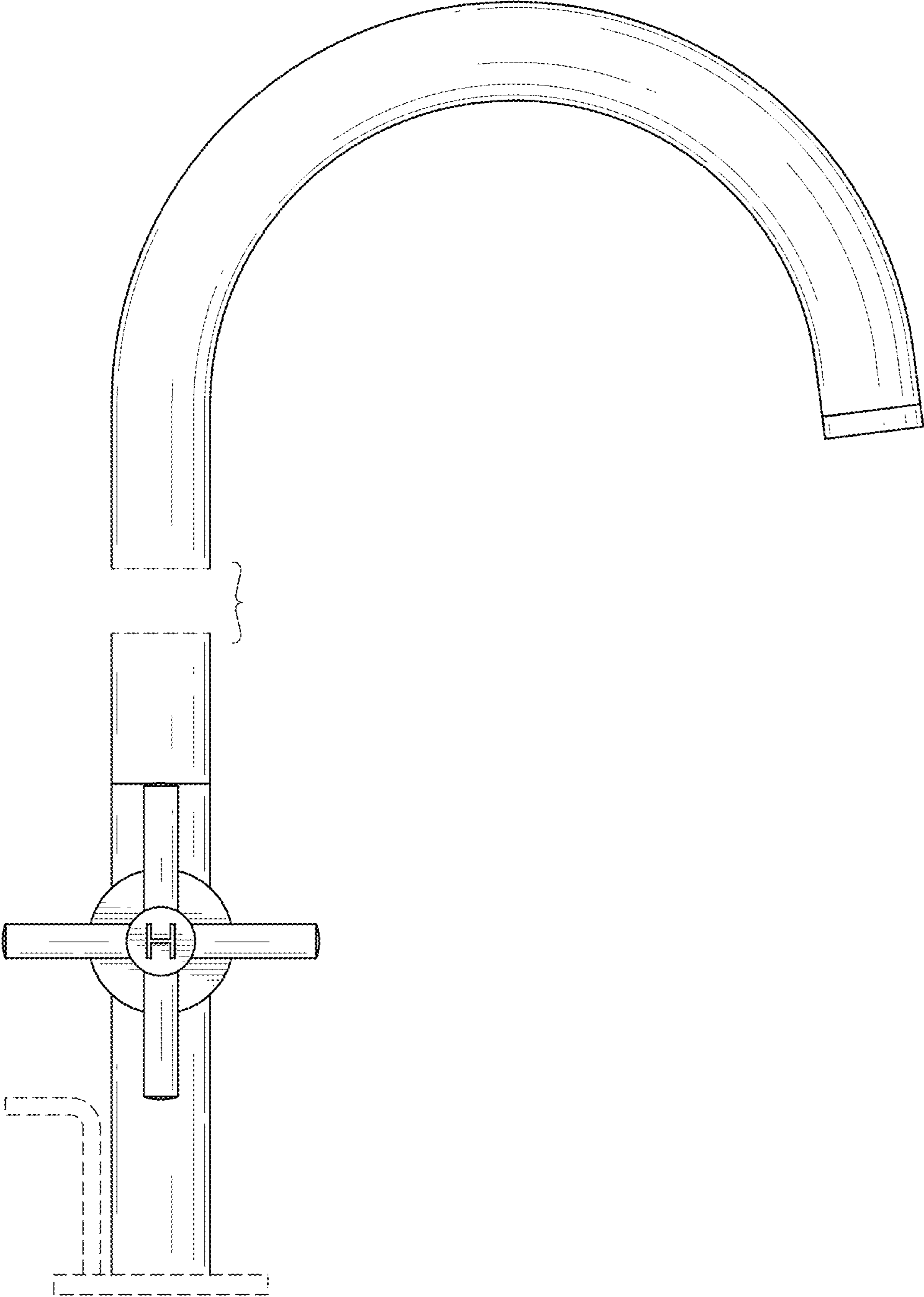


FIG.4

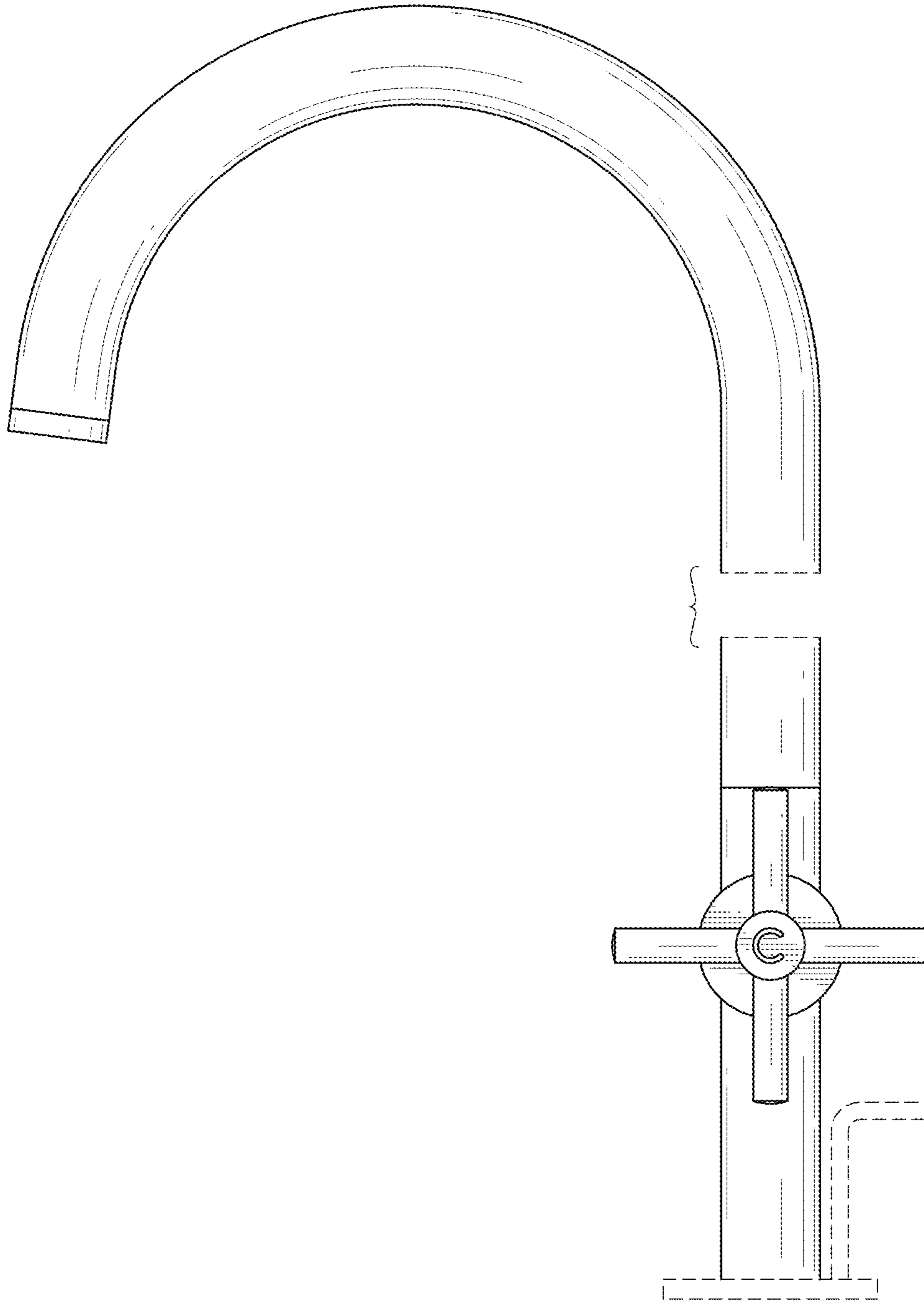


FIG.5

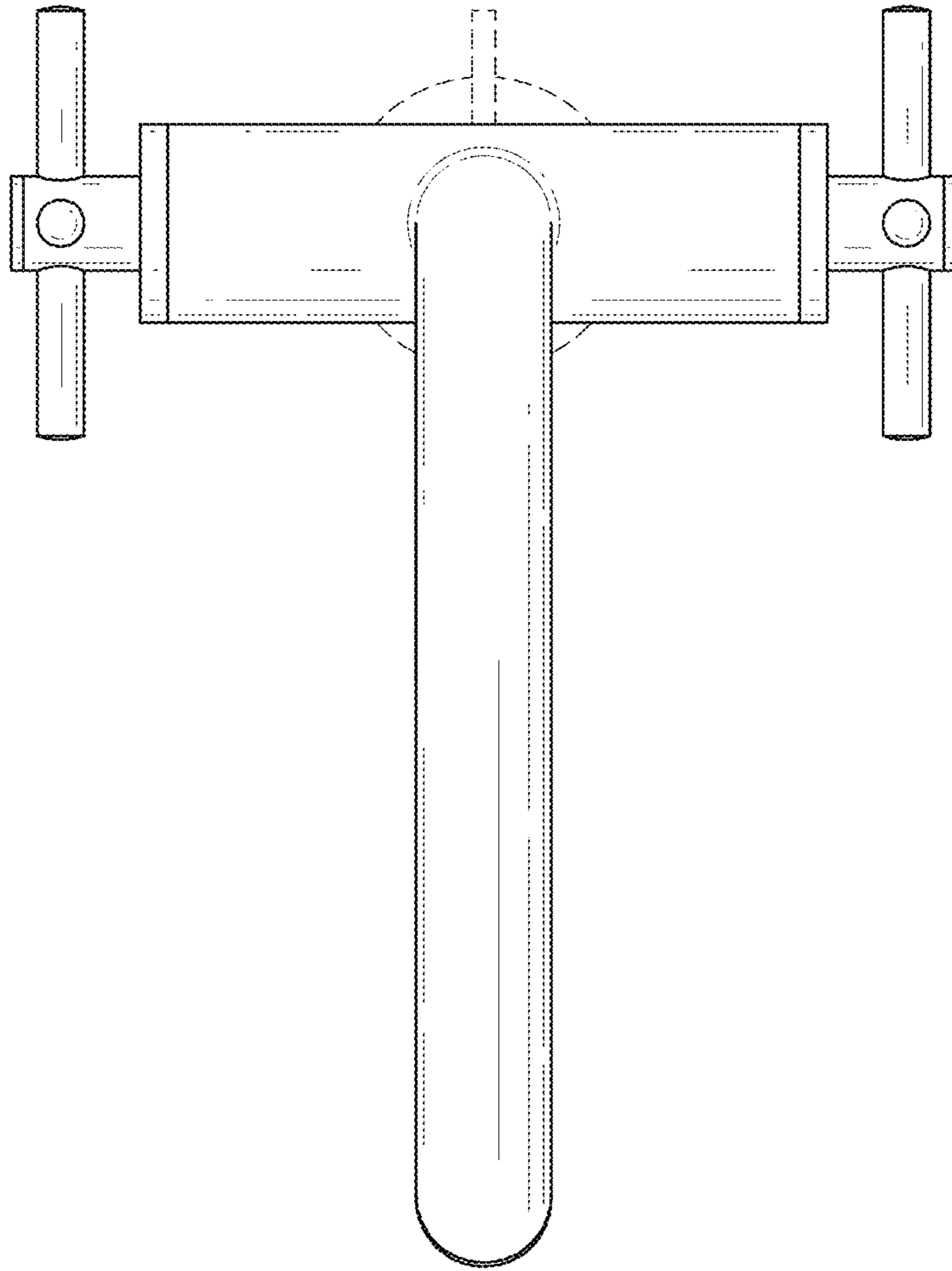


FIG.6

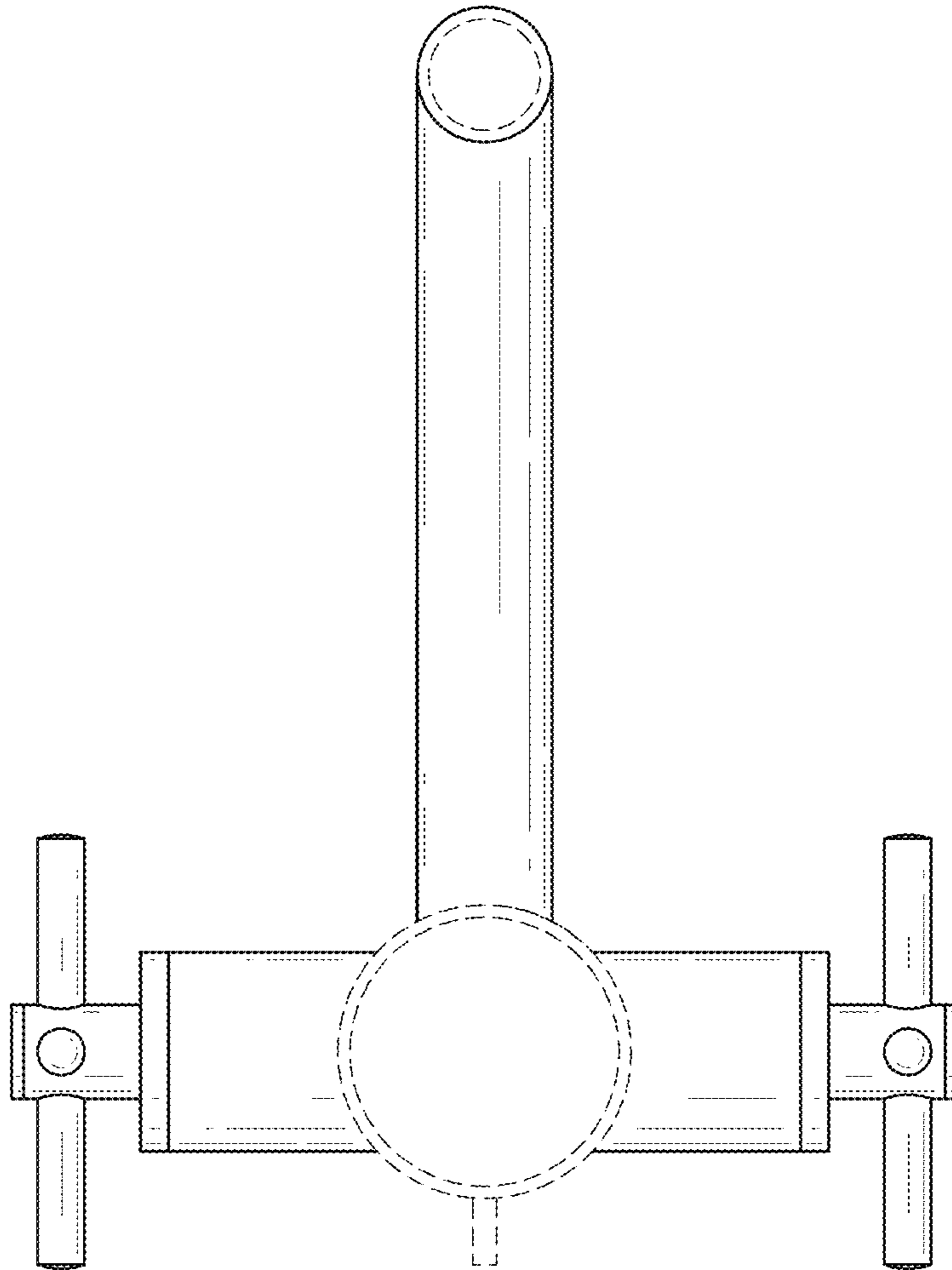


FIG.7