



US00D855771S

(12) **United States Design Patent**
Spangler

(10) **Patent No.:** **US D855,771 S**

(45) **Date of Patent:** **** Aug. 6, 2019**

(54) **FAUCET**

(71) Applicant: **DELTA FAUCET COMPANY,**
Indianapolis, IN (US)

(72) Inventor: **Anthony G. Spangler,** Indianapolis, IN
(US)

(73) Assignee: **DELTA FAUCET COMPANY,**
Indianapolis, IN (US)

(**) Term: **15 Years**

(21) Appl. No.: **29/631,798**

(22) Filed: **Jan. 3, 2018**

(51) **LOC (12) Cl.** **23-01**

(52) **U.S. Cl.**
USPC **D23/242**

(58) **Field of Classification Search**
USPC D23/238–243, 249, 255, 257, 250, 253;
D8/300

CPC F16K 31/60; F16K 31/602; F16K 31/605;
F16K 31/607; E03C 1/0412

See application file for complete search history.

(56) **References Cited**

U.S. PATENT DOCUMENTS

D162,678 S * 3/1951 Muller-Munk D23/254
D434,476 S * 11/2000 Meda D23/250
D461,230 S * 8/2002 Ko D23/255

D477,654 S * 7/2003 Citterio D23/241
D486,563 S * 2/2004 Hsieh D23/238
D488,539 S * 4/2004 McKeone D23/255
D669,557 S * 10/2012 Citterio D23/253
D712,515 S * 9/2014 Citterio D23/242
D810,886 S * 2/2018 Schoenherr D23/253
D810,888 S * 2/2018 Schoenherr D23/255
D813,353 S * 3/2018 Garland D23/253
D818,564 S * 5/2018 Garland D23/255
D827,100 S * 8/2018 Spangler D23/253

* cited by examiner

Primary Examiner — Robert A Delehanty

(74) *Attorney, Agent, or Firm* — Edgar A. Zarins; Nirav
D. Parikh

(57) **CLAIM**

The ornamental design for a faucet, as shown and described.

DESCRIPTION

FIG. 1 is a rear perspective view of a faucet showing my new design;

FIG. 2 is a top plan view thereof;

FIG. 3 is a front elevational view thereof;

FIG. 4 is a rear view thereof;

FIG. 5 is a bottom view thereof; and,

FIG. 6 is a left side view thereof, the opposite side being a mirror image of the side shown.

The broken-line disclosure in the view represents a portion of the faucet in which the claimed design is embodied, but which forms no part of the claimed design.

1 Claim, 3 Drawing Sheets

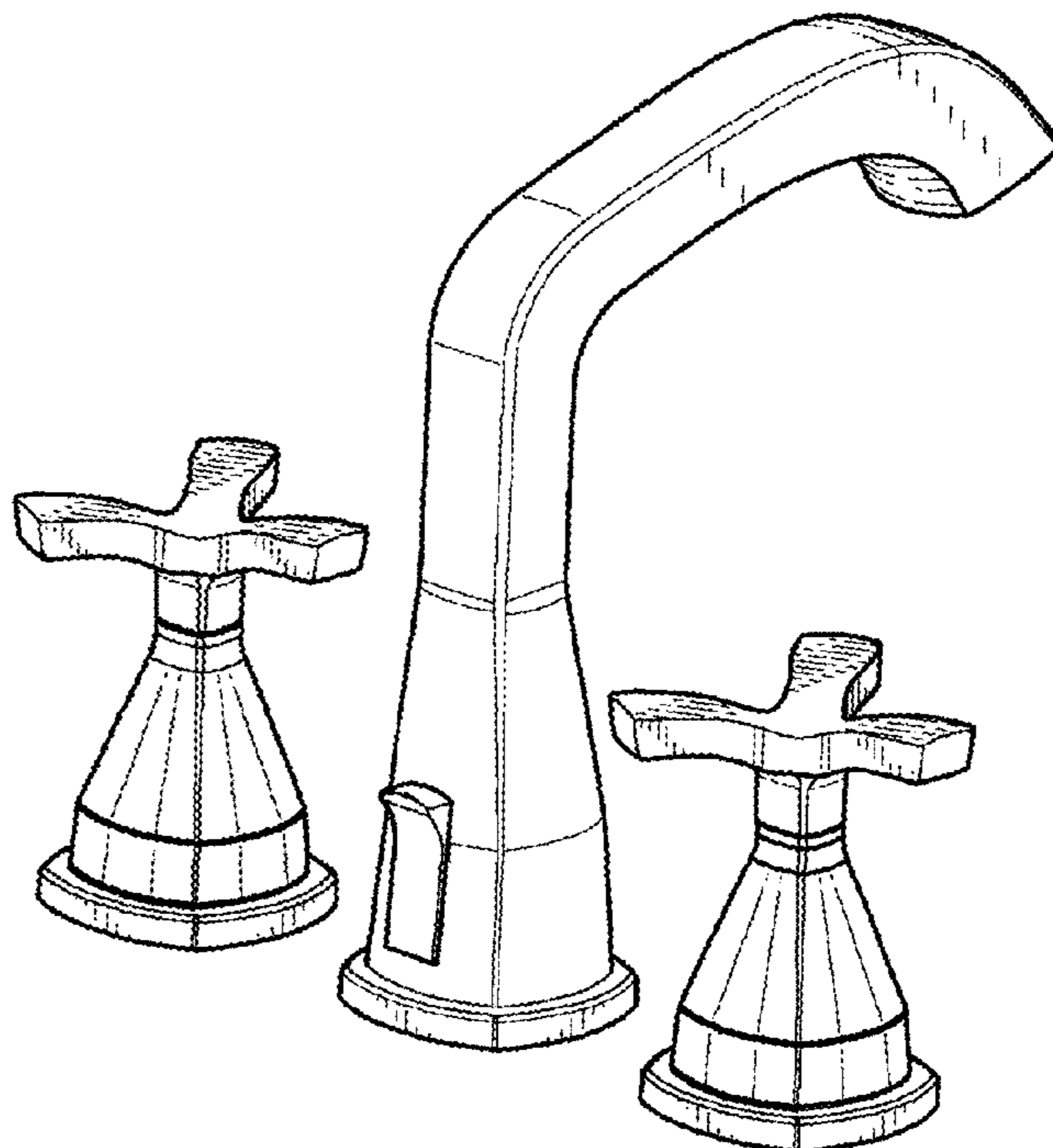




Fig-1

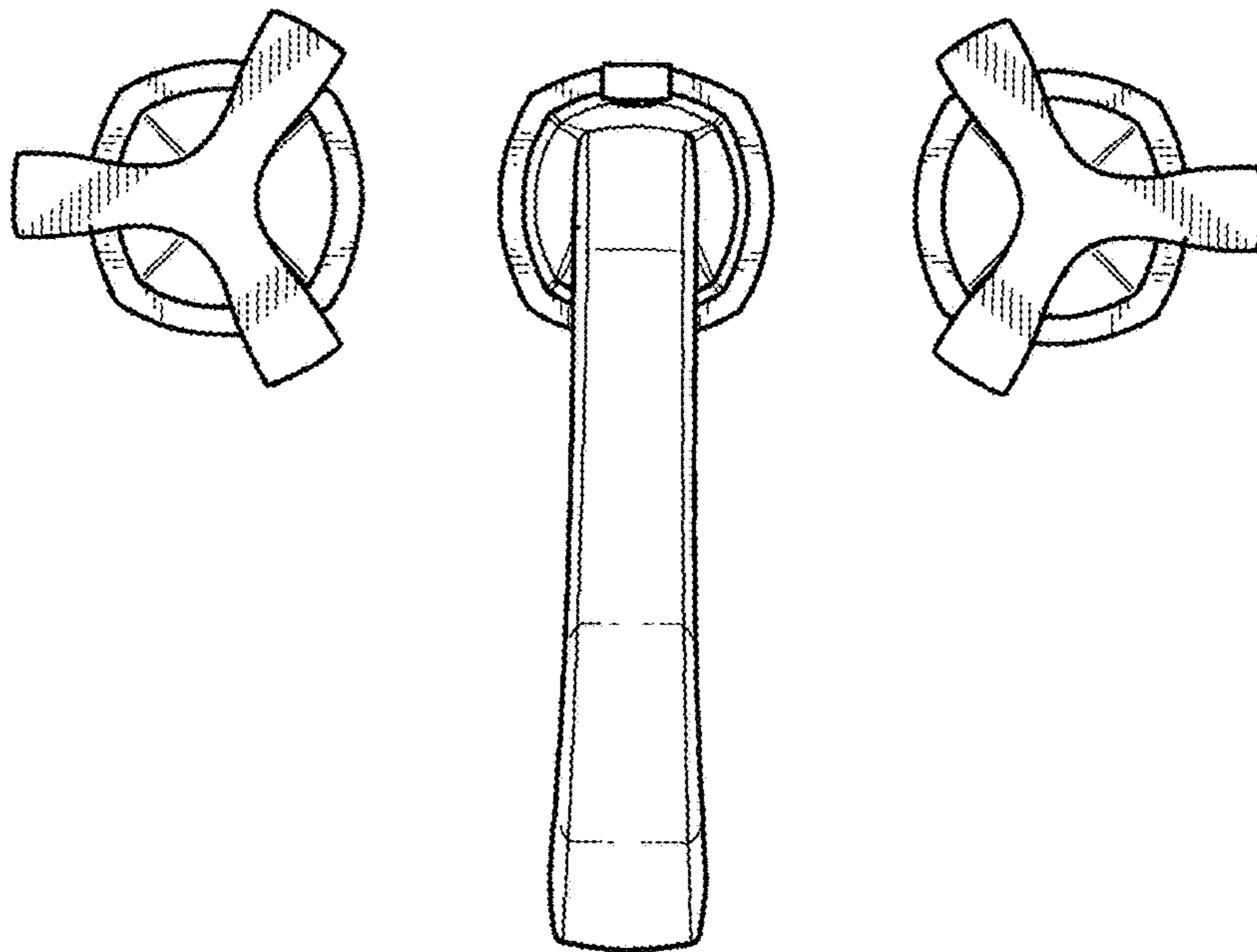


Fig-2

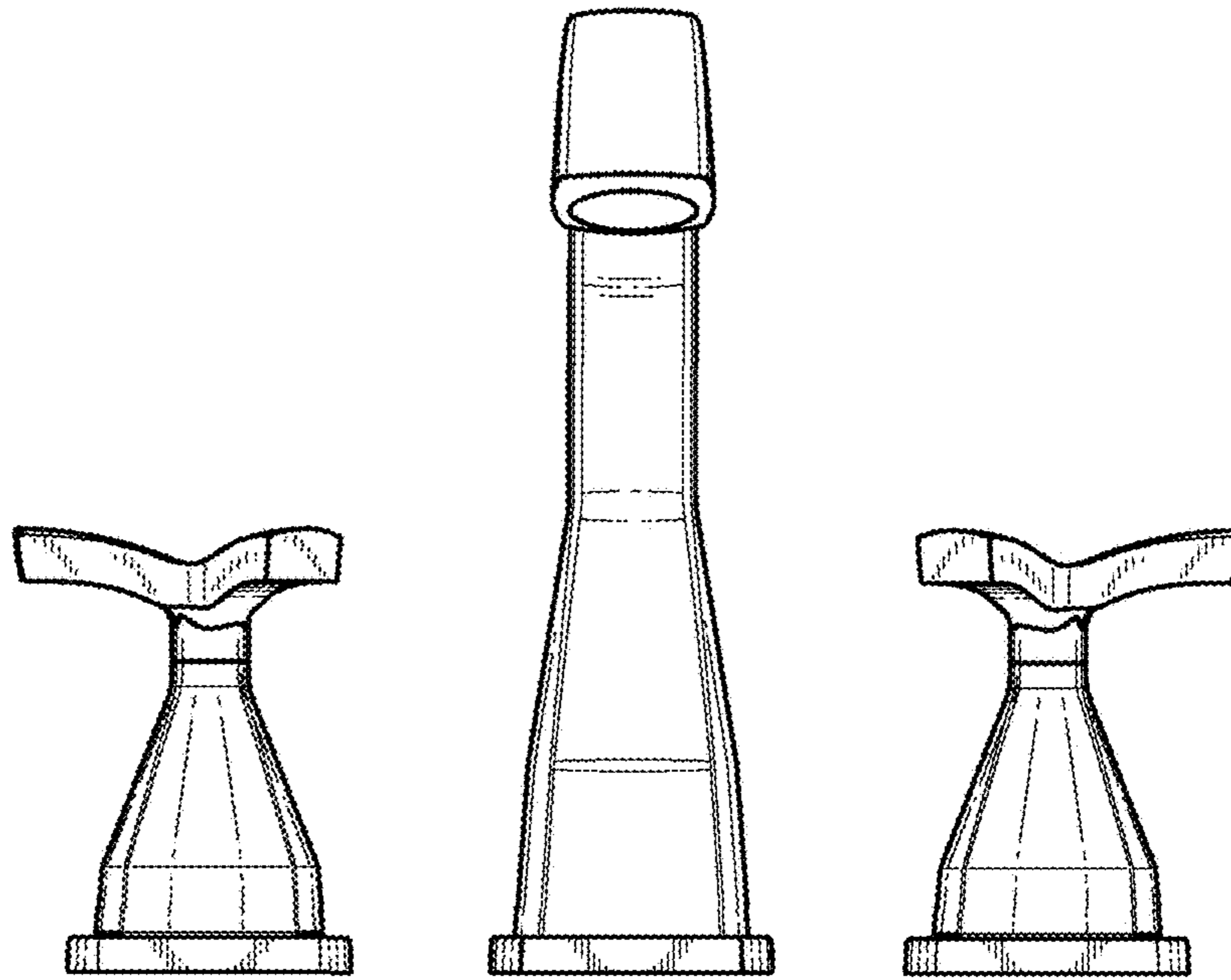


Fig-3

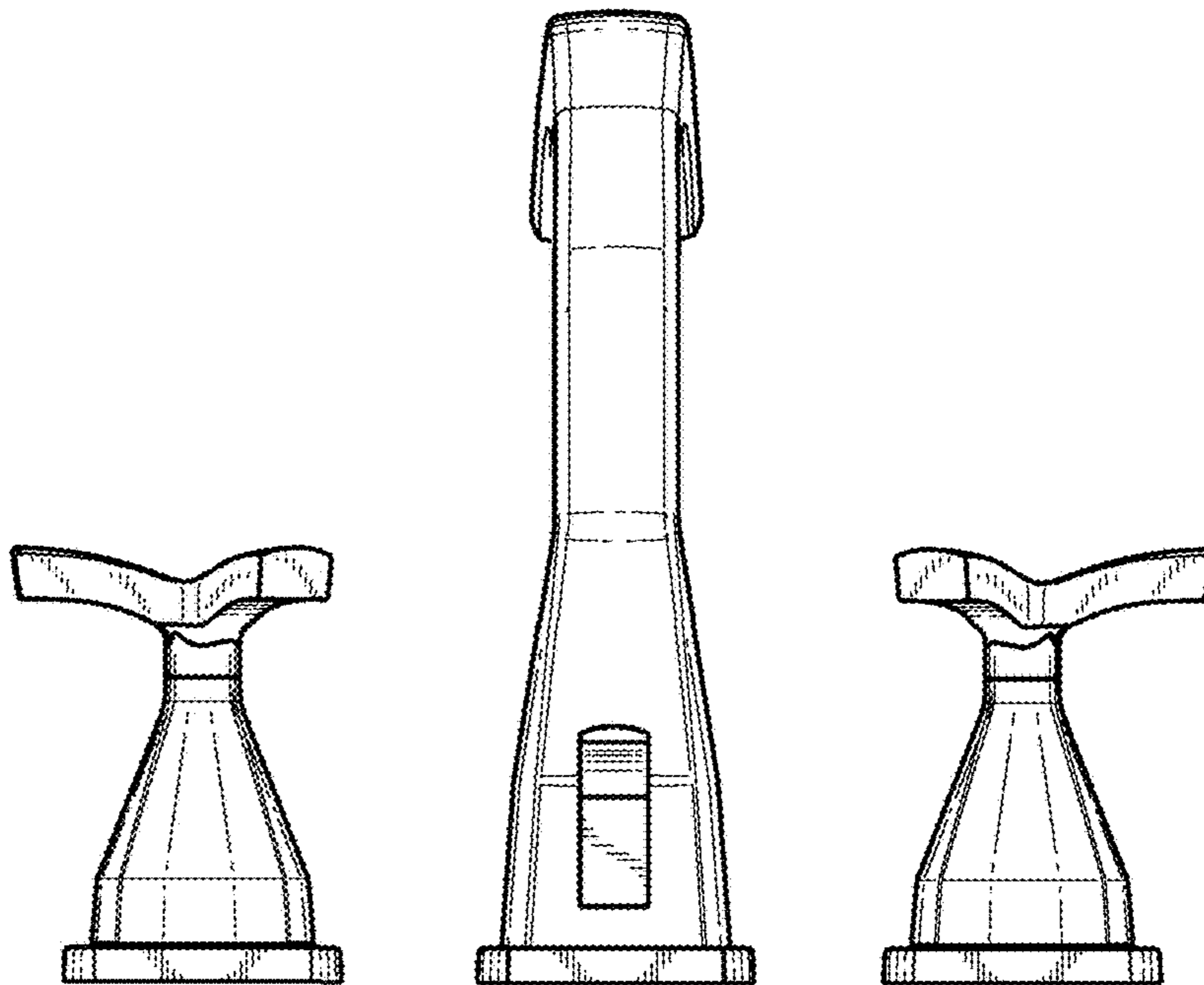


Fig-4

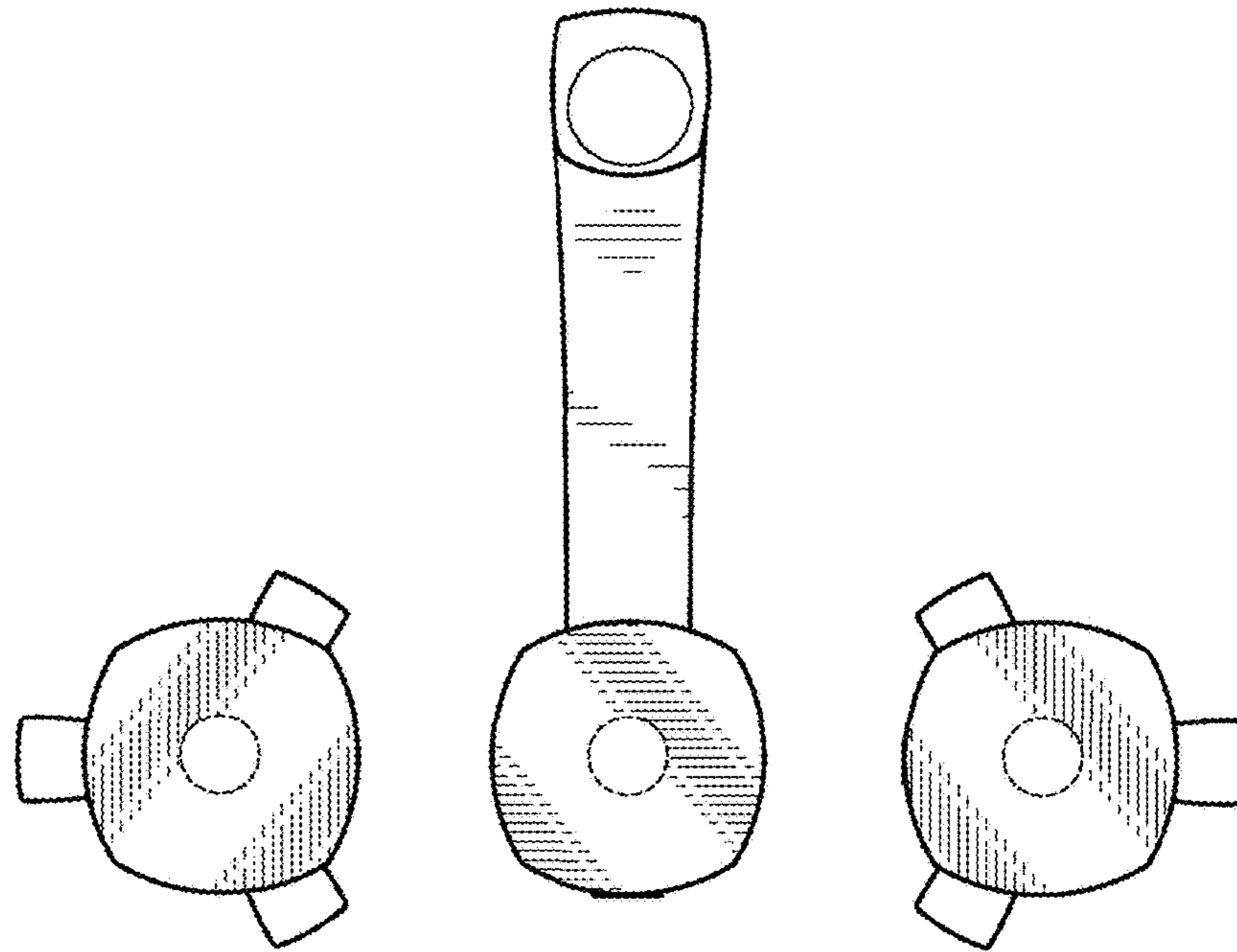


Fig-5

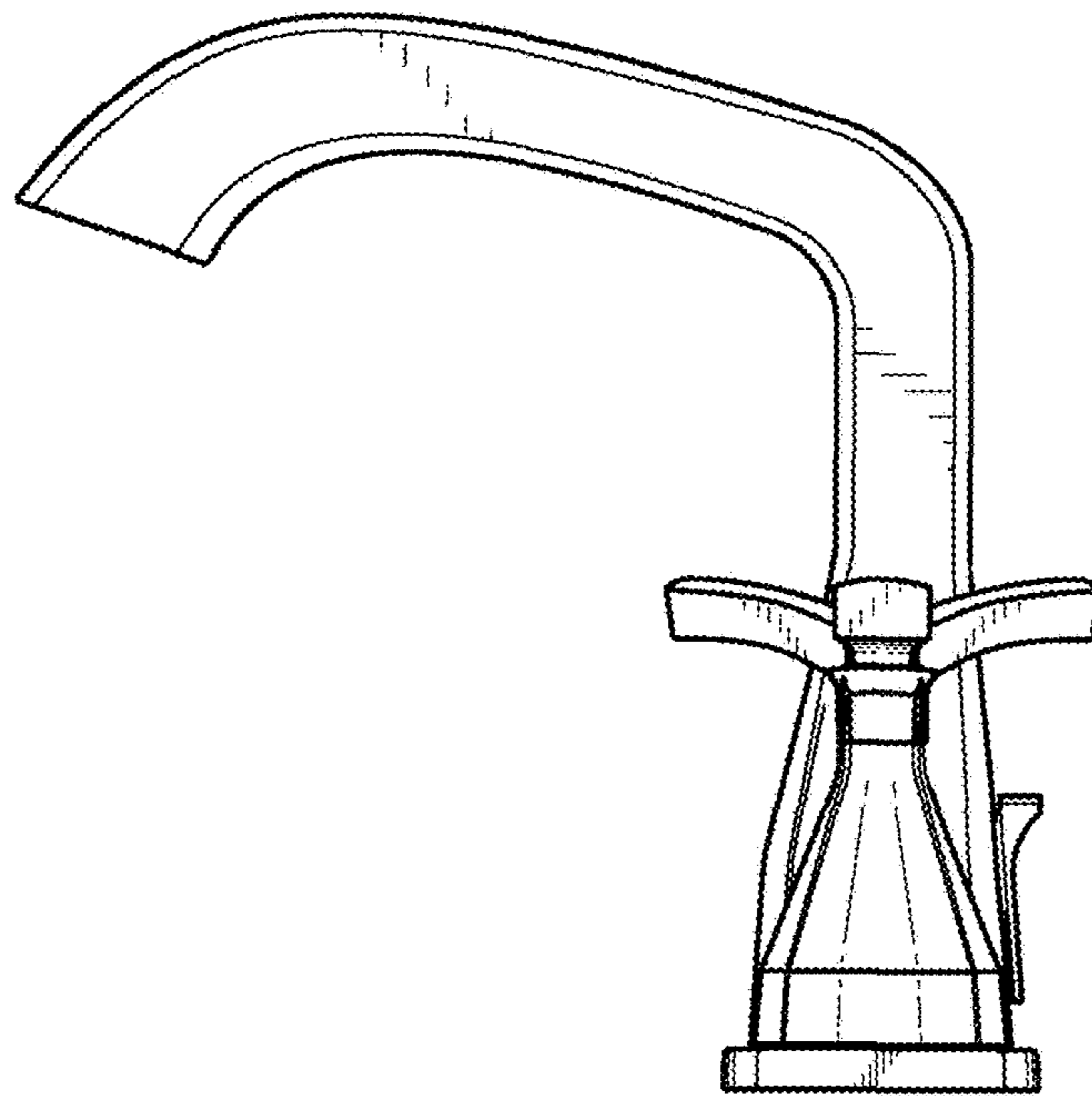


Fig-6