



US00D855770S

(12) **United States Design Patent** (10) **Patent No.:** **US D855,770 S**
Eads (45) **Date of Patent:** **** Aug. 6, 2019**

(54) **FAUCET**
(71) Applicant: **DELTA FAUCET COMPANY,**
Indianapolis, IN (US)
(72) Inventor: **Thad Eads,** Urbana, IN (US)
(73) Assignee: **DELTA FAUCET COMPANY,**
Indianapolis, IN (US)
(**) Term: **15 Years**
(21) Appl. No.: **29/644,478**
(22) Filed: **Apr. 18, 2018**
(51) **LOC (12) Cl.** **23-01**
(52) **U.S. Cl.**
USPC **D23/238**
(58) **Field of Classification Search**
USPC D23/238-243, 249-252, 254-255, 257;
D8/307-308
CPC Y10T 137/9464
See application file for complete search history.

D723,662 S * 3/2015 Downey D23/238
D757,223 S * 5/2016 Schoenherr D23/238
D762,820 S * 8/2016 Schoenherr D23/238
D767,721 S * 9/2016 Yoshioka D23/238
D830,515 S * 10/2018 L'Henaff D23/238

* cited by examiner

Primary Examiner — Eric L Goodman
Assistant Examiner — Amy C Wierenga
(74) *Attorney, Agent, or Firm* — Edgar A. Zarins; Nirav D. Parikh

(57) **CLAIM**

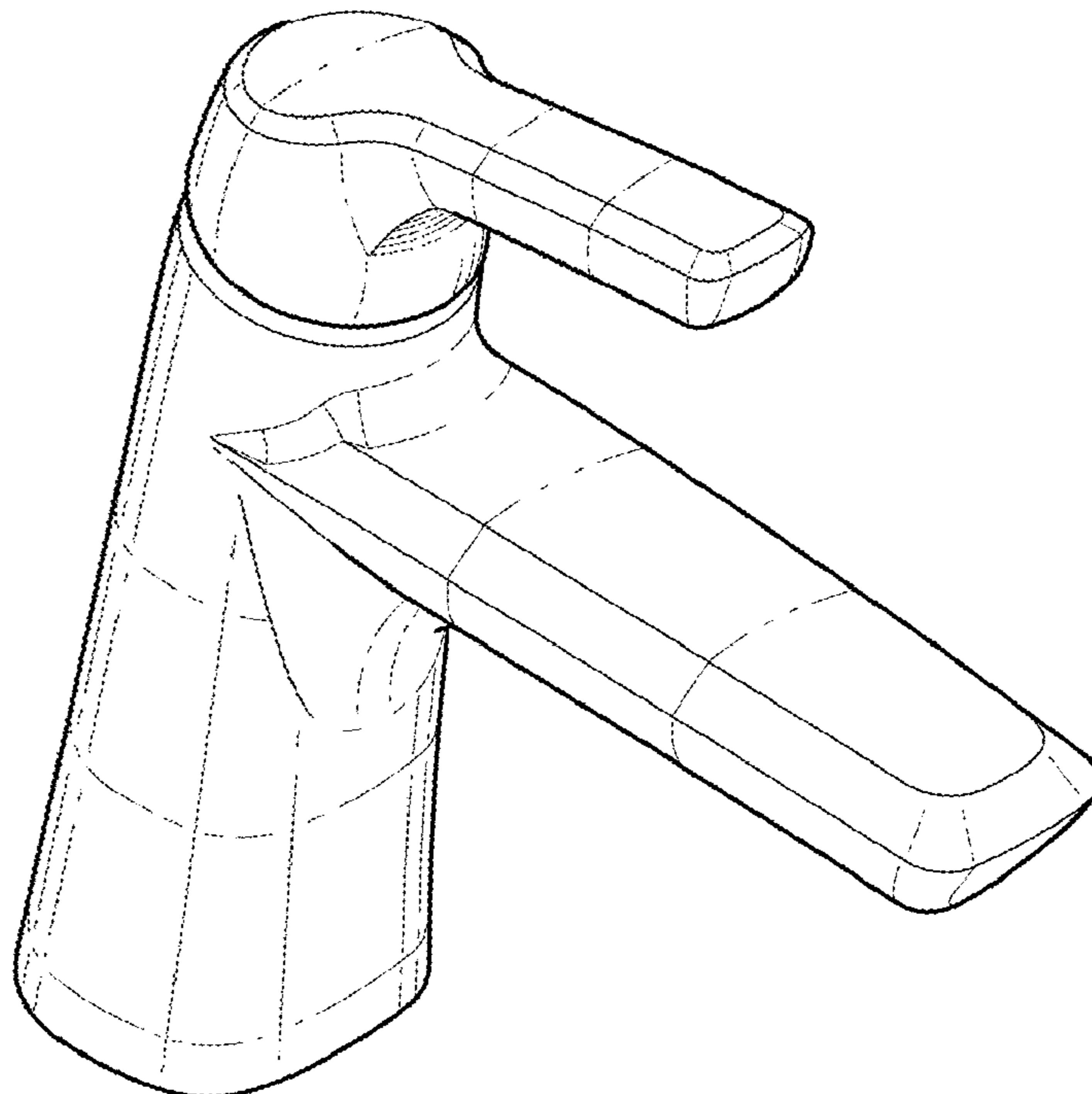
The ornamental design for a faucet, as shown and described.

DESCRIPTION

FIG. 1 is a perspective view of a faucet showing my new design;
FIG. 2 is a top plan view thereof;
FIG. 3 is a left side view thereof, the opposite side being a mirror image of the side shown;
FIG. 4 is a bottom view thereof;
FIG. 5 is a front elevational view thereof; and,
FIG. 6 is a rear view thereof.
The broken-line disclosure in the view represents a portion of the faucet in which the claimed design is embodied, but which forms no part of the claimed design.

1 Claim, 2 Drawing Sheets

(56) **References Cited**
U.S. PATENT DOCUMENTS
D659,800 S * 5/2012 Flowers D23/241
D693,904 S * 11/2013 Hahn D23/238
D698,421 S * 1/2014 Schoenherr D23/238
D700,955 S * 3/2014 Schoenherr D23/238
D708,709 S * 7/2014 Yu D23/238
D718,837 S * 12/2014 Garland D23/238



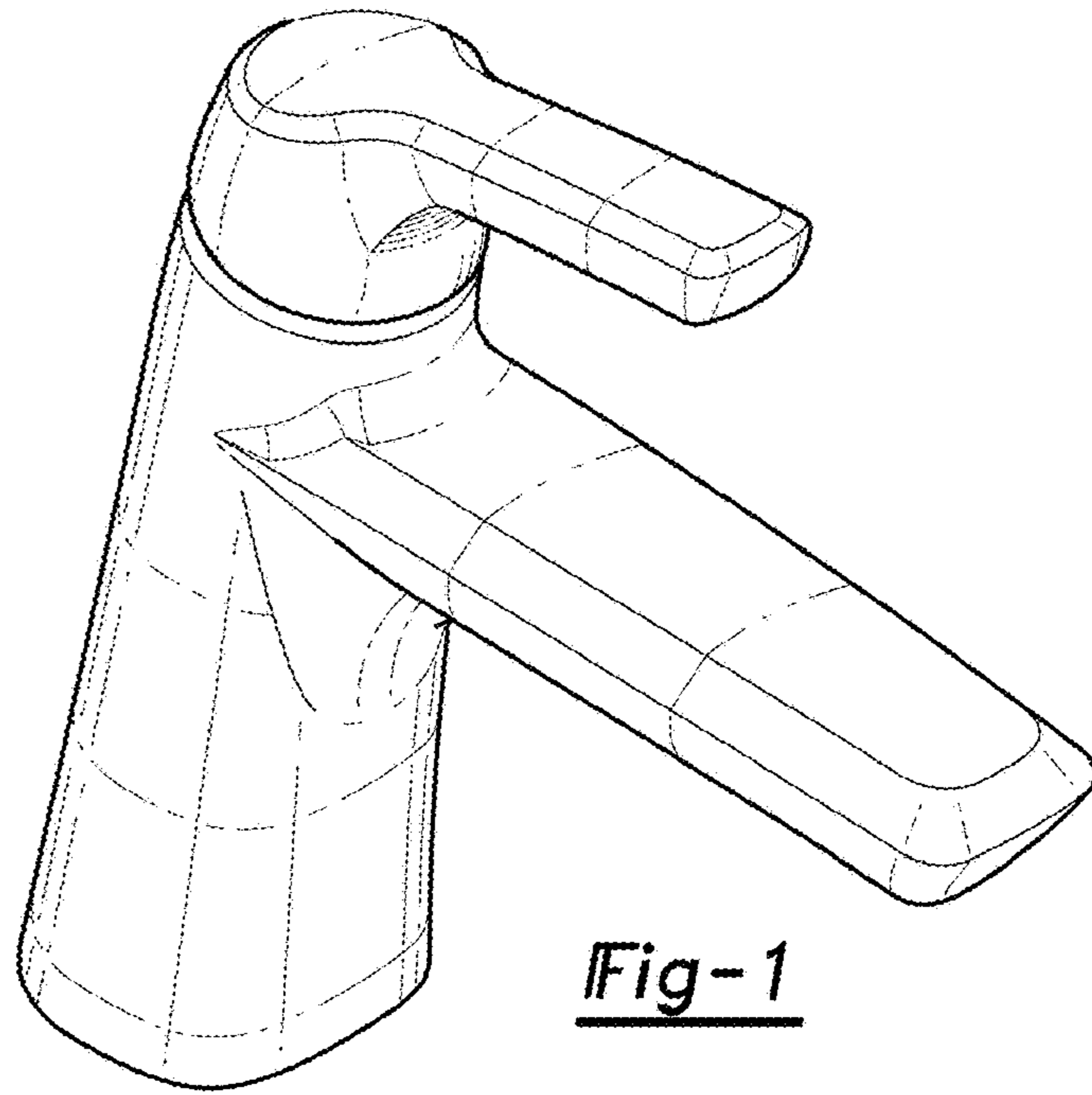
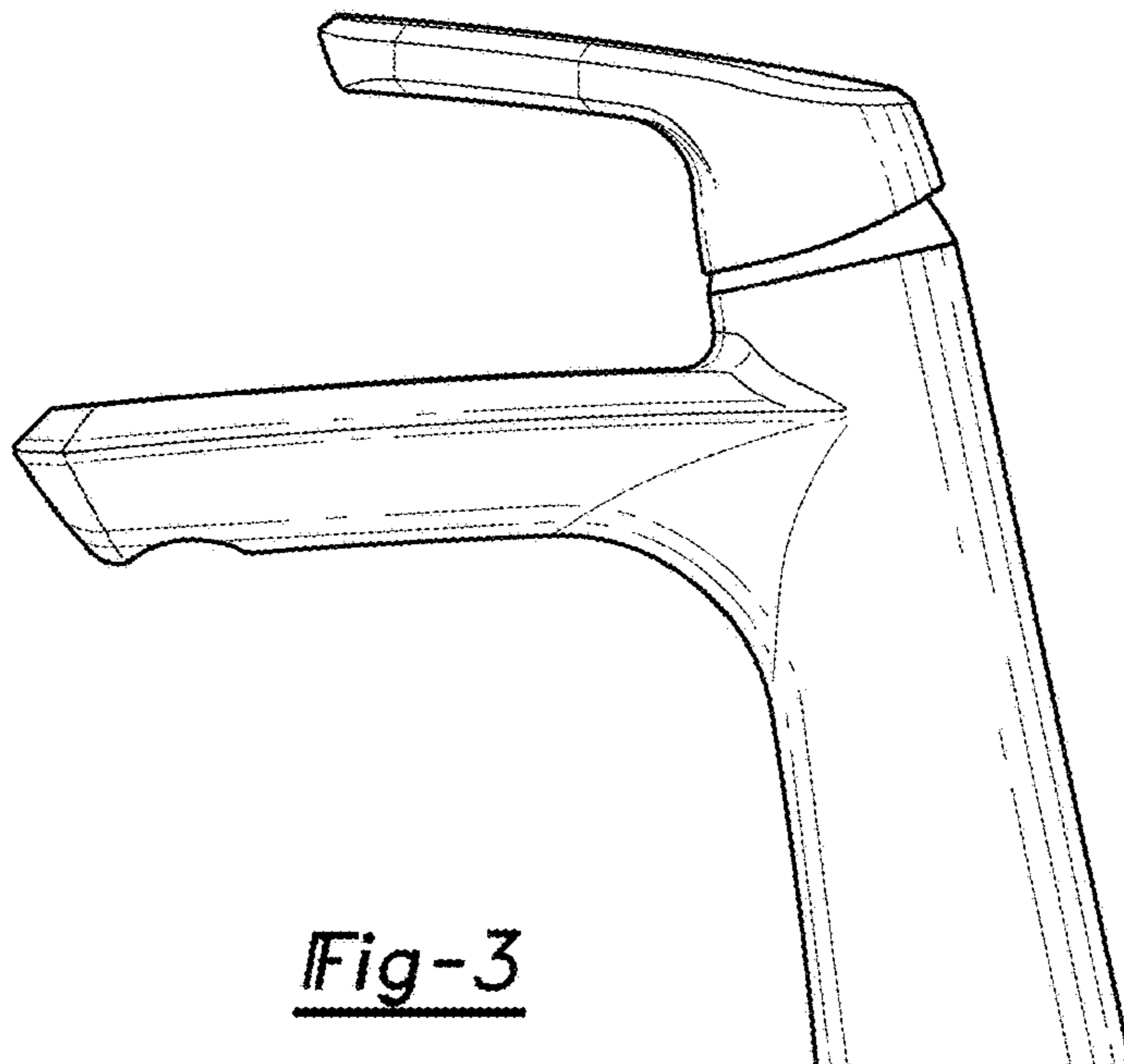
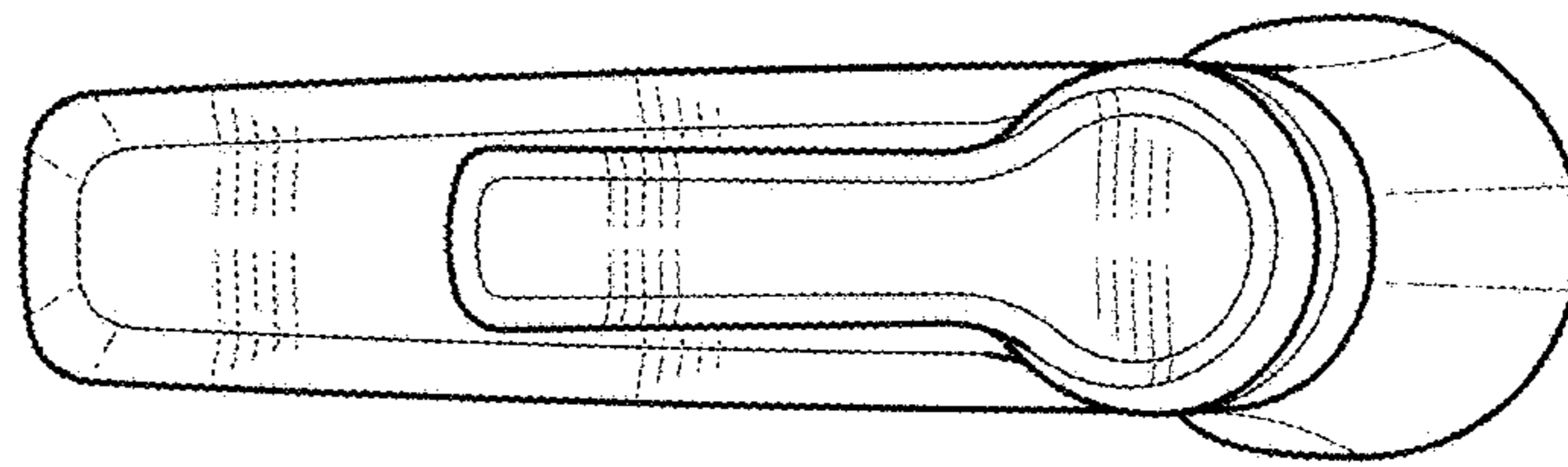


Fig-2



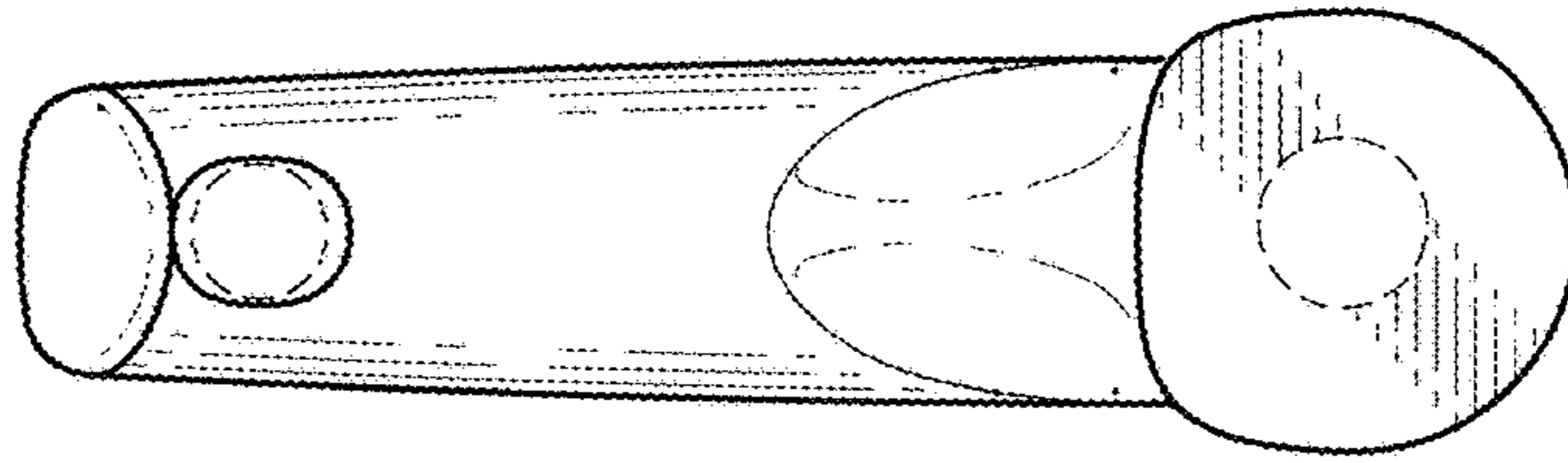


Fig-4

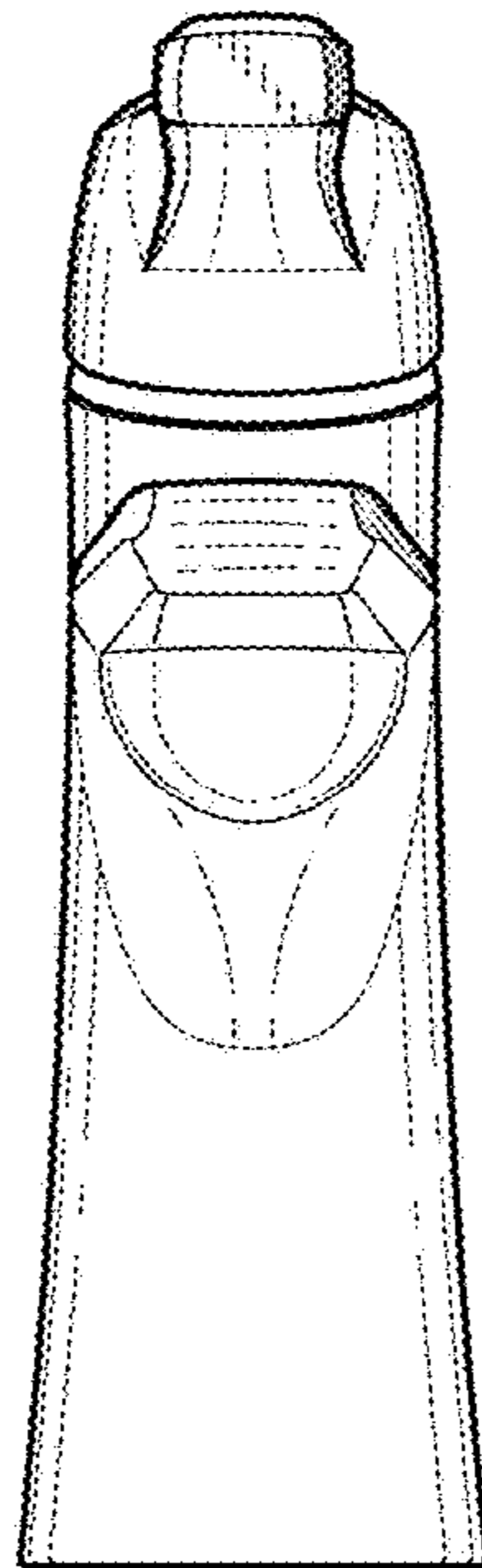


Fig-5

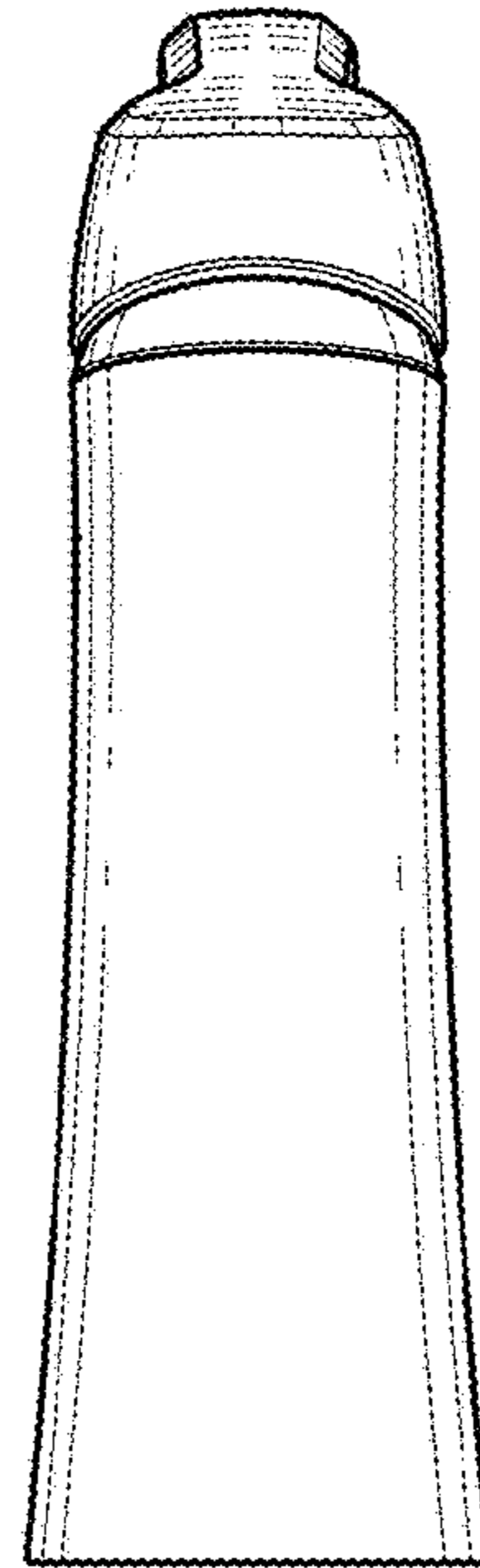


Fig-6