



US00D855769S

(12) **United States Design Patent** (10) **Patent No.:** **US D855,769 S**
Eads (45) **Date of Patent:** **** Aug. 6, 2019**

(54) **FAUCET**
(71) Applicant: **DELTA FAUCET COMPANY,**
Indianapolis, IN (US)
(72) Inventor: **Thad Eads,** Urbana, IN (US)
(73) Assignee: **DELTA FAUCET COMPANY,**
Indianapolis, IN (US)
(**) Term: **15 Years**
(21) Appl. No.: **29/644,472**
(22) Filed: **Apr. 18, 2018**
(51) **LOC (12) Cl.** **23-01**
(52) **U.S. Cl.**
USPC **D23/238**
(58) **Field of Classification Search**
USPC D23/238-245, 249-250, 252, 254-255,
D23/257; 4/675-678; D8/307-308
CPC Y10T 137/9464
See application file for complete search history.

D796,009 S * 8/2017 Sieger D23/255
D797,898 S * 9/2017 Bennett D23/255
D800,273 S * 10/2017 Andrew D23/255
D805,607 S * 12/2017 Streng D23/240
D809,629 S * 2/2018 Streng D23/240
D819,185 S * 5/2018 Ravassa D23/255
D828,502 S * 9/2018 Schoenherr D23/238
D837,946 S * 1/2019 Schoenherr D23/255

* cited by examiner

Primary Examiner — Eric L Goodman
Assistant Examiner — Amy C Wierenga
(74) *Attorney, Agent, or Firm* — Edgar A. Zarins; Nirav D. Parikh

(57) **CLAIM**

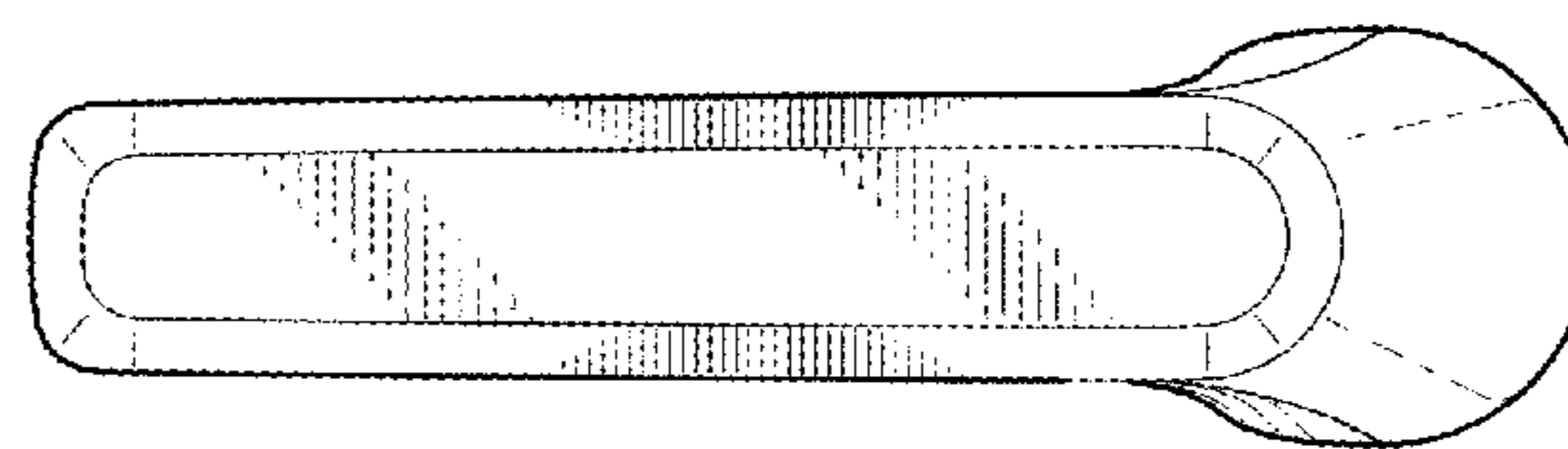
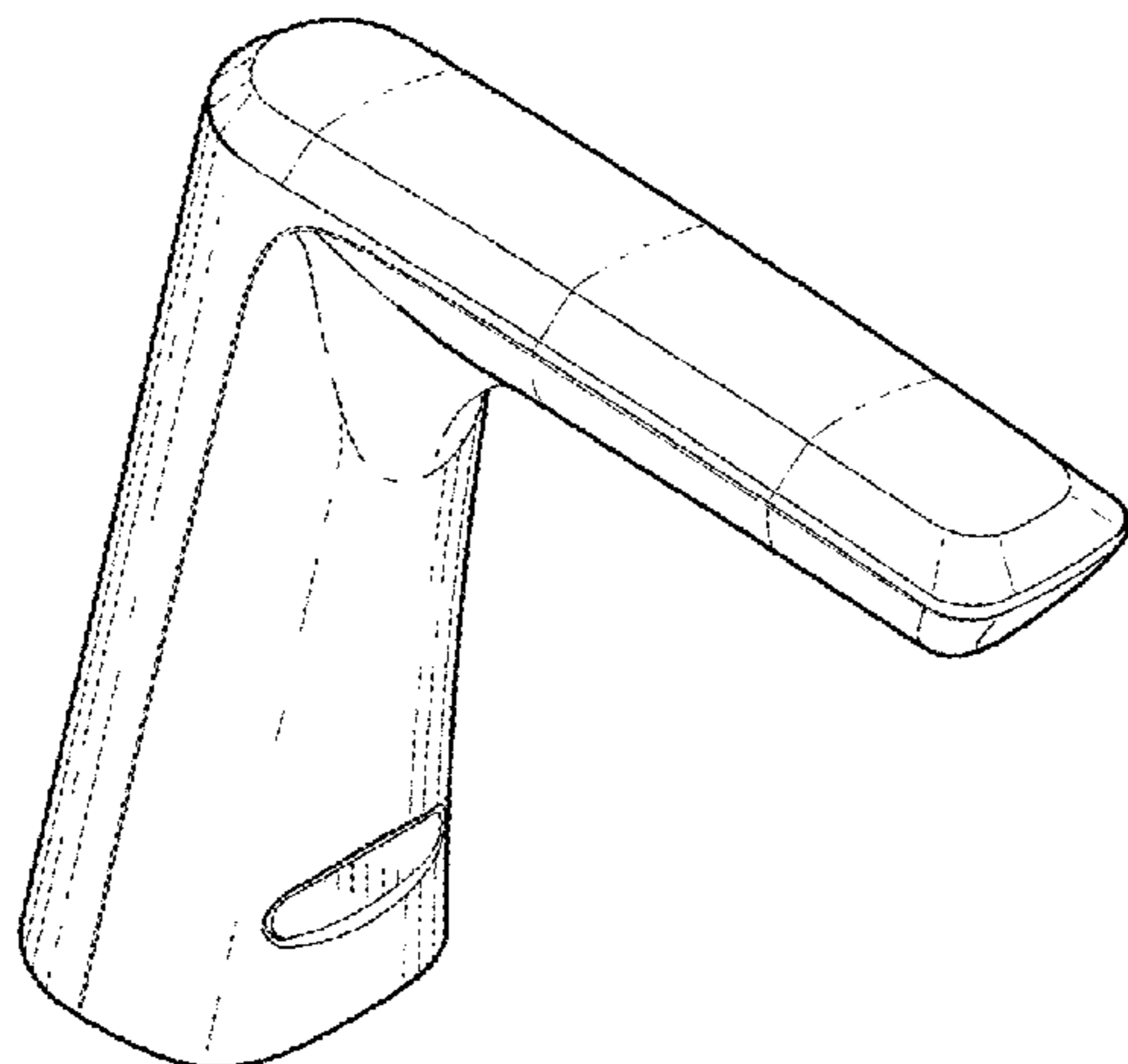
The ornamental design for a faucet, as shown and described.

DESCRIPTION

FIG. 1 is a perspective view of a faucet showing my new design;
FIG. 2 is a top plan view thereof;
FIG. 3 is a left side view thereof, the opposite side being a mirror image of the side shown;
FIG. 4 is a bottom view thereof;
FIG. 5 is a rear view thereof; and,
FIG. 6 is a front elevational view thereof.
The broken-line disclosure in the view represents a portion of the faucet in which the claimed design is embodied, but which forms no part of the claimed design.

1 Claim, 2 Drawing Sheets

(56) **References Cited**
U.S. PATENT DOCUMENTS
D667,533 S * 9/2012 Lammel D23/238
D701,592 S * 3/2014 Zhenqiang D23/238
D721,165 S * 1/2015 Downey D23/255
D732,144 S * 6/2015 Bahler D23/257
D733,260 S * 6/2015 Thompson D23/255
D787,644 S * 5/2017 Hong D23/255



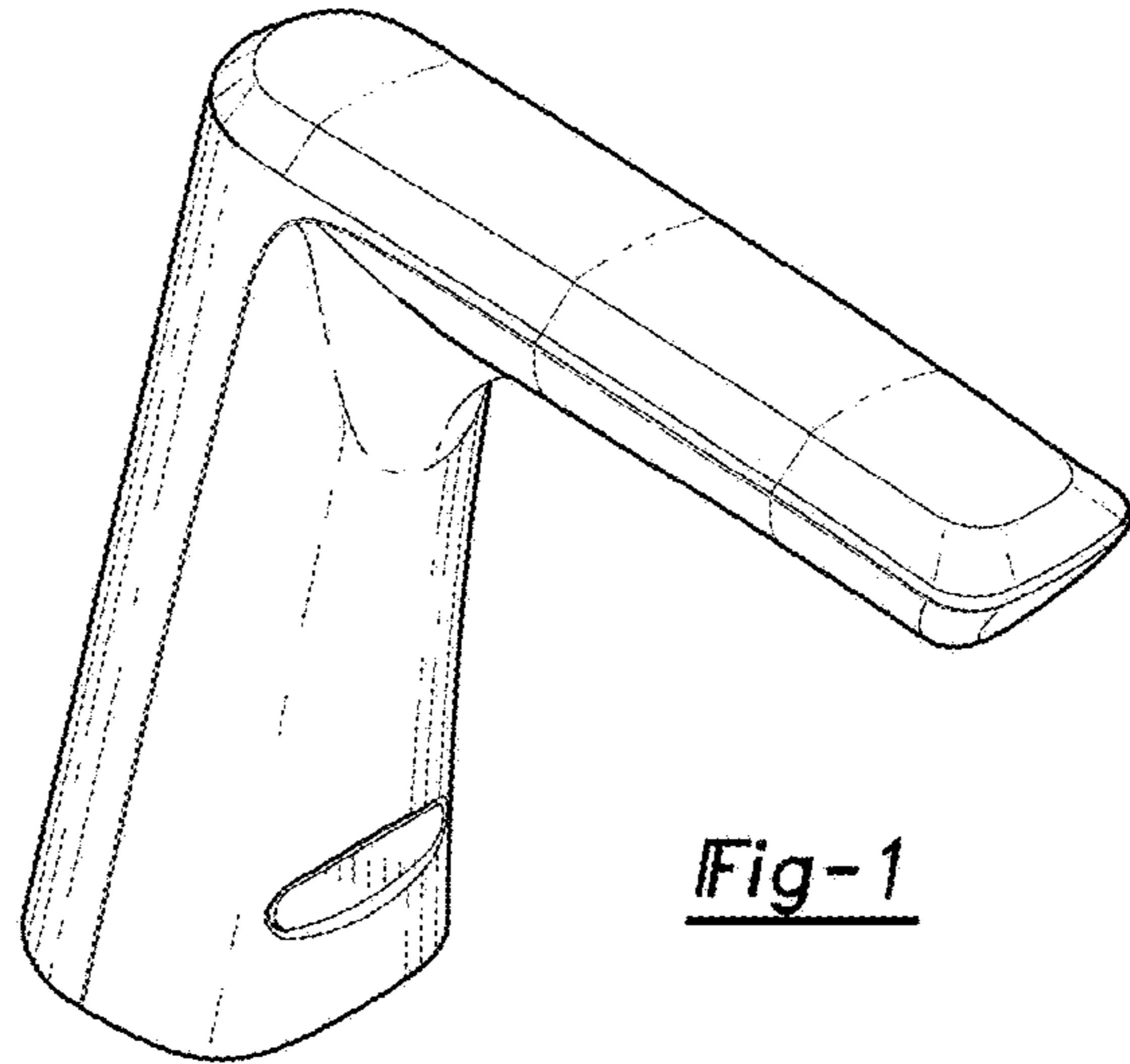


Fig-1

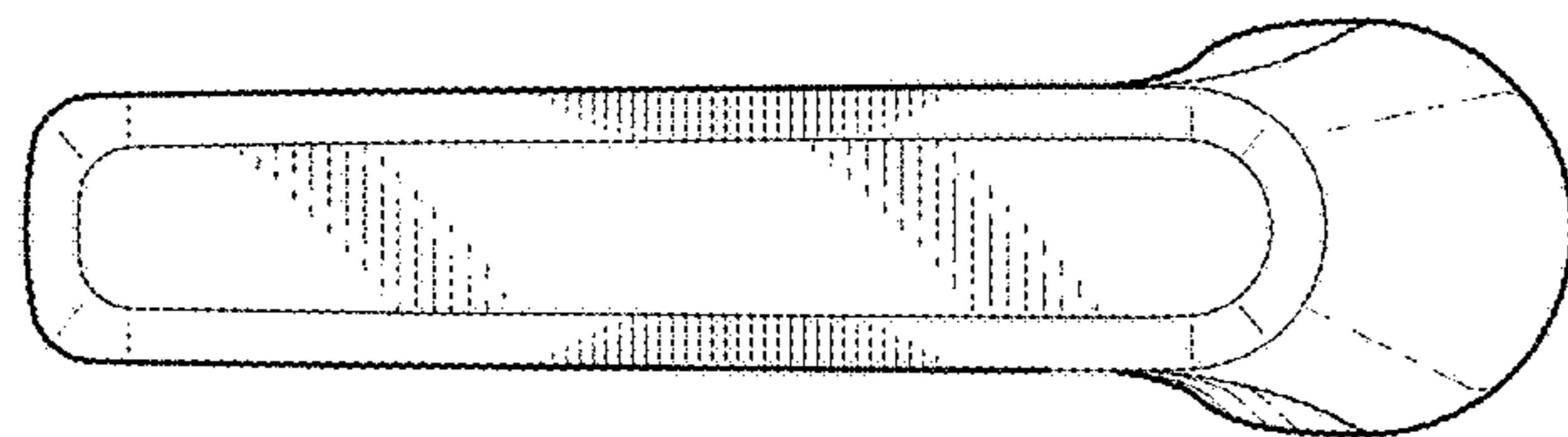


Fig-2

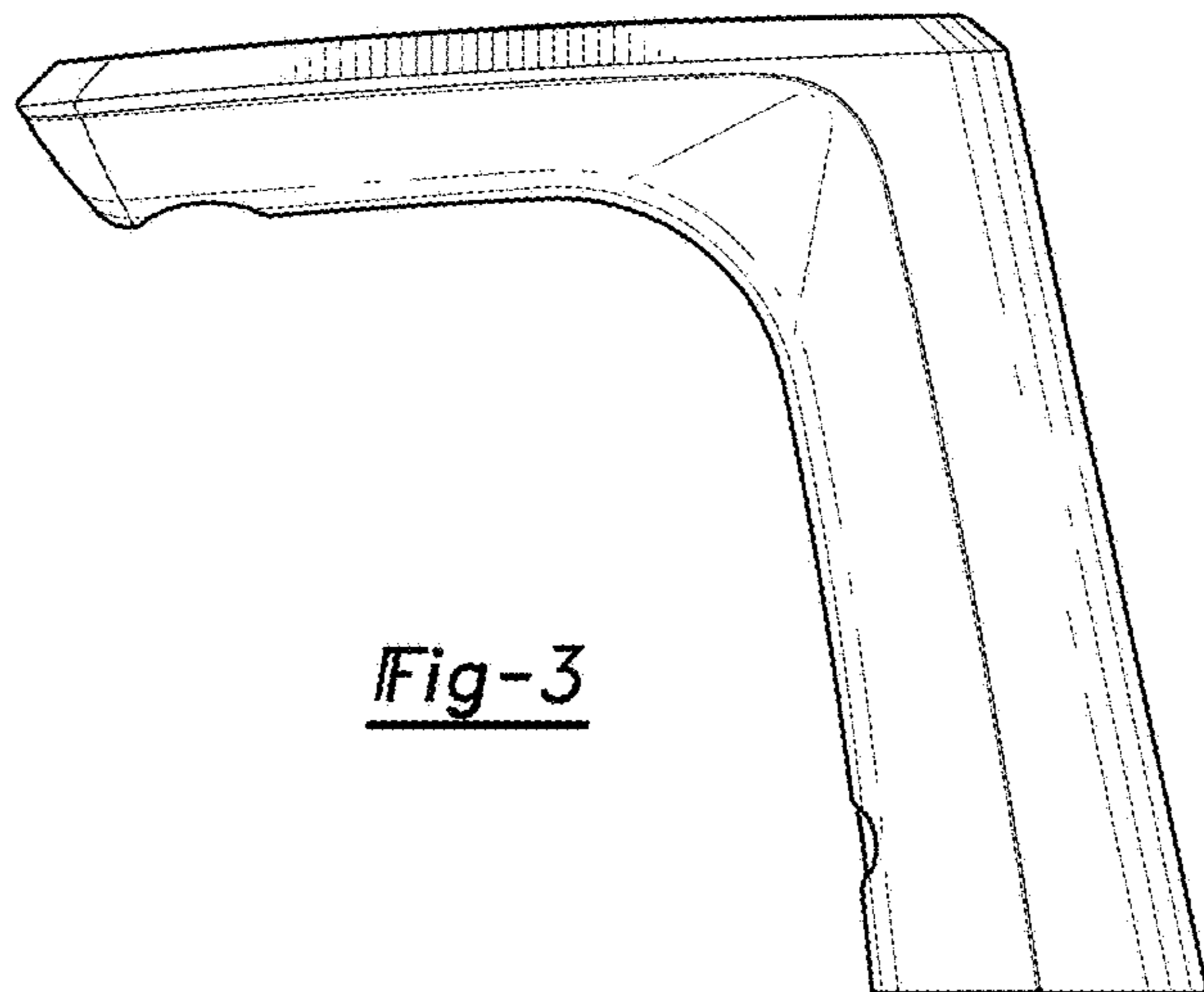


Fig-3

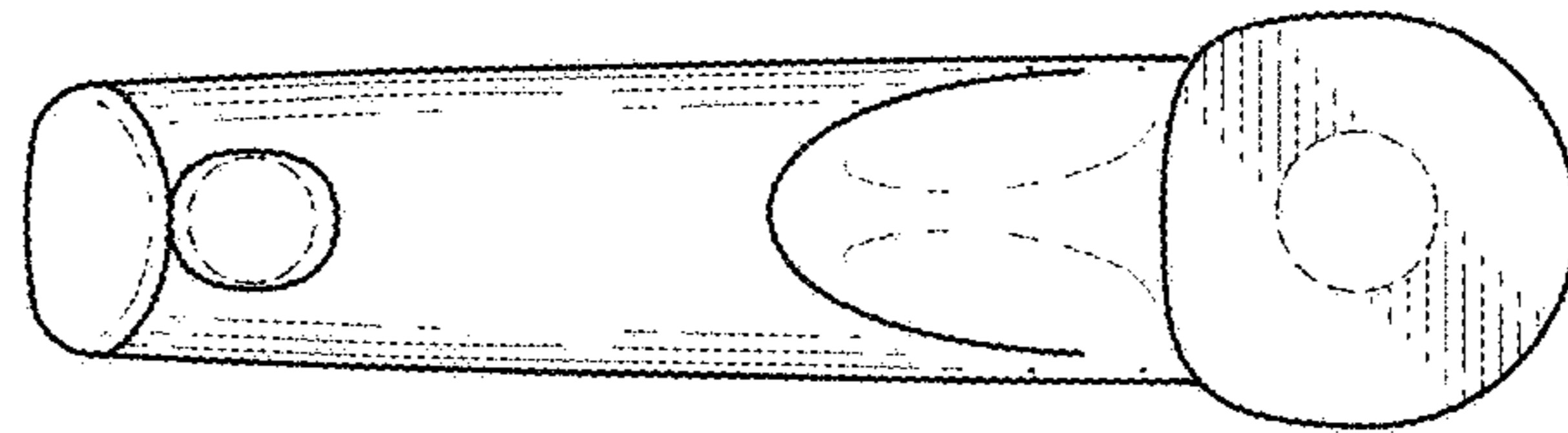


Fig-4

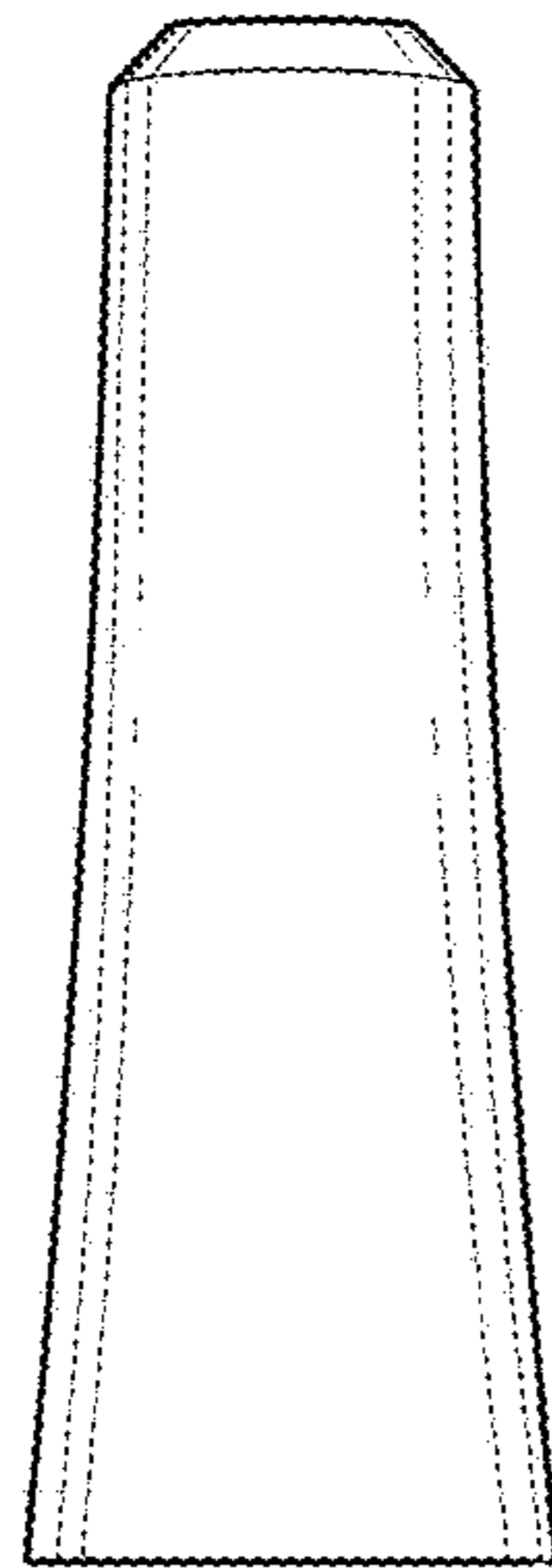


Fig-5

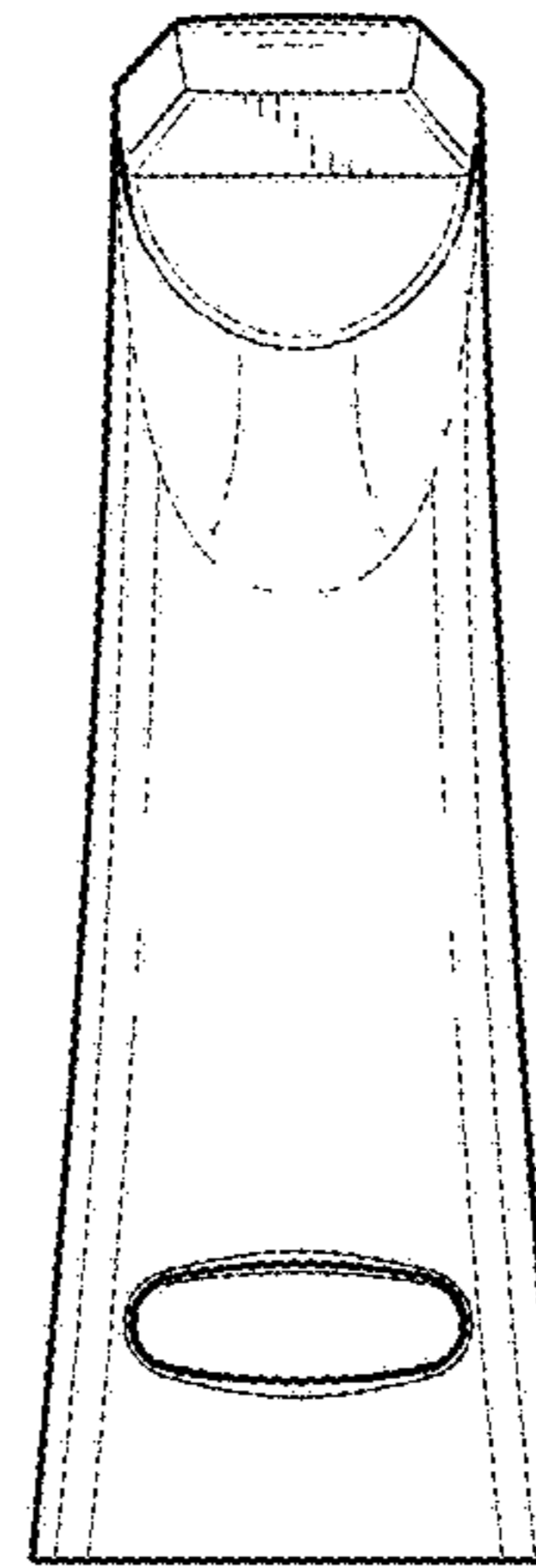


Fig-6