



US00D855768S

(12) **United States Design Patent** (10) **Patent No.:** **US D855,768 S**
Eads (45) **Date of Patent:** **** Aug. 6, 2019**

- (54) **FAUCET**
- (71) Applicant: **DELTA FAUCET COMPANY,**
Indianapolis, IN (US)
- (72) Inventor: **Thad Eads,** Urbana, IN (US)
- (73) Assignee: **DELTA FAUCET COMPANY,**
Indianapolis, IN (US)
- (**) Term: **15 Years**
- (21) Appl. No.: **29/644,319**
- (22) Filed: **Apr. 17, 2018**
- (51) **LOC (12) Cl.** **23-01**
- (52) **U.S. Cl.**
USPC **D23/238**
- (58) **Field of Classification Search**
USPC D23/238-243, 249-252, 254-255, 257;
D8/307-308
CPC Y10T 137/9464
See application file for complete search history.

- D769,418 S * 10/2016 Eads D23/238
- D800,262 S * 10/2017 Andrew D23/238
- D800,272 S * 10/2017 Andrew D23/255
- D820,399 S * 6/2018 Garland D23/238

* cited by examiner

Primary Examiner — Eric L Goodman
Assistant Examiner — Amy C Wierenga
(74) *Attorney, Agent, or Firm* — Edgar A. Zarins; Nirav D. Parikh

(57) **CLAIM**

The ornamental design for a faucet, as shown and described.

DESCRIPTION

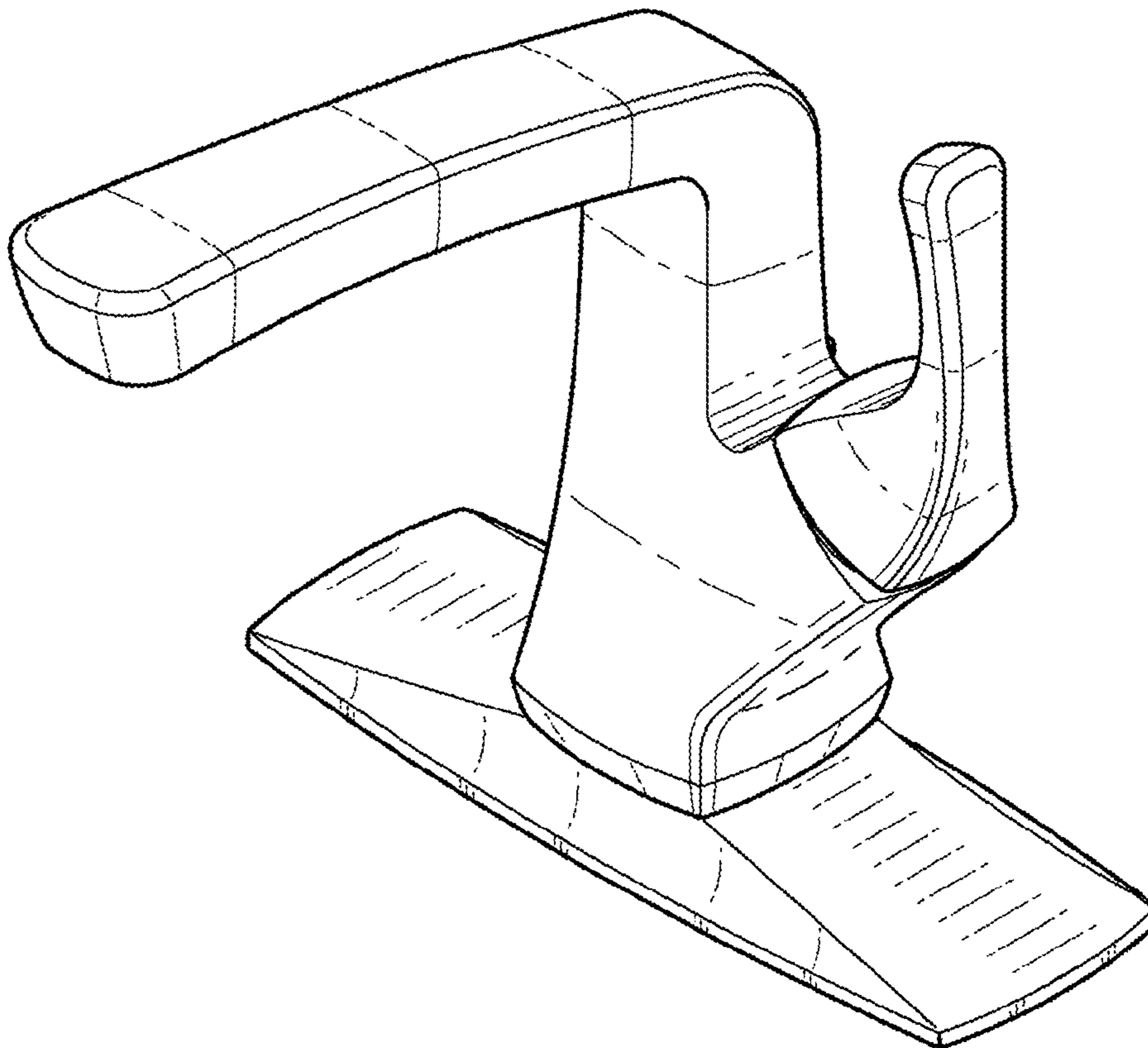
FIG. 1 is a perspective view of a faucet showing my new design;
FIG. 2 is a top plan view thereof;
FIG. 3 is a left side view thereof;
FIG. 4 is a front elevational view thereof;
FIG. 5 is a right side view thereof;
FIG. 6 is a rear view thereof; and,
FIG. 7 is a bottom view thereof.
The broken-line disclosure in the view represents a portion of the faucet in which the claimed design is embodied, but which forms no part of the claimed design.

(56) **References Cited**

U.S. PATENT DOCUMENTS

- D687,518 S * 8/2013 Garland D23/238
- D708,710 S * 7/2014 Yu D23/238

1 Claim, 4 Drawing Sheets



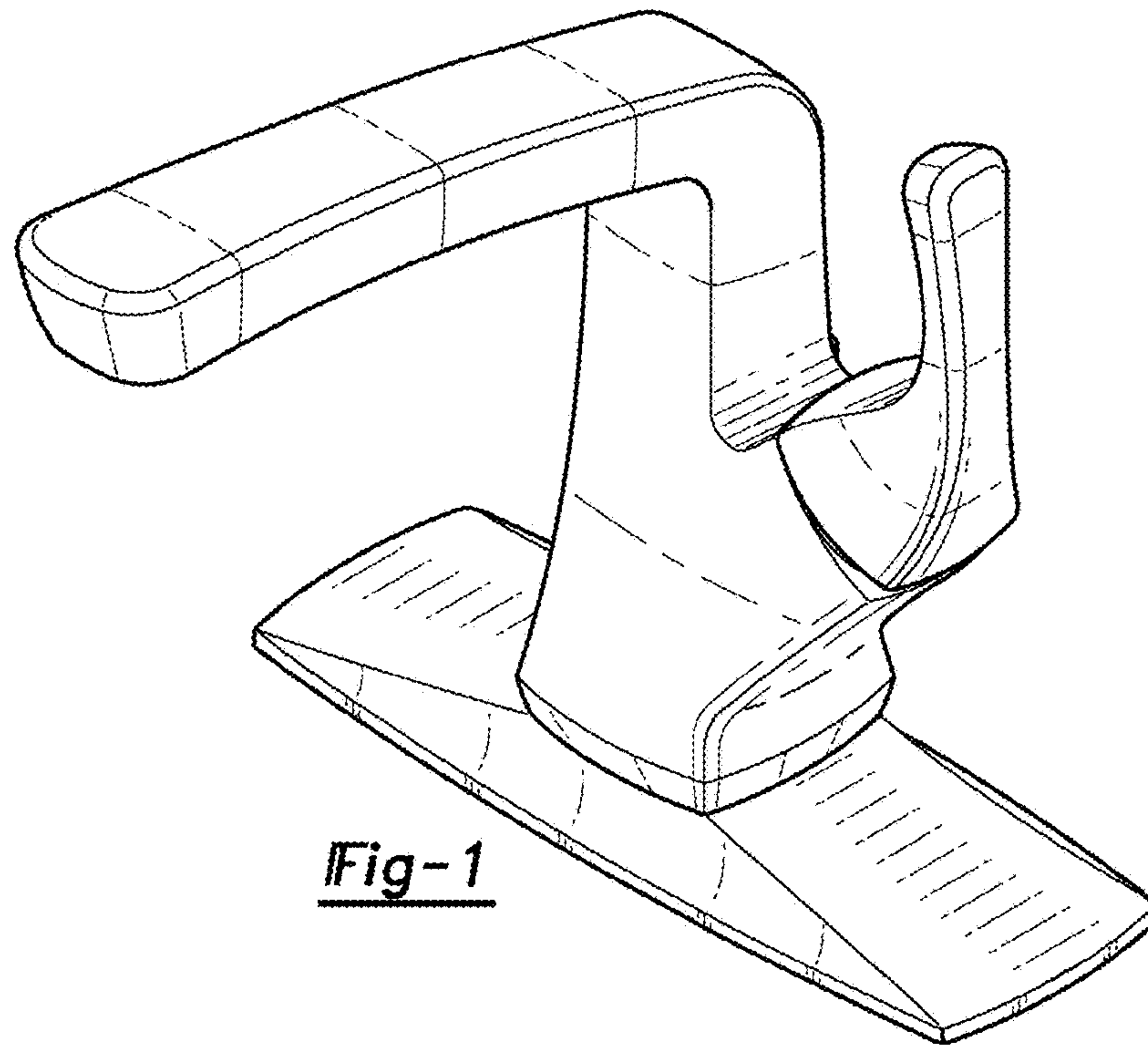


Fig-1

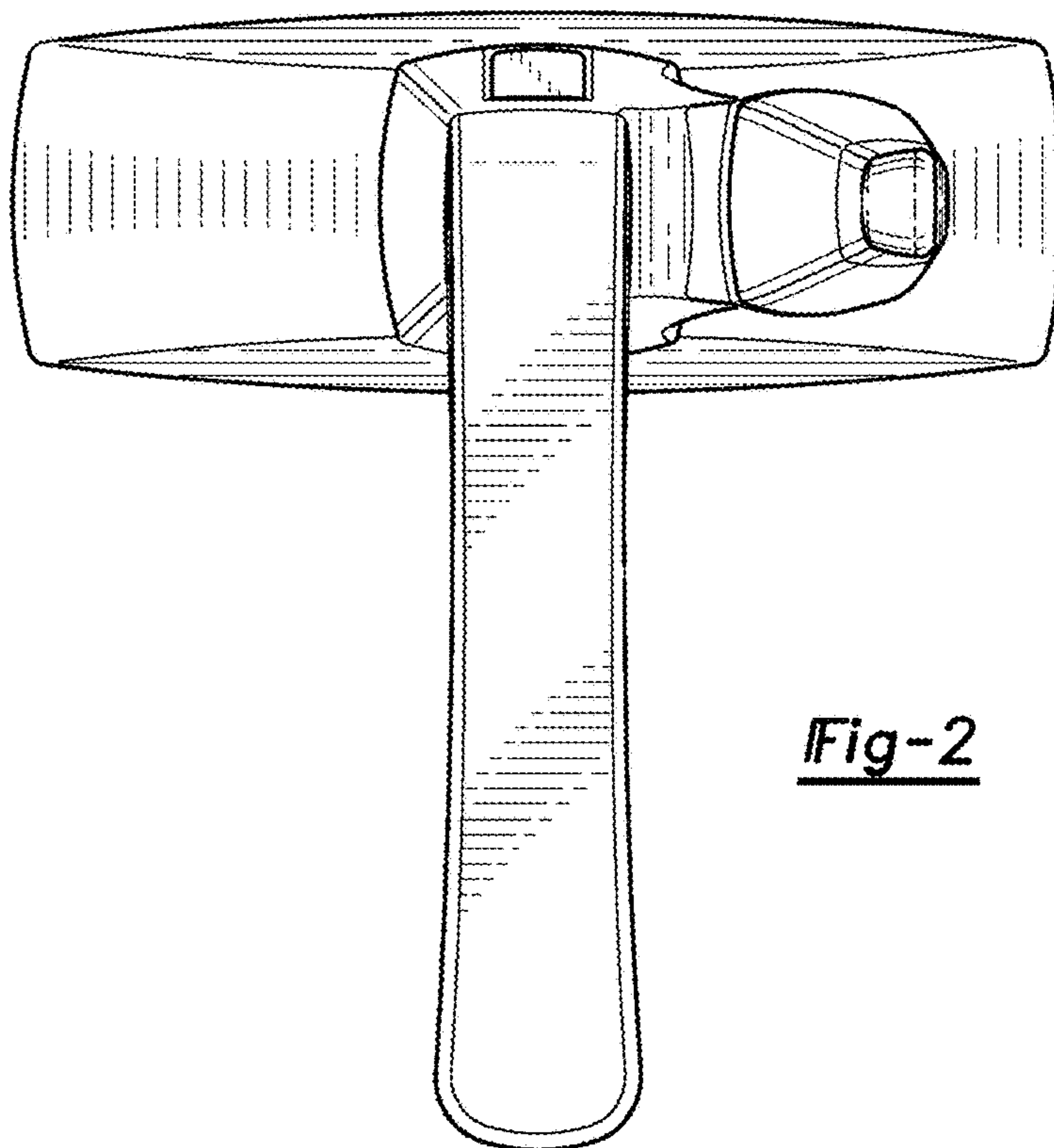


Fig-2

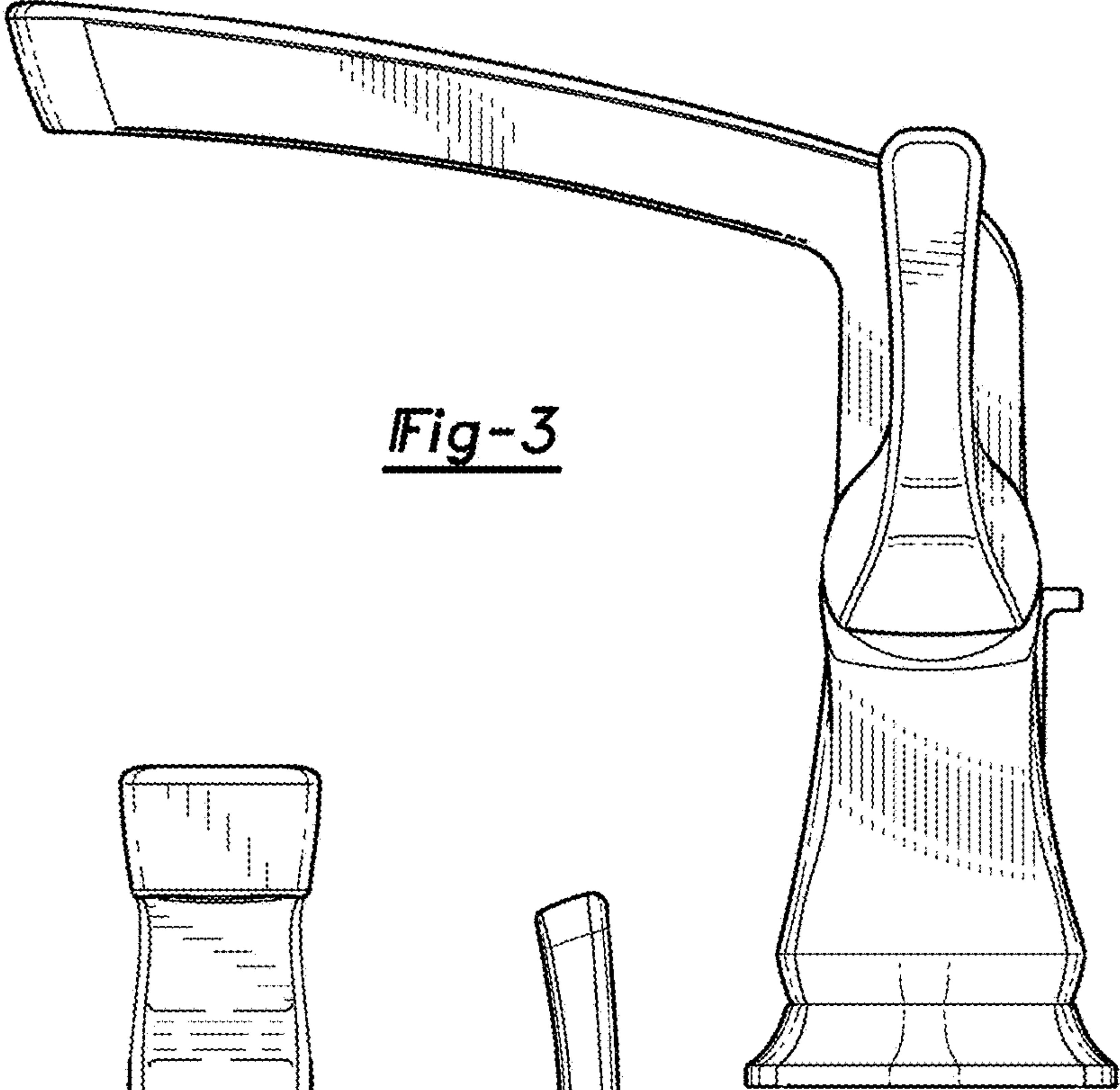


Fig-3

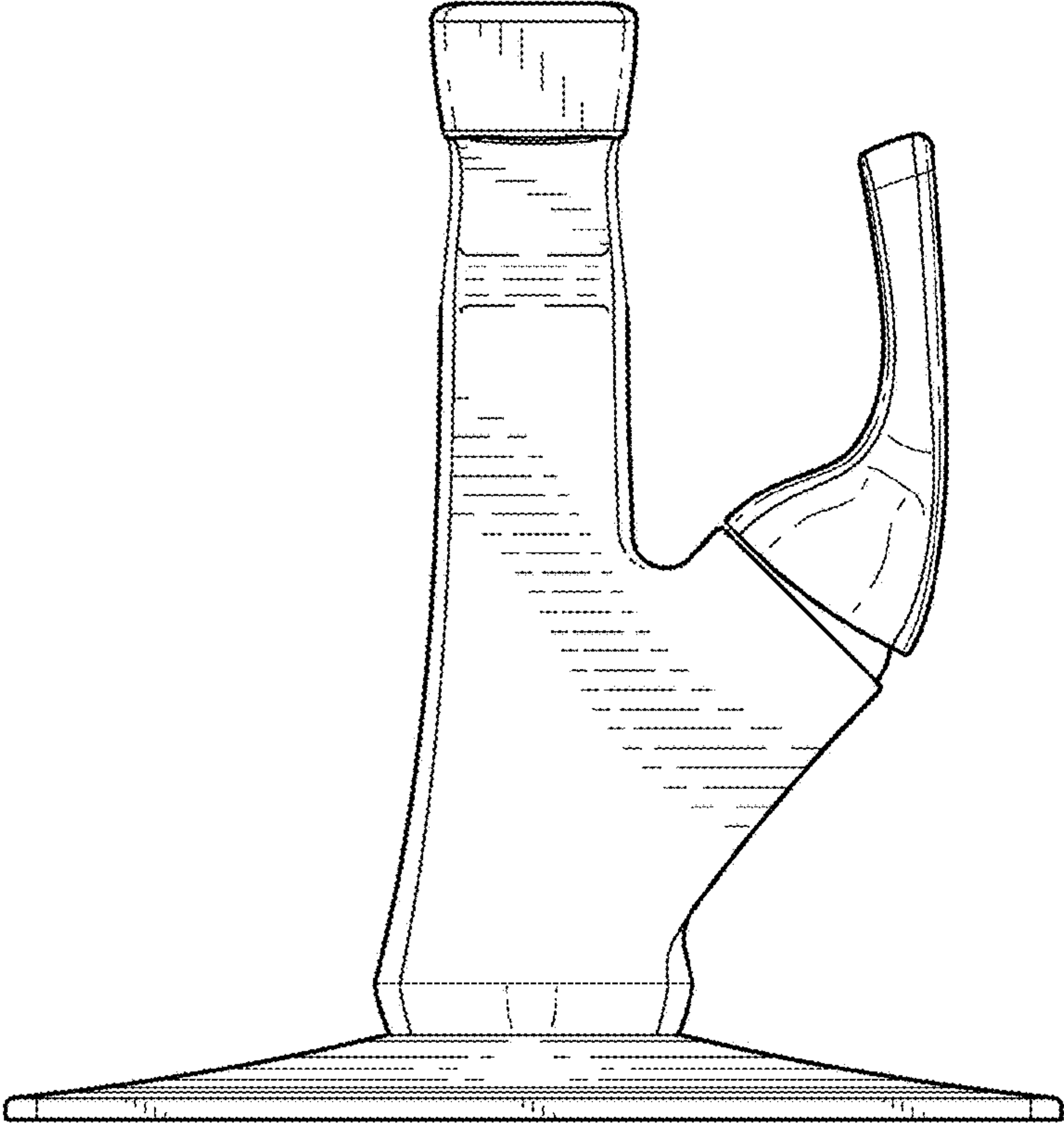


Fig-4

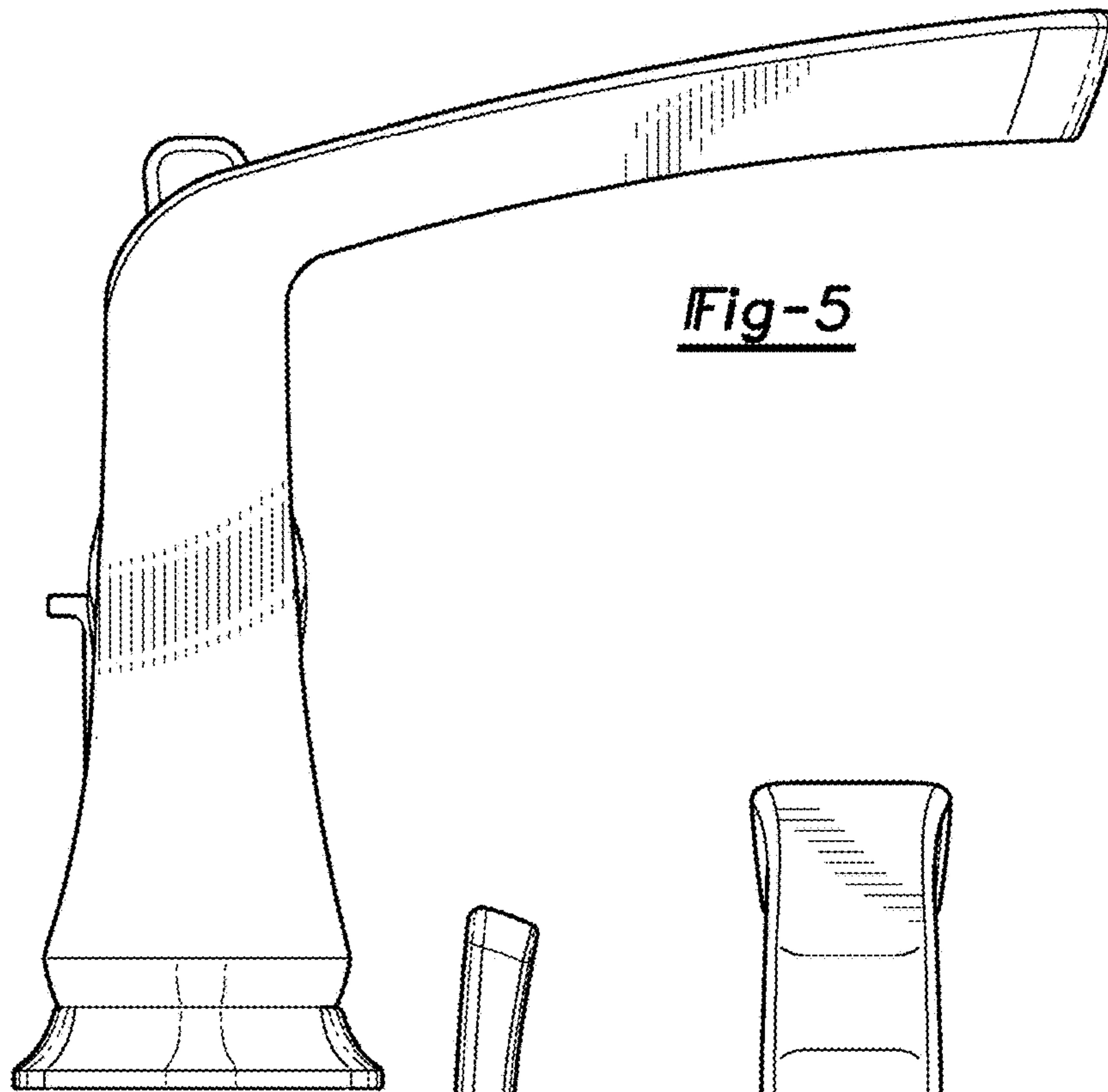


Fig-5

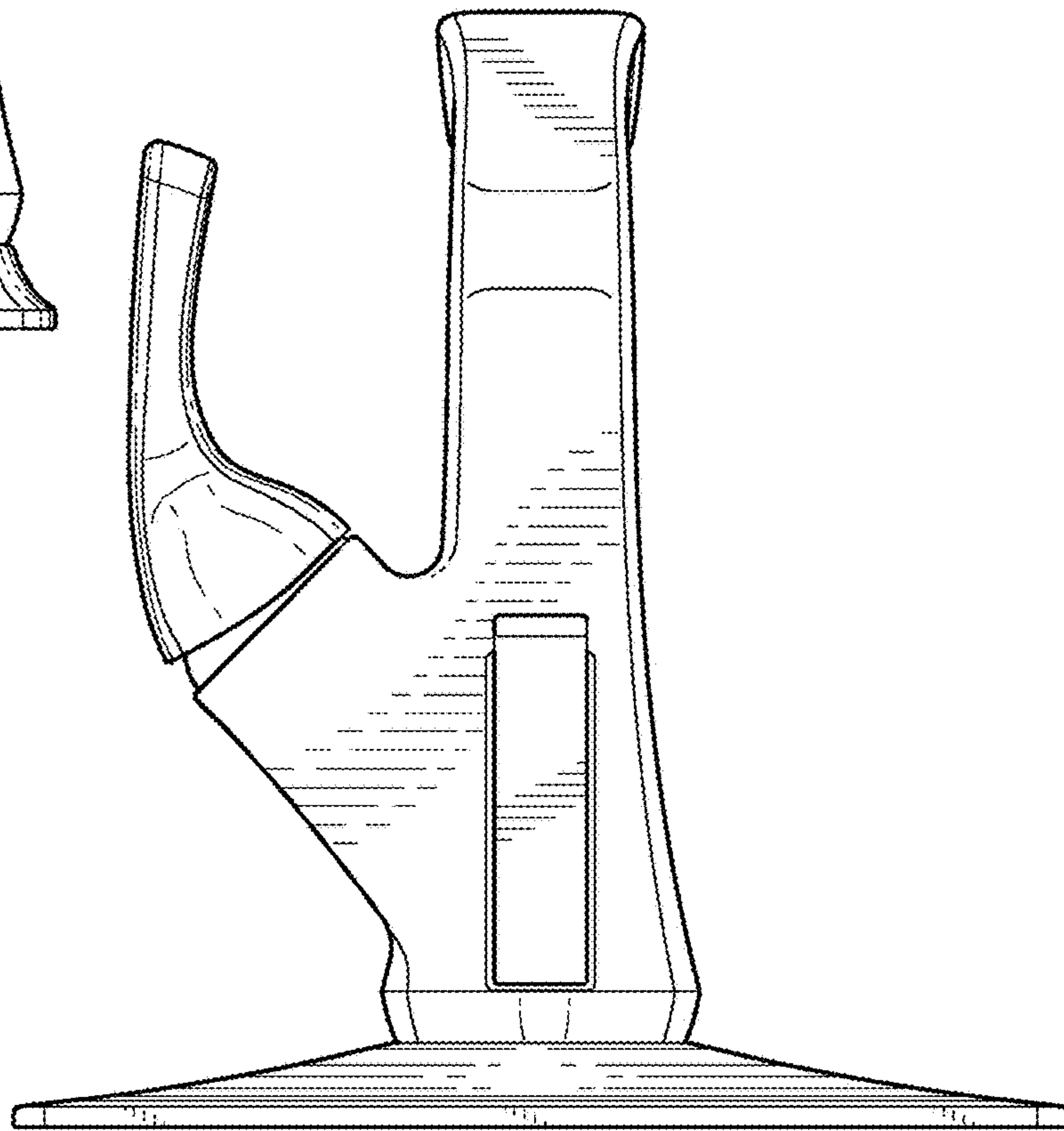


Fig-6

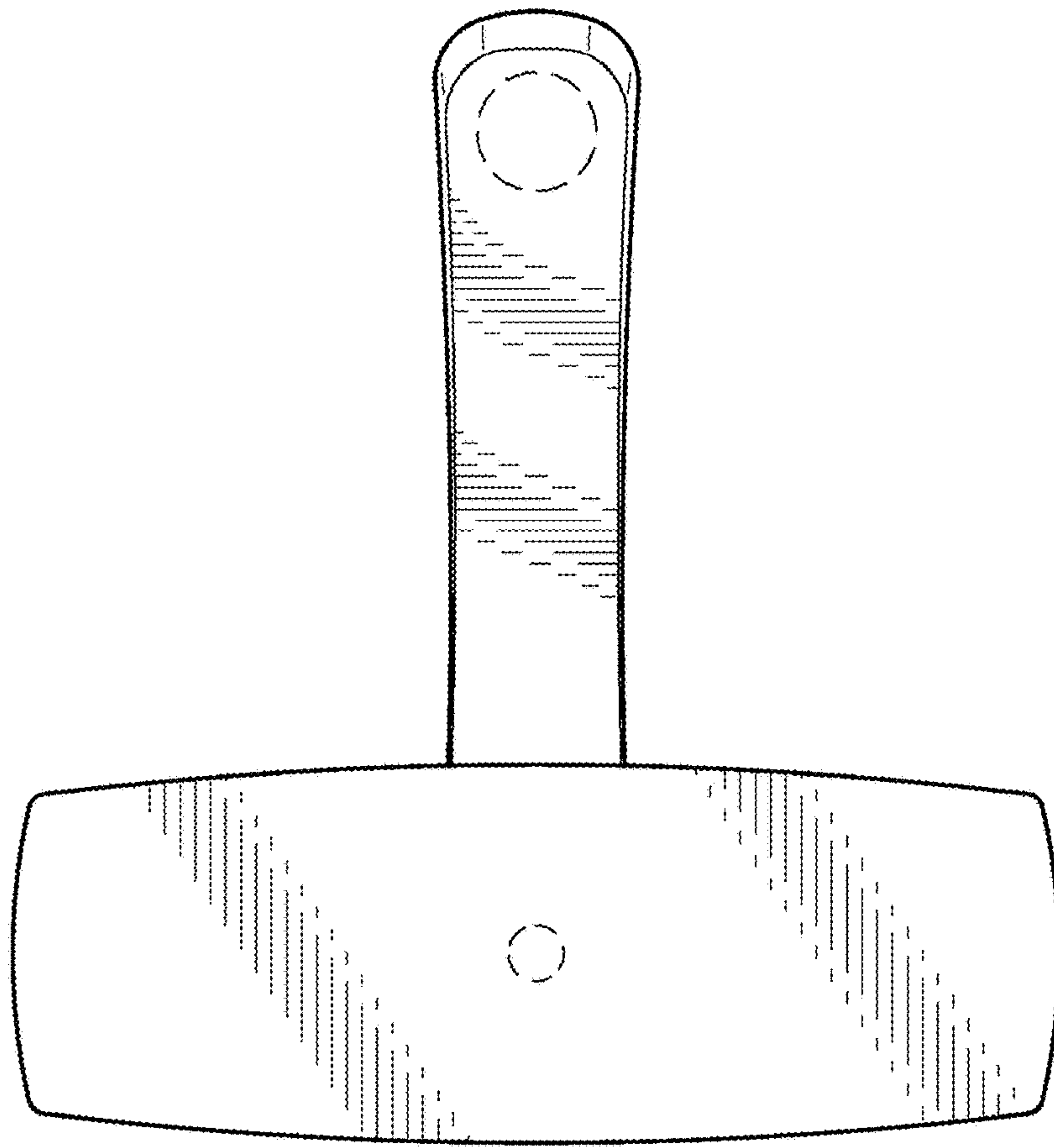


Fig-7