



US00D855767S

(12) **United States Design Patent**
Gessi

(10) **Patent No.:** **US D855,767 S**

(45) **Date of Patent:** **** Aug. 6, 2019**

(54) **FAUCET**

(71) Applicant: **GESSI S.P.A.**, Serravalle Sesia (VC)
(IT)

(72) Inventor: **Gian Luca Gessi**, Serravalle Sesia (IT)

(73) Assignee: **GESSI S.P.A.**, Serravalle Sesia (VC)
(IT)

(**) Term: **15 Years**

(21) Appl. No.: **29/643,409**

(22) Filed: **Apr. 9, 2018**

(30) **Foreign Application Priority Data**

Oct. 9, 2017 (IT) 402017000113332

(51) **LOC (12) Cl.** **23-01**

(52) **U.S. Cl.**
USPC **D23/238**

(58) **Field of Classification Search**
USPC D23/238-243, 249-252, 254-255, 257;
D8/307-308
CPC Y10T 137/9464
See application file for complete search history.

(56) **References Cited**

U.S. PATENT DOCUMENTS

D589,594 S * 3/2009 Lammel D23/238
8,413,686 B2 * 4/2013 Ko E03C 1/0404
137/801

D687,127 S * 7/2013 Fritz D23/238
D708,713 S * 7/2014 Yu D23/238
D709,166 S * 7/2014 Yu D23/238
8,869,821 B2 * 10/2014 Laera E03C 1/0404
137/355.16
D804,615 S * 12/2017 Seum D23/238
D804,616 S * 12/2017 Flowers D23/238
9,850,642 B2 * 12/2017 Enlow E03C 1/0404
D810,875 S * 2/2018 Bahler D23/238
D833,577 S * 11/2018 Clarke D23/238
D835,238 S * 12/2018 Ziemann D23/238

* cited by examiner

Primary Examiner — Eric L Goodman

Assistant Examiner — Amy C Wierenga

(74) *Attorney, Agent, or Firm* — Underwood &
Associates, LLC

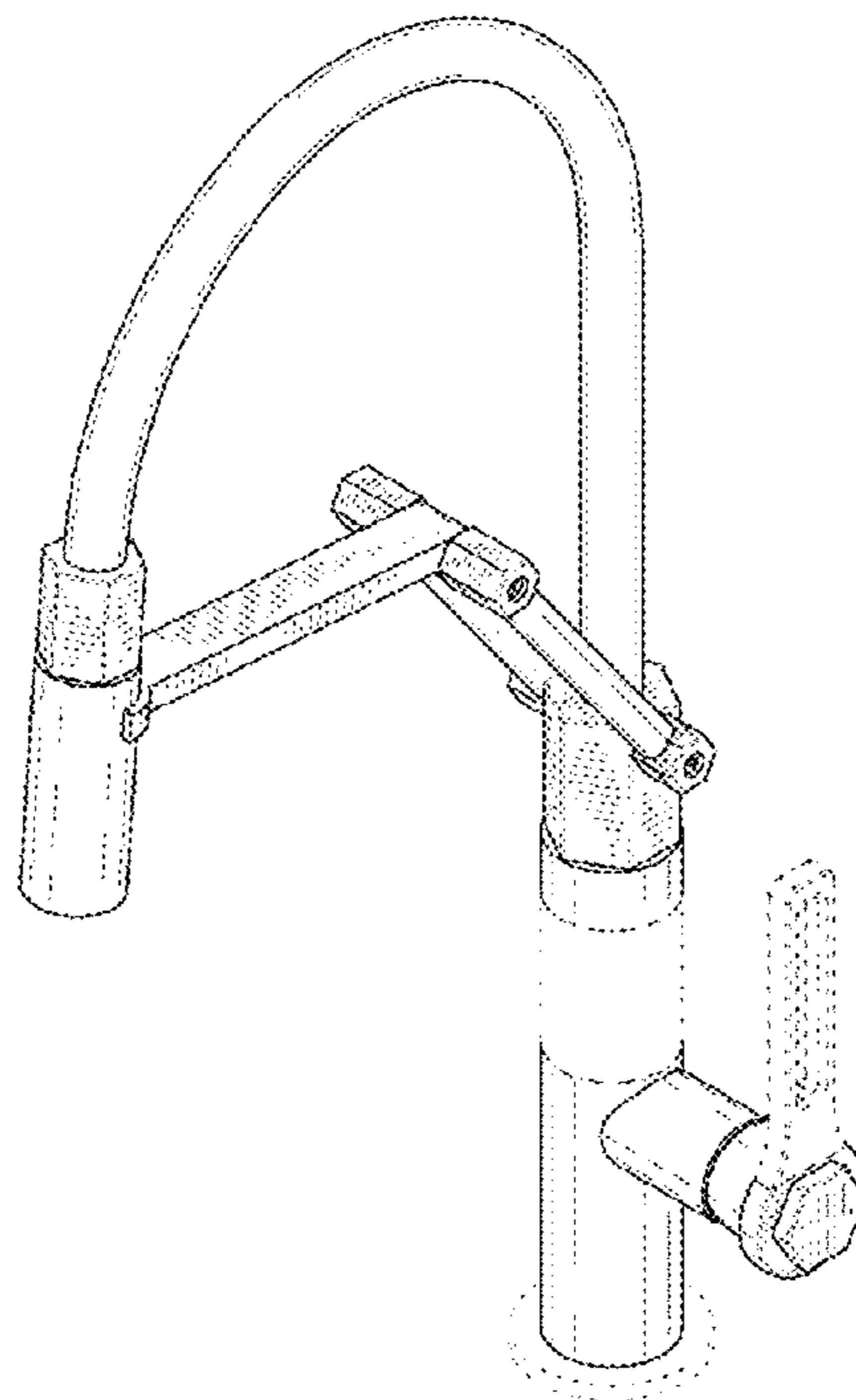
(57) **CLAIM**

The ornamental design for a faucet, as shown and described.

DESCRIPTION

FIG. 1 is a perspective view of a faucet;
FIG. 2 is a top view of the faucet of FIG. 1;
FIG. 3 is a bottom view of the faucet of FIG. 1;
FIG. 4 is a front view of the faucet of FIG. 1;
FIG. 5 is a back view of the faucet of FIG. 1;
FIG. 6 is a left view of the faucet of FIG. 1; and,
FIG. 7 is a right view of the faucet of FIG. 1.
The evenly spaced broken lines shown in the drawings
illustrate portions of the faucet that form no part of the claim.
The dash-dot-dash broken lines represent the boundaries of
the claim and form no part of the claim.

1 Claim, 7 Drawing Sheets



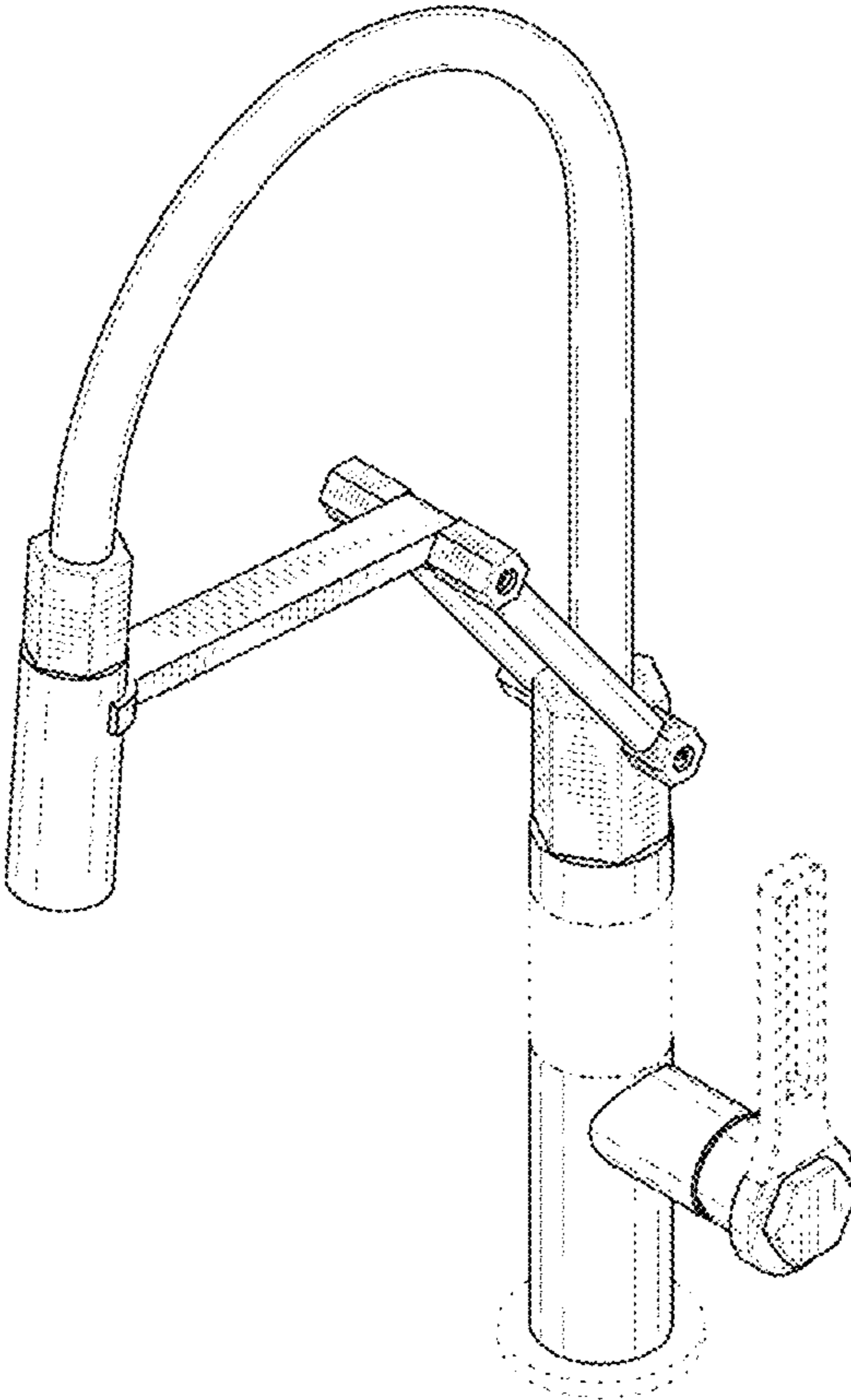


FIG. 1

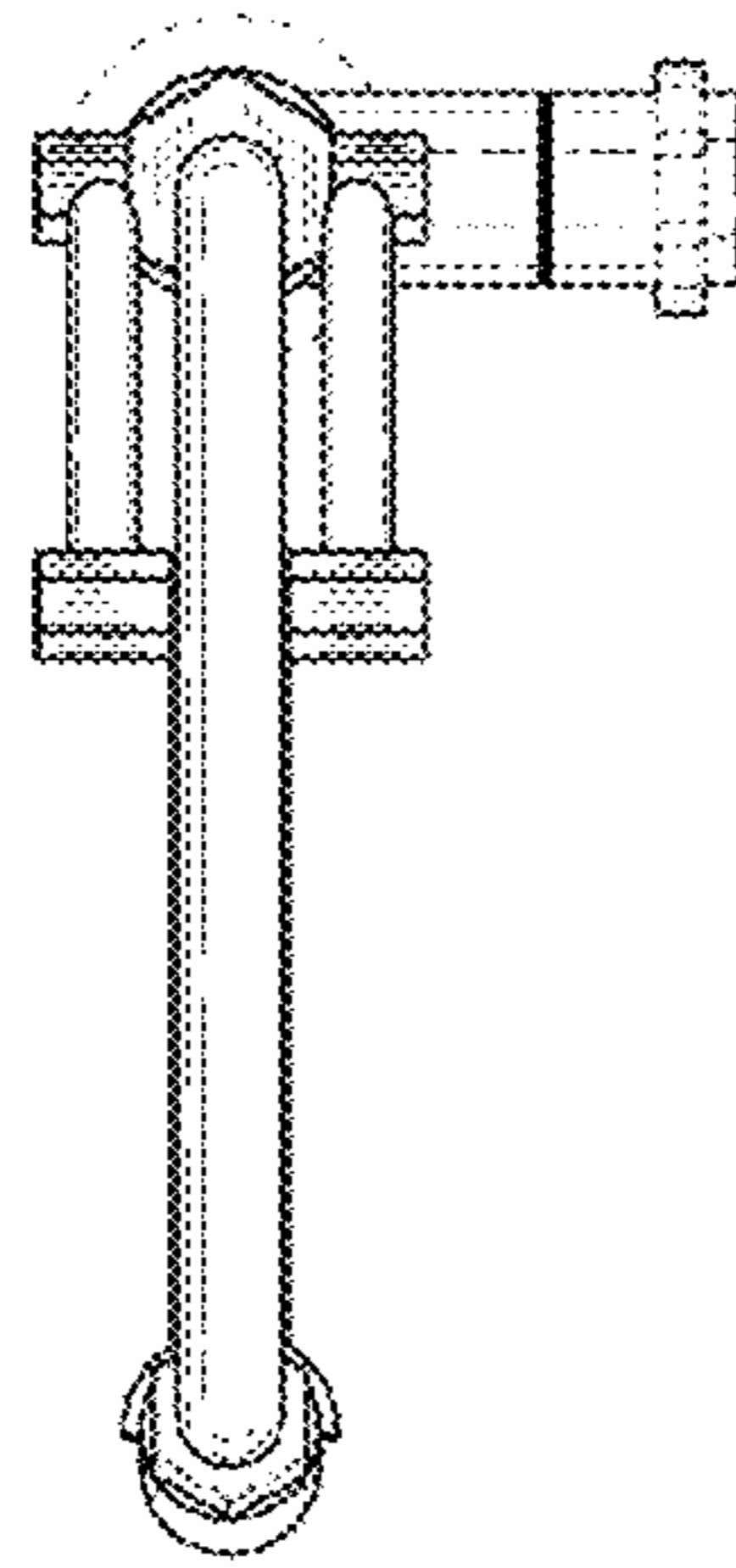


FIG. 2

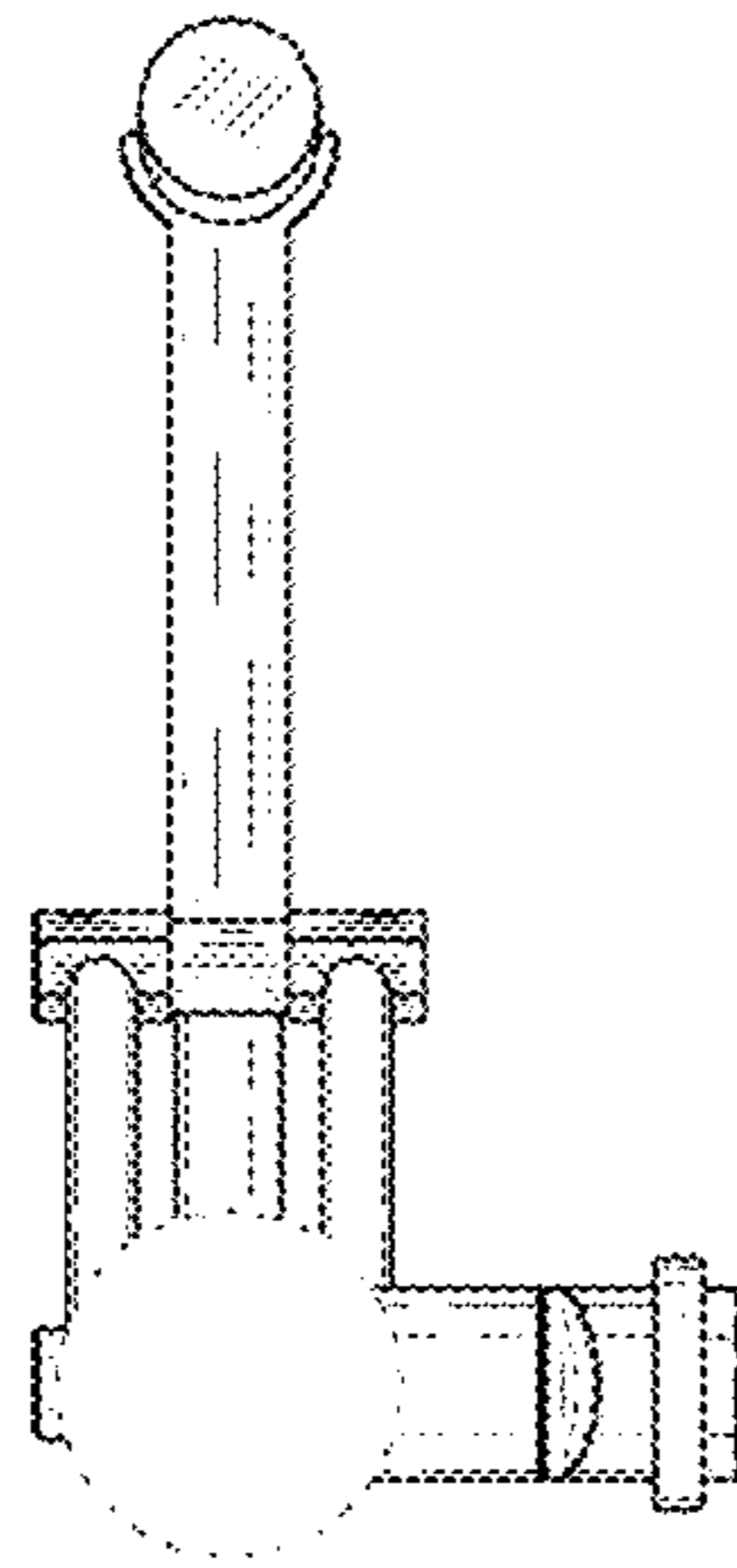


FIG. 3

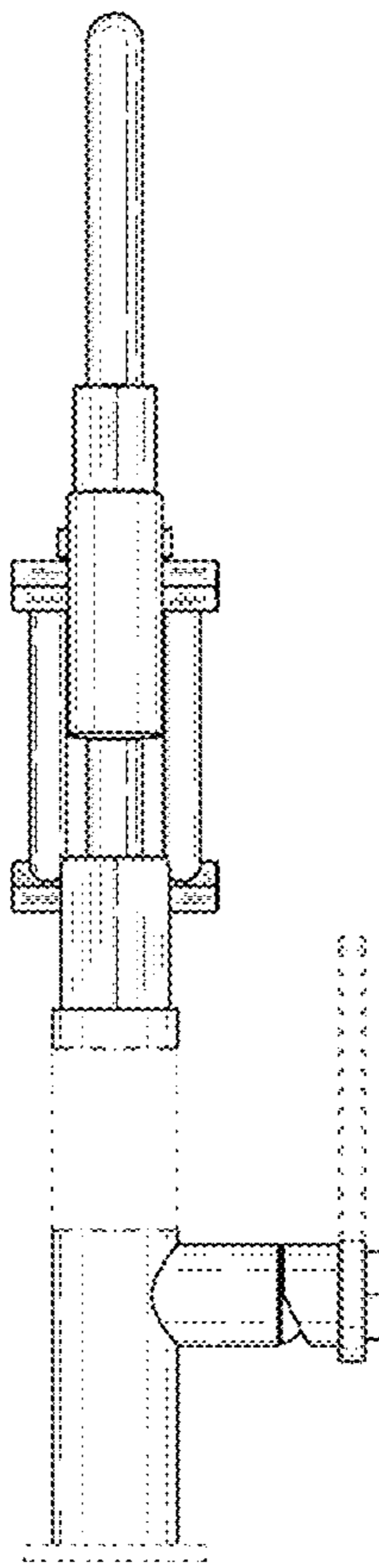


FIG. 4

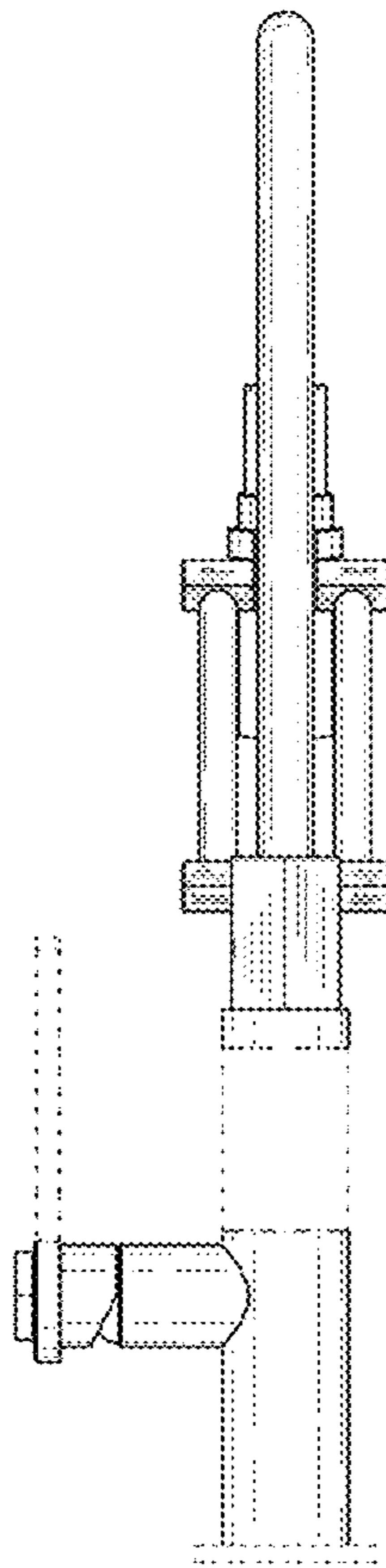


FIG. 5

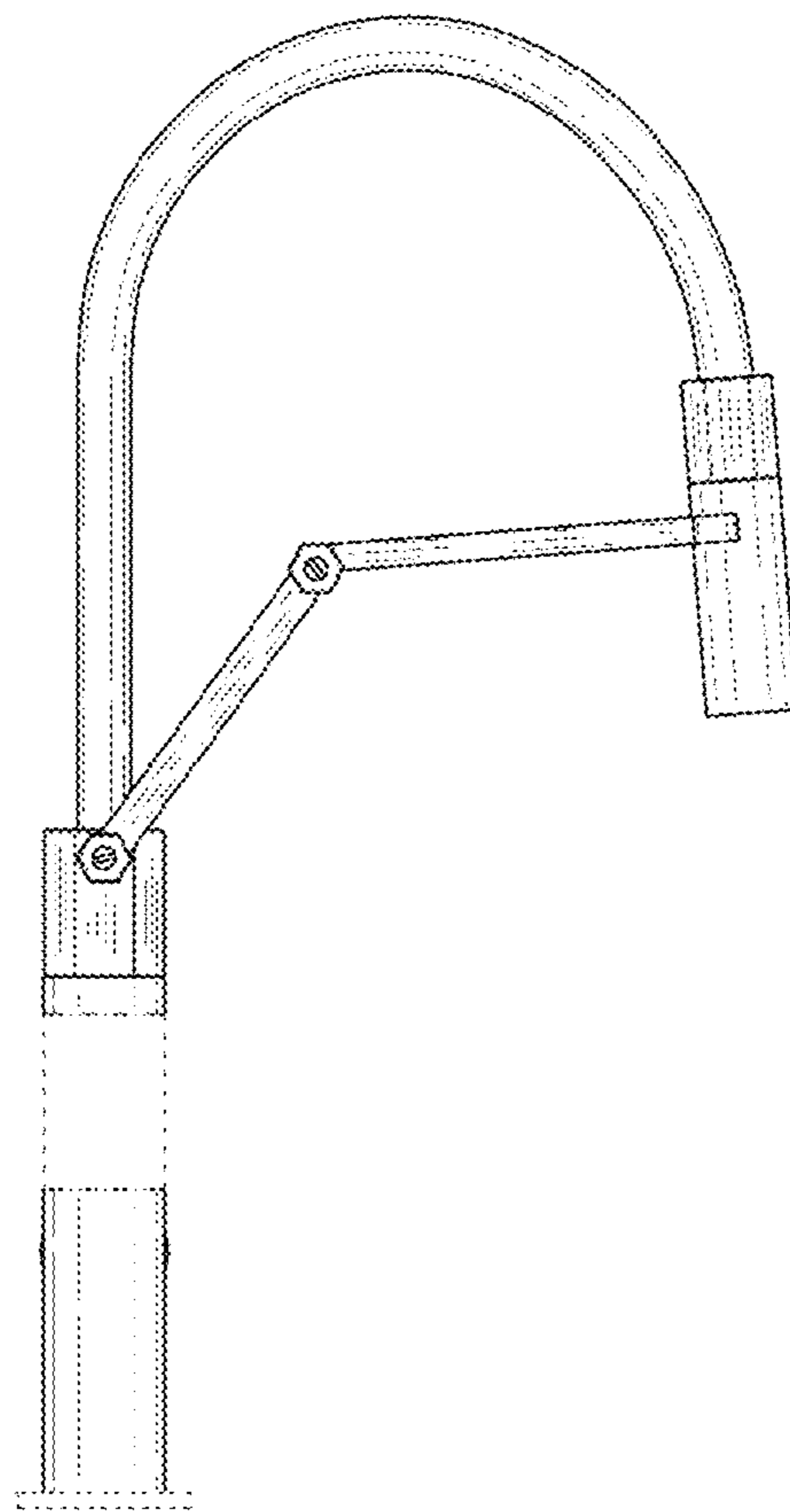


FIG. 6

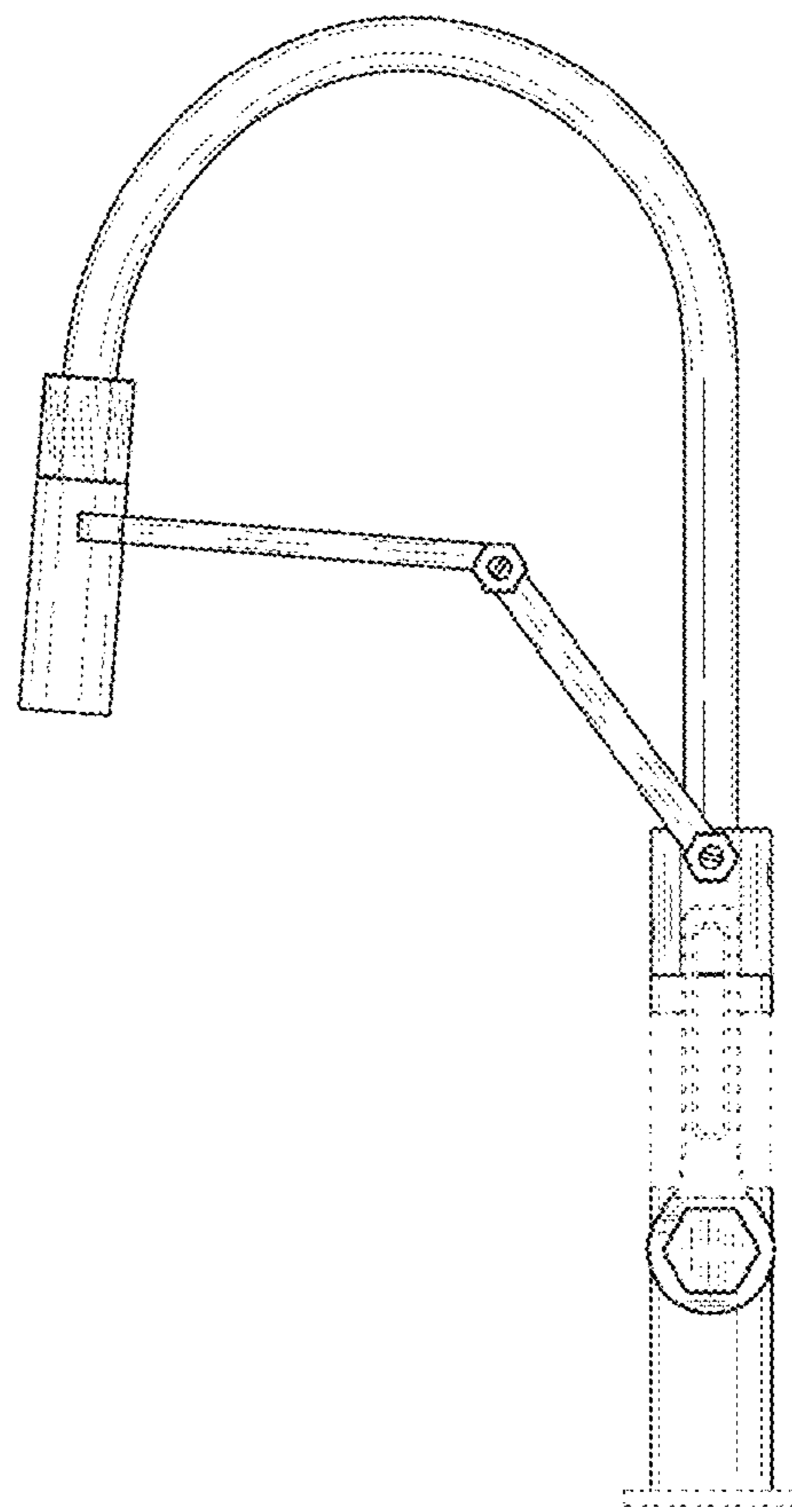


FIG. 7