



US00D855766S

(12) **United States Design Patent** (10) **Patent No.:** **US D855,766 S**  
**Seum et al.** (45) **Date of Patent:** **\*\* Aug. 6, 2019**

(54) **FAUCET**

(71) Applicant: **GROHE AG**, Hemer (DE)

(72) Inventors: **Michael Seum**, Duesseldorf (DE);  
**Jung-Beom Han**, Duesseldorf (DE)

(73) Assignee: **Grohe AG**, Hemer (DE)

(\*\*) Term: **15 Years**

(21) Appl. No.: **29/634,322**

(22) Filed: **Jan. 19, 2018**

(30) **Foreign Application Priority Data**

Jul. 20, 2017 (EM) ..... 004112647-0016

(51) **LOC (12) Cl.** ..... **23-01**

(52) **U.S. Cl.**

USPC ..... **D23/238**

(58) **Field of Classification Search**

USPC ..... D23/238-243, 245, 249-250, 252, 255,  
D23/257; D8/307-308

CPC ..... Y10T 137/9464; Y10T 137/6064; E03C  
1/04; E03C 1/0404; E03C 1/0412; E03C  
1/0409; E03C 1/042; E03C 1/02; E03C  
2001/0414

See application file for complete search history.

(56) **References Cited**

**U.S. PATENT DOCUMENTS**

D235,643 S \* 7/1975 Zimmerman ..... D23/245  
D456,878 S \* 5/2002 Gottwald ..... D23/238

D469,157 S \* 1/2003 Lobermeier ..... D23/238  
D479,579 S \* 9/2003 Haug ..... D23/238  
D527,076 S \* 8/2006 Kolin ..... D23/241  
D568,447 S \* 5/2008 Lai ..... D23/252  
D685,878 S \* 7/2013 Fritz ..... D23/238  
9,551,136 B2 \* 1/2017 Keiter ..... E03C 1/0404  
D802,722 S \* 11/2017 Flowers ..... D23/252

\* cited by examiner

*Primary Examiner* — Robert A Delehanty

(74) *Attorney, Agent, or Firm* — Muncy, Geissler, Olds & Lowe, P.C.

(57) **CLAIM**

The ornamental design for a faucet, as shown and described.

**DESCRIPTION**

FIG. 1 is a front perspective view of a faucet according to the present invention.

FIG. 2 is a front view of the faucet of FIG. 1.

FIG. 3 is a rear view of the faucet of FIG. 1.

FIG. 4 is a left side view of the faucet of FIG. 1.

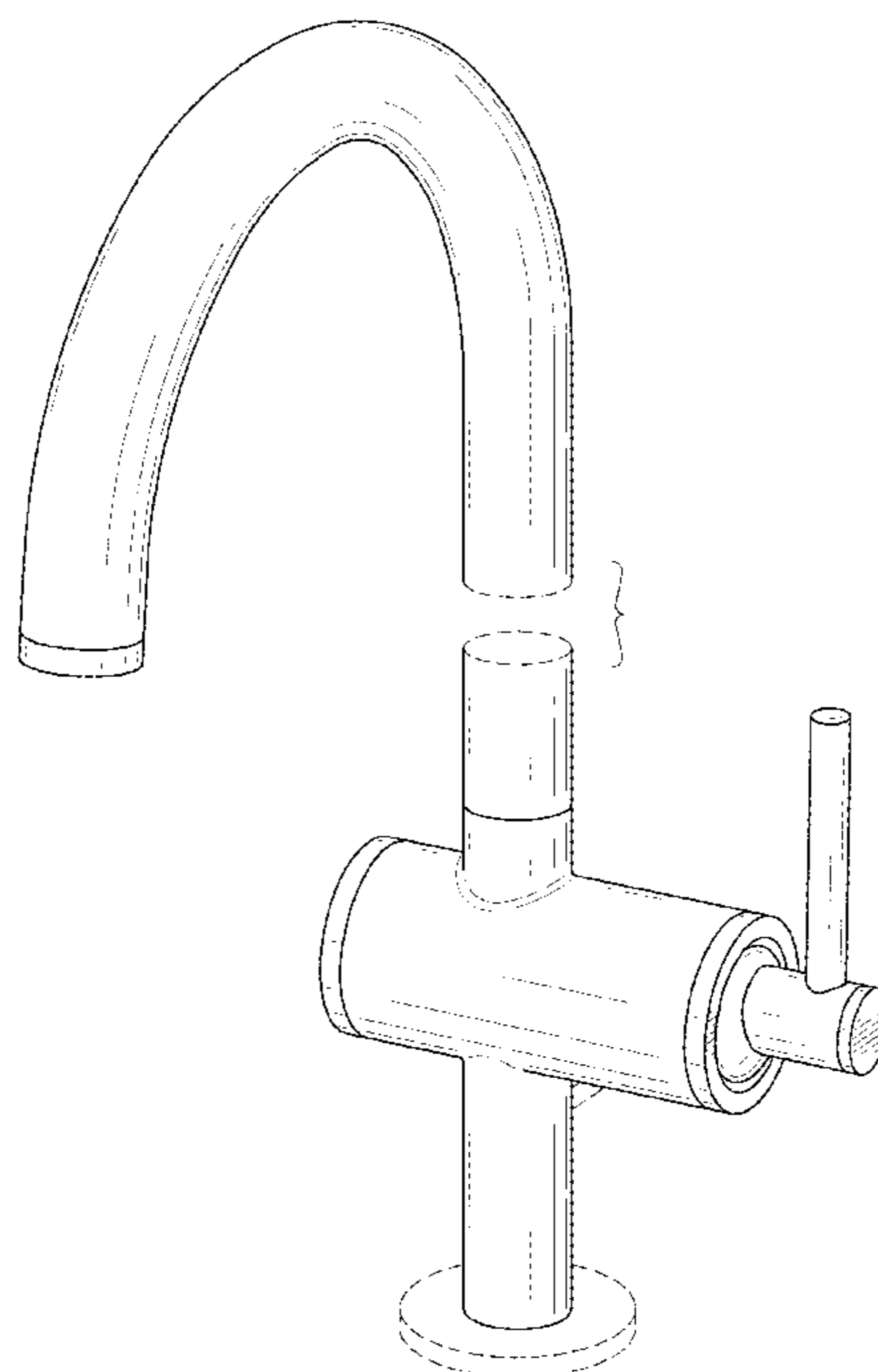
FIG. 5 is a right side view of the faucet of FIG. 1.

FIG. 6 is a top view of the faucet of FIG. 1; and,

FIG. 7 is a bottom view of the faucet of FIG. 1.

The dashed lines illustrate environment that does not form a part of the present invention, and no claim is made to the material illustrated with dashed lines. The appearance of any portion of the article between the broken away symbols forms no part of the claimed design.

**1 Claim, 7 Drawing Sheets**



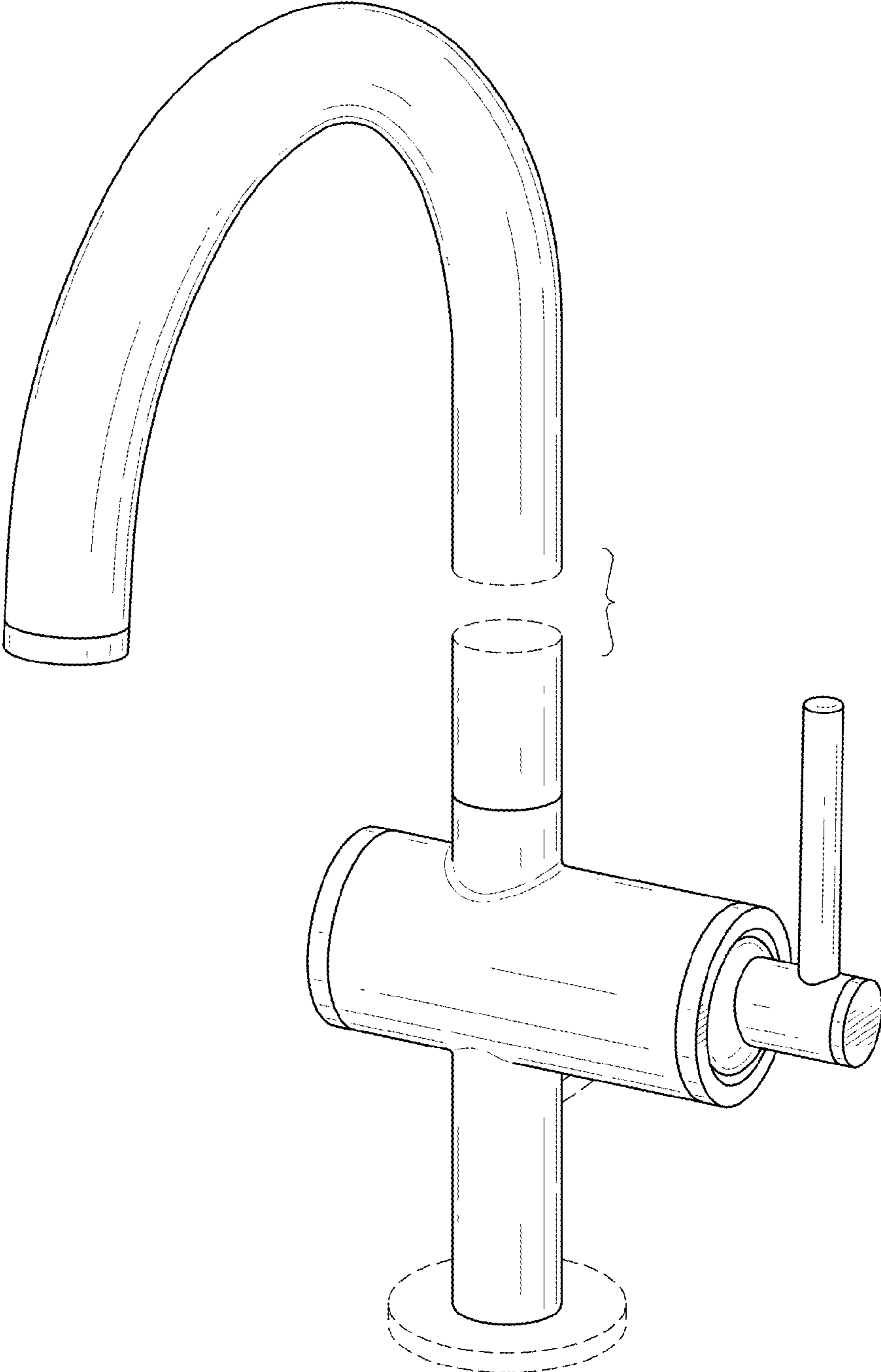


FIG. 1

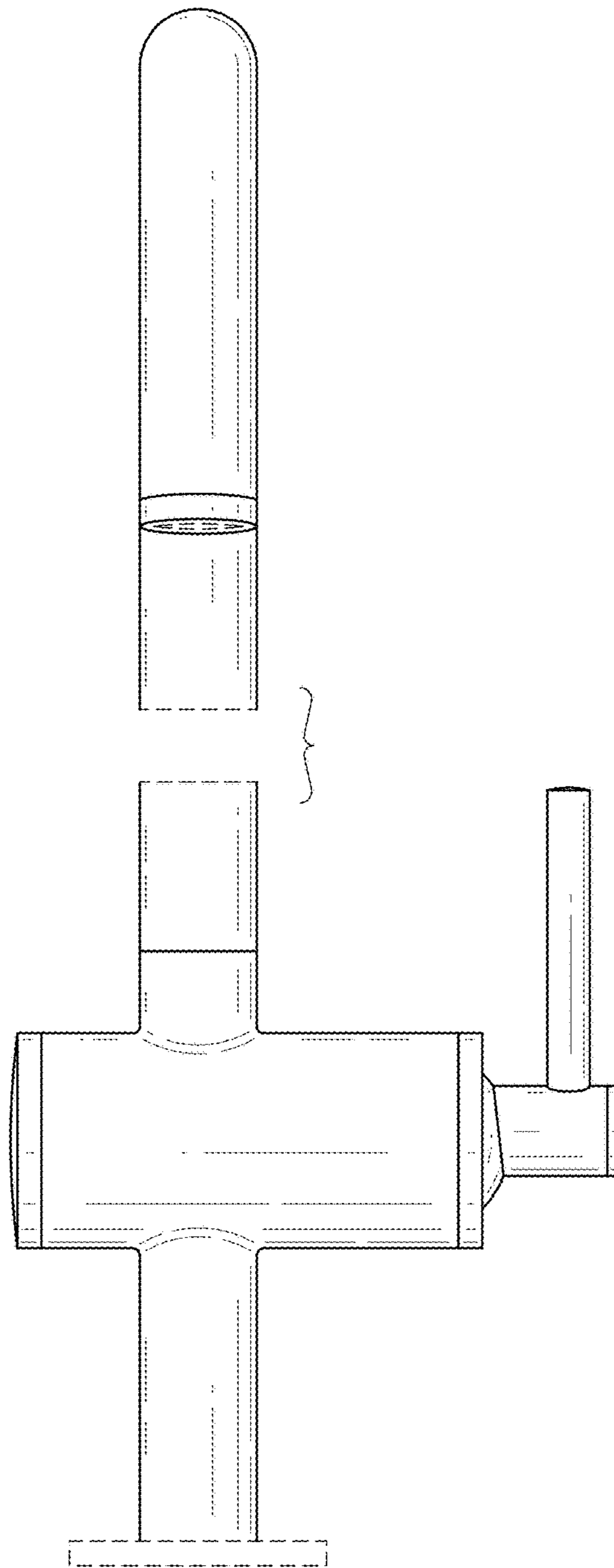


FIG.2

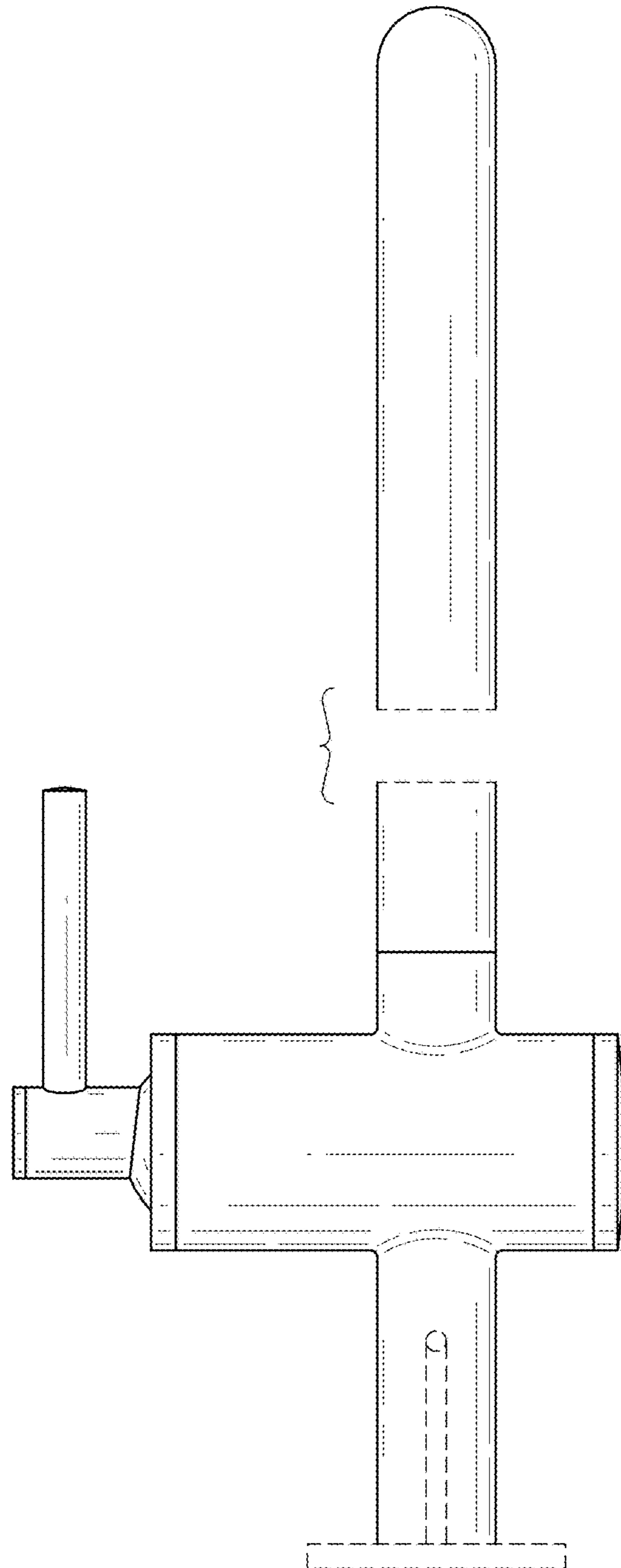


FIG.3

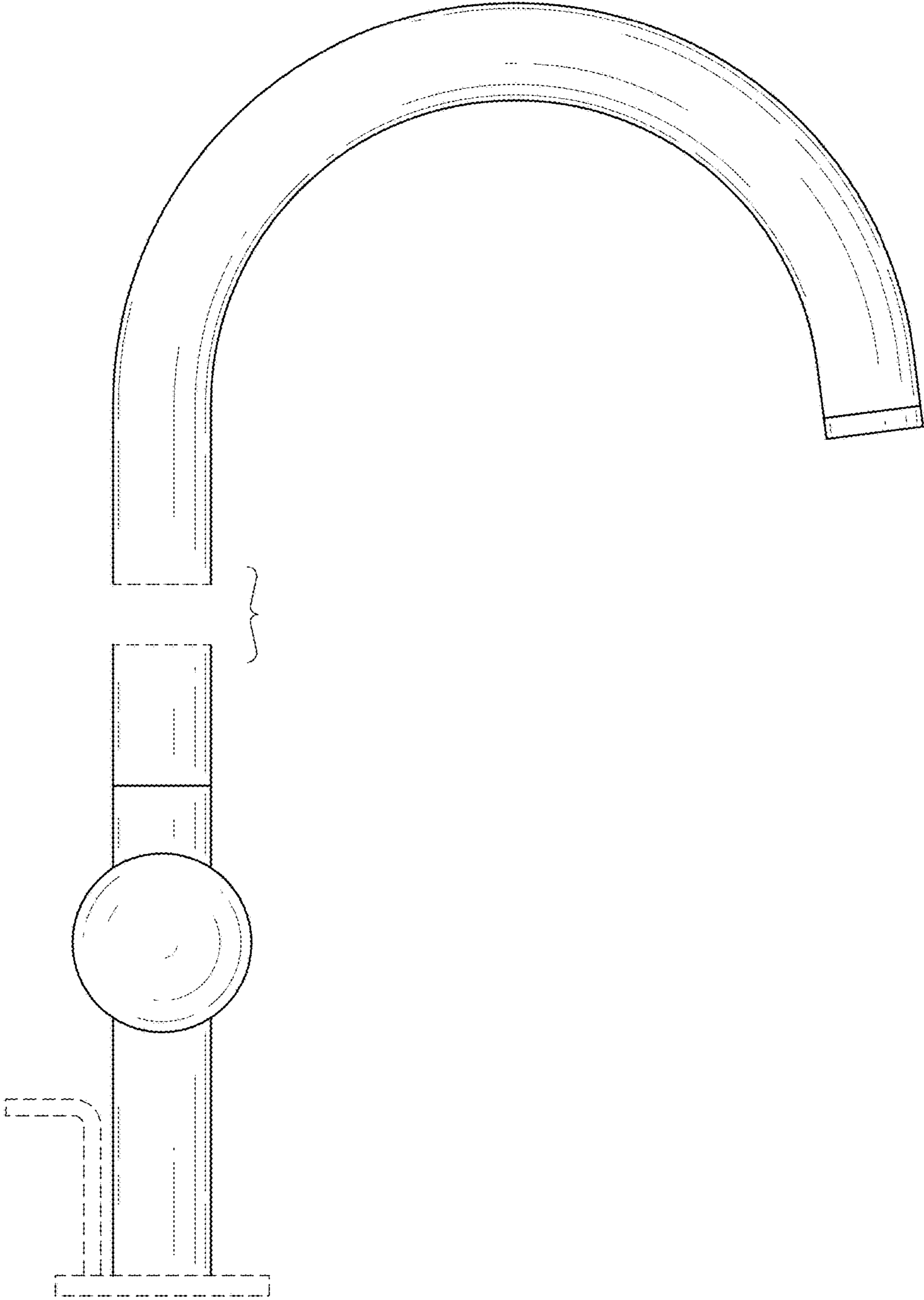


FIG. 4

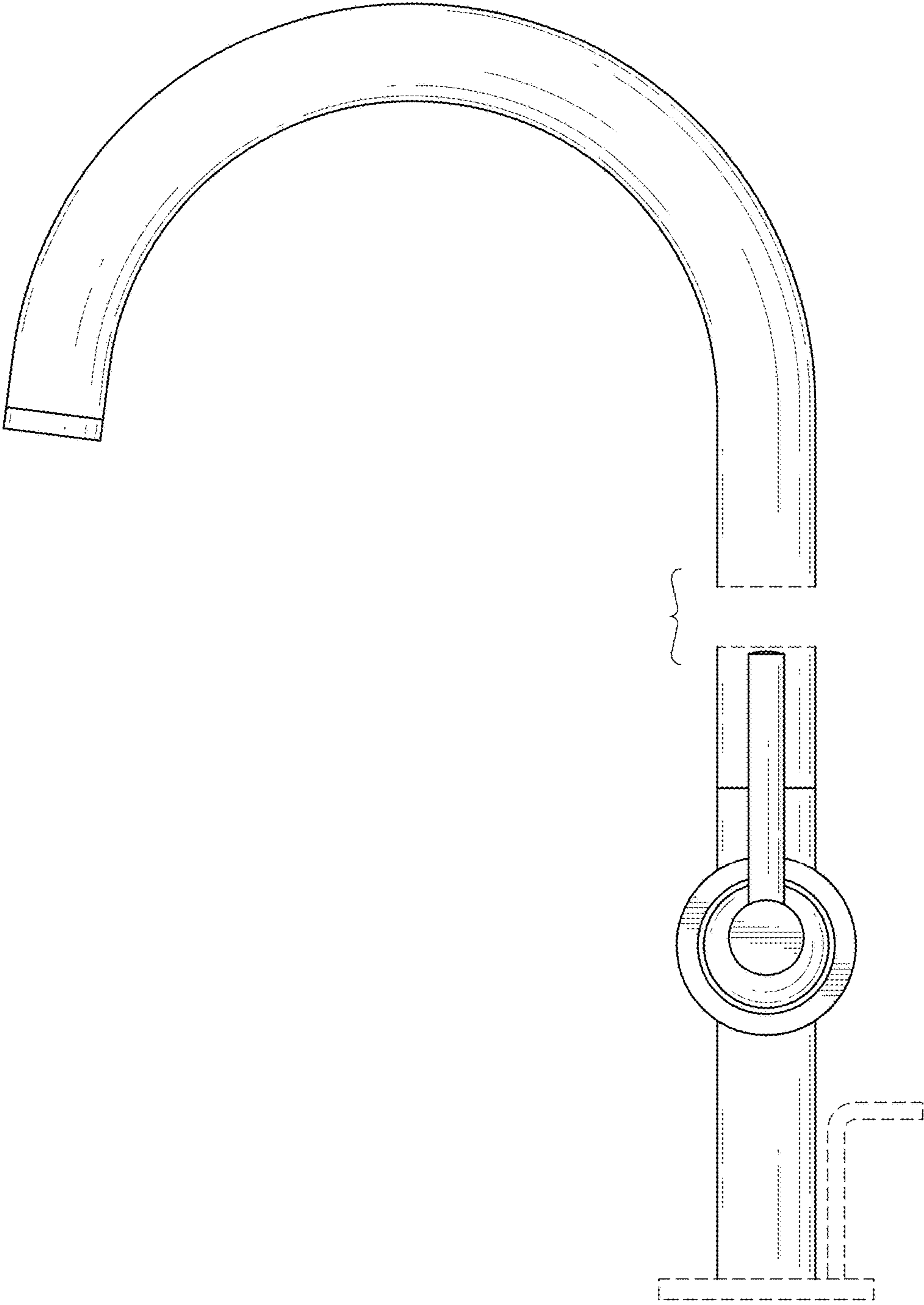


FIG.5

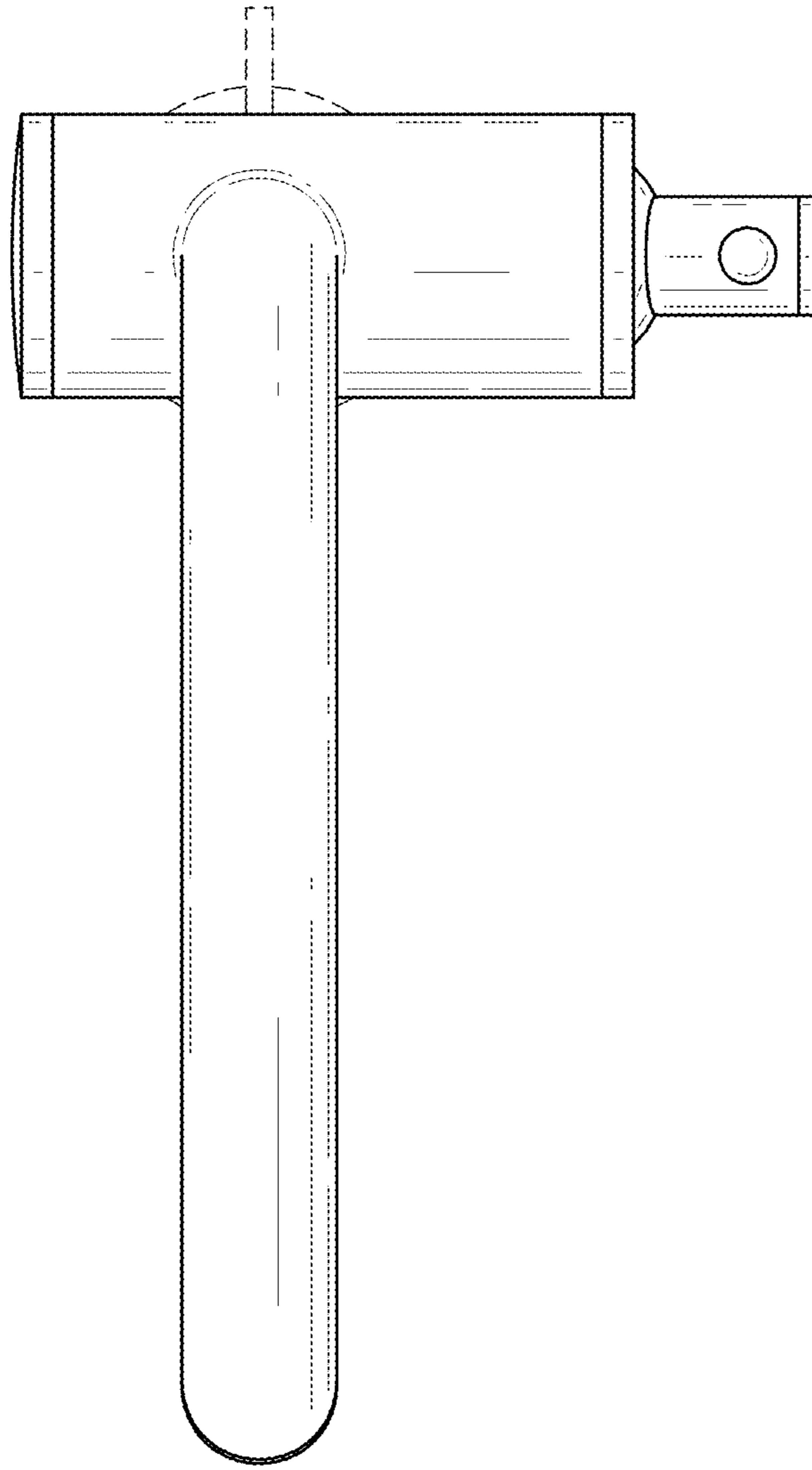


FIG.6

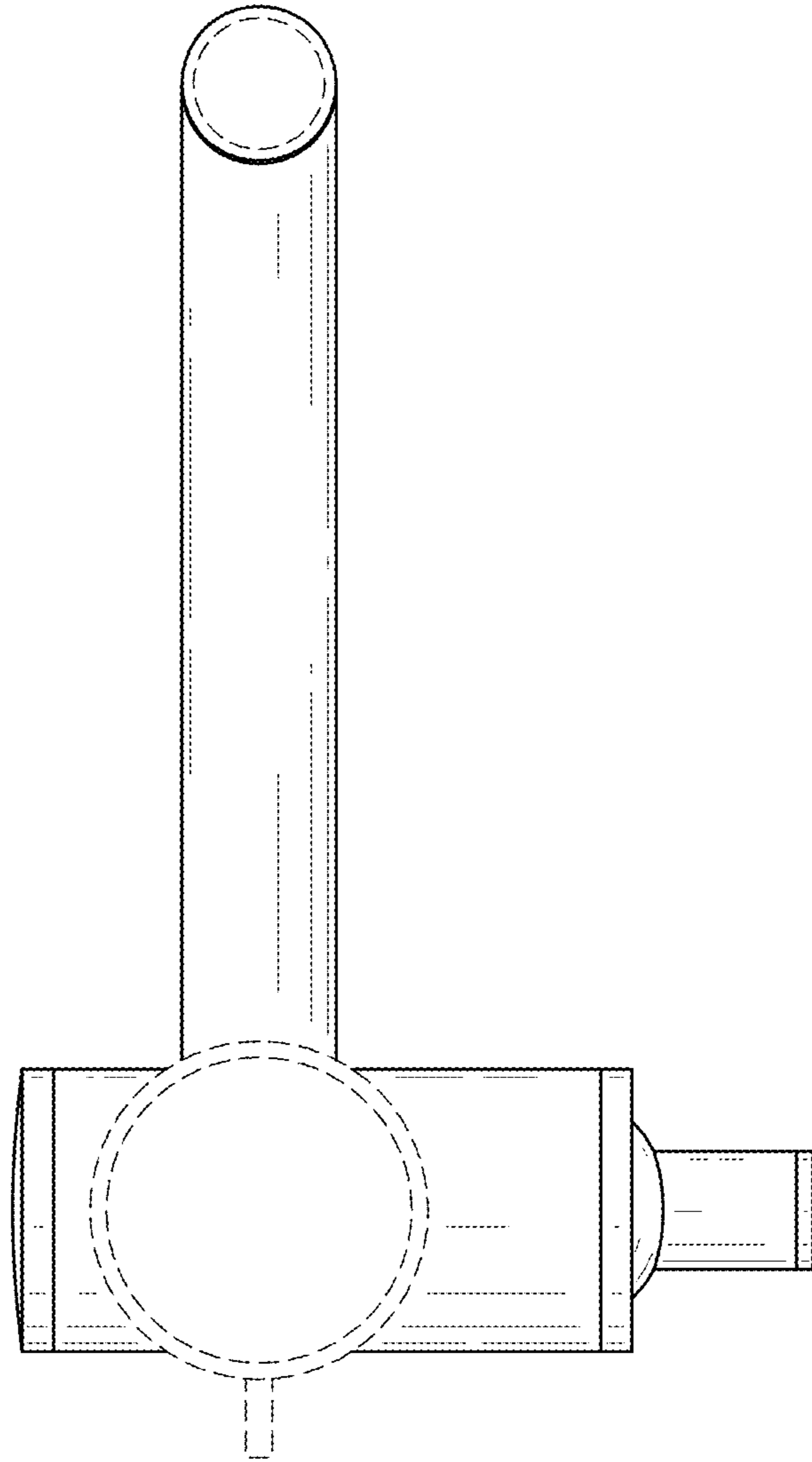


FIG. 7