



US00D855765S

(12) **United States Design Patent**
Song et al.

(10) **Patent No.:** **US D855,765 S**

(45) **Date of Patent:** **** Aug. 6, 2019**

(54) **FAUCET**

(71) Applicant: **AS America, Inc.**, Piscataway, NJ (US)

(72) Inventors: **Ki Bok Song**, Plainview, NY (US);
Alison Lyons, New York, NY (US);
Jiekun Qian, Elmhurst, NY (US);
Jean-Jacques L'Henaff, New Canaan,
CT (US); **Emilie Williams**, South
Plainfield, NJ (US)

(73) Assignee: **AS America, Inc.**, Piscataway, NJ (US)

(**) Term: **15 Years**

(21) Appl. No.: **29/628,814**

(22) Filed: **Dec. 7, 2017**

(51) **LOC (12) Cl.** **23-01**

(52) **U.S. Cl.**
USPC **D23/238**

(58) **Field of Classification Search**
USPC D23/238-243, 249-250, 252, 254-255,
D23/257, 213, 245

CPC ... Y10T 137/9464; E03C 1/04; E03C 1/0404;
E03C 1/0405; E03C 1/0411; E03C
1/0412

See application file for complete search history.

(56) **References Cited**

U.S. PATENT DOCUMENTS

D313,835 S * 1/1991 Knapp D23/238
5,976,362 A 11/1999 Wadsworth et al.
6,179,130 B1 1/2001 Nguyen et al.
6,219,860 B1 4/2001 Chang
D510,410 S * 10/2005 Jsensn D23/238
D522,614 S 6/2006 Ko
D525,342 S * 7/2006 Starck D23/238
7,090,144 B2 8/2006 Gross et al.
D541,375 S 4/2007 Buettgen
7,326,334 B2 2/2008 Boyd et al.
D599,893 S * 9/2009 Sieger D23/255
7,617,939 B2 11/2009 Klump et al.

7,717,270 B2 5/2010 Boyd et al.
D619,220 S * 7/2010 Semchuck D23/238
7,810,650 B2 10/2010 Ennis et al.
D652,489 S 1/2012 Bosio
D653,309 S 1/2012 Starck

(Continued)

OTHER PUBLICATIONS

Notice of Allowance dated Nov. 16, 2018, directed to MX Appli-
cation No. MX/f/2018/001660; 5 pages.

(Continued)

Primary Examiner — Robert A Delehanty

(74) *Attorney, Agent, or Firm* — Morrison & Foerster
LLP

(57) **CLAIM**

We claim the ornamental design for a faucet, as shown and
described.

DESCRIPTION

FIG. 1 is a front perspective view of a faucet showing our
new design;

FIG. 2 is a side view thereof;

FIG. 3 is a side view of the opposite side of FIG. 2;

FIG. 4 is a rear view thereof;

FIG. 5 is a front view thereof;

FIG. 6 is a top view thereof; and

FIG. 7 is a bottom view.

FIG. 8 is a zoomed front perspective view of a head portion
of the faucet showing our new design;

FIG. 9 is a side view thereof;

FIG. 10 is a side view of the opposite side of FIG. 9;

FIG. 11 is a rear view thereof;

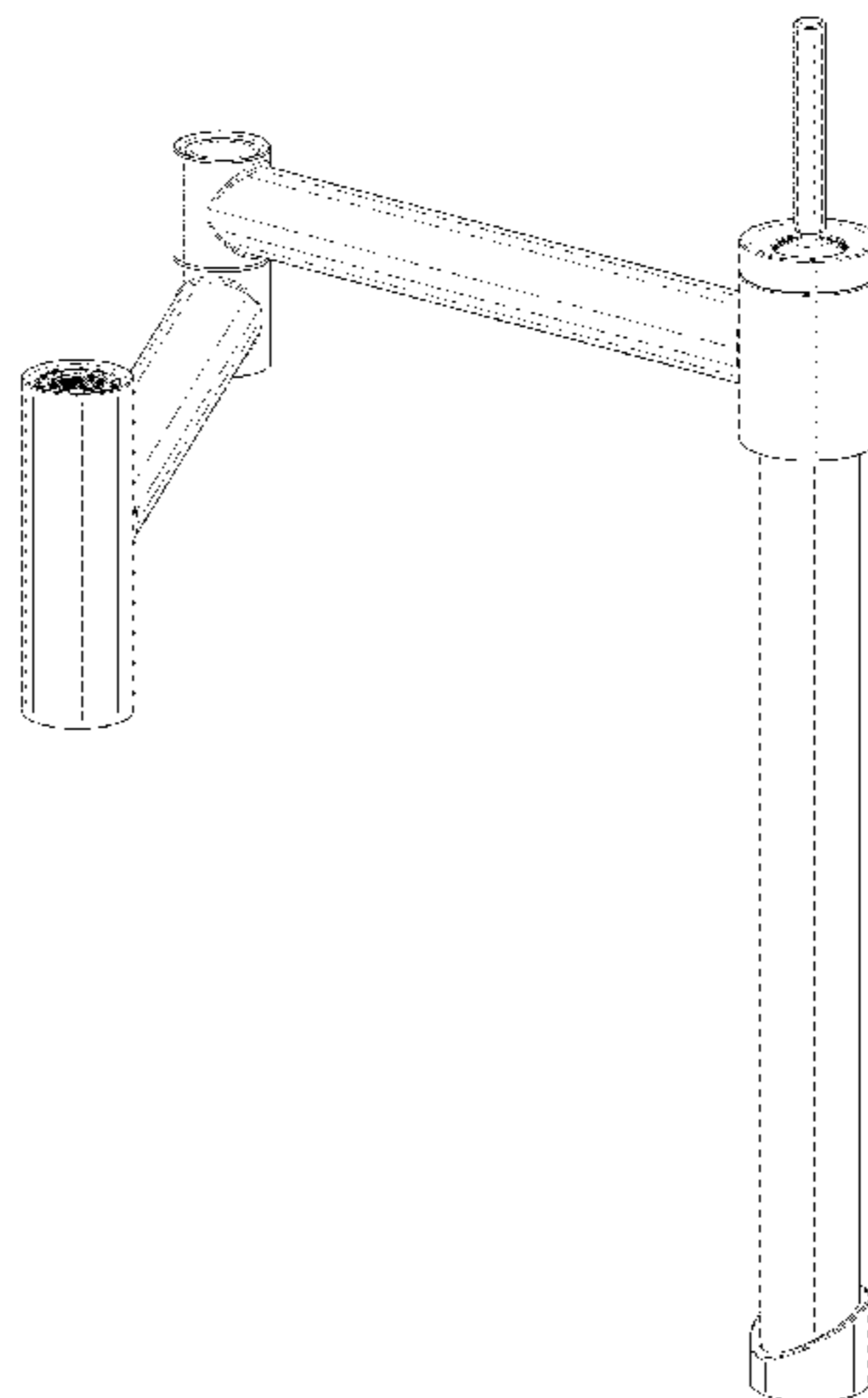
FIG. 12 is a front view thereof;

FIG. 13 is a top view thereof; and,

FIG. 14 is a bottom view.

The broken lines shown in the drawings illustrate portions of
a faucet that form no part of the claimed design.

1 Claim, 14 Drawing Sheets



(56)

References Cited

U.S. PATENT DOCUMENTS

D657,024 S 4/2012 Bosio
D668,743 S * 10/2012 Kennedy D23/213
D701,942 S 4/2014 Flowers
9,004,290 B2 4/2015 Tanner et al.
D767,102 S * 9/2016 Schoenherr D23/257
9,568,132 B2 * 2/2017 Erickson E03C 1/0404
9,604,857 B2 3/2017 Sasaki et al.
9,644,353 B1 5/2017 Chang
D807,989 S 1/2018 Kaule
2007/0251590 A1 * 11/2007 Weinstein E03C 1/0404
137/801
2017/0002552 A1 1/2017 Wang et al.

OTHER PUBLICATIONS

Notice of Allowance dated Nov. 16, 2018, directed to MX Application No. MX/f/2018/001664; 5 pages.

Notice of Allowance dated Jan. 21, 2019, directed to MX Application No. MX/f/2018/001665; 5 pages.

Examiner's Report dated Feb. 18, 2019, directed to CA Application No. 181573; 1 page.

* cited by examiner

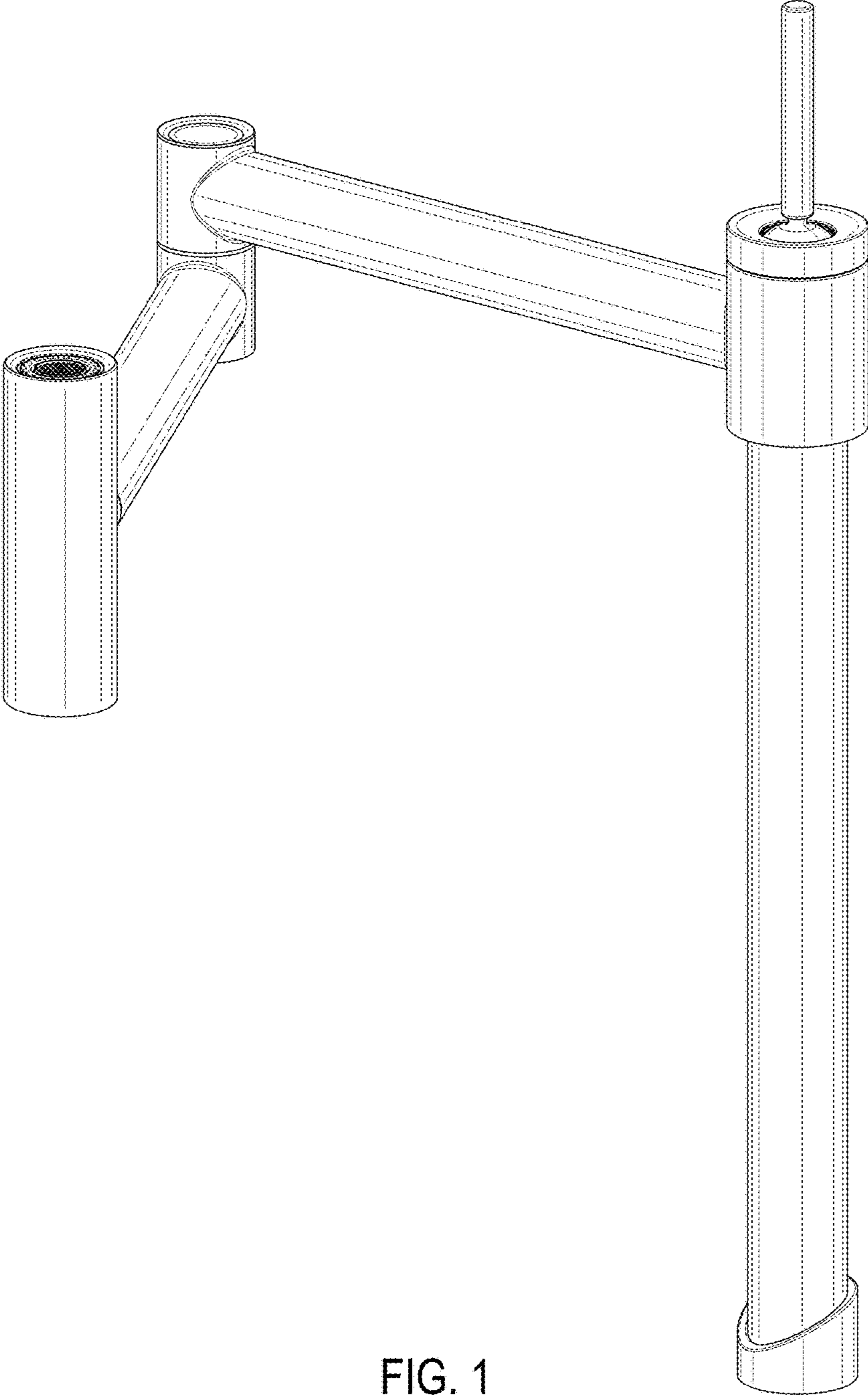
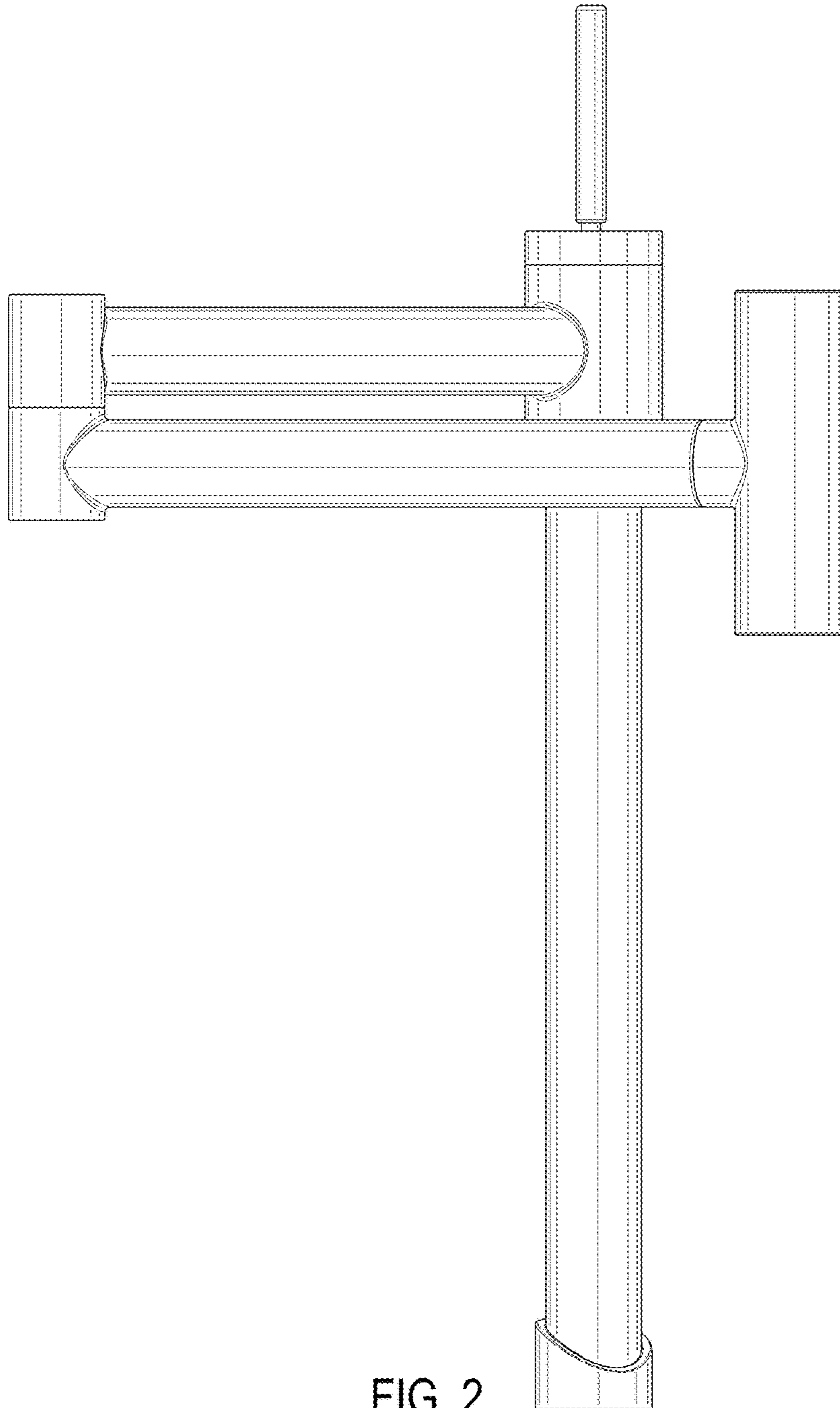


FIG. 1



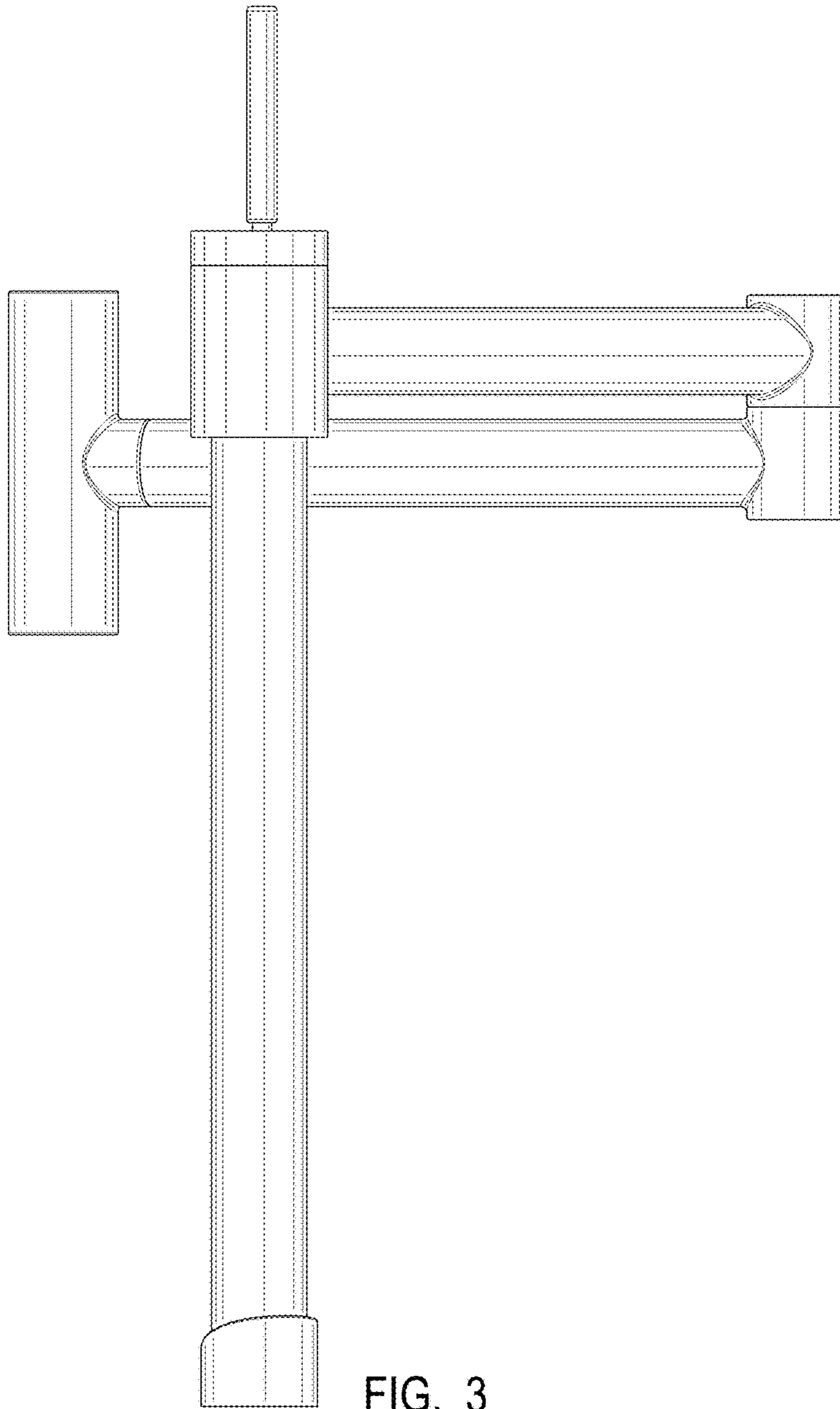


FIG. 3

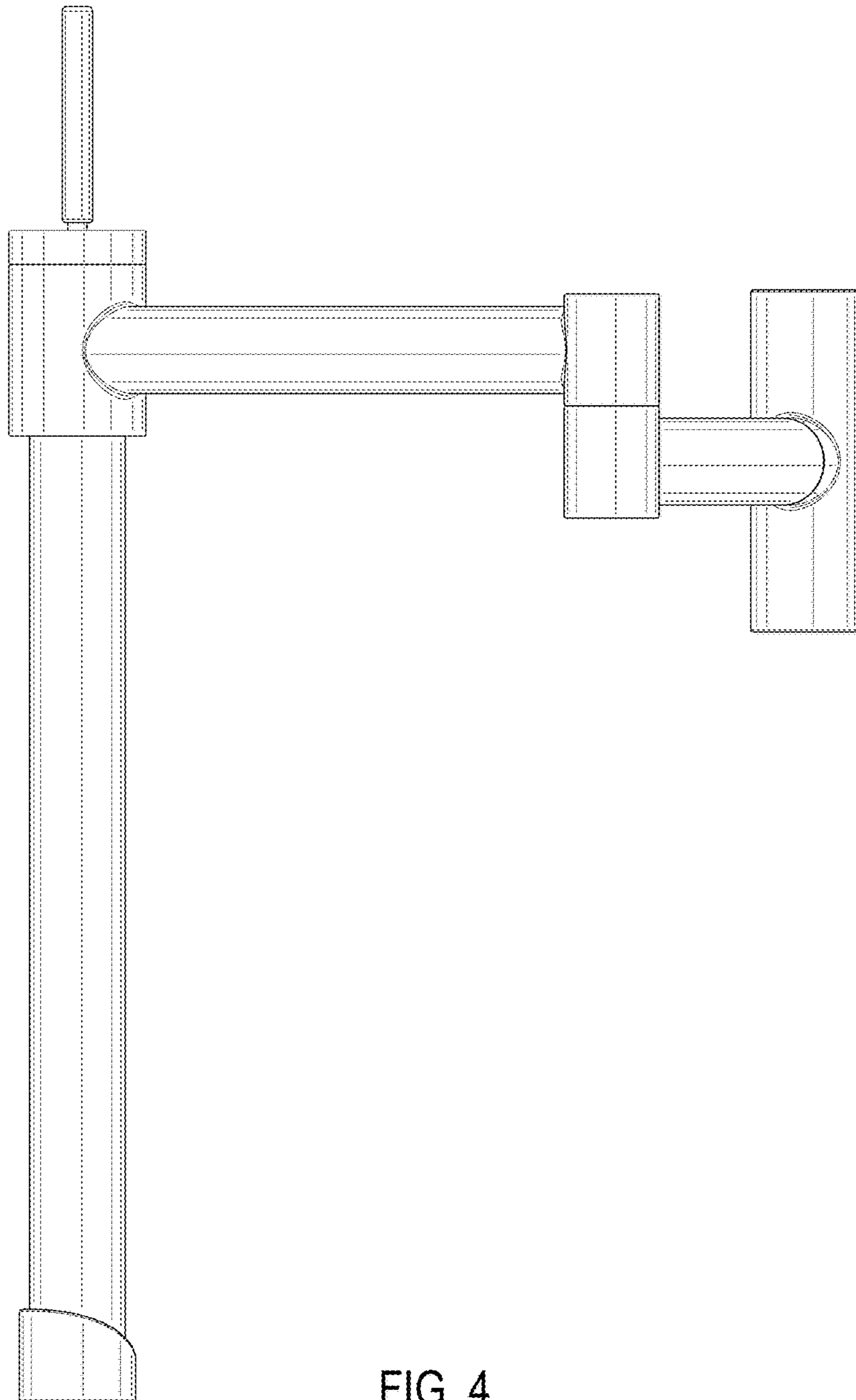


FIG. 4

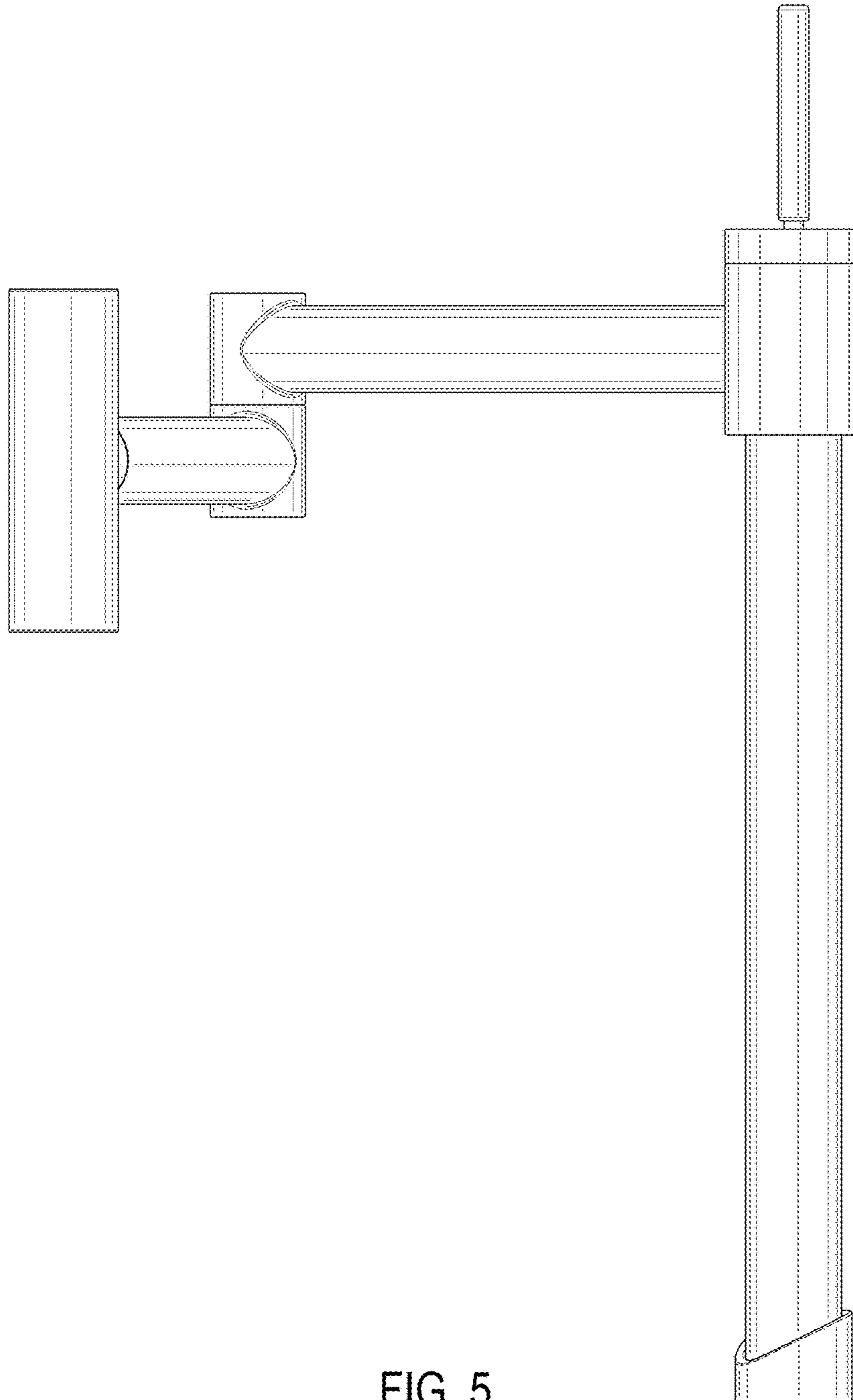


FIG. 5

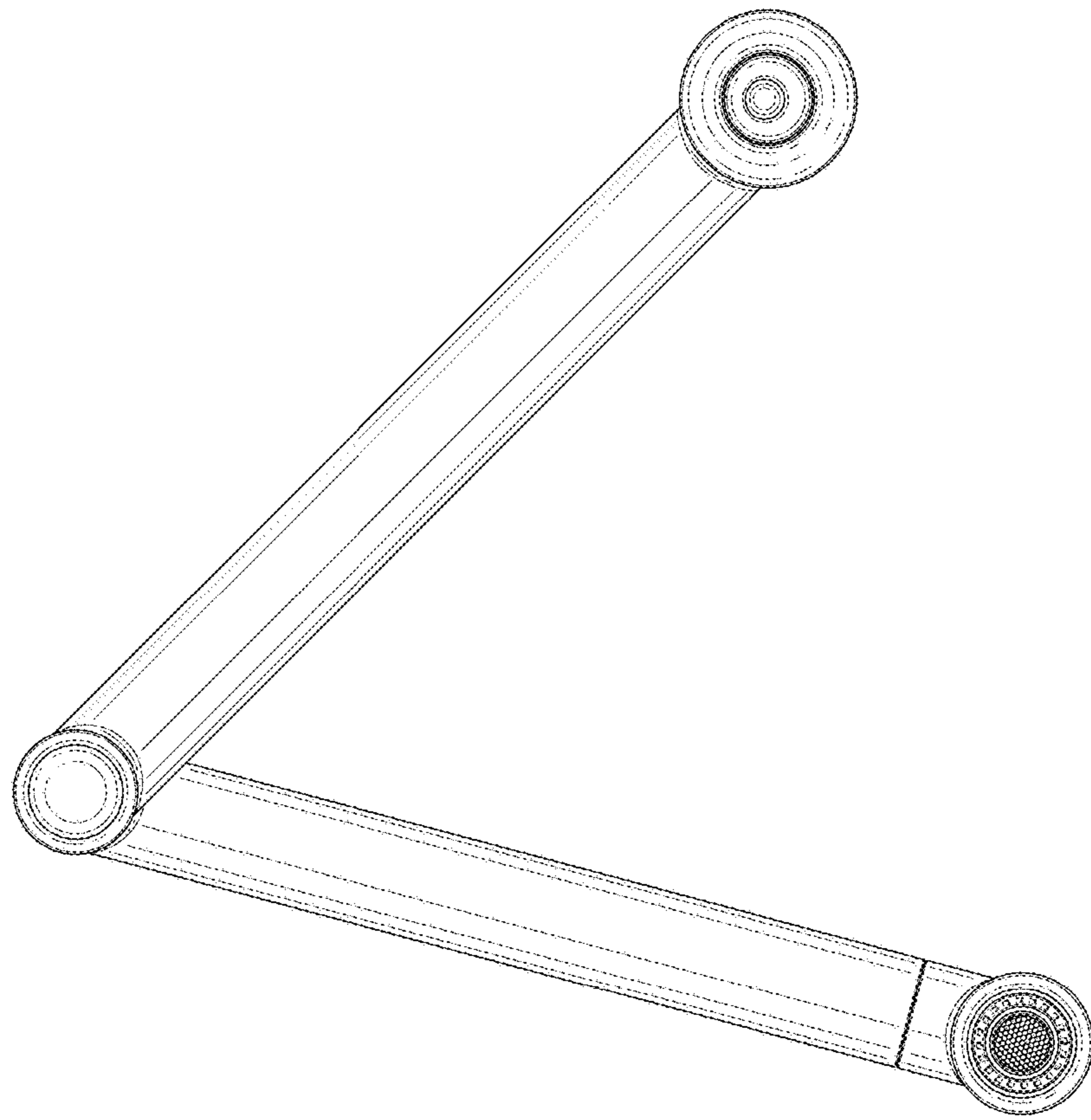


FIG. 6

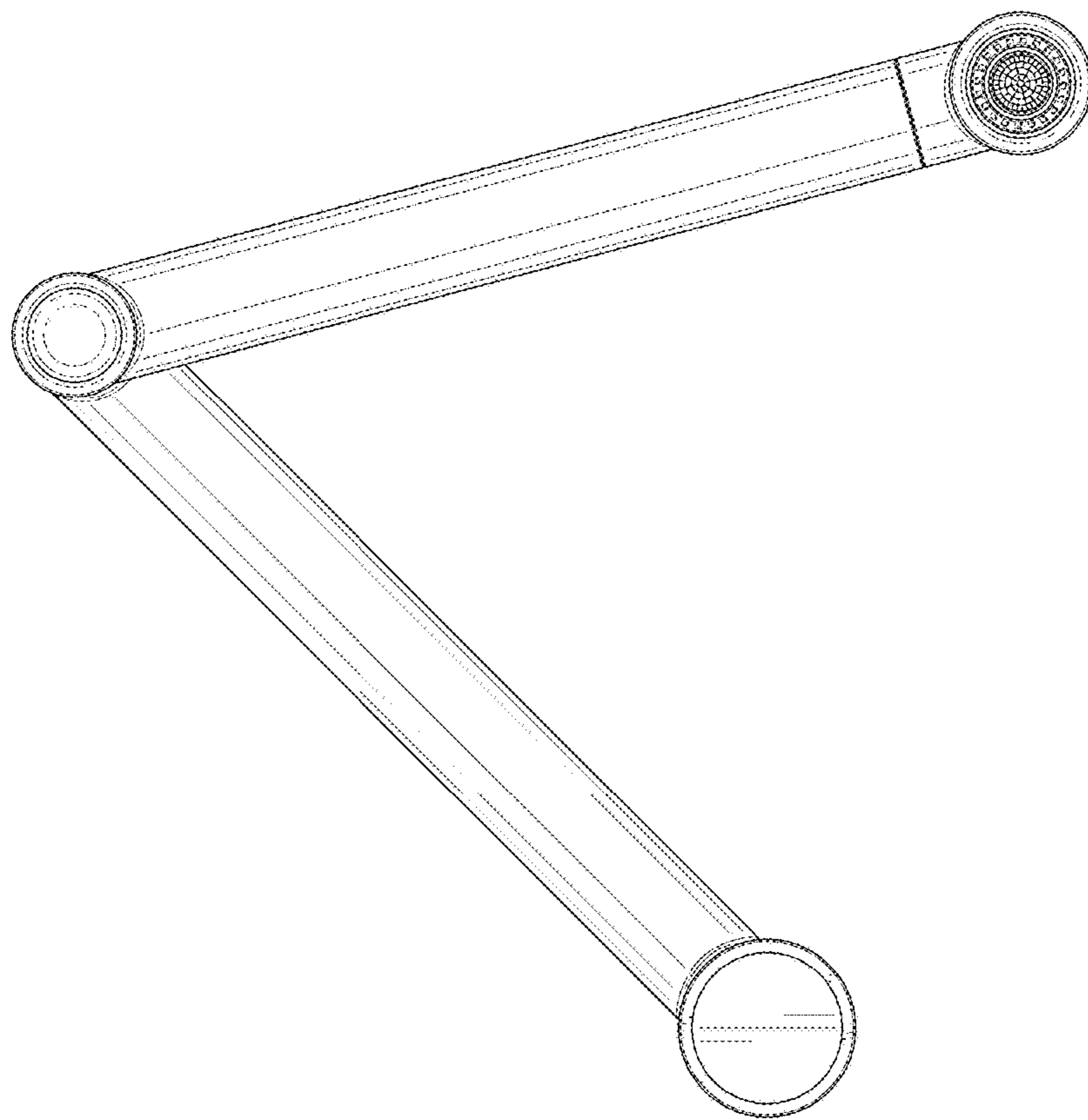


FIG. 7

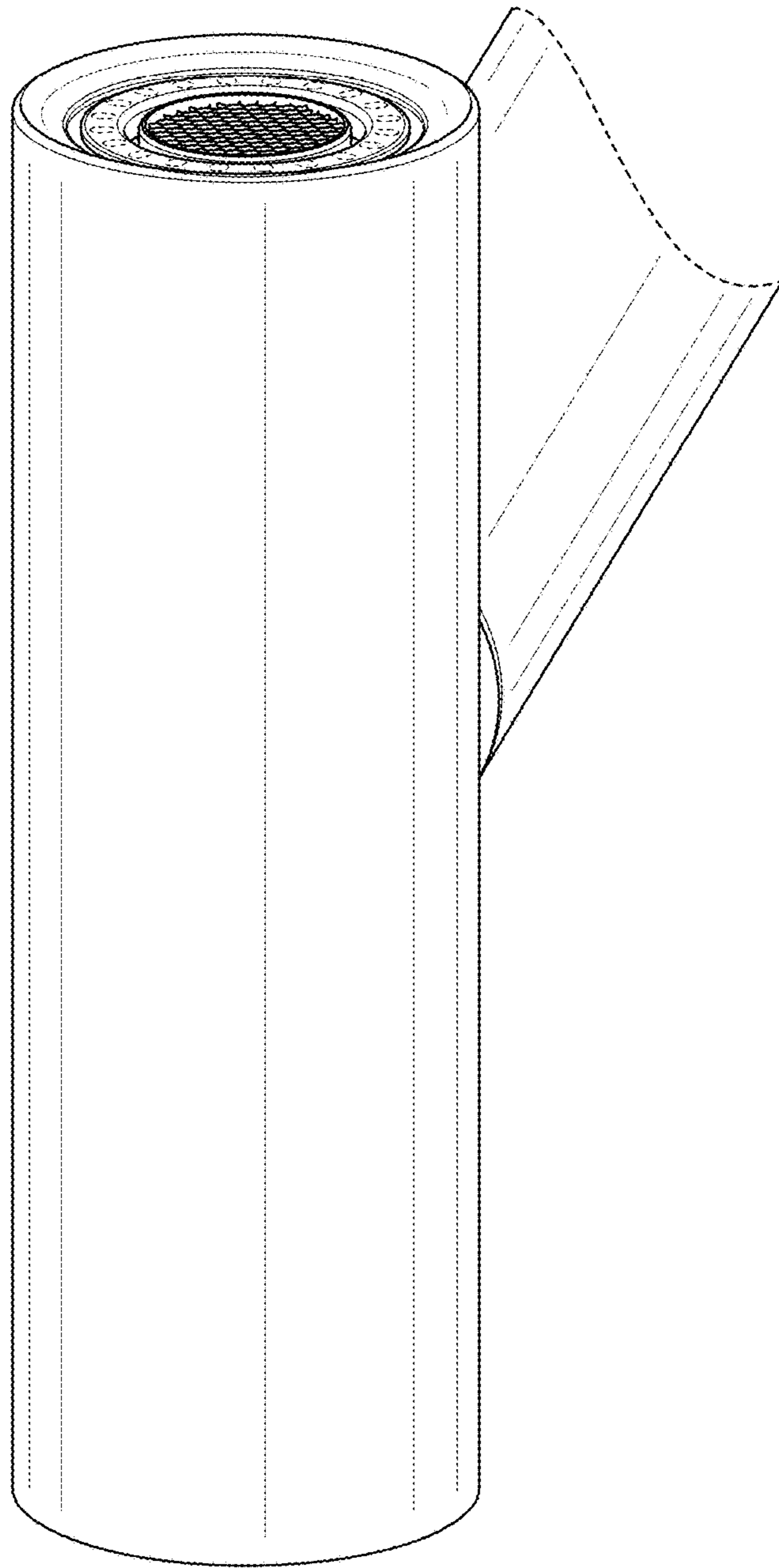


FIG. 8

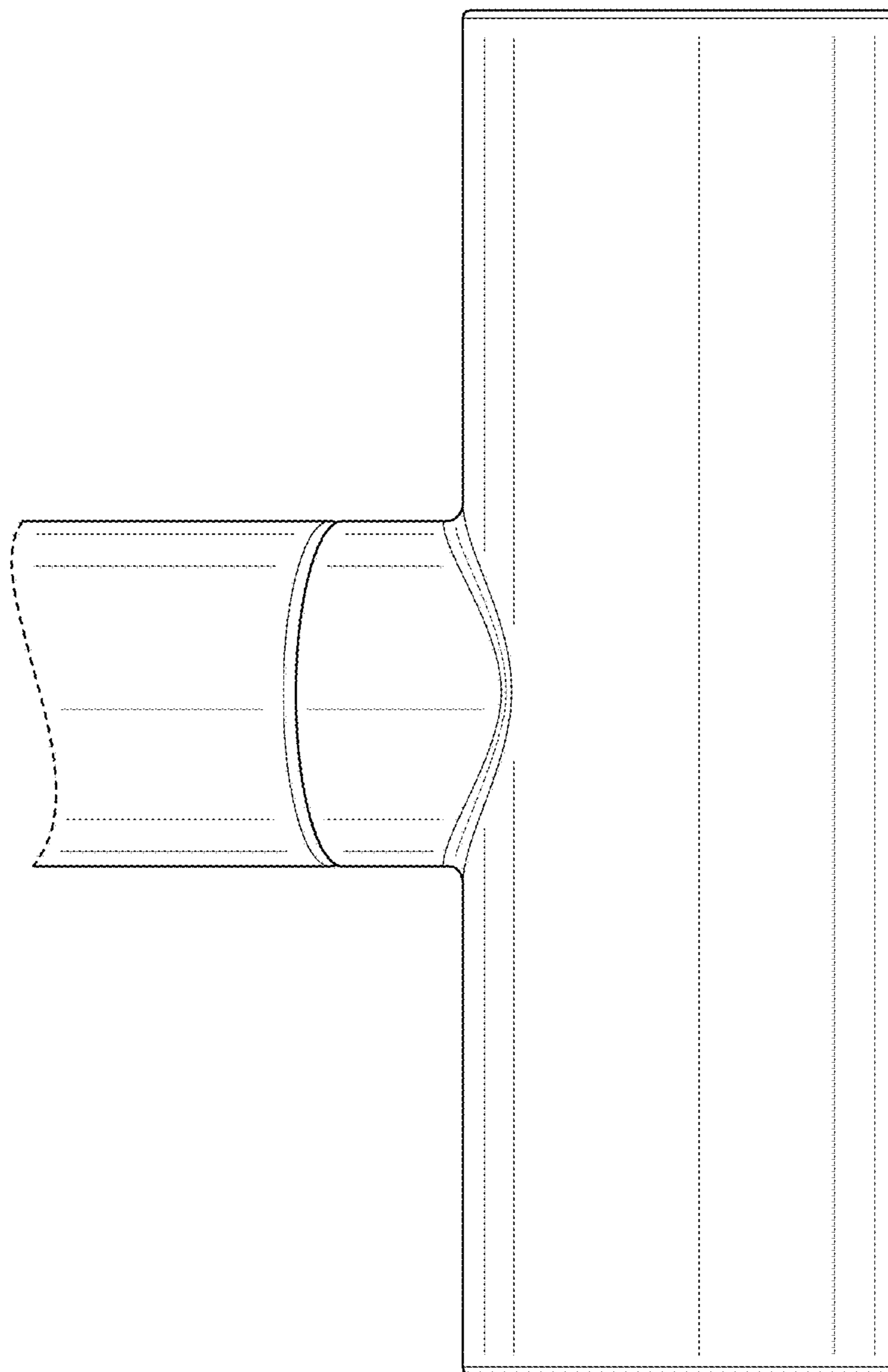


FIG. 9

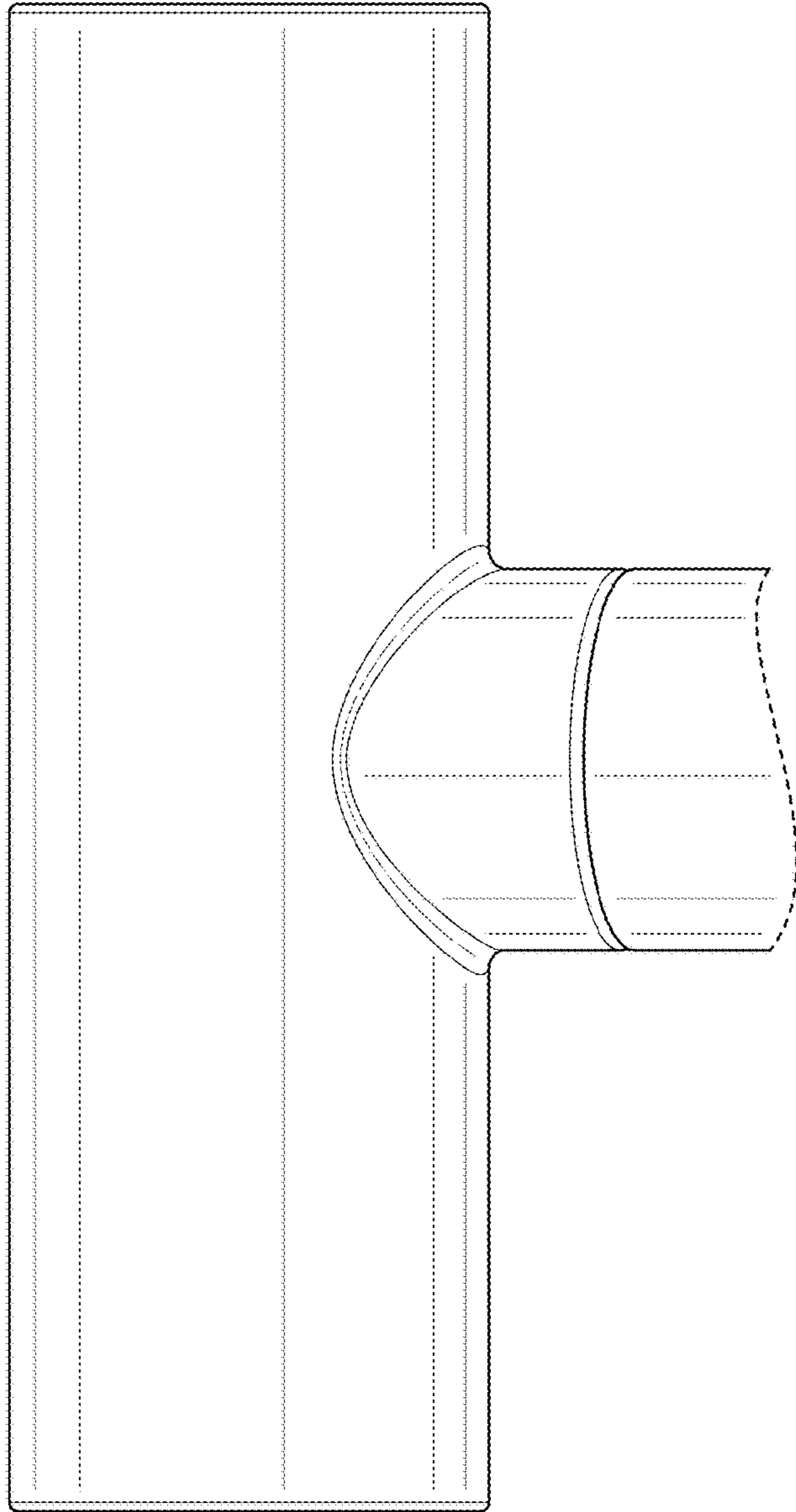


FIG. 10

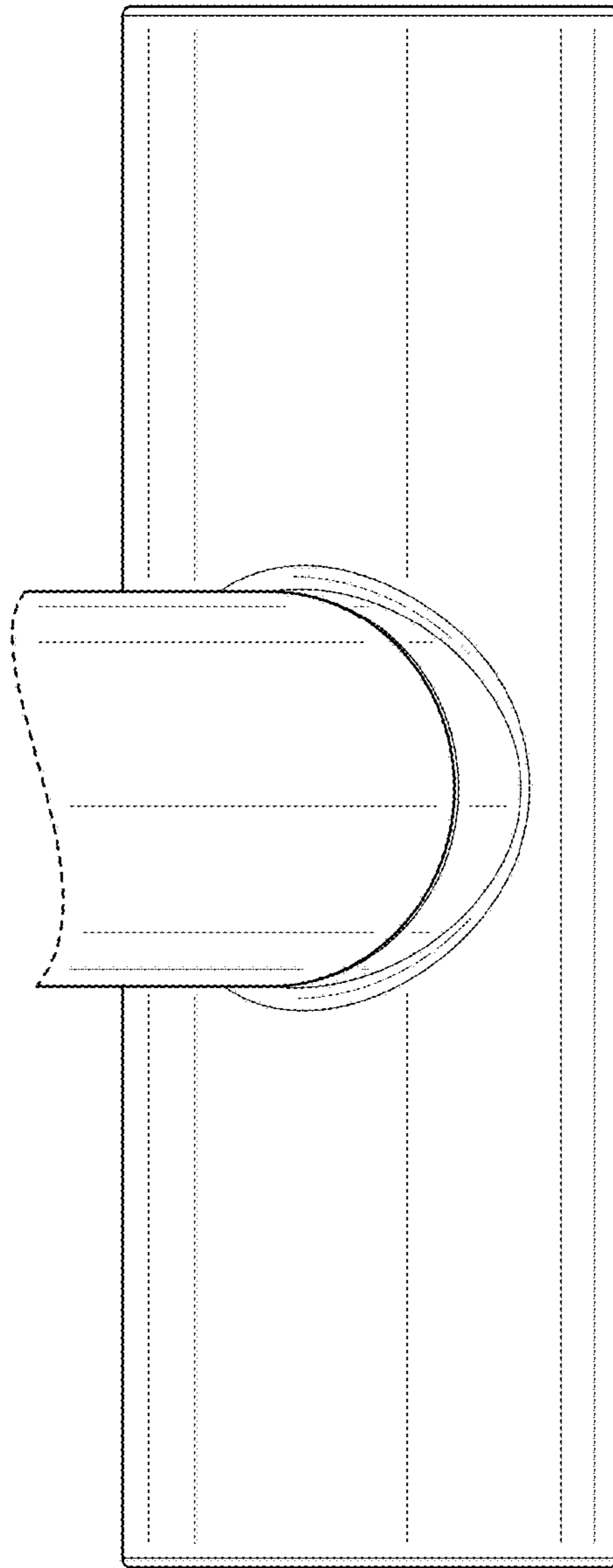


FIG. 11

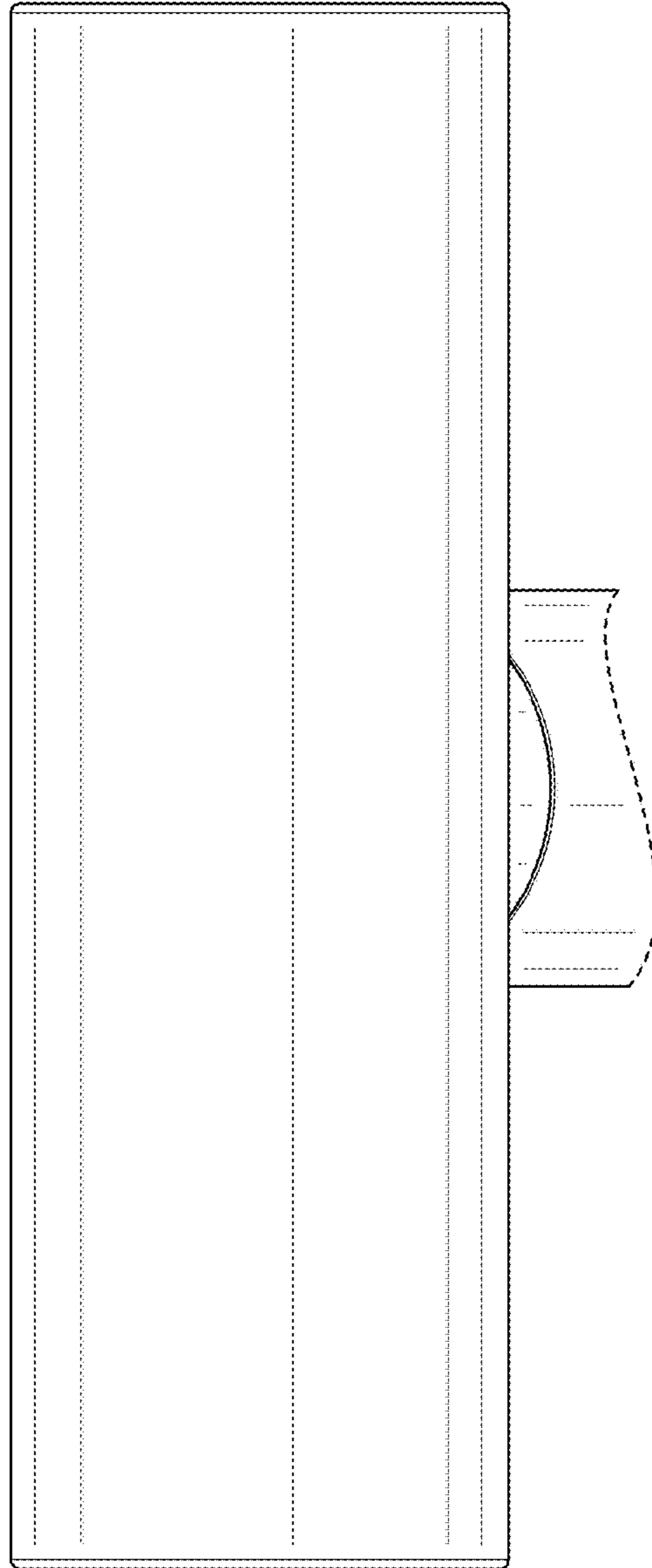


FIG. 12

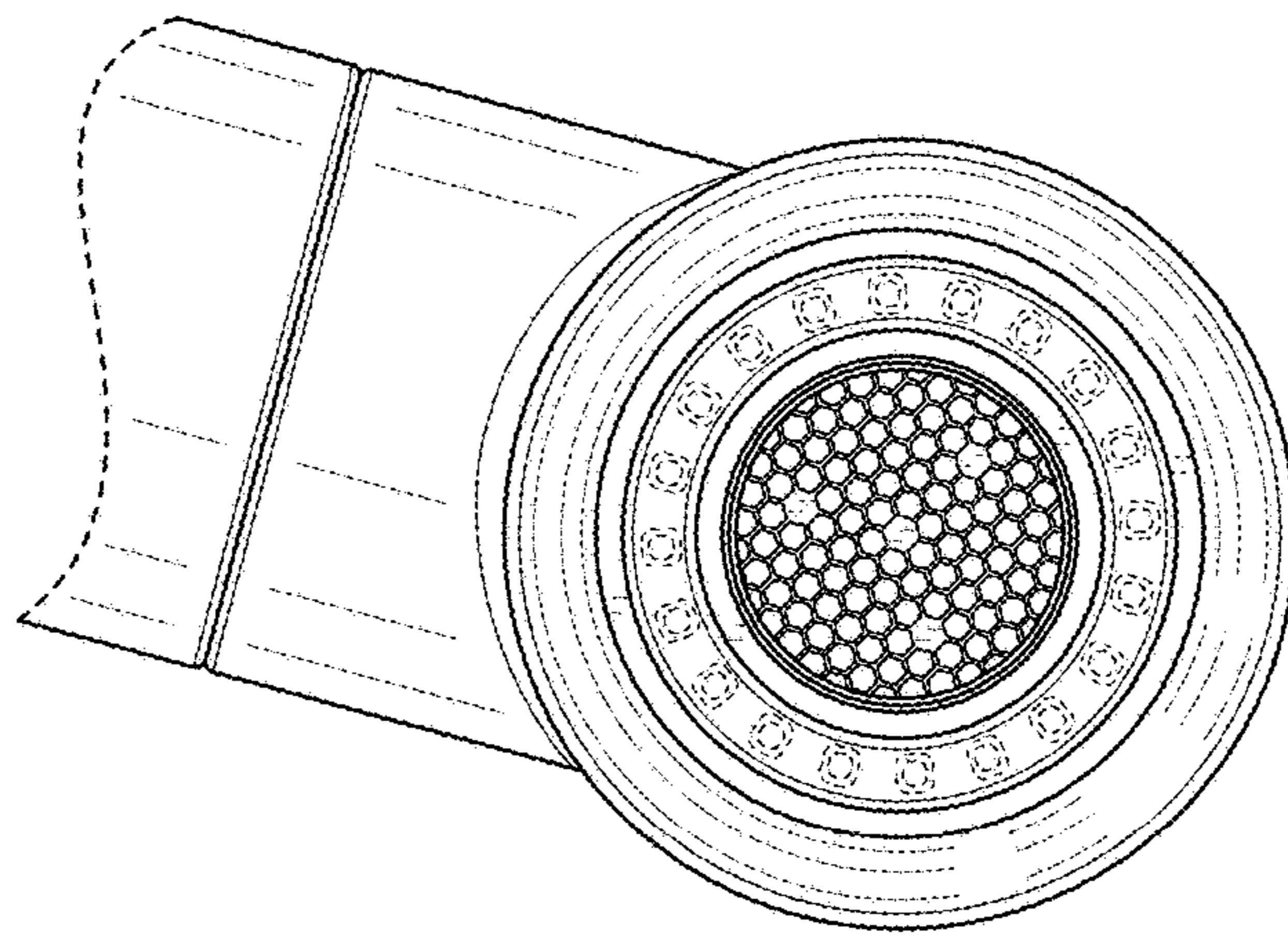


FIG. 13

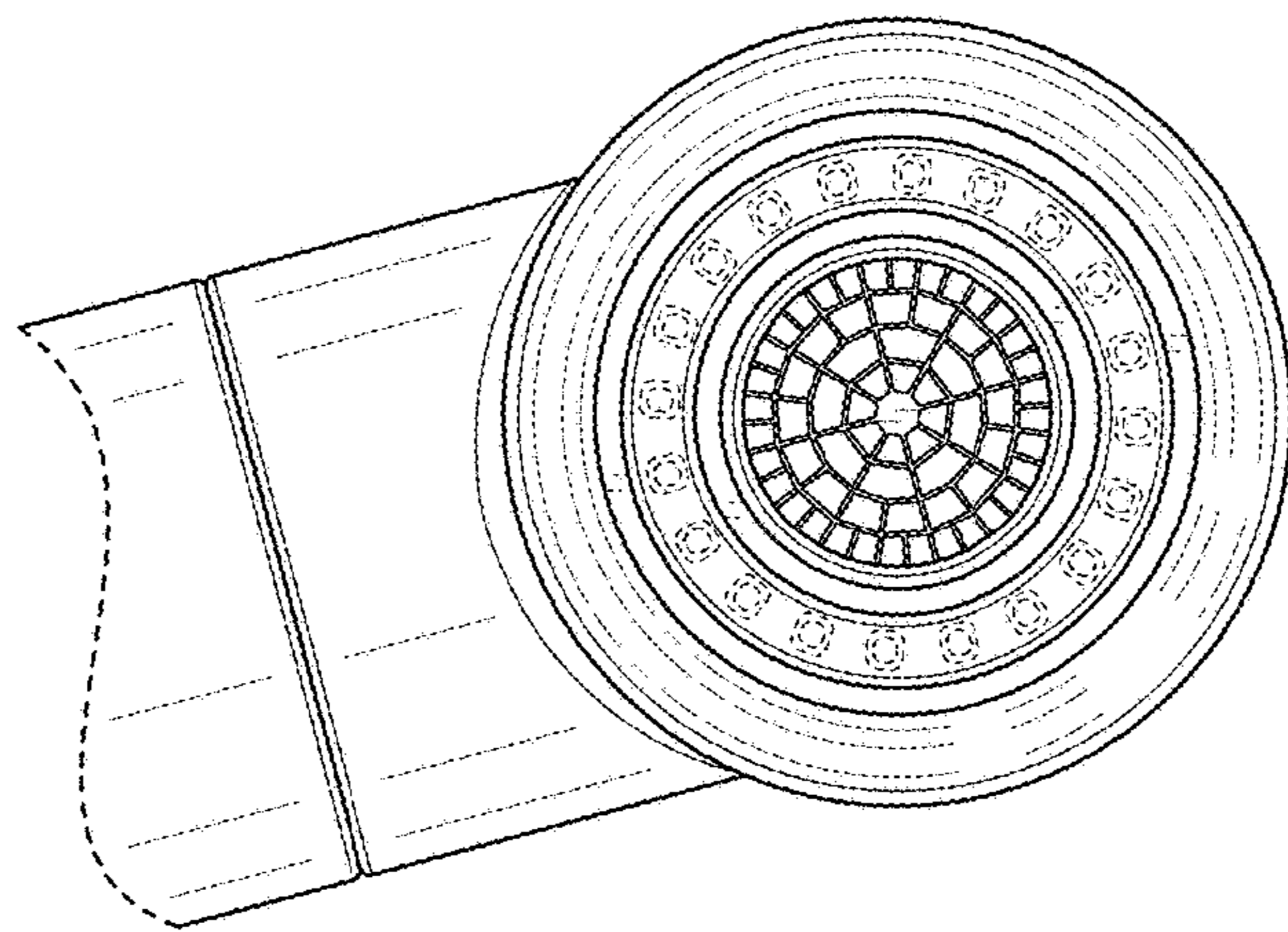


FIG. 14