



US00D855764S

(12) **United States Design Patent**
Song et al.

(10) **Patent No.:** **US D855,764 S**

(45) **Date of Patent:** **** Aug. 6, 2019**

(54) **FAUCET**

(71) Applicant: **AS America, Inc.**, Piscataway, NJ (US)

(72) Inventors: **Ki Bok Song**, Plainview, NY (US);
Alison Lyons, New York, NY (US);
Jiekun Qian, Elmhurst, NY (US);
Jean-Jacques L’Henaff, New Canaan,
CT (US); **Emilie Williams**, South
Plainfield, NJ (US)

(73) Assignee: **AS America, Inc.**, Piscataway, NJ (US)

(**) Term: **15 Years**

(21) Appl. No.: **29/628,813**

(22) Filed: **Dec. 7, 2017**

(51) **LOC (12) Cl.** **23-01**

(52) **U.S. Cl.**
USPC **D23/238**

(58) **Field of Classification Search**
USPC D23/238–243, 249–250, 252, 254–255,
D23/257, 213, 245
CPC ... Y10T 137/9464; E03C 1/04; E03C 1/0404;
E03C 1/0405; E03C 1/0411; E03C
1/0412

See application file for complete search history.

(56) **References Cited**

U.S. PATENT DOCUMENTS

D313,835 S *	1/1991	Knapp	D23/238
5,976,362 A	11/1999	Wadsworth et al.		
6,179,130 B1	1/2001	Nguyen et al.		
6,219,860 B1	4/2001	Chang		
D510,410 S *	10/2005	Jsensn	D23/238
D522,614 S	6/2006	Ko		
D525,342 S *	7/2006	Starck	D23/238
7,090,144 B2	8/2006	Gross et al.		
D541,375 S	4/2007	Buettgen		
7,326,334 B2	2/2008	Boyd et al.		
D599,893 S *	9/2009	Sieger	D23/255

7,617,939 B2	11/2009	Klump et al.		
7,717,270 B2	5/2010	Boyd et al.		
D619,220 S *	7/2010	Semchuck	D23/238
7,810,650 B2	10/2010	Ennis et al.		
D630,711 S *	1/2011	Eilmus	D23/238
D652,489 S	1/2012	Bosio		
D653,309 S *	1/2012	Starck	D23/257
D657,024 S	4/2012	Bosio		
D668,743 S	10/2012	Kennedy		
D701,942 S	4/2014	Flowers		
9,004,290 B2	4/2015	Tanner et al.		
D767,102 S *	9/2016	Schoenherr	D23/257
9,568,132 B2 *	2/2017	Erickson	E03C 1/0404
9,604,857 B2	3/2017	Sasaki et al.		
9,644,353 B1	5/2017	Chang		
D807,989 S	1/2018	Kaule		

(Continued)

OTHER PUBLICATIONS

Notice of Allowance dated Nov. 16, 2018, directed to MX Appli-
cation No. MX/f/2018/001660; 5 pages.

(Continued)

Primary Examiner — Robert A Delehanty
(74) *Attorney, Agent, or Firm* — Morrison & Foerster
LLP

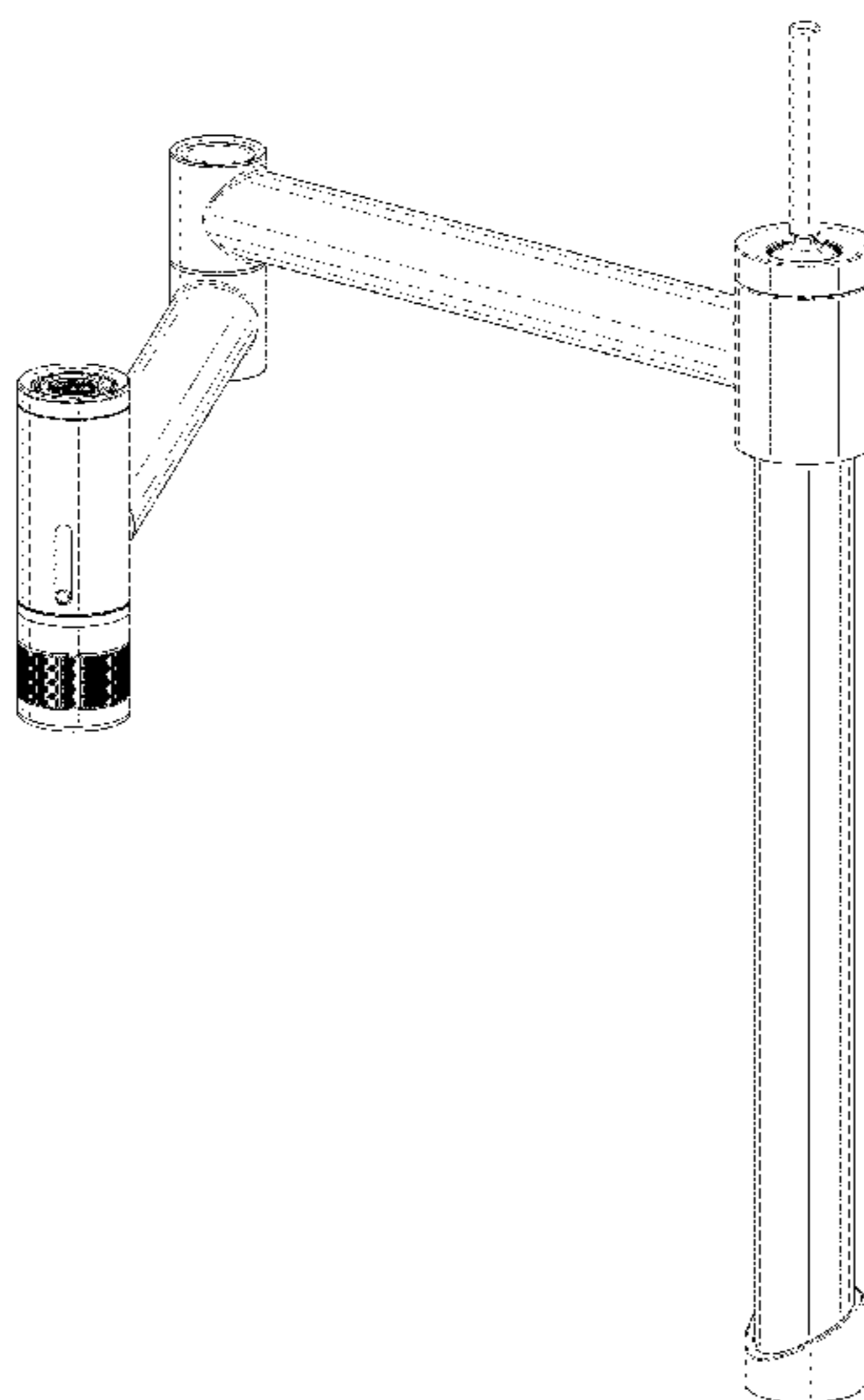
(57) **CLAIM**

We claim the ornamental design for a faucet, as shown and
described.

DESCRIPTION

FIG. 1 is a front perspective view of a faucet showing our
new design;
FIG. 2 is a side view thereof;
FIG. 3 is a side view of the opposite side of FIG. 2;
FIG. 4 is a rear view thereof;
FIG. 5 is a front view thereof;
FIG. 6 is a top view thereof; and,
FIG. 7 is a bottom view.

1 Claim, 7 Drawing Sheets



(56)

References Cited

U.S. PATENT DOCUMENTS

D809,109 S * 1/2018 Kirar D23/255
D832,981 S * 11/2018 Andrew D23/238
2007/0251590 A1* 11/2007 Weinstein E03C 1/0404
137/801
2017/0002552 A1 1/2017 Wang et al.

OTHER PUBLICATIONS

Notice of Allowance dated Nov. 16, 2018, directed to MX Appli-
cation No. MX/f/2018/001664; 5 pages.

Notice of Allowance dated Jan. 21, 2019, directed to MX Applica-
tion No. MX/f/2018/001665; 5 pages.

Examiner's Report dated Feb. 18, 2019, directed to CA Application
No. 181573; 1 page.

* cited by examiner

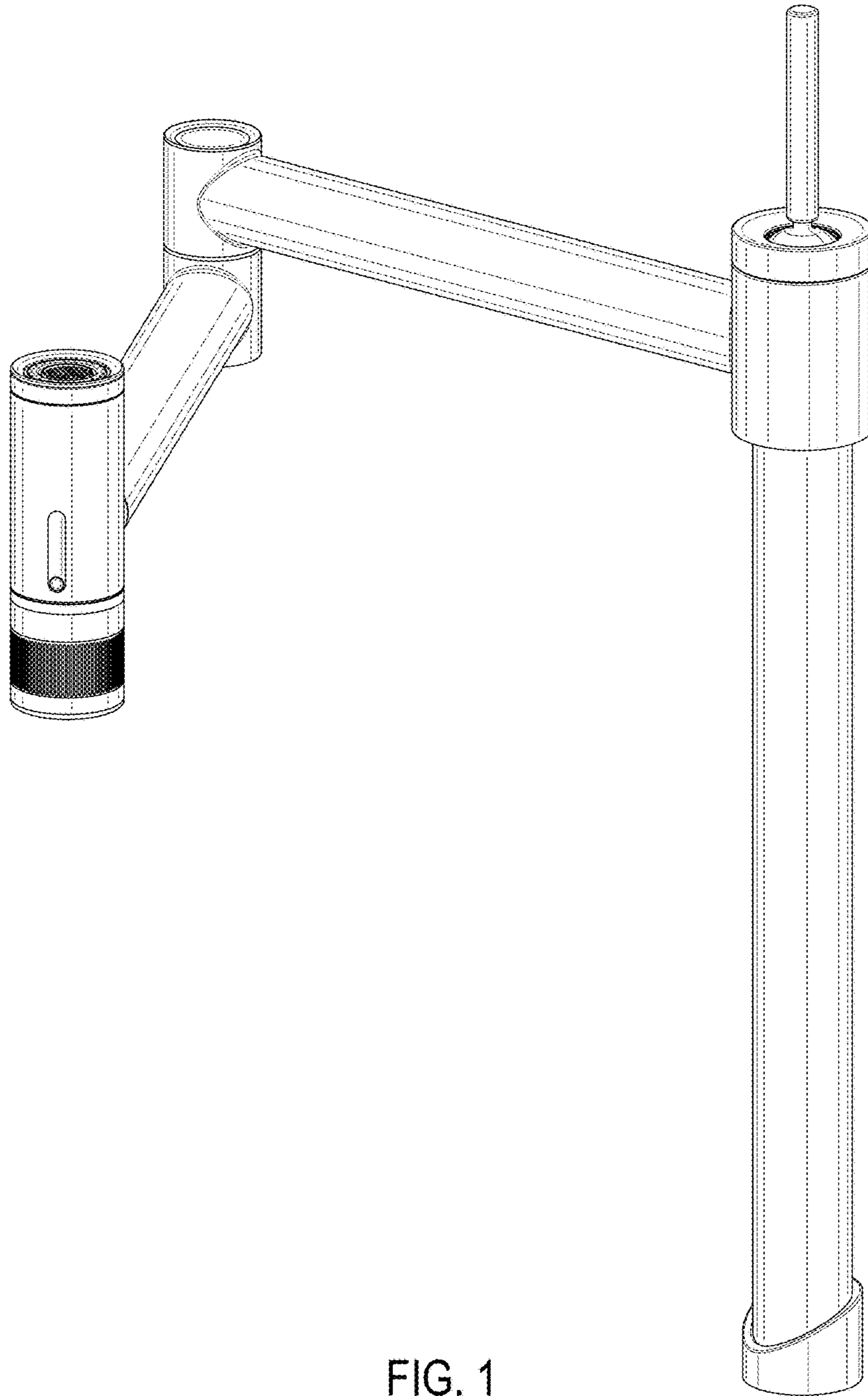
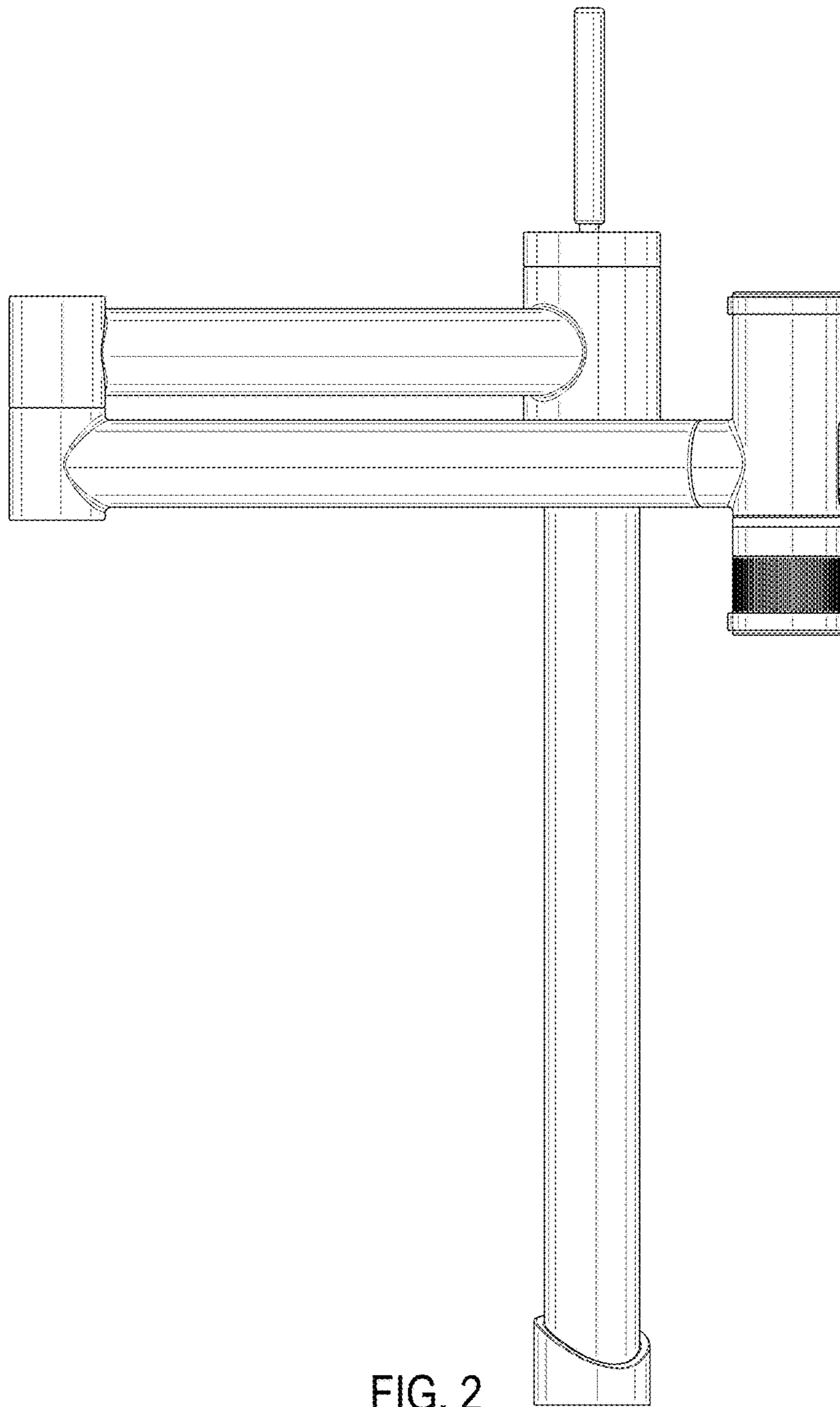


FIG. 1



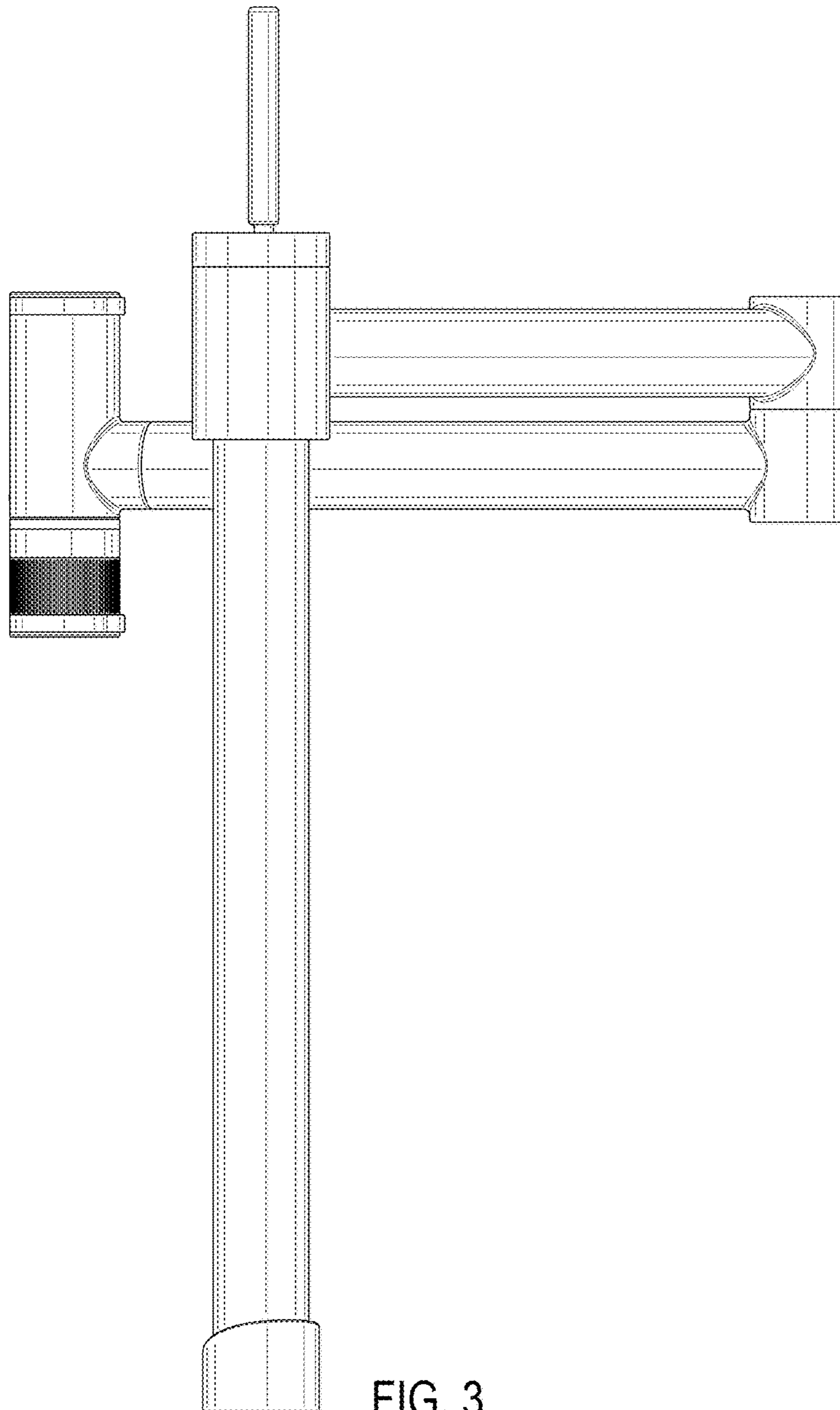


FIG. 3

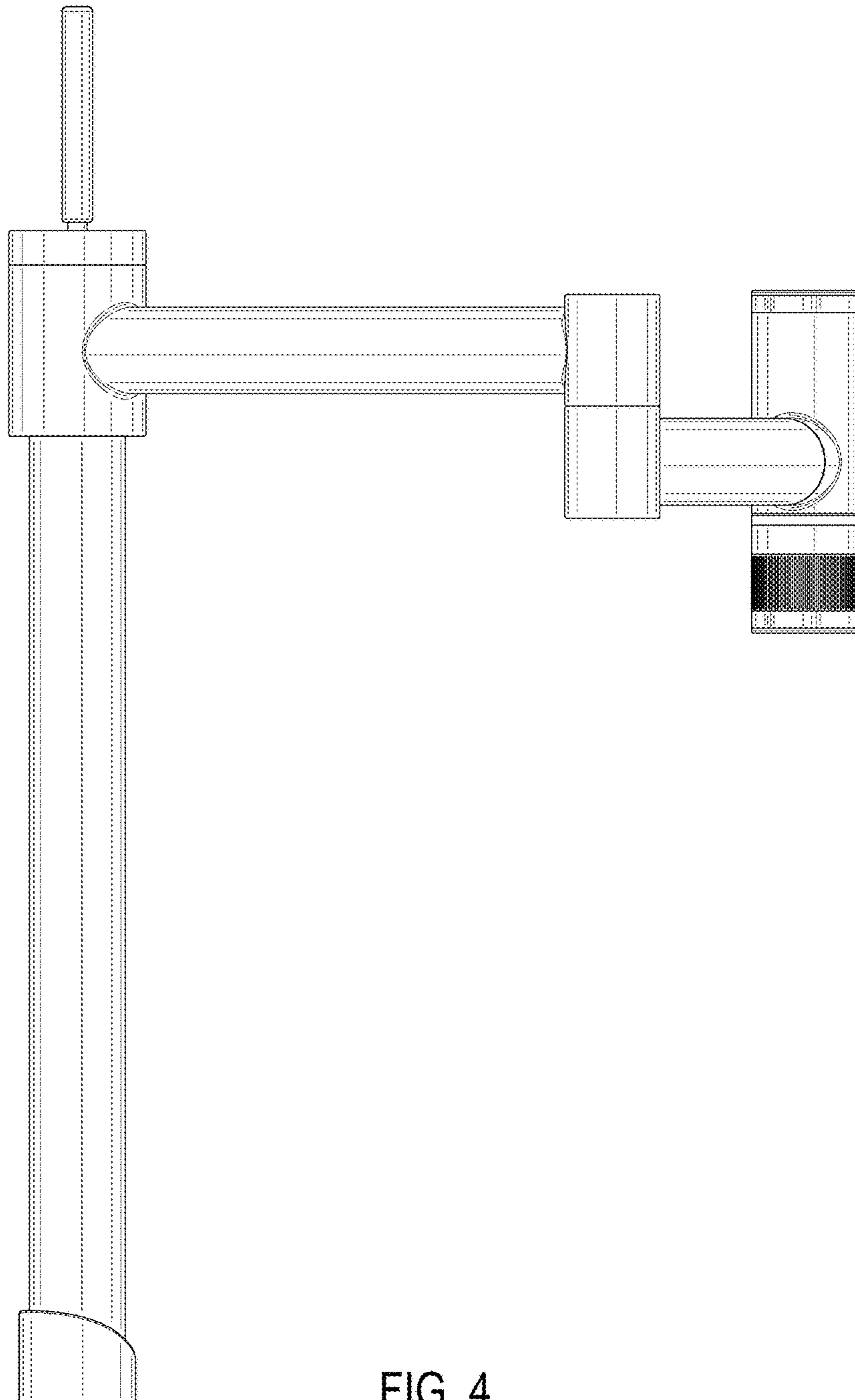


FIG. 4

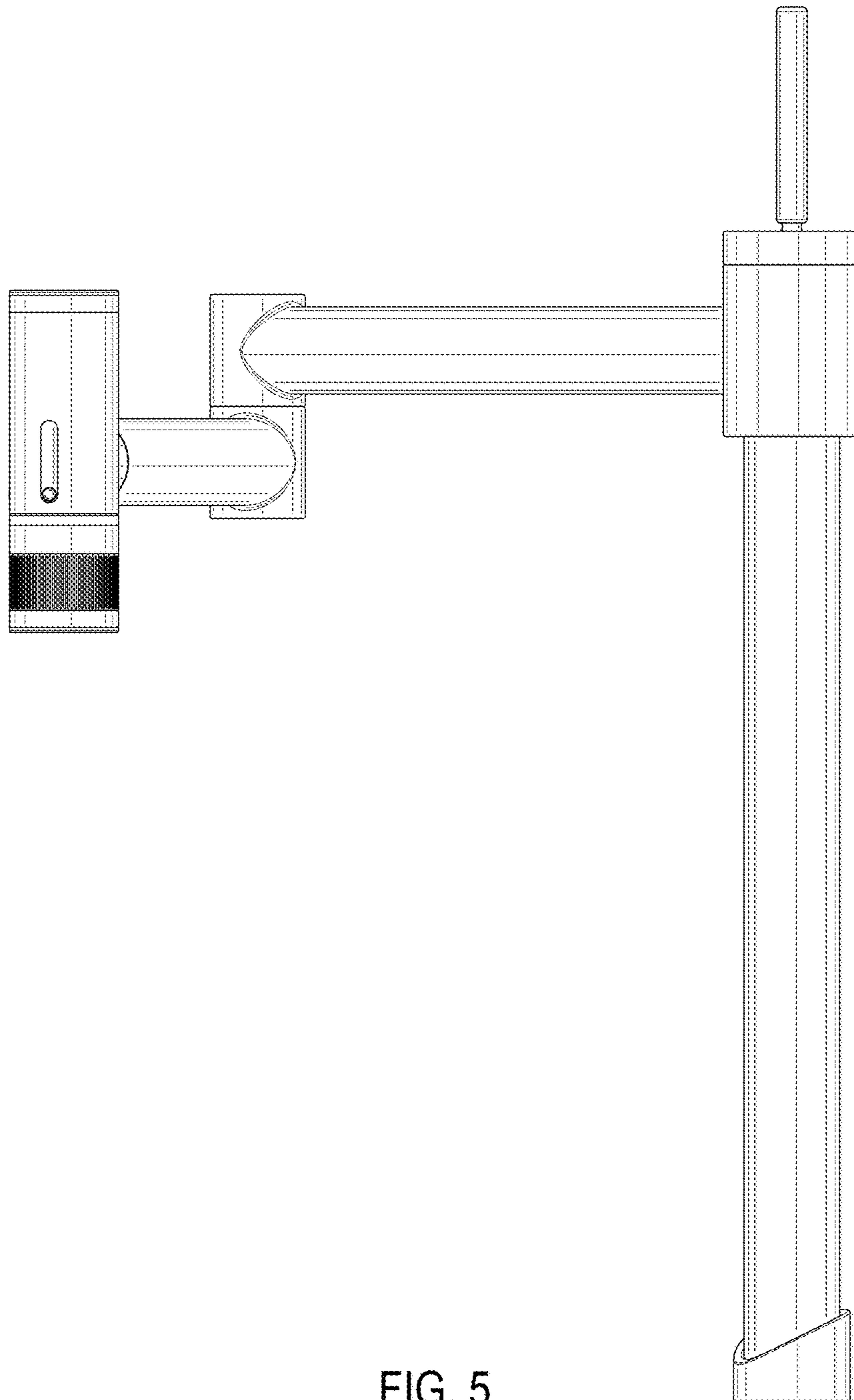


FIG. 5

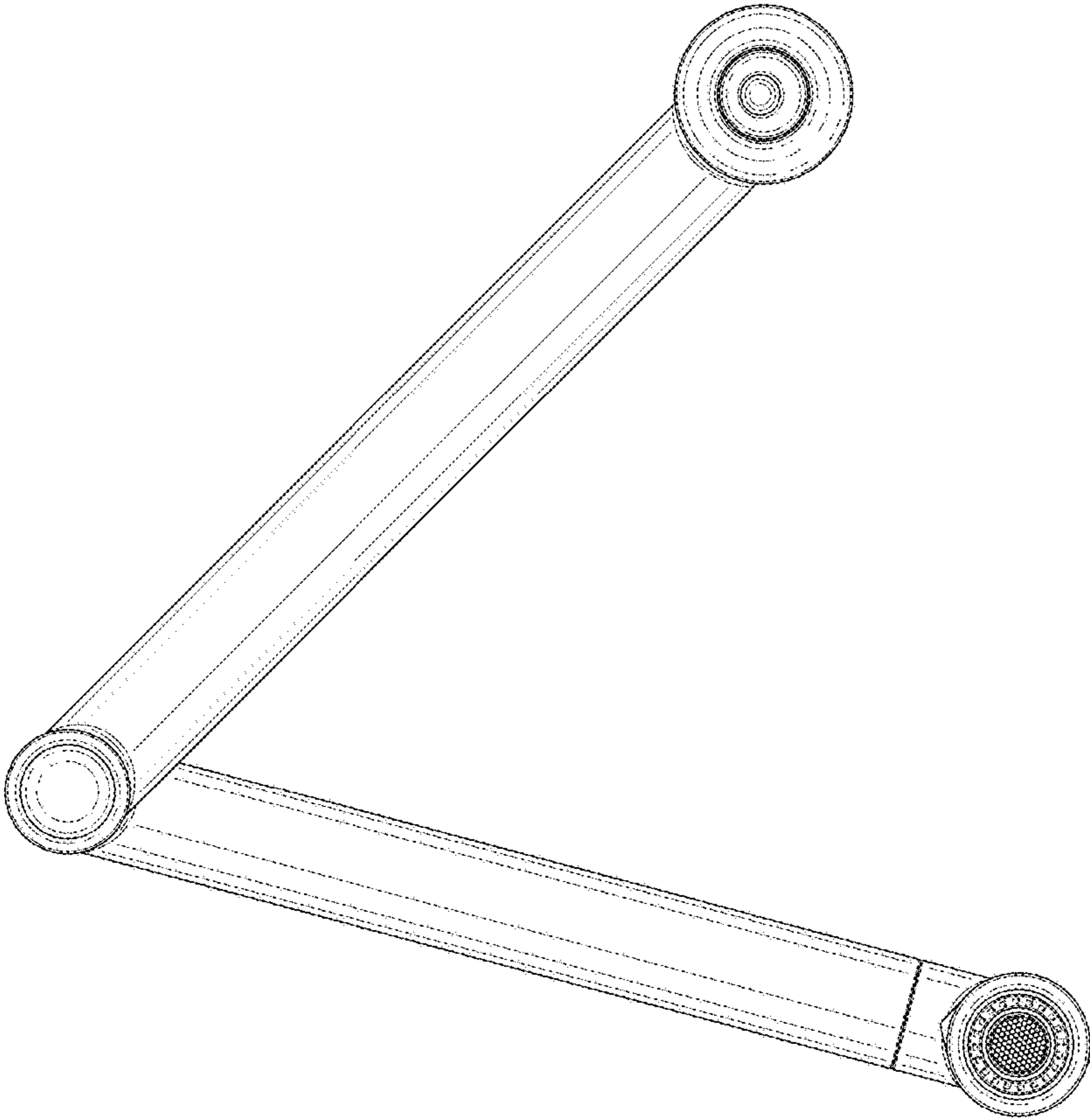


FIG. 6

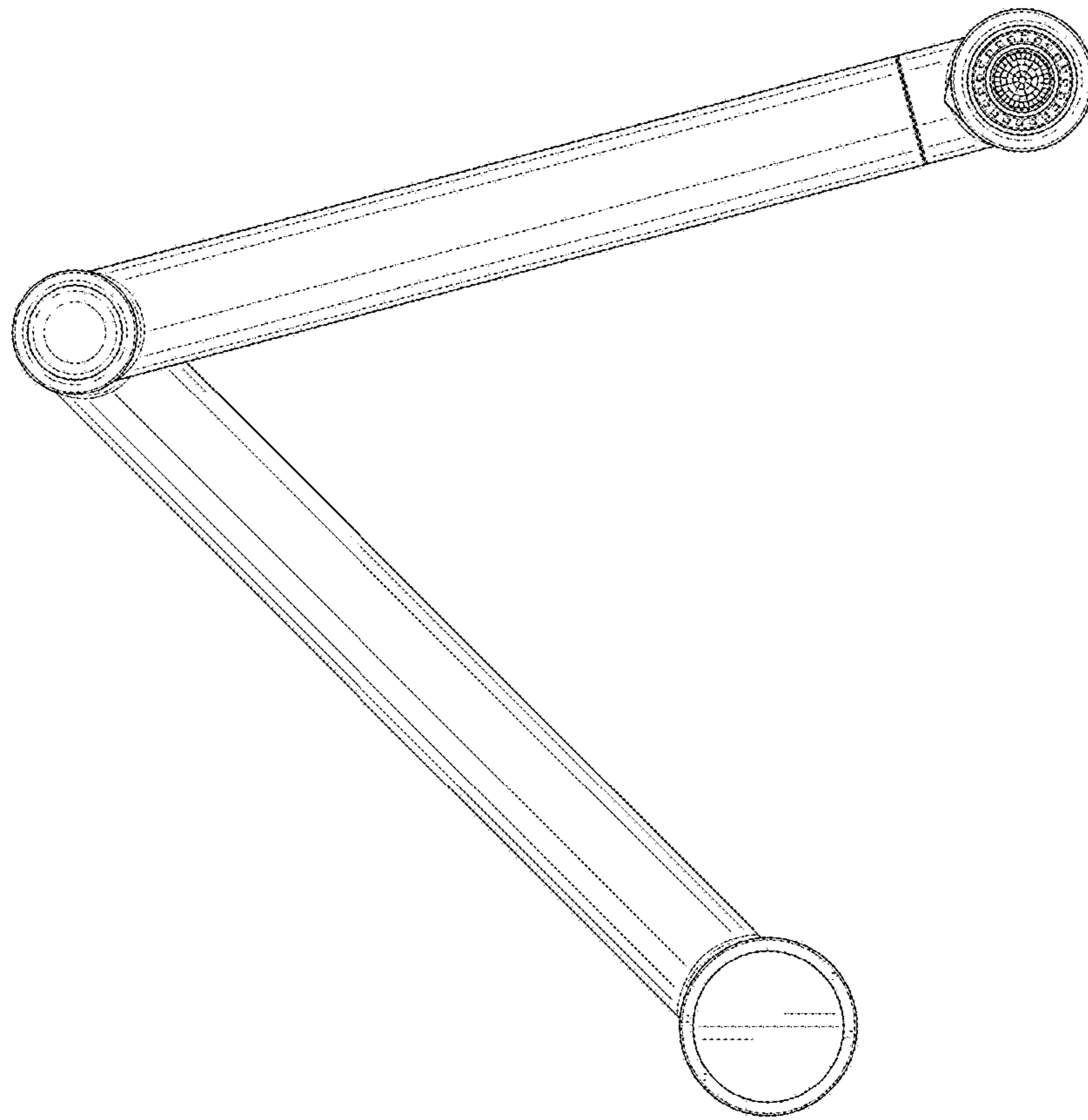


FIG. 7