



US00D855763S

(12) **United States Design Patent**
Stuart

(10) **Patent No.:** **US D855,763 S**

(45) **Date of Patent:** **** Aug. 6, 2019**

(54) **FAUCET**

(71) Applicant: **DELTA FAUCET COMPANY,**
Indianapolis, IN (US)

(72) Inventor: **Christopher Stuart,** Noblesville, IN
(US)

(73) Assignee: **DELTA FAUCET COMPANY,**
Indianapolis, IN (US)

(**) Term: **15 Years**

(21) Appl. No.: **29/628,424**

(22) Filed: **Dec. 5, 2017**

(51) **LOC (12) Cl.** **23-01**

(52) **U.S. Cl.**
USPC **D23/238; D23/252**

(58) **Field of Classification Search**
USPC D23/238–243, 245, 249–250, 253, 255,
D23/257; D8/307–308

CPC Y10T 137/9464; Y10T 137/6064; E03C
1/04; E03C 1/0404; E03C 1/0412; E03C
1/0409; E03C 1/042; E03C 1/02

See application file for complete search history.

(56) **References Cited**

U.S. PATENT DOCUMENTS

D254,801 S * 4/1980 Santi D23/238
D311,438 S * 10/1990 Strignano D23/242

D458,667 S * 6/2002 Gottwald D23/252
D464,406 S * 10/2002 Gottwald D23/255
D465,270 S * 11/2002 Gottwald D23/255
D466,982 S * 12/2002 Gerlach D23/241
D478,375 S * 8/2003 Hundley D23/238
D492,392 S * 6/2004 Pohl D23/241
D521,601 S * 5/2006 Uhl D23/239
D570,960 S * 6/2008 Semchuck D23/238
D580,522 S * 11/2008 Zhang D23/252

* cited by examiner

Primary Examiner — Robert A Delehanty

(74) *Attorney, Agent, or Firm* — Edgar A. Zarins; Nirav
D. Parikh

(57) **CLAIM**

The ornamental design for a faucet, as shown and described.

DESCRIPTION

FIG. 1 is a front perspective view of a faucet showing my
new design;

FIG. 2 is a rear perspective view thereof;

FIG. 3 is a top plan view thereof;

FIG. 4 is a left side view thereof;

FIG. 5 is a bottom view thereof;

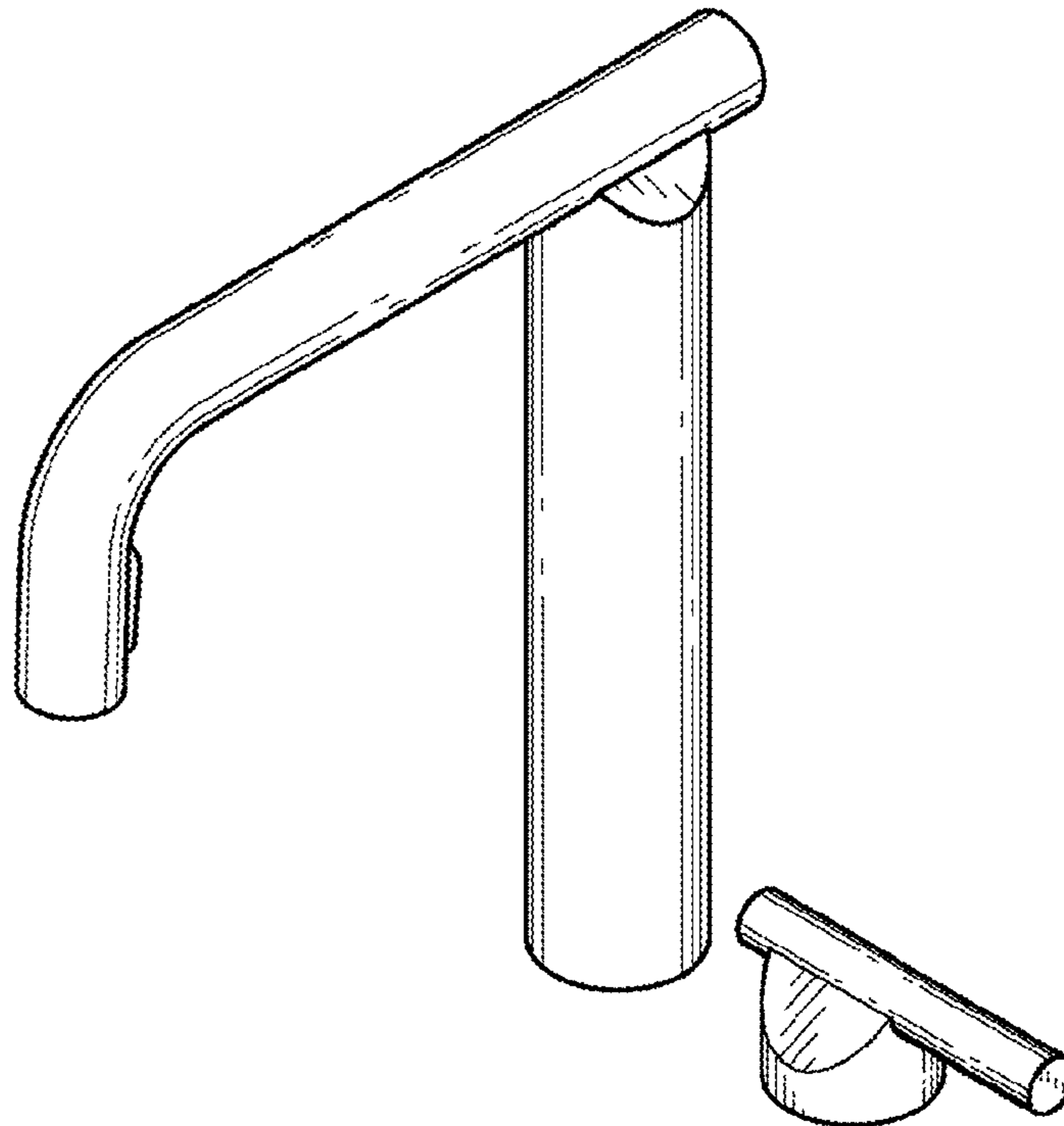
FIG. 6 is a rear view thereof;

FIG. 7 is a right side view thereof; and,

FIG. 8 is a front elevational view thereof.

The broken-line disclosure in the view represents a portion
of the faucet in which the claimed design is embodied, but
which forms no part of the claimed design.

1 Claim, 3 Drawing Sheets



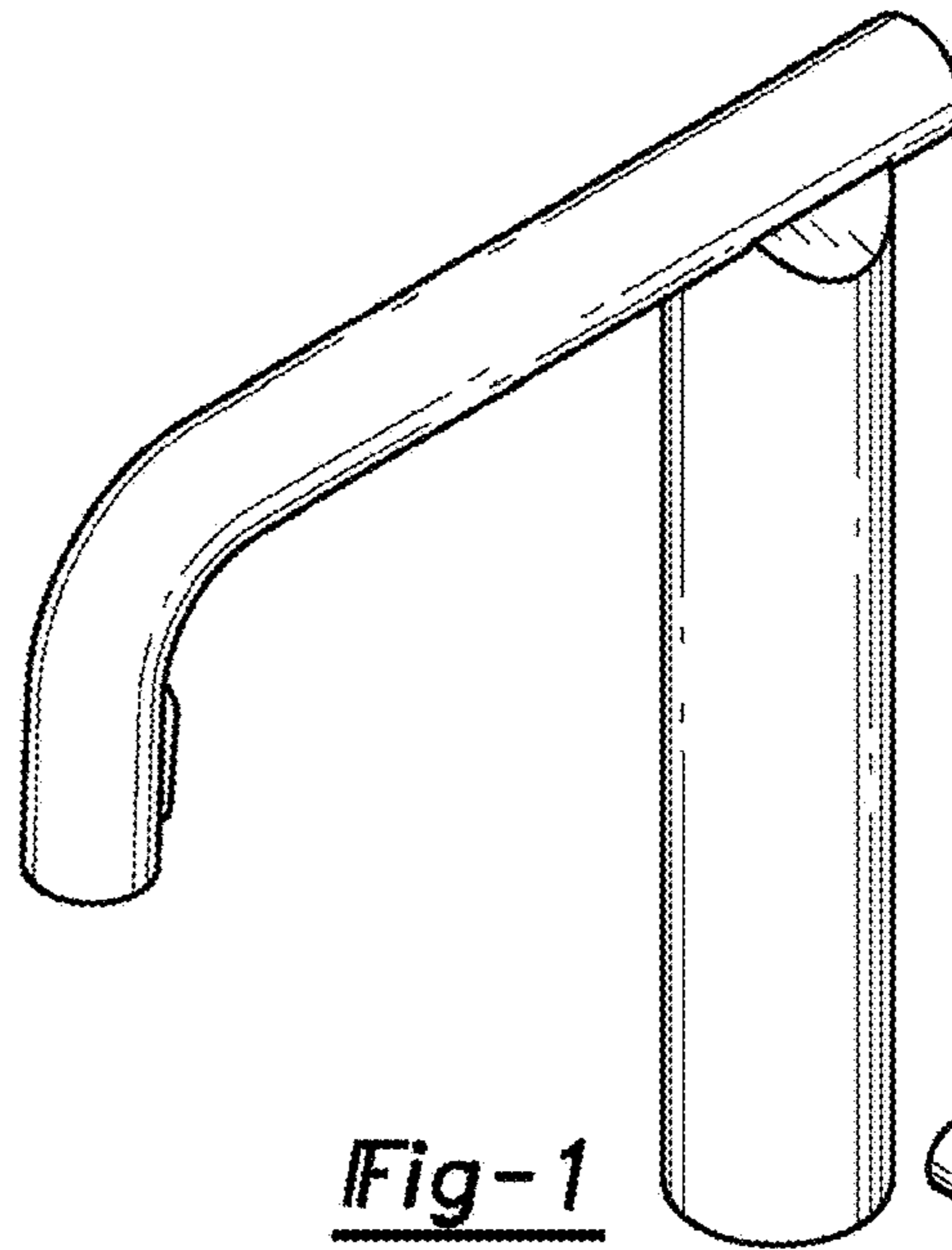


Fig-1

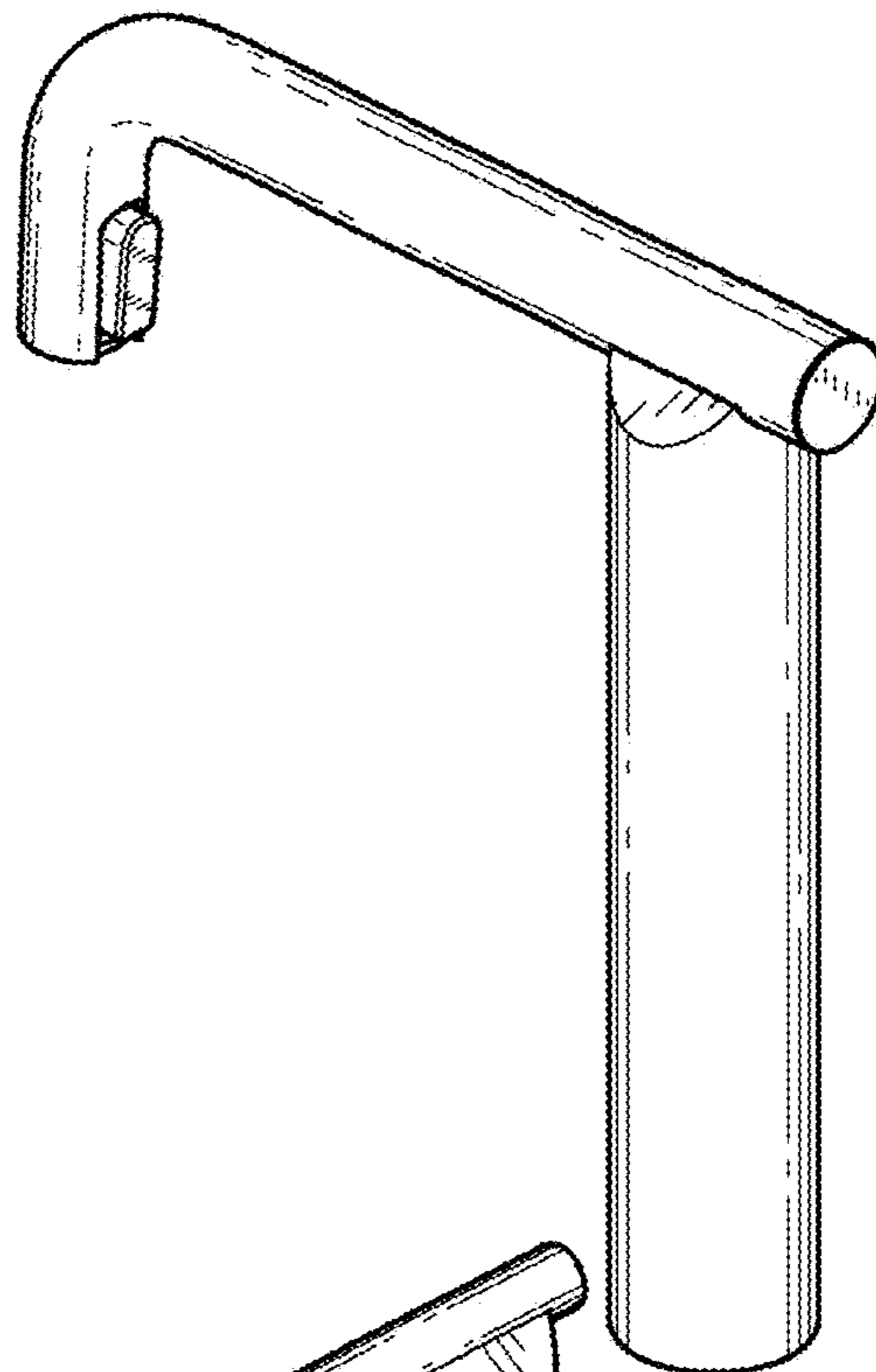
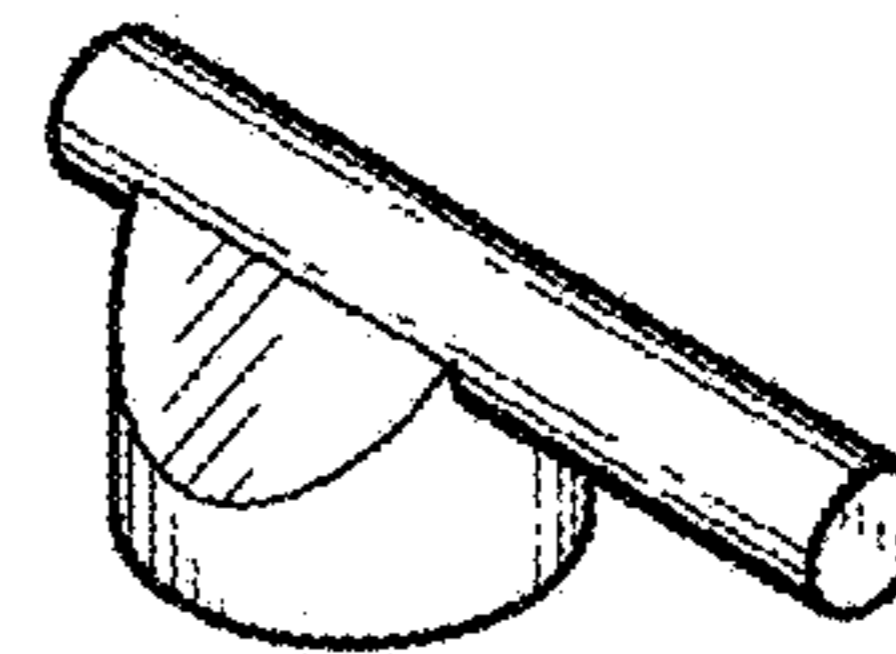
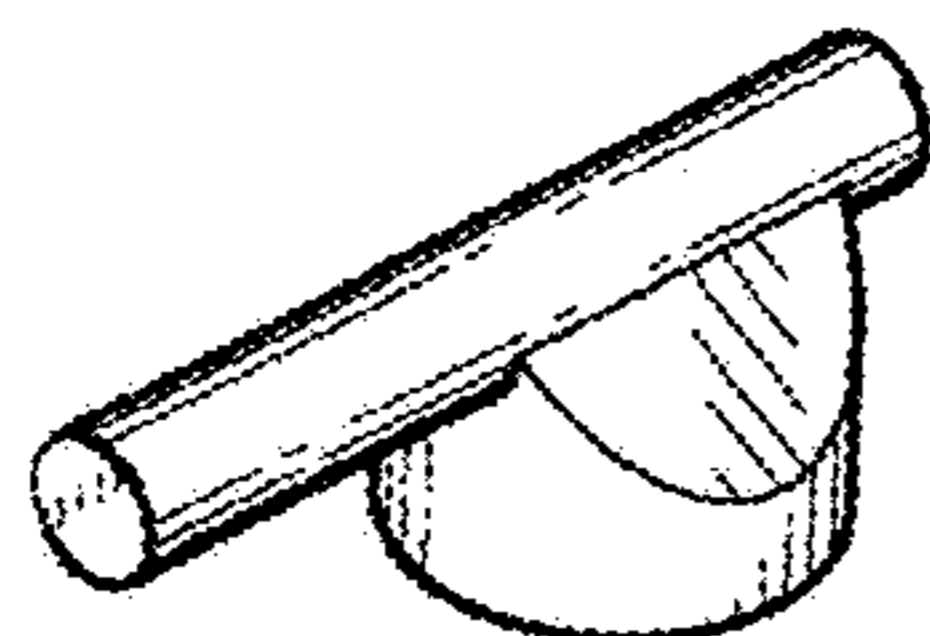


Fig-2



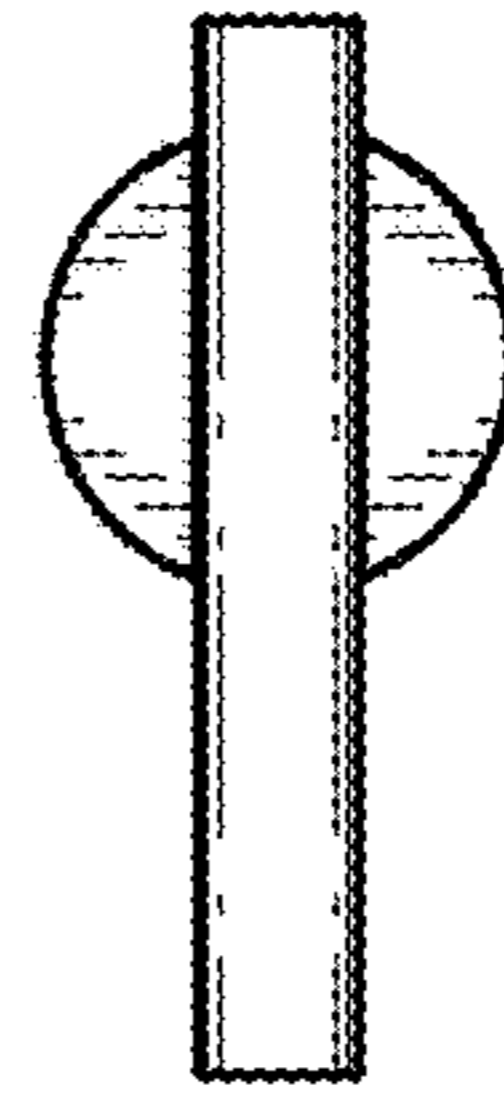
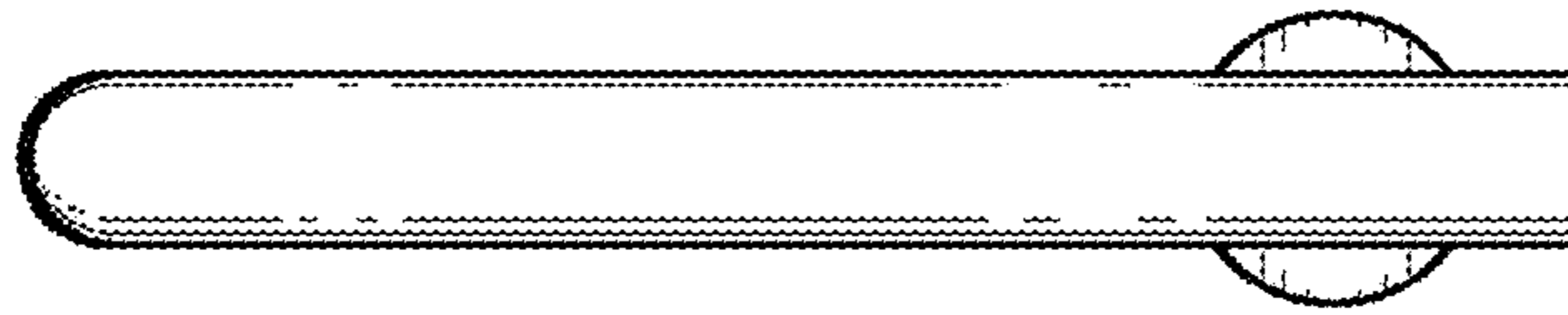


Fig-3

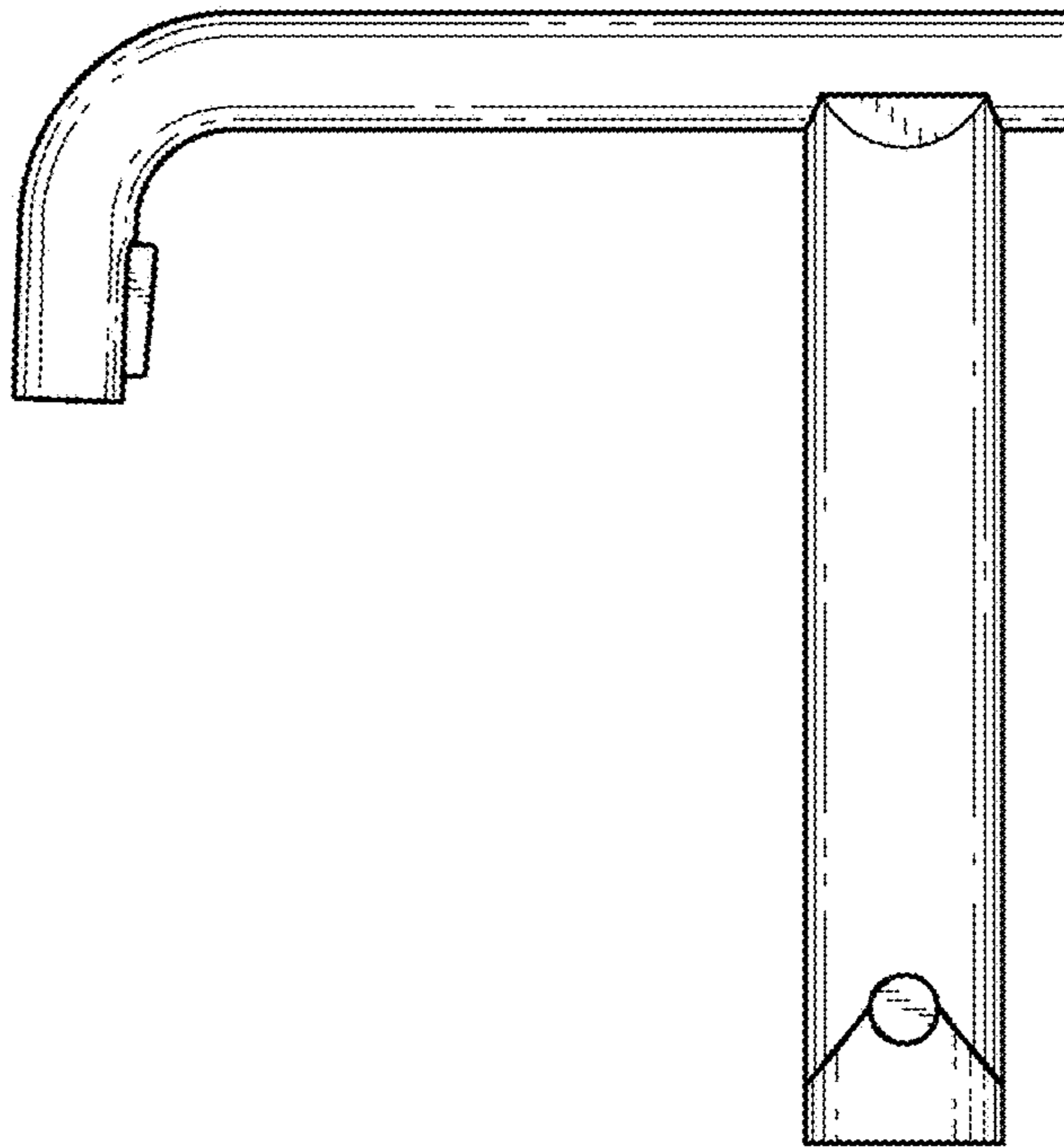


Fig-4

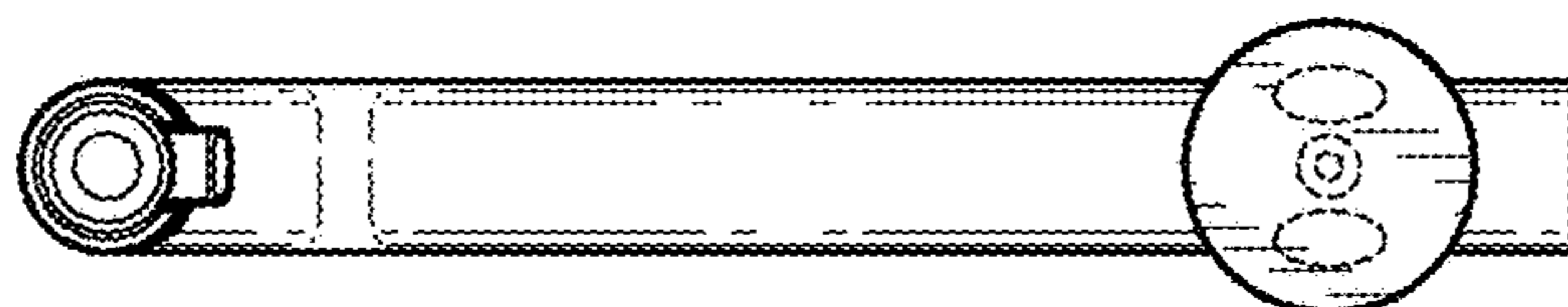


Fig-5

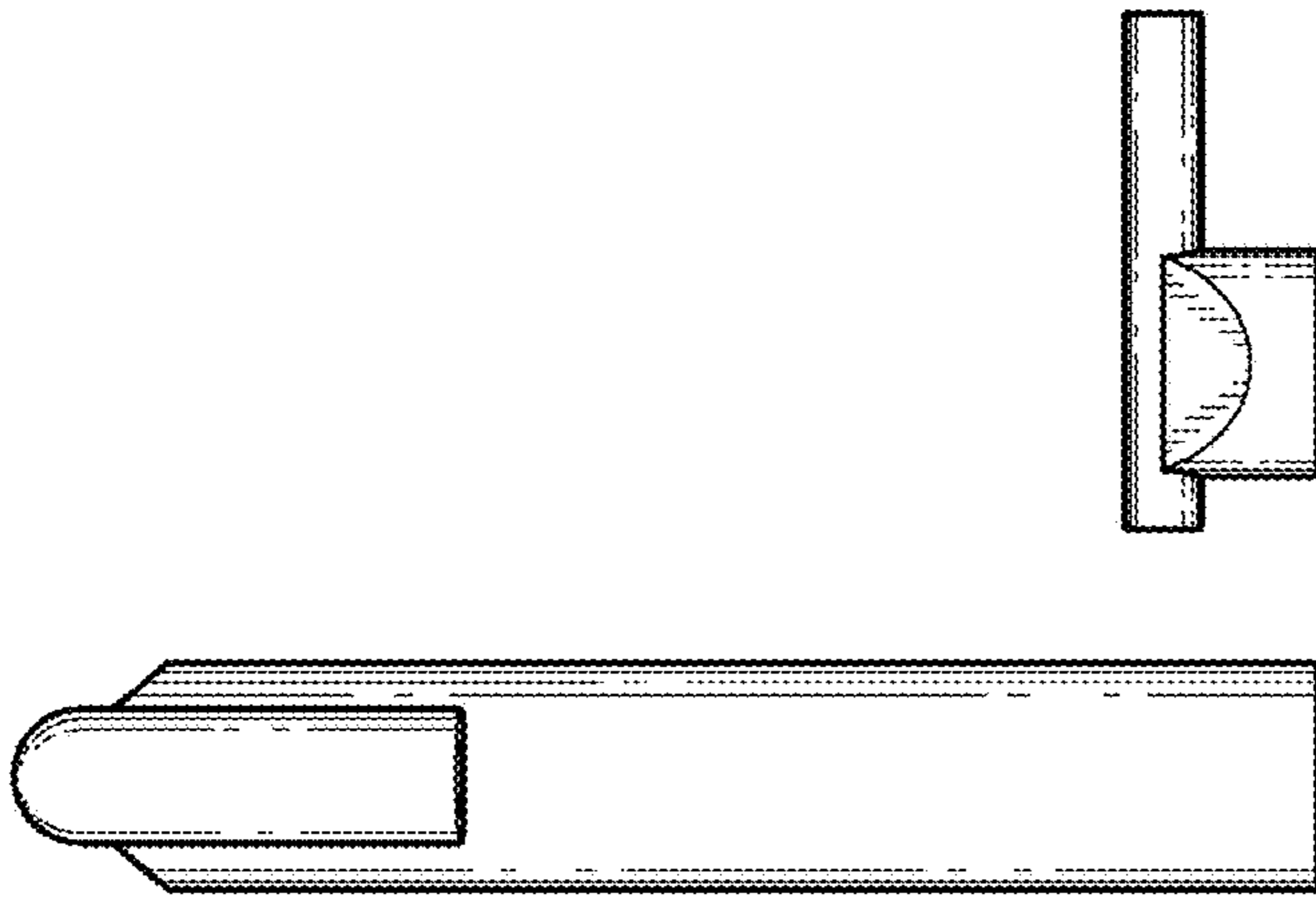


Fig-6

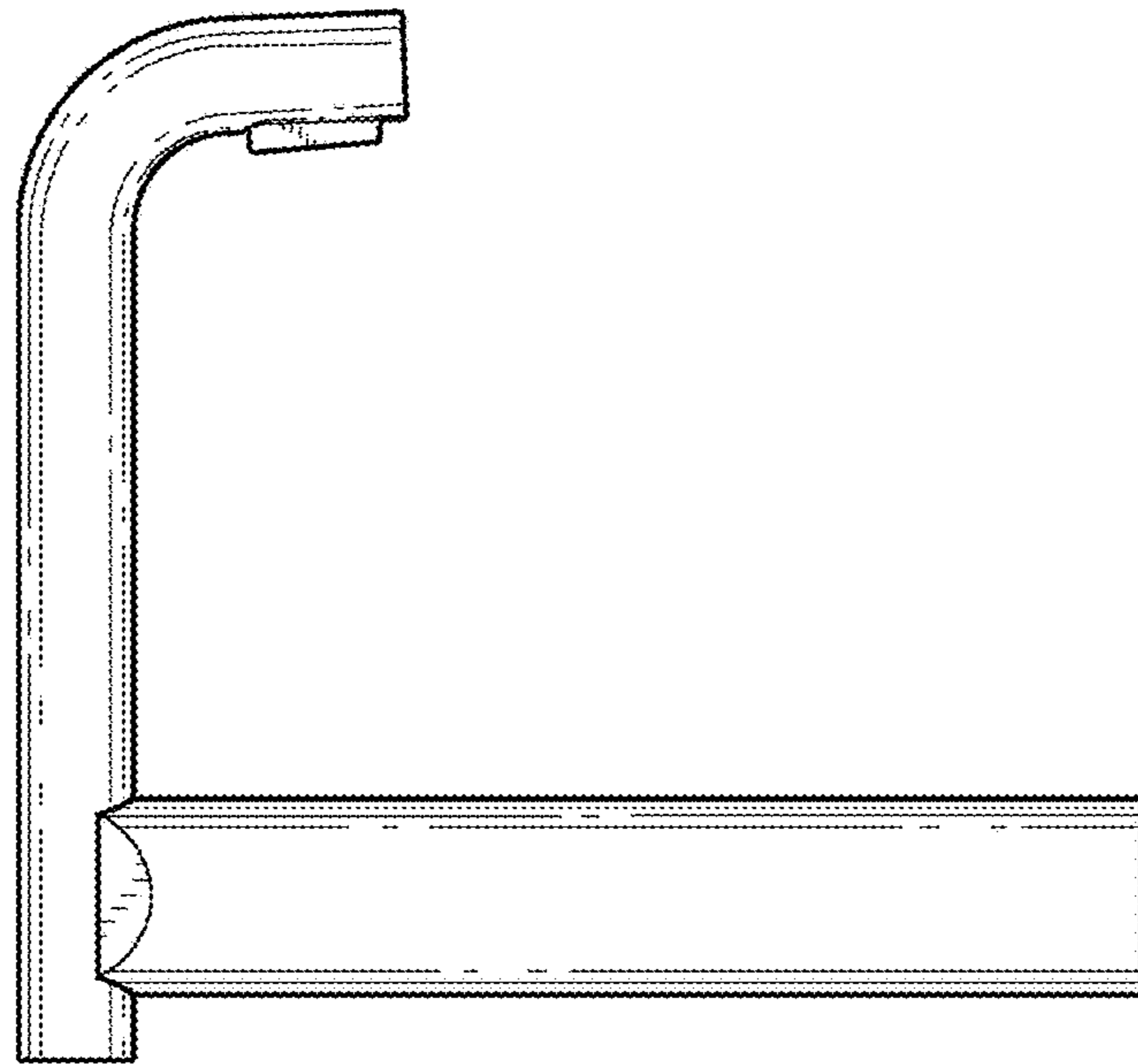


Fig-7

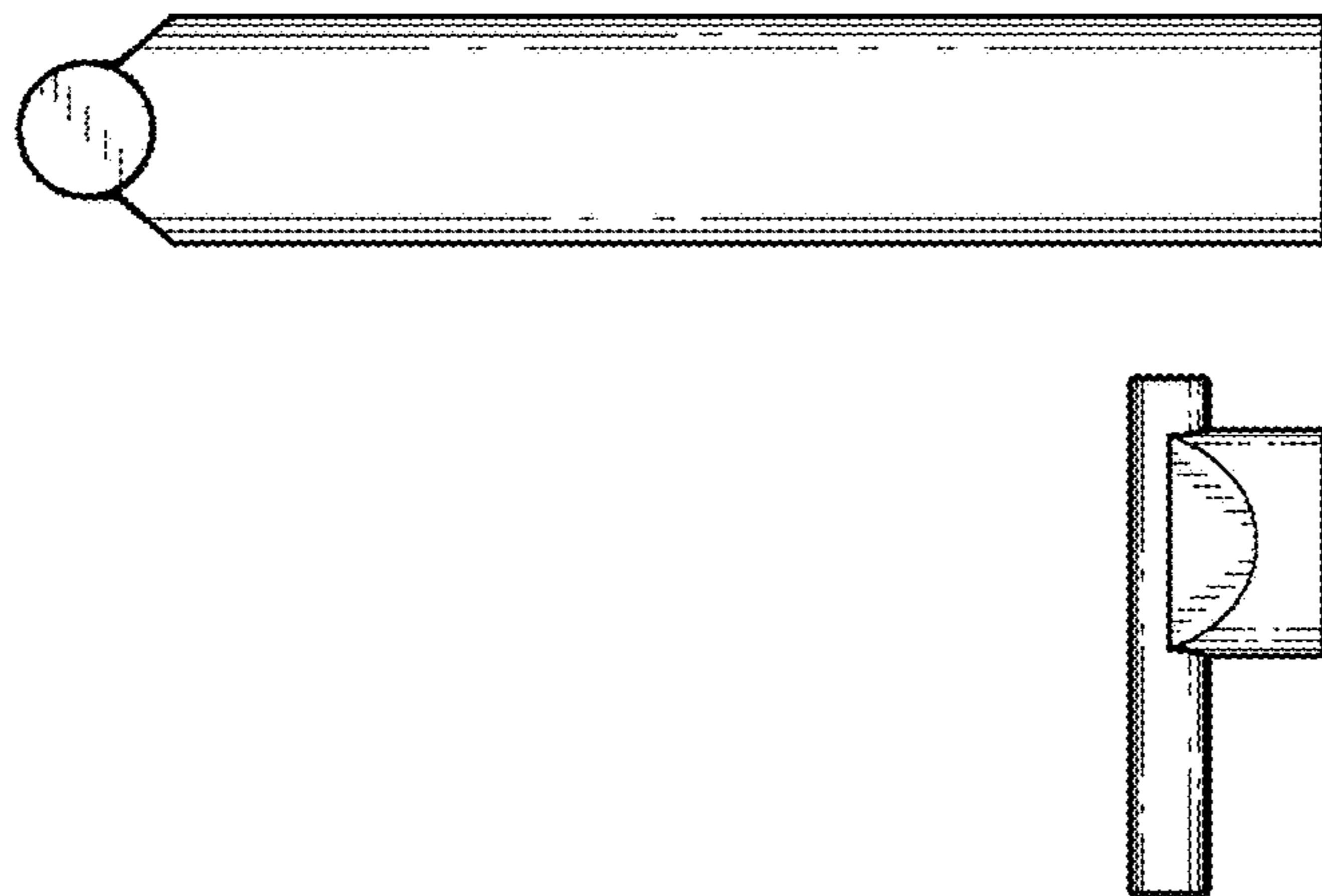


Fig-8