



US00D855760S

(12) **United States Design Patent** (10) **Patent No.:** **US D855,760 S**
Lee (45) **Date of Patent:** **** Aug. 6, 2019**

(54) **SPRAY HEAD FOR SHOWERS**
(71) Applicant: **IONSPA Co., Ltd.**, Bucheon-si (KR)
(72) Inventor: **SangHun Lee**, Incheon (KR)
(73) Assignee: **IONSPA CO., LTD.**, Bucheon-si (KR)
(**) Term: **15 Years**
(21) Appl. No.: **29/638,384**
(22) Filed: **Feb. 27, 2018**
(30) **Foreign Application Priority Data**

Nov. 10, 2017 (KR) 30-2017-0052536

(51) **LOC (12) Cl.** **23-01**

(52) **U.S. Cl.**
USPC **D23/223**

(58) **Field of Classification Search**
USPC D23/213, 223, 226, 228
CPC .. B05B 1/00; B05B 1/02; B05B 1/005; B05B
1/14; B05B 1/18; B05B 1/185
See application file for complete search history.

(56) **References Cited**

U.S. PATENT DOCUMENTS

D457,598 S * 5/2002 Storti D23/223
D518,145 S * 3/2006 Nikles D23/223

D619,210 S * 7/2010 Jian D23/223
D655,383 S * 3/2012 Flowers D23/223
D659,797 S * 5/2012 Farley D23/223
D737,931 S * 9/2015 Schoenherr D23/223
D744,065 S * 11/2015 Peterson D23/223
D751,669 S * 3/2016 Bahler D23/223

* cited by examiner

Primary Examiner — Robin V Webster

(74) *Attorney, Agent, or Firm* — Heedong Chae; Lucem, PC

(57) **CLAIM**

The ornamental design for a spray head for showers, as shown and described.

DESCRIPTION

FIG. 1 is a front perspective view of a spray head for showers showing my design;
FIG. 2 is a front elevational view thereof;
FIG. 3 is a rear elevational view thereof;
FIG. 4 is a left side elevational view thereof;
FIG. 5 is a right side elevational view thereof;
FIG. 6 is a top plan view thereof; and,
FIG. 7 is a bottom plan view thereof.
The broken lines depict unclaimed environment and form no part of the claimed design.

1 Claim, 6 Drawing Sheets

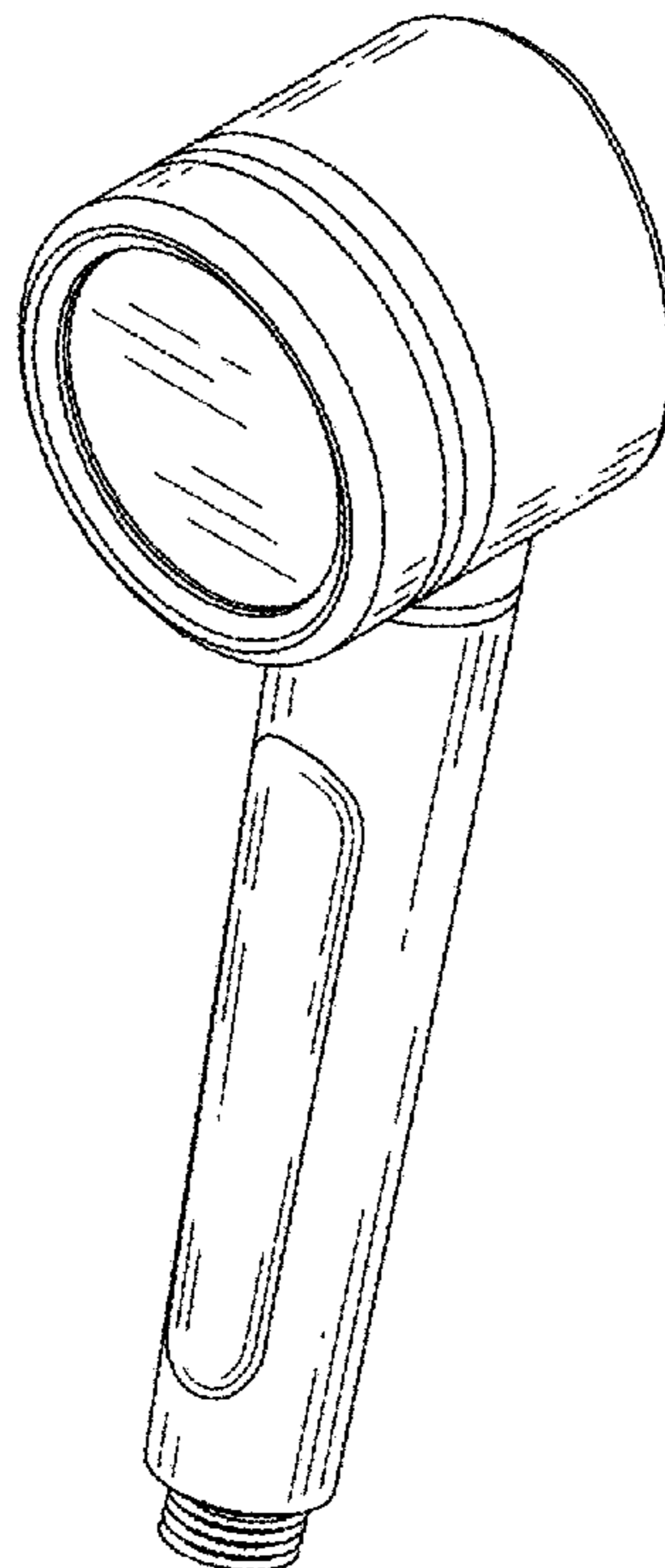


FIG. 1

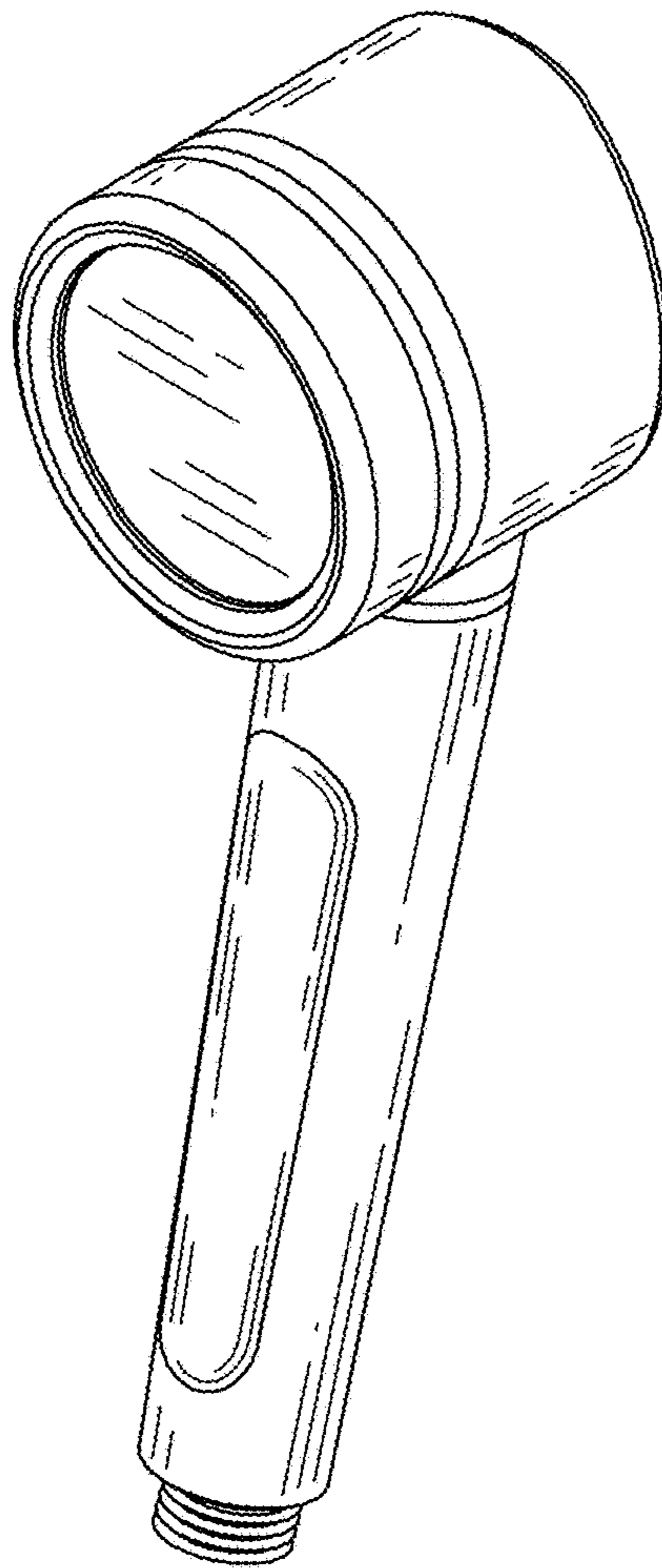


FIG. 2

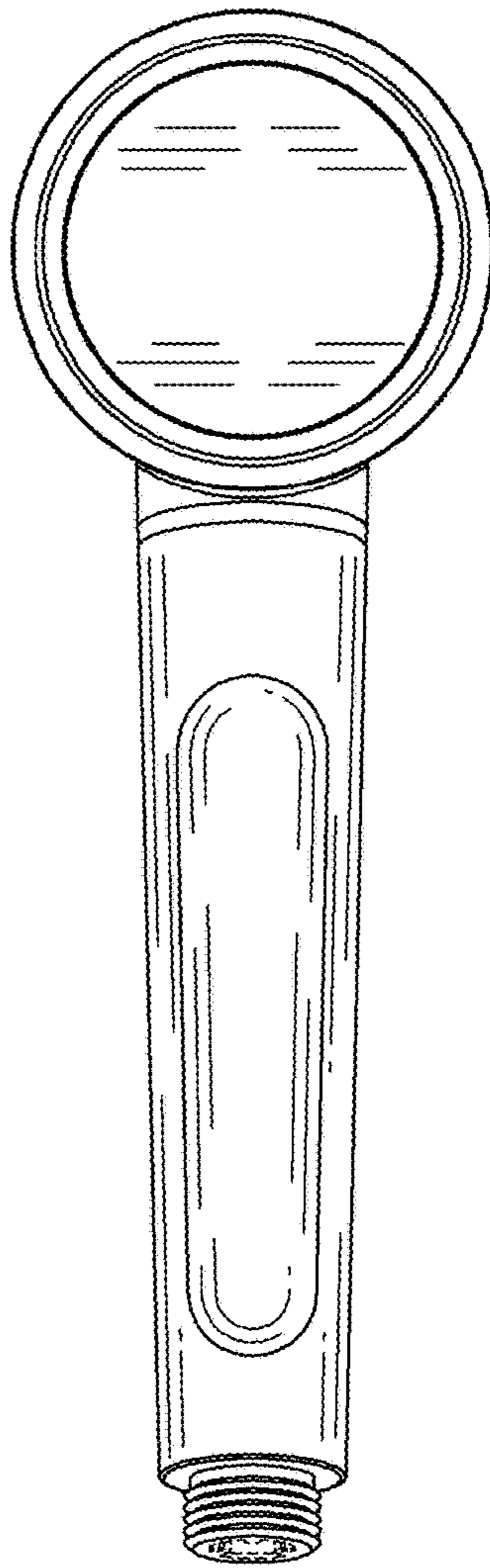


FIG. 3

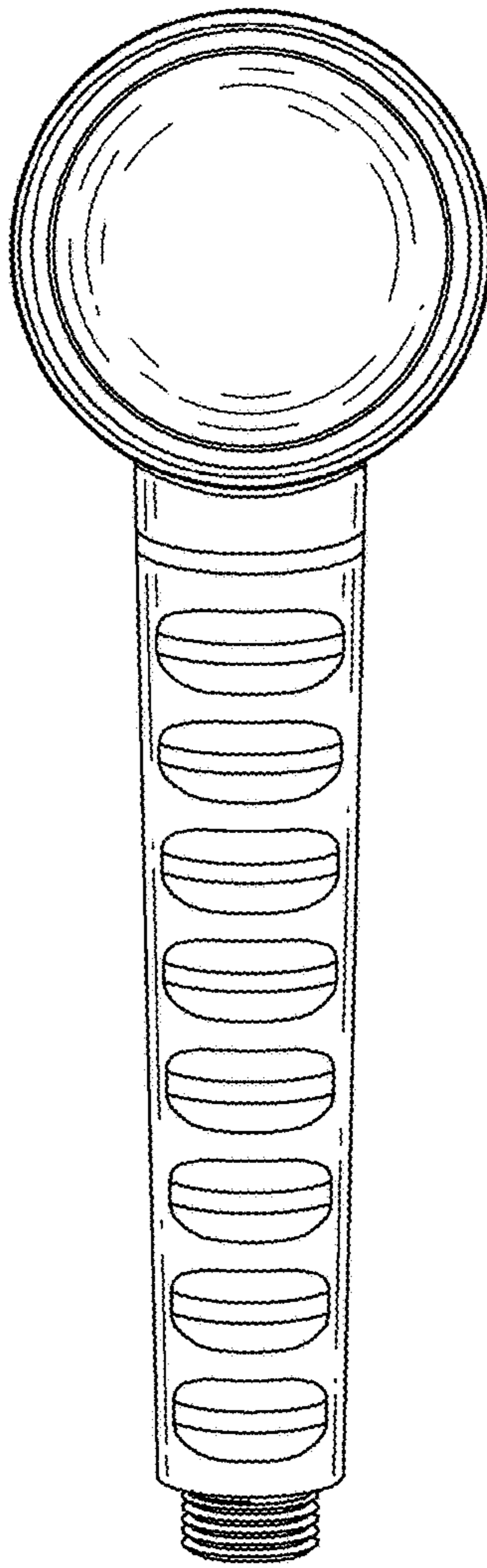


FIG. 4

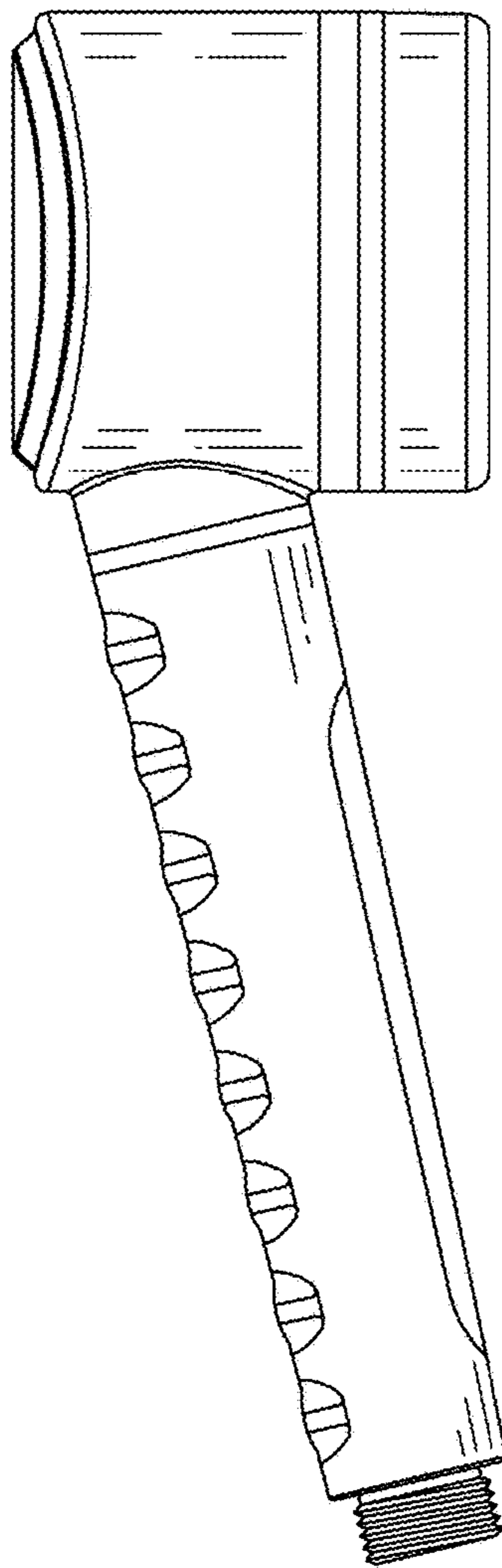


FIG. 5

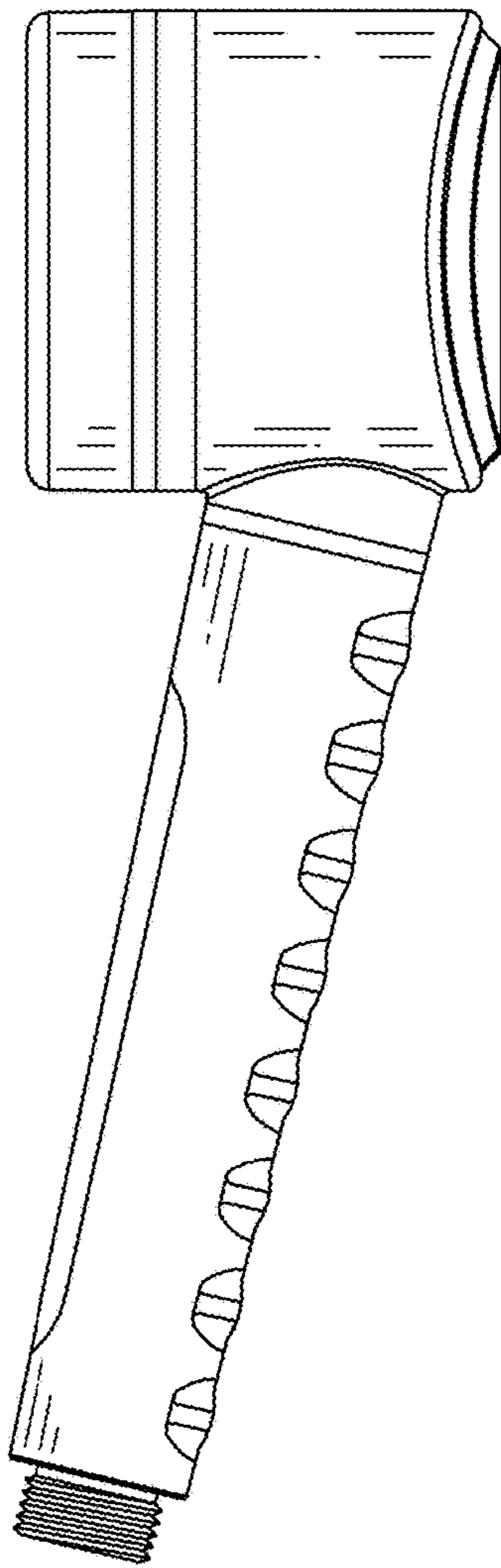


FIG. 6

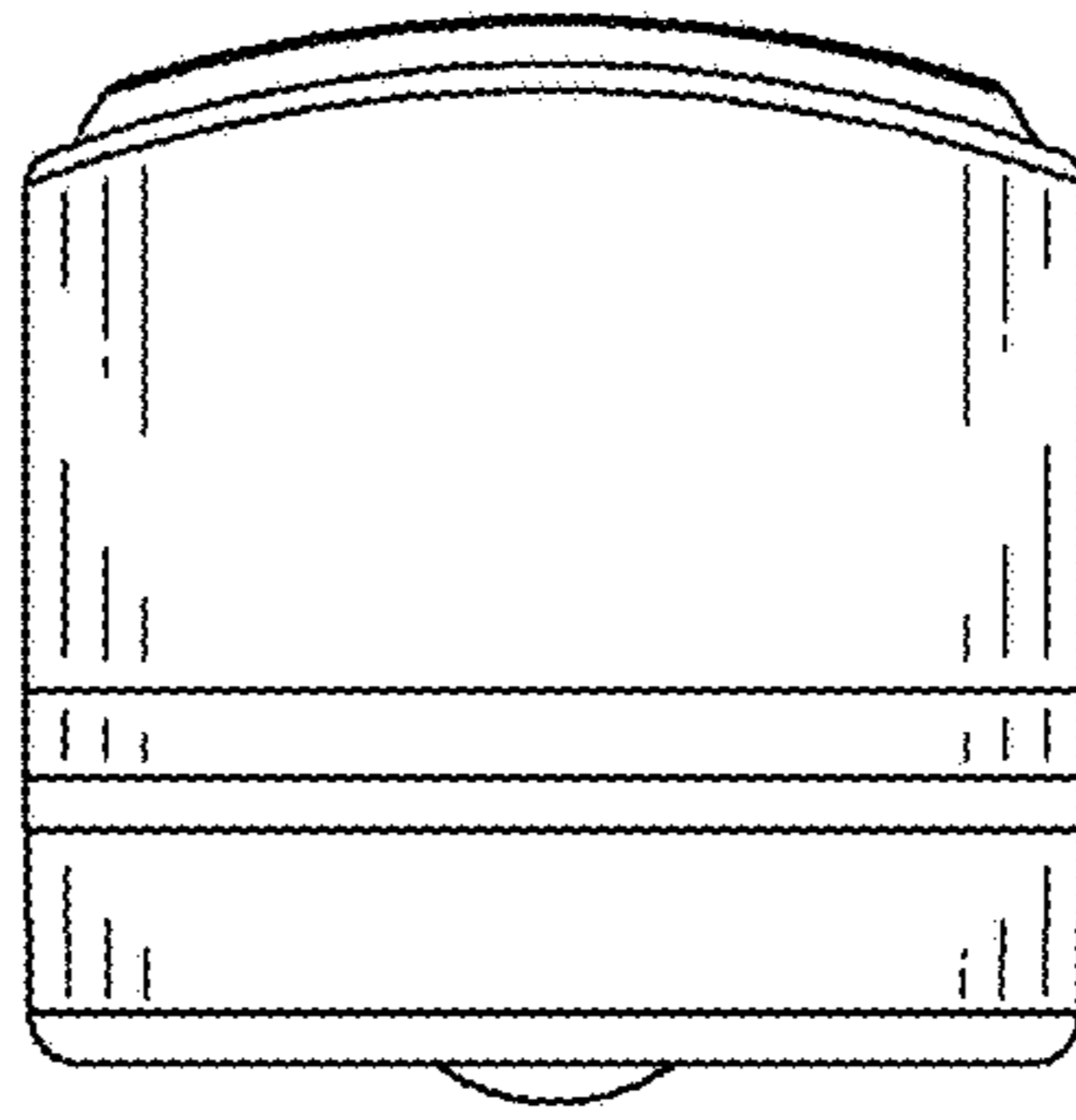


FIG. 7

