



US00D855759S

(12) **United States Design Patent** (10) **Patent No.:** **US D855,759 S**
Winter et al. (45) **Date of Patent:** **** Aug. 6, 2019**

(54) **SHOWER WAND**

(71) Applicant: **Nebia Inc.**, San Francisco, CA (US)

(72) Inventors: **Philip V. Winter**, San Francisco, CA (US); **Carlos Gomez Andonaegui**, San Francisco, CA (US); **Gabriel Parisi-Amon**, San Francisco, CA (US); **Corey Lynn Murphey**, San Francisco, CA (US); **David Shulman**, San Francisco, CA (US); **Emilio Gomez Varela**, San Francisco, CA (US); **Bret Recor**, San Francisco, CA (US); **Seth Murray**, San Francisco, CA (US); **Merric French**, San Francisco, CA (US); **Diane Lee**, San Francisco, CA (US); **Andrew Windler**, San Francisco, CA (US); **Philippe Manoux**, San Francisco, CA (US); **Yoav Ben-Haim**, San Francisco, CA (US); **Matt Swinton**, San Francisco, CA (US)

(73) Assignee: **Nebia, Inc.**, San Francisco, CA (US)

(**) Term: **15 Years**

(21) Appl. No.: **29/632,679**

(22) Filed: **Jan. 9, 2018**

Related U.S. Application Data

(63) Continuation of application No. 29/573,933, filed on Aug. 10, 2016, now Pat. No. Des. 810,233.

(51) **LOC (12) Cl.** **23-01**

(52) **U.S. Cl.**
USPC **D23/223**

(58) **Field of Classification Search**

USPC D23/213, 223, 226, 228

CPC .. B05B 1/00; B05B 1/02; B05B 1/005; B05B 1/14; B05B 1/18; B05B 1/185

See application file for complete search history.

(56) **References Cited**

U.S. PATENT DOCUMENTS

D313,267 S *	12/1990	Lenci	D23/213
D357,972 S *	5/1995	Huen	D23/223
D608,412 S *	1/2010	Barnard	D23/223
D668,320 S *	10/2012	Weihreter	D23/213
D674,046 S *	1/2013	Berger	D23/223
D723,137 S *	2/2015	Nikles	D23/223
D761,935 S *	7/2016	McCutcheon	D23/213
D810,233 S *	2/2018	Winter	D23/213
D832,398 S *	10/2018	Lin	D23/223

* cited by examiner

Primary Examiner — Robin V Webster

(74) *Attorney, Agent, or Firm* — Run8 Patent Group, LLC; Peter Miller

(57) **CLAIM**

We claim the ornamental design for a shower wand, as shown and described.

DESCRIPTION

FIG. 1 is a bottom view of the shower wand in the straight position.

FIG. 2 is a top view of the shower wand in the straight position.

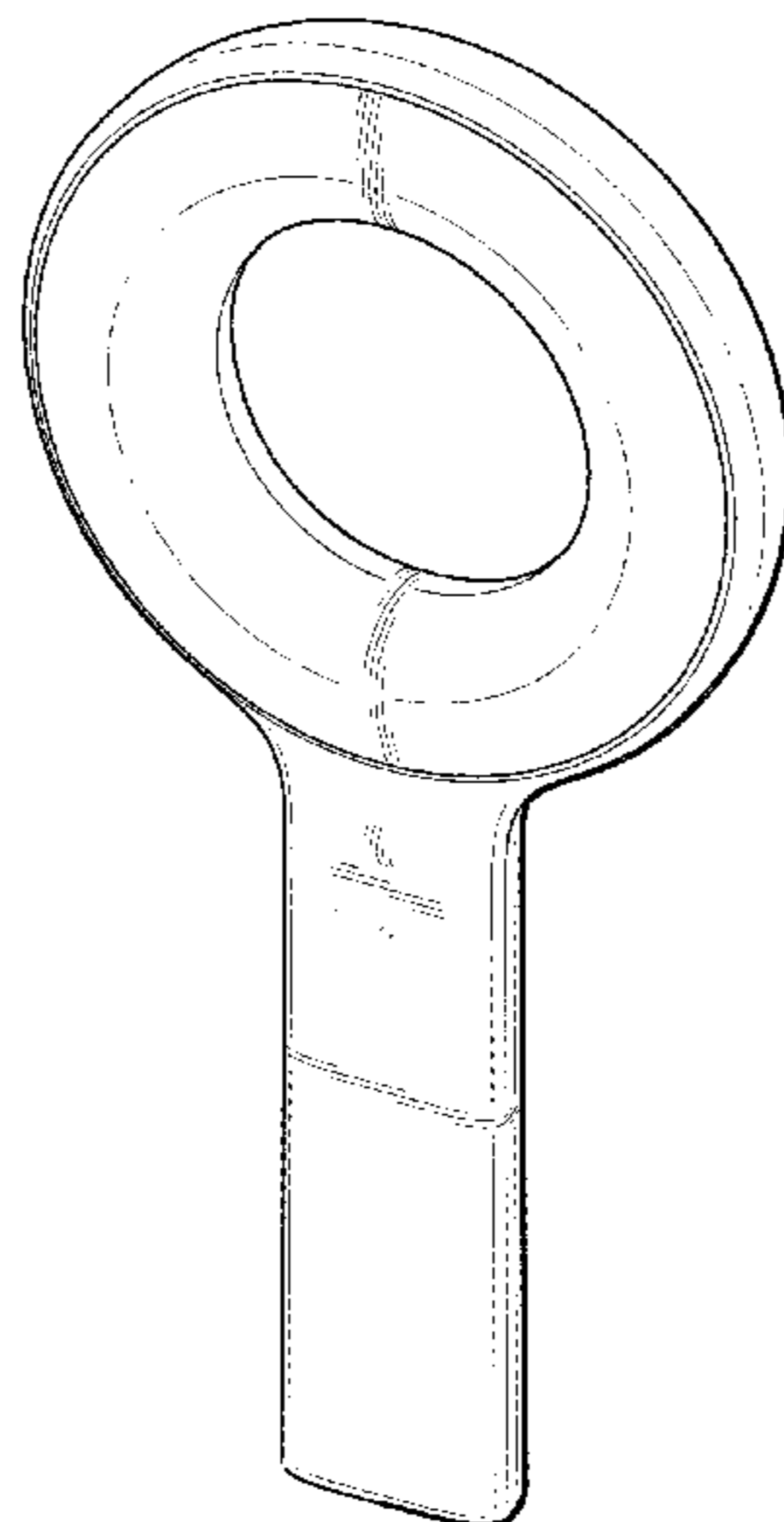
FIG. 3 is a front view of the shower wand.

FIG. 4 is a rear view of the shower wand.

FIG. 5 is a right-side view of the shower wand; and,

FIG. 6 is an upper-right-front perspective view of the shower wand.

1 Claim, 3 Drawing Sheets



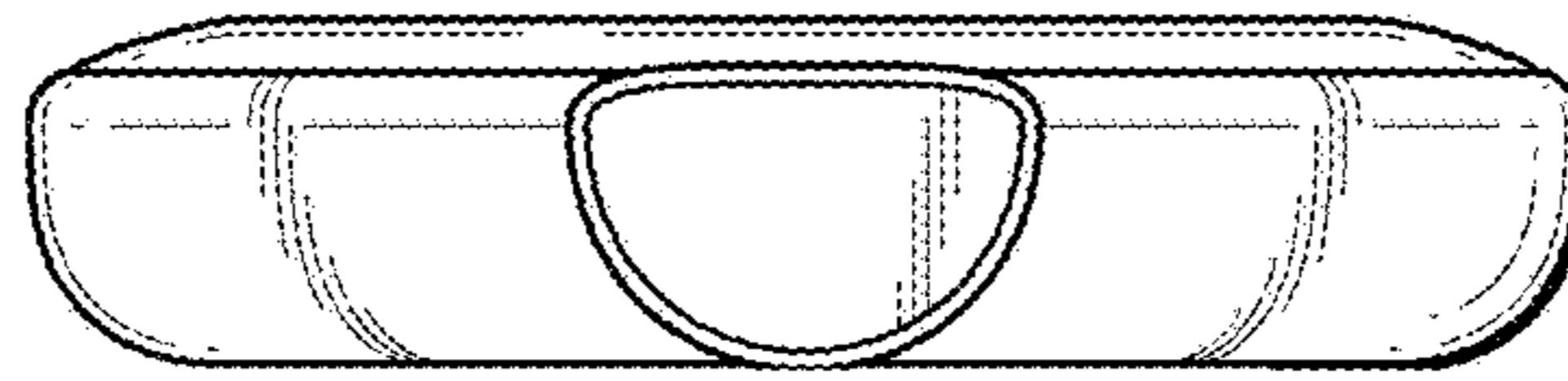


FIG. 1

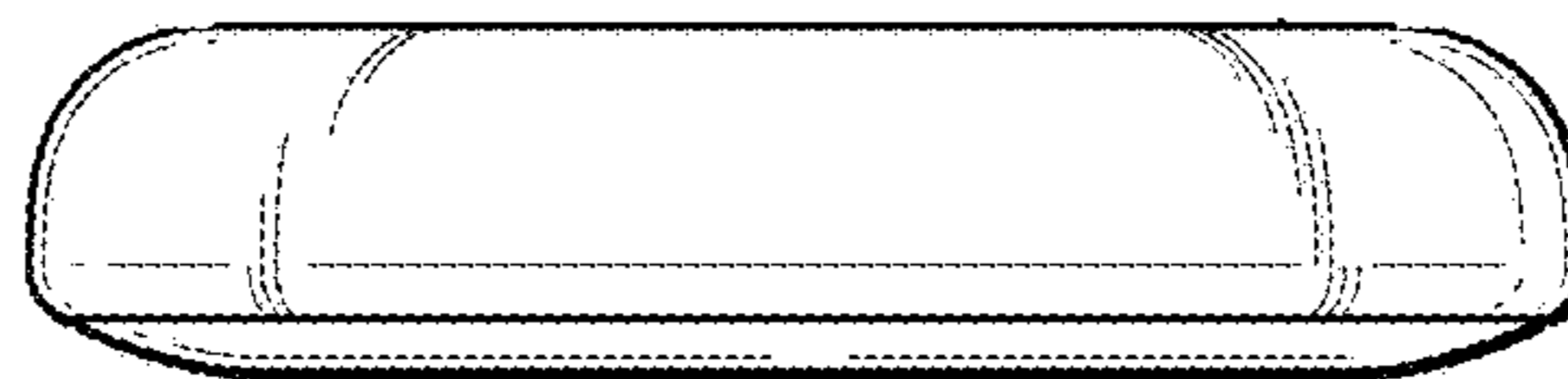


FIG. 2

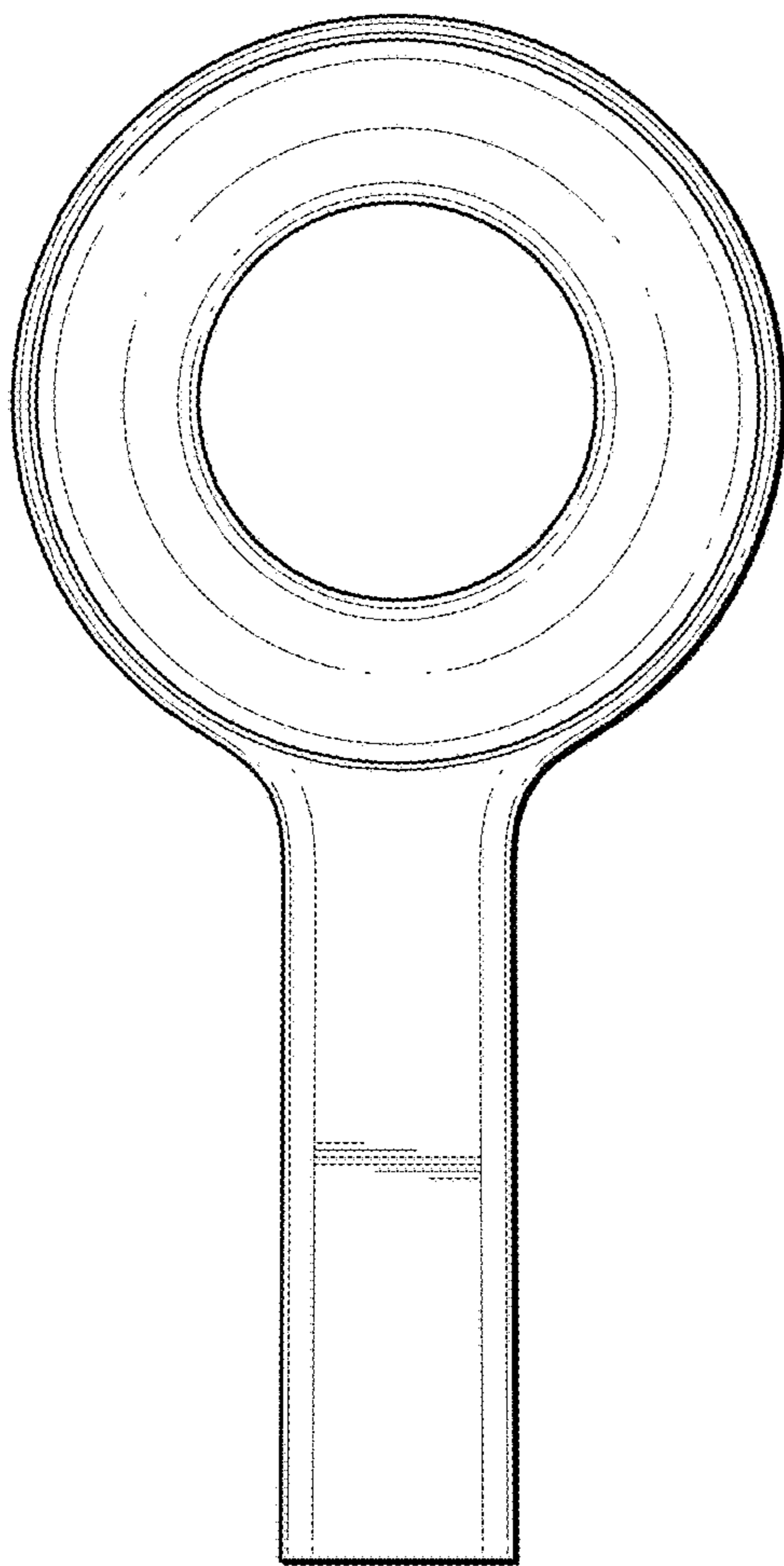


FIG. 3

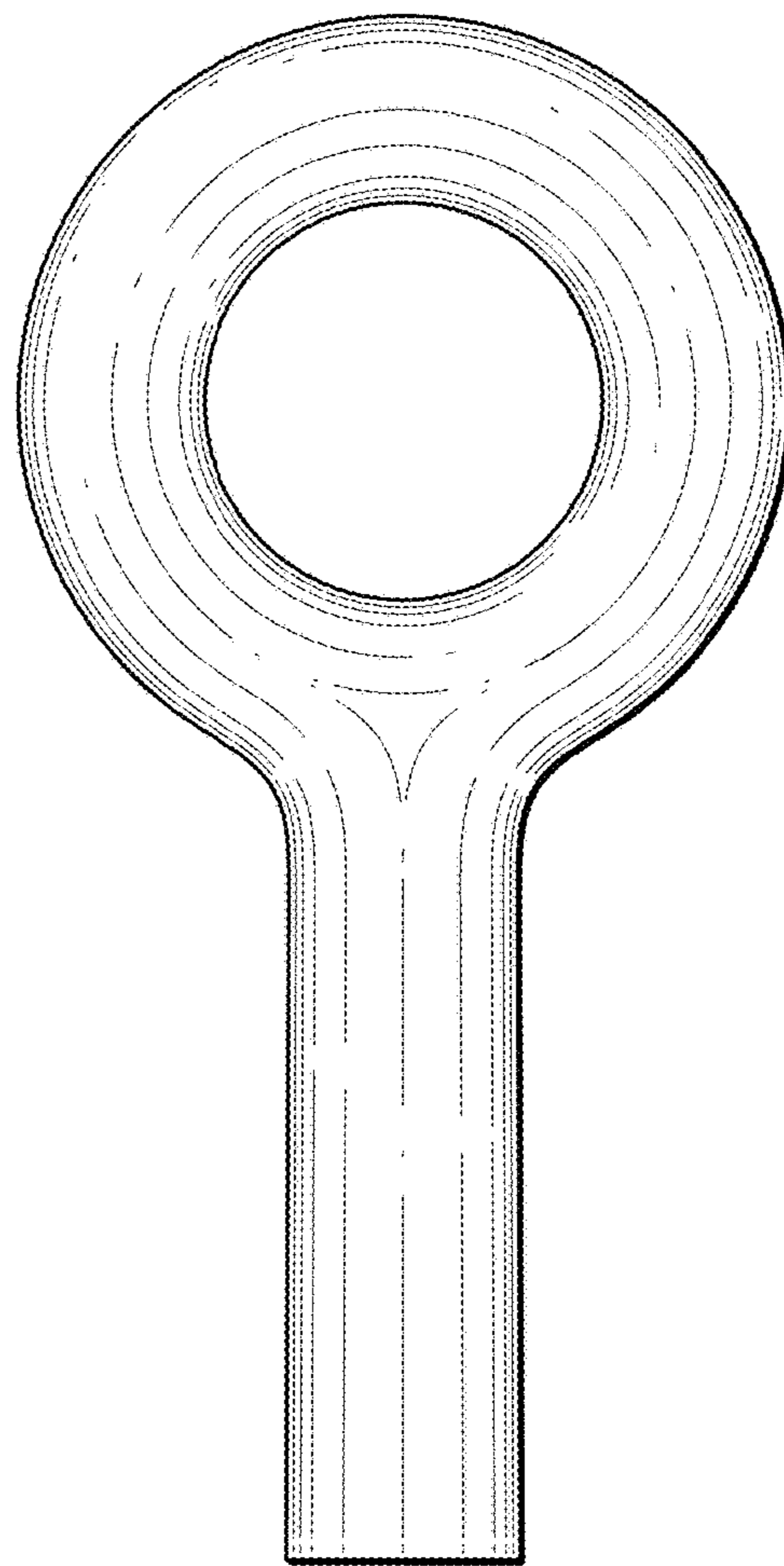


FIG. 4

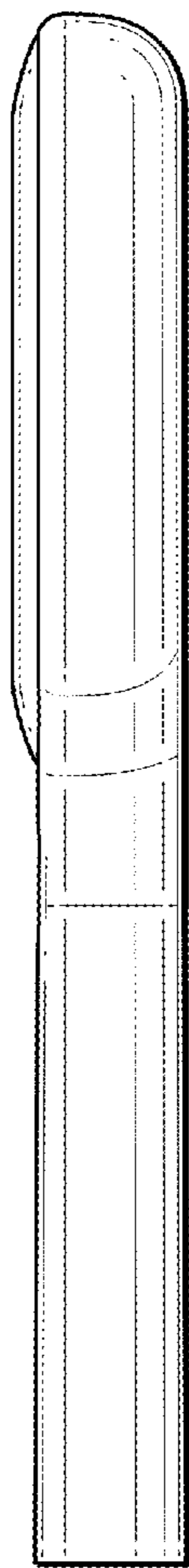


FIG. 5

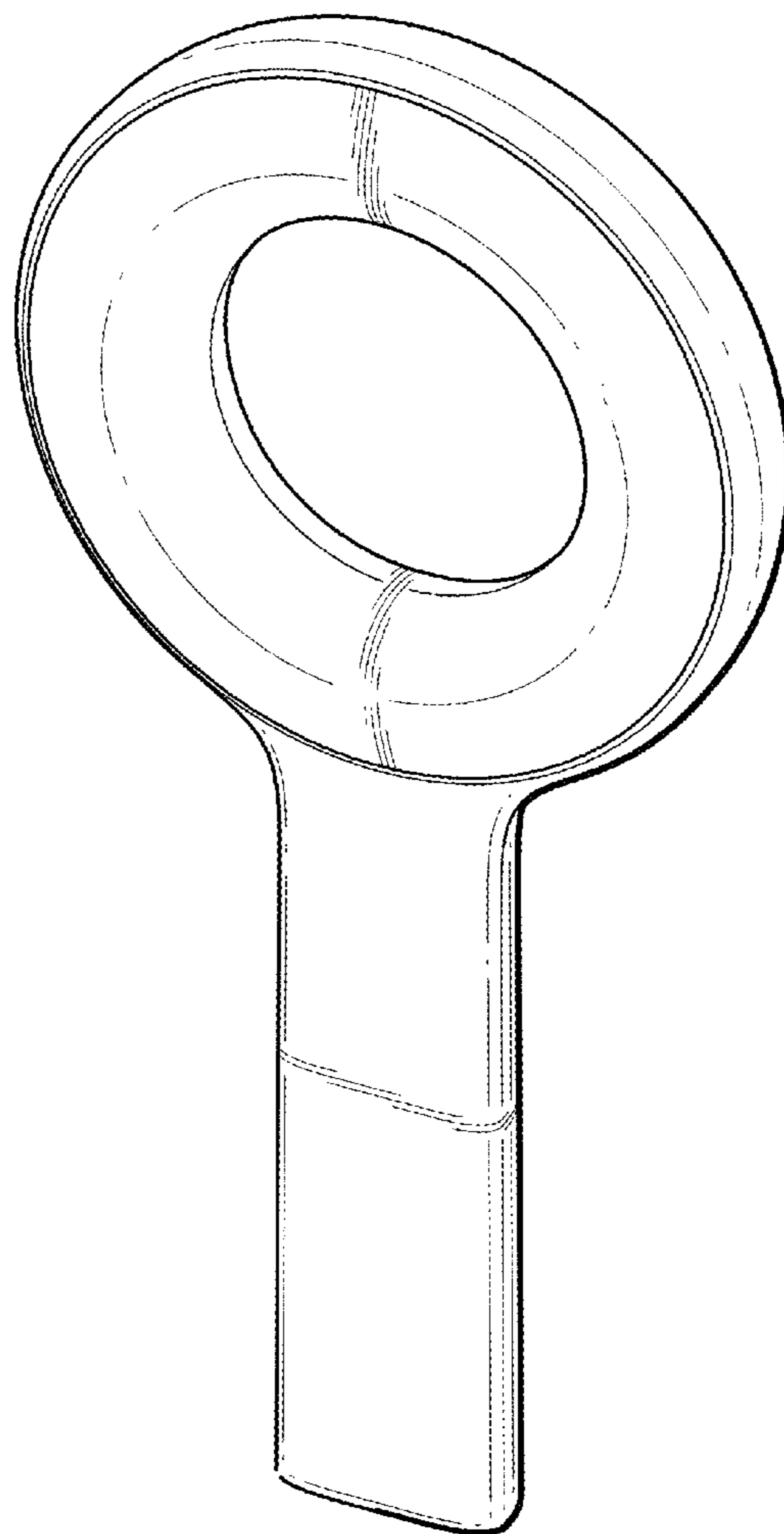


FIG. 6