



US00D855758S

(12) **United States Design Patent** (10) **Patent No.:** **US D855,758 S**  
**Chen** (45) **Date of Patent:** **\*\* Aug. 6, 2019**

(54) **SPRAY HEAD**

(71) Applicant: **SHIN TAI SPURT WATER OF THE GARDEN TOOLS CO., LTD.,**  
Lu-Kang Town, Chang-Hua Hsien (TW)

(72) Inventor: **Chin-Yuan Chen,** Chang-Hua Hsien (TW)

(73) Assignee: **SHIN TAI SPURT WATER OF THE GARDEN TOOLS CO., LTD.,**  
Chang-Hua Hsien (TW)

(\*\*) Term: **15 Years**

(21) Appl. No.: **29/625,512**

(22) Filed: **Nov. 9, 2017**

(51) **LOC (12) Cl.** ..... **23-01**

(52) **U.S. Cl.**  
USPC ..... **D23/223**

(58) **Field of Classification Search**  
USPC ..... D23/213, 223, 226  
CPC ..... A01M 7/0046; B05B 9/01; B05B 1/30;  
B05B 7/08; B05B 5/1691; B05B 5/043;  
B05B 5/025; B05B 1/005; B05B 7/083  
See application file for complete search history.

(56) **References Cited**

U.S. PATENT DOCUMENTS

D515,662 S *	2/2006	Chen	.....	D23/223
D767,093 S *	9/2016	Chen	.....	D23/223
D820,953 S *	6/2018	Chen	.....	D23/223
D824,486 S *	7/2018	Urry	.....	D23/223

\* cited by examiner

*Primary Examiner* — Robin V Webster

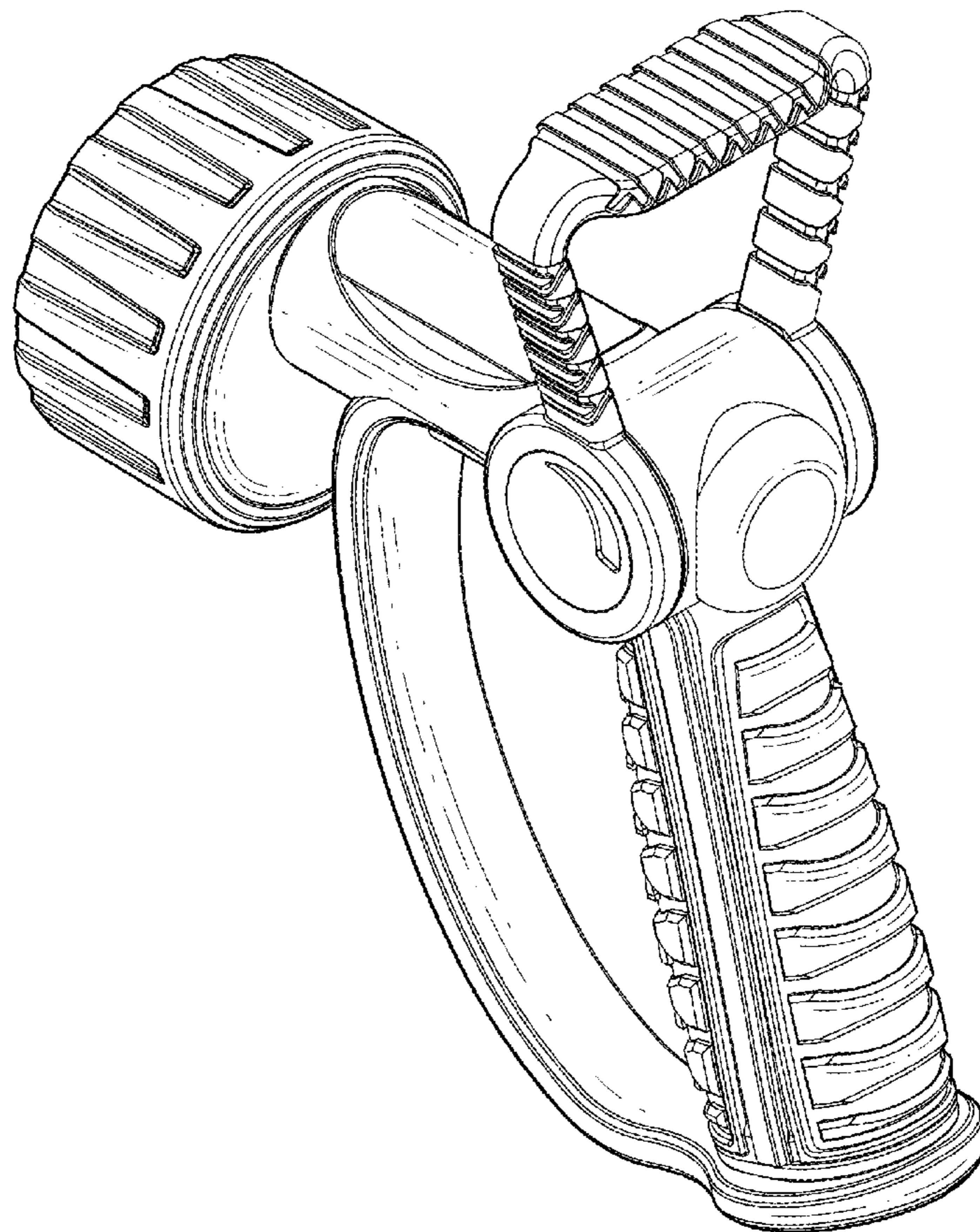
(57) **CLAIM**

The ornamental design for a spray head, as shown and described.

**DESCRIPTION**

FIG. 1 is a perspective view of a spray head showing my new design;  
FIG. 2 is a front elevational view thereof;  
FIG. 3 is a rear elevational view thereof;  
FIG. 4 is a left side elevational view thereof;  
FIG. 5 is a right side elevational view thereof;  
FIG. 6 is a top plan view thereof; and,  
FIG. 7 is a bottom plan view thereof.

**1 Claim, 5 Drawing Sheets**



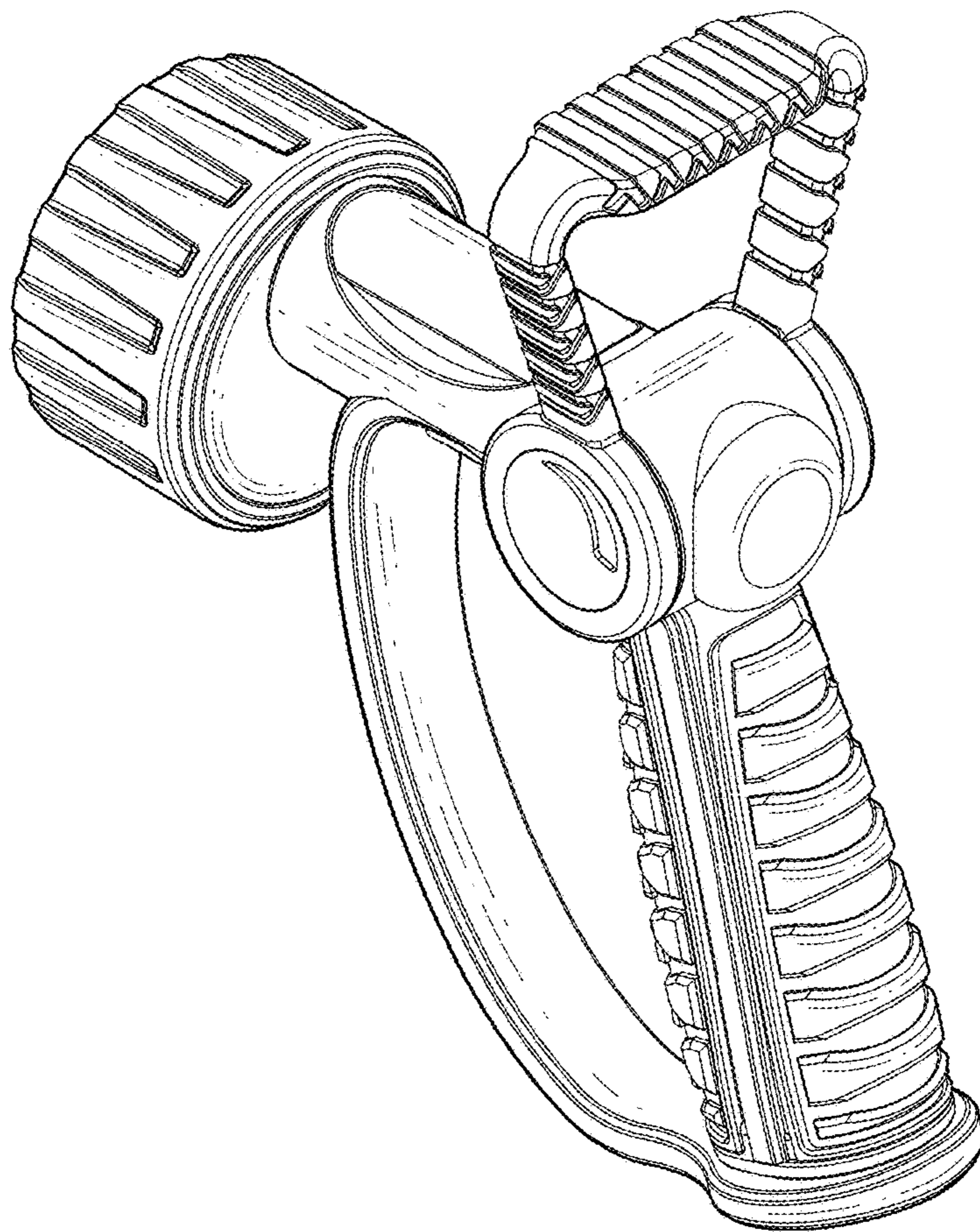


FIG. 1

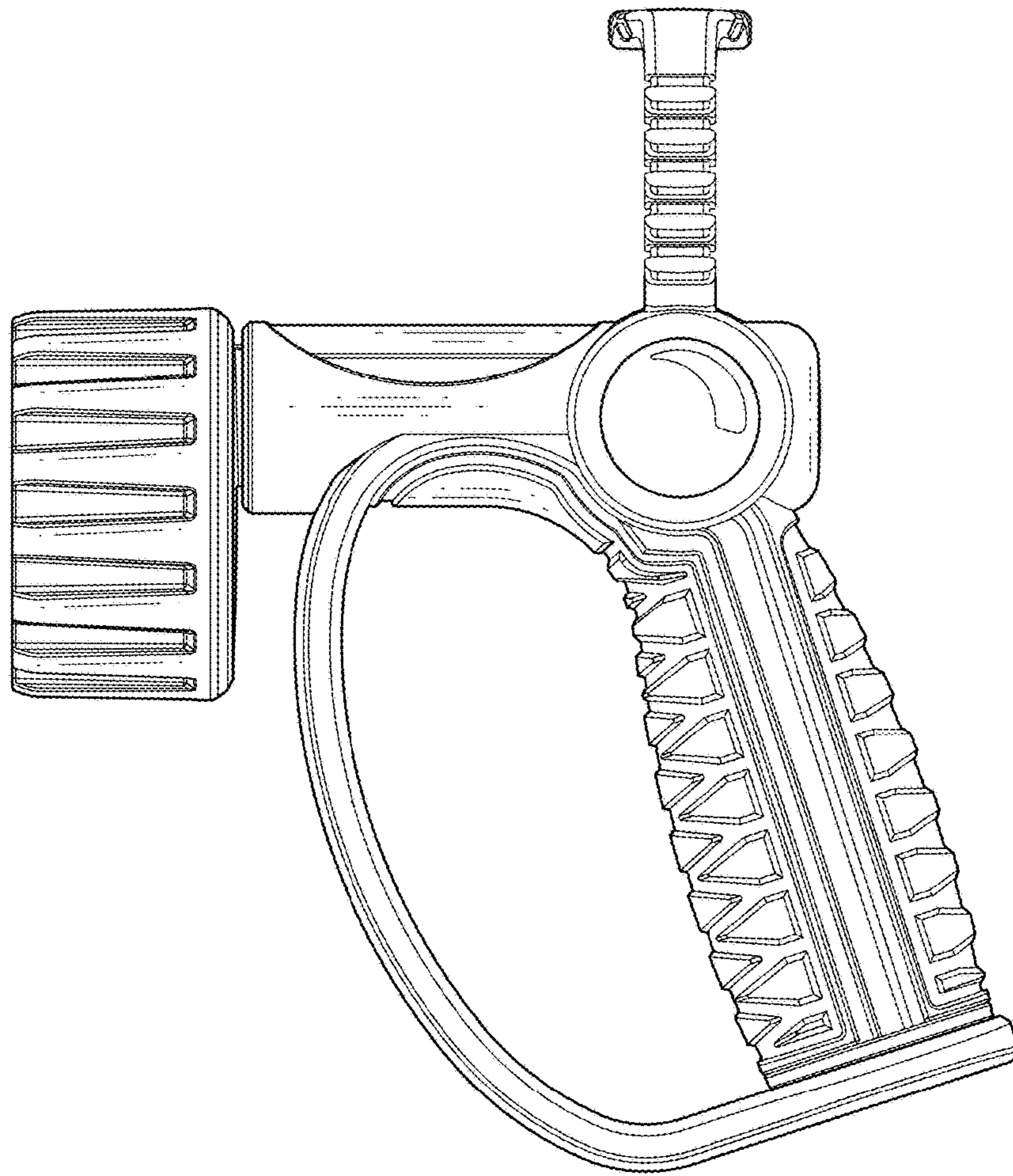


FIG. 2

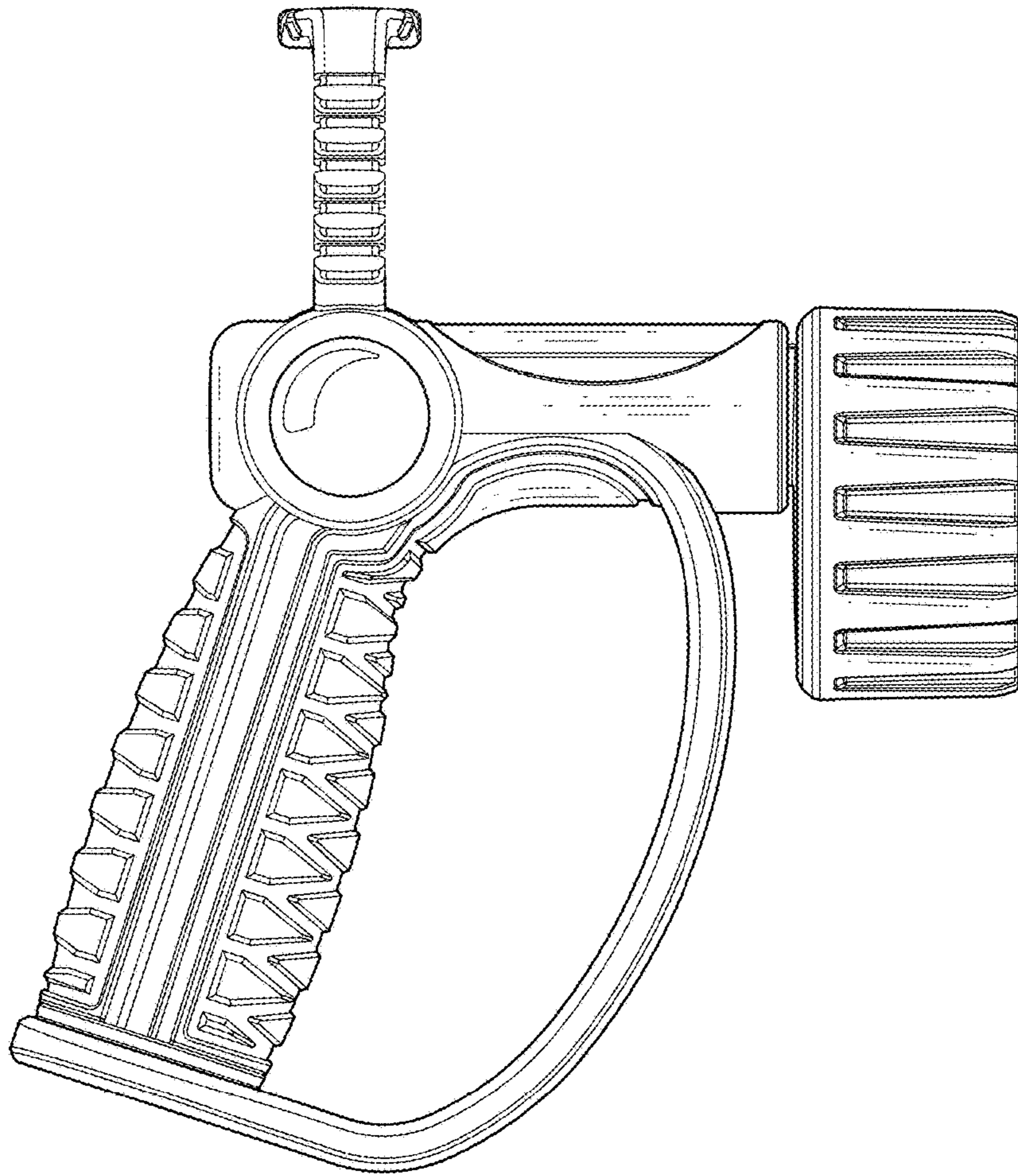


FIG. 3

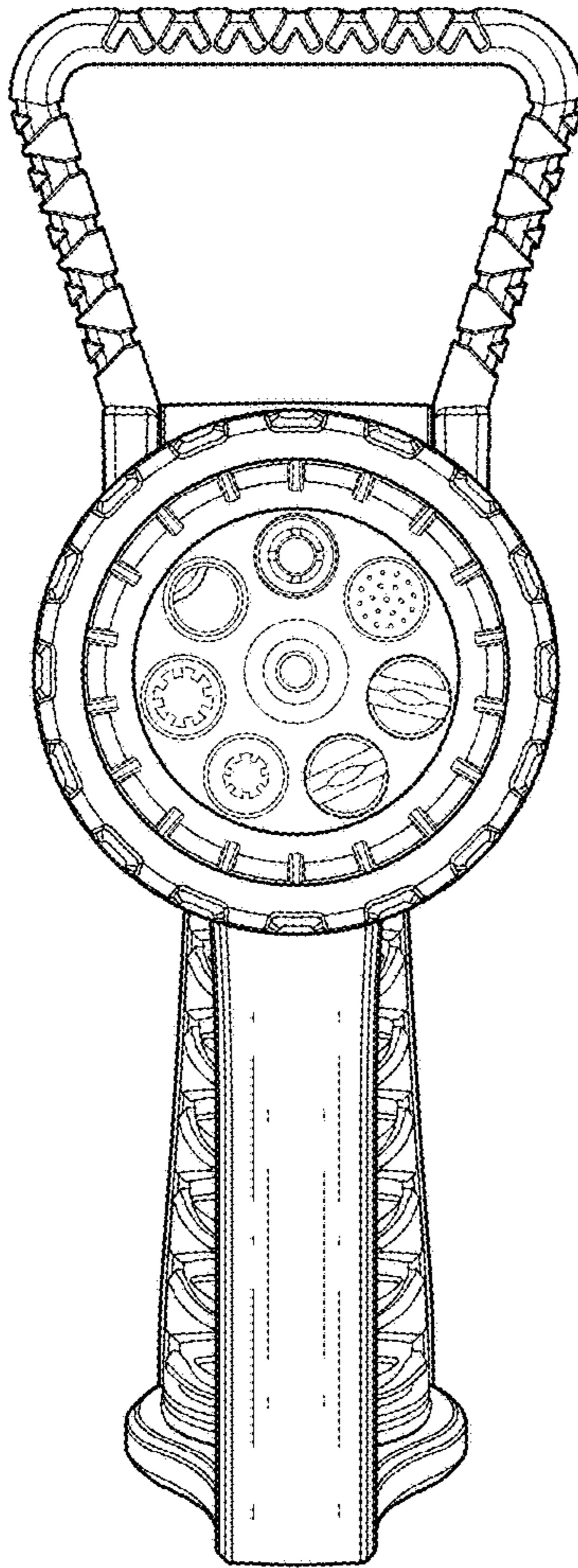


FIG. 4

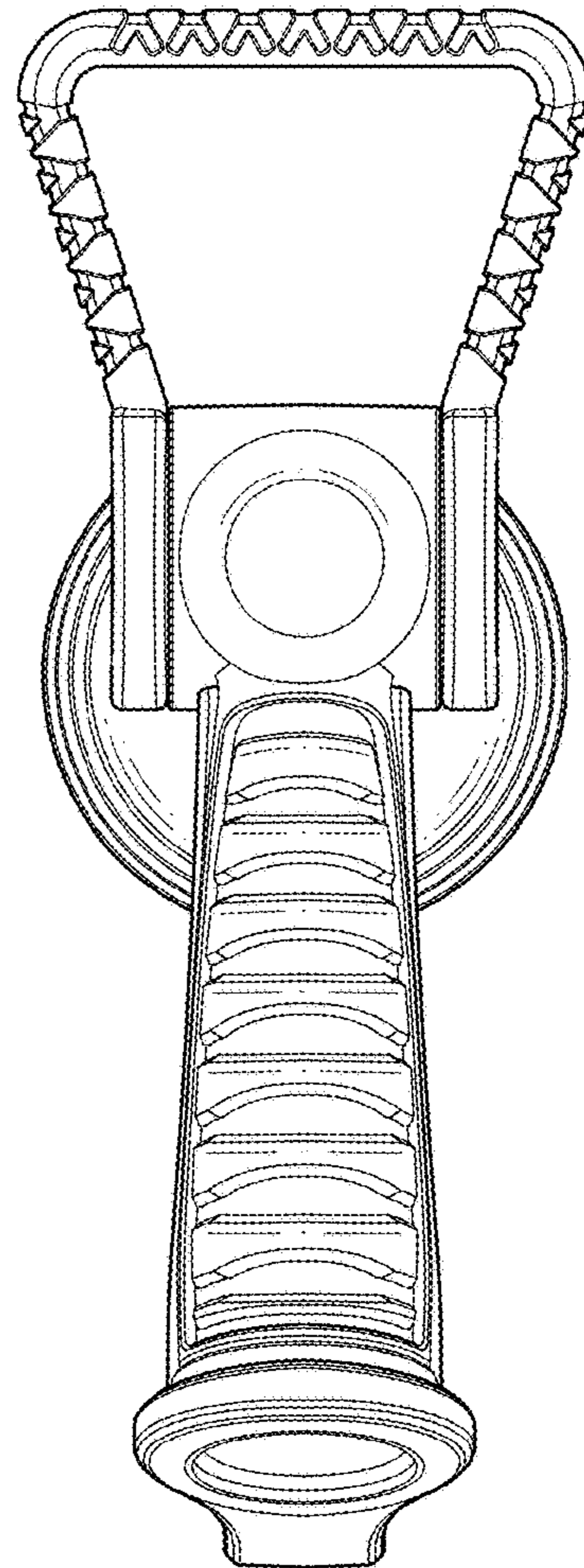


FIG. 5

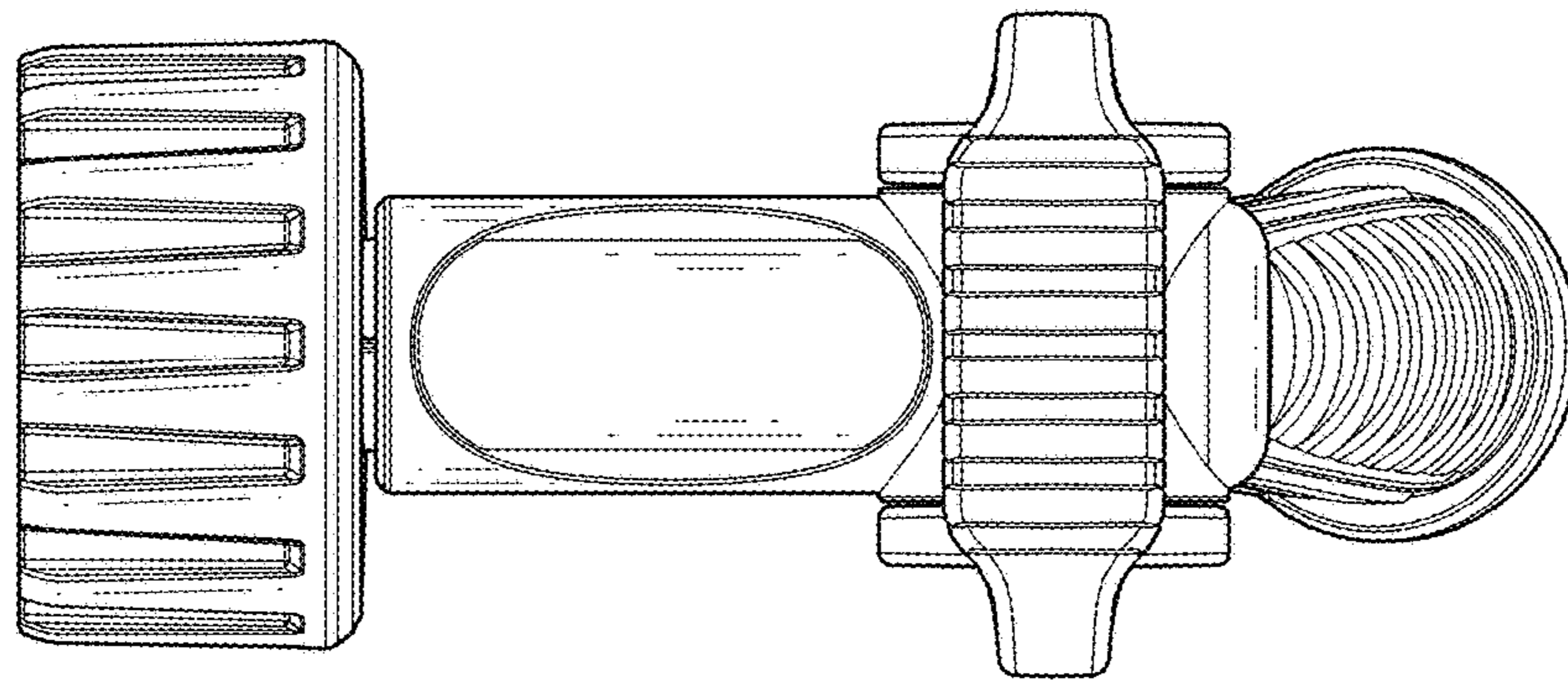


FIG. 6

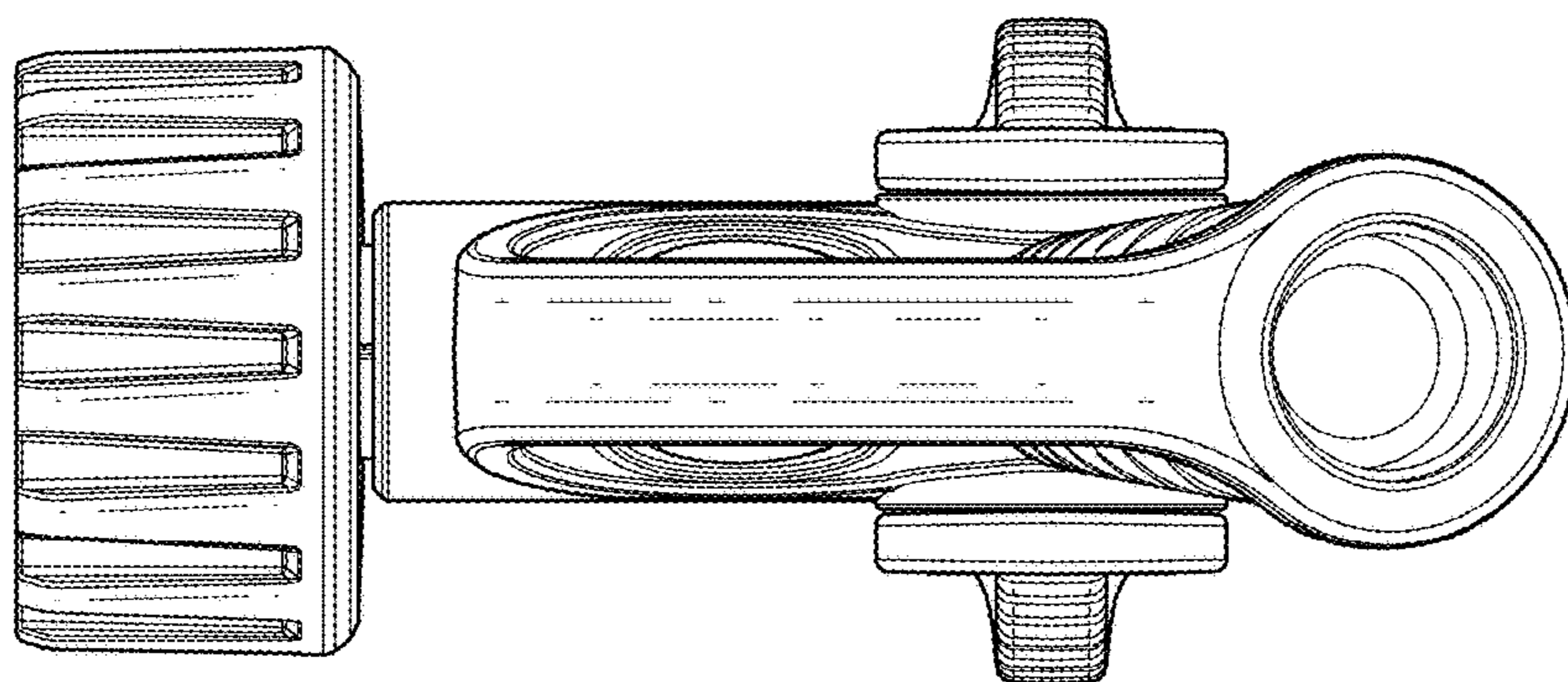


FIG. 7