



US00D855757S

(12) **United States Design Patent** (10) **Patent No.:** **US D855,757 S**
Cacka et al. (45) **Date of Patent:** **** Aug. 6, 2019**

(54) **SHOWERHEAD NOZZLE**
(71) Applicant: **WATER PIK, INC.**, Fort Collins, CO (US)
(72) Inventors: **Joseph W. Cacka**, Berthoud, CO (US); **Leland C. Leber**, Fort Collins, CO (US); **Michael J. Quinn**, Windsor, CO (US)

5,476,225 A 12/1995 Chan
5,690,282 A 11/1997 Guo
D432,627 S 10/2000 Tse
D525,341 S 7/2006 Bossini
D530,391 S 10/2006 Tse
D557,764 S 12/2007 Schonherr et al.
D564,621 S 3/2008 Lammel et al.
D581,014 S 11/2008 Quinn et al.
D652,106 S 1/2012 Yoo

(Continued)

(73) Assignee: **WATER PIK, INC.**, Fort Collins, CO (US)

FOREIGN PATENT DOCUMENTS

(**) Term: **15 Years**

CN 101628263 A 1/2010
CN 101773880 A 7/2010

(21) Appl. No.: **29/679,130**

Primary Examiner — Robin V Webster

(22) Filed: **Feb. 1, 2019**

(74) *Attorney, Agent, or Firm* — Dorsey & Whitney LLP

Related U.S. Application Data

(60) Continuation of application No. 29/662,928, filed on Sep. 10, 2018, now Pat. No. Des. 842,431, which is a continuation of application No. 15/208,158, filed on Jul. 12, 2016, which is a division of application No. 14/394,495, filed on Jun. 13, 2014, now Pat. No. 9,404,243.

(51) **LOC (12) Cl.** **23-01**

(52) **U.S. Cl.**
USPC **D23/213**

(58) **Field of Classification Search**
USPC D23/213, 223, 226, 229, 230
CPC A61H 9/0021; A61H 33/00; B05B 1/00; B05B 1/14; B05B 1/185; B05B 1/08; B05B 1/02; B05B 1/26; B05B 12/002; B05B 1/18
See application file for complete search history.

(56) **References Cited**

U.S. PATENT DOCUMENTS

4,190,207 A 2/1980 Fienhold et al.
D268,359 S 3/1983 Klose

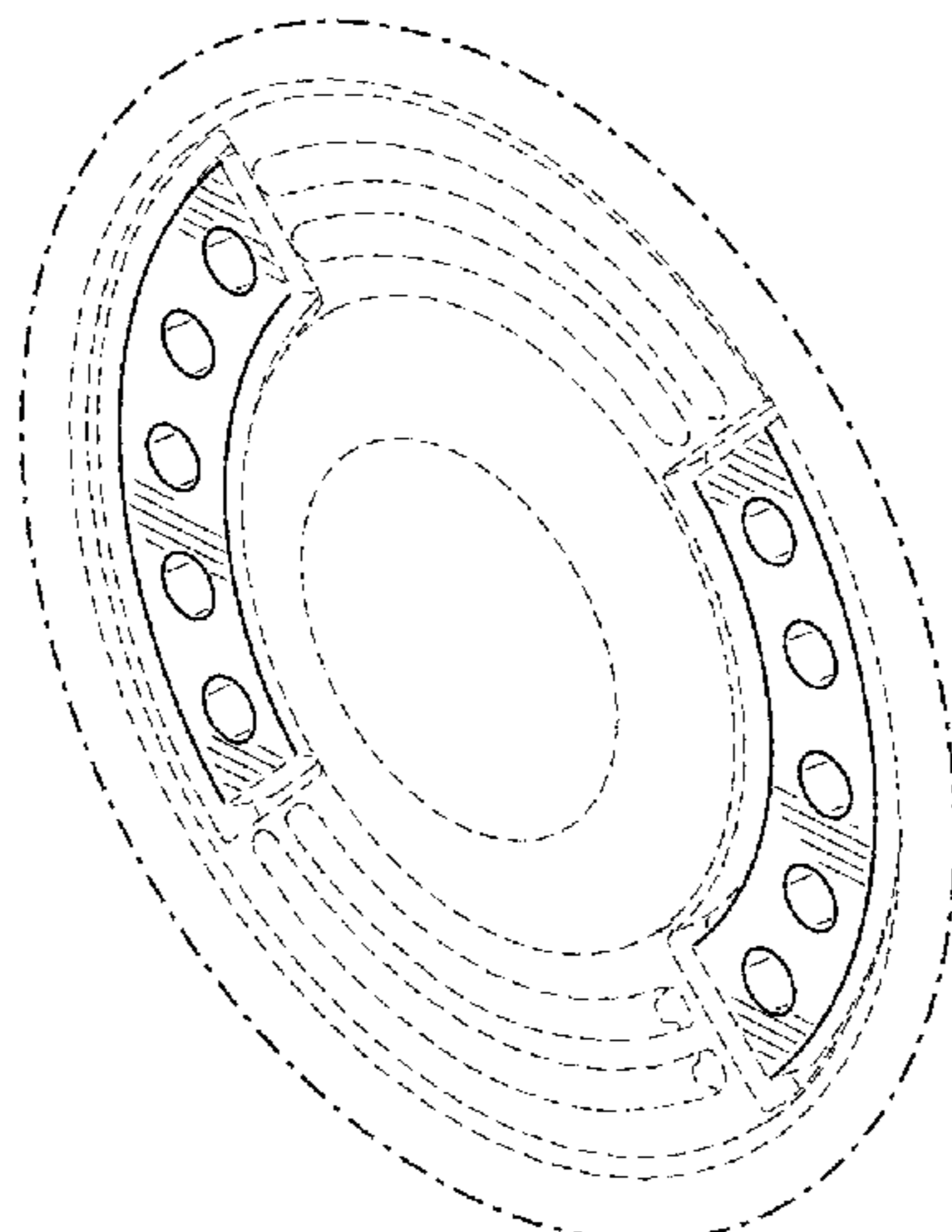
(57) **CLAIM**

We claim the ornamental design for a showerhead nozzle, as shown and described.

DESCRIPTION

FIG. 1 is a left, front isometric view of a showerhead nozzle. FIG. 2 is a right, front isometric view thereof. FIG. 3 is a front elevation view thereof. FIG. 4 is a rear elevation view thereof. FIG. 5 is a left side elevation view thereof. FIG. 6 is a right side elevation view thereof. FIG. 7 is a top plan view thereof. FIG. 8 is a bottom plan view thereof. FIG. 9 is an enlarged fragmentary view thereof taken along detail line 9-9 of FIG. 2; and, FIG. 10 is an enlarged fragmentary view thereof taken along detail line 10-10 of FIG. 3. The broken line showing of the showerhead illustrates environment and forms no part of the claimed design. All other broken lines illustrate portions of the showerhead nozzle that form no part of the claimed design.

1 Claim, 8 Drawing Sheets



(56)

References Cited

U.S. PATENT DOCUMENTS

D668,743	S	10/2012	Kennedy et al.	
D674,041	S *	1/2013	Hanus	D23/213
D674,042	S *	1/2013	Hanus	D23/213
D674,875	S *	1/2013	Spangler	D23/213
8,360,346	B2	1/2013	Furseth	
D680,619	S	4/2013	Zhadanov	
D681,776	S	5/2013	Cutler et al.	
D702,810	S *	4/2014	Stednitz	D23/213
D744,065	S	11/2015	Peterson et al.	
D744,611	S	12/2015	Quinn	
D744,612	S	12/2015	Peterson et al.	
D755,346	S	5/2016	Yan	
9,404,243	B2	8/2016	Cacka et al.	
D779,039	S	2/2017	Hanna et al.	
9,764,339	B2	9/2017	Yu	
D803,351	S	11/2017	Ladwig et al.	
D842,431	S *	3/2019	Cacka	D23/213
2014/0367482	A1	12/2014	Cacka et al.	
2015/0211728	A1	7/2015	Zhadanov et al.	
2017/0297039	A1	10/2017	Cacka et al.	

* cited by examiner

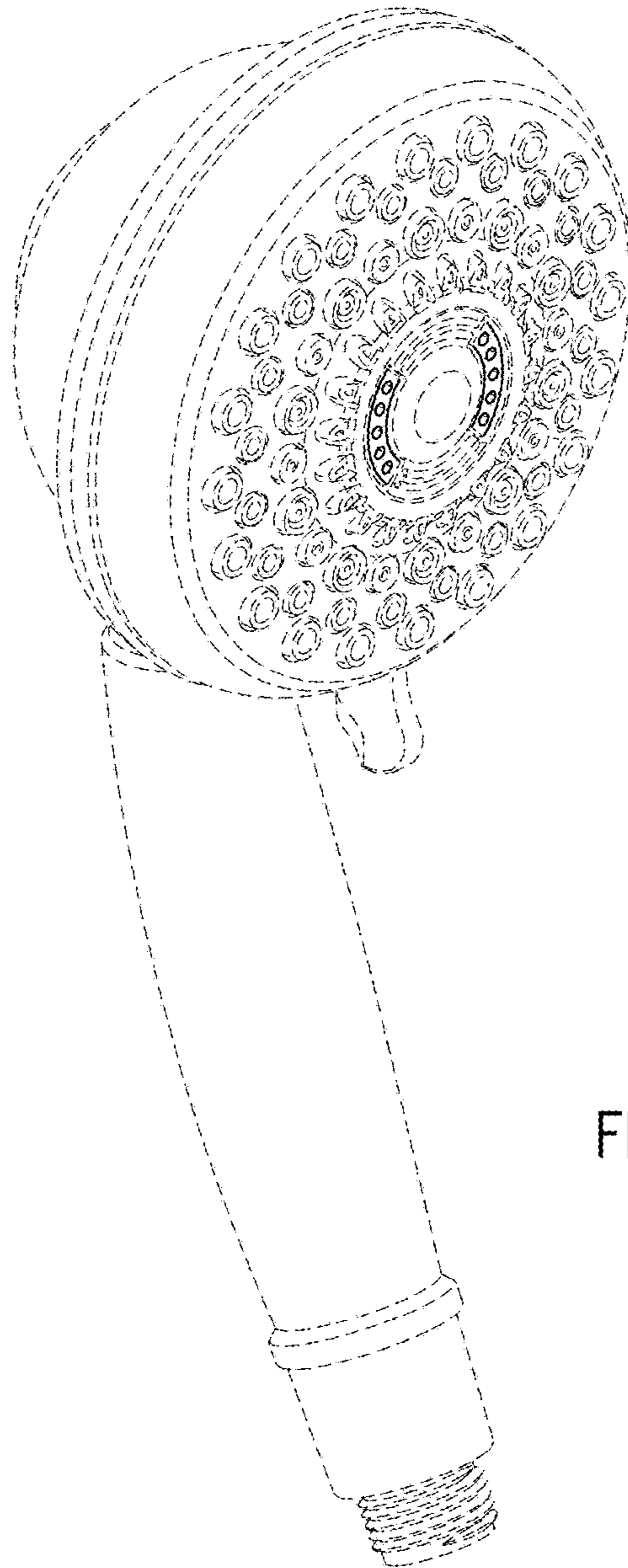


FIG. 1

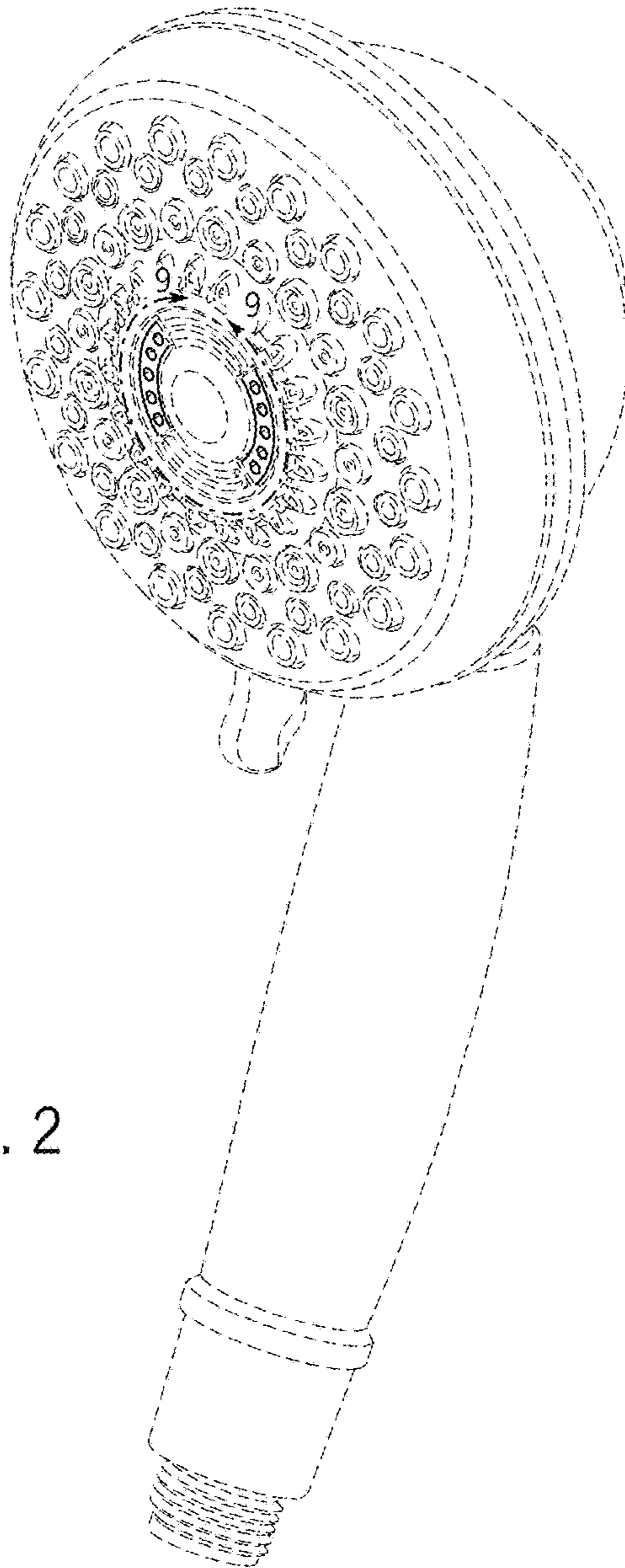


FIG. 2

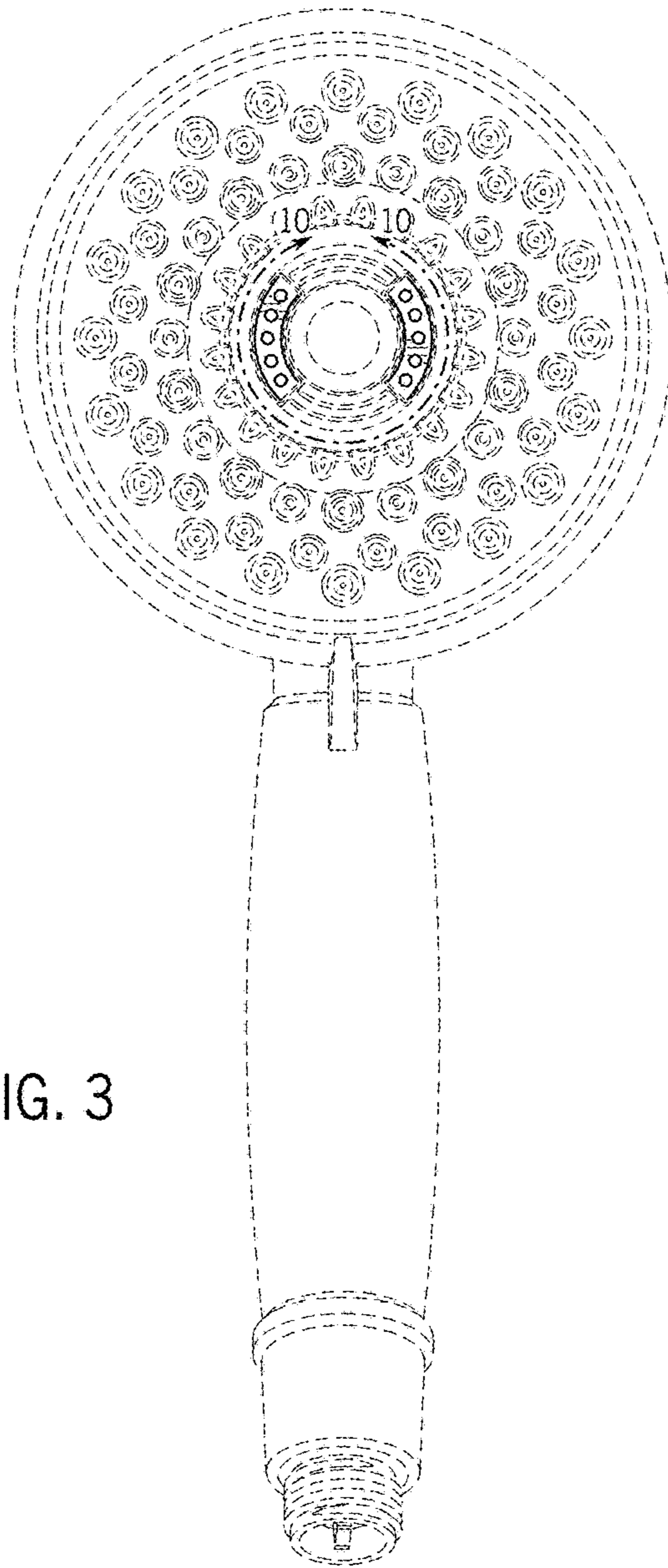


FIG. 3

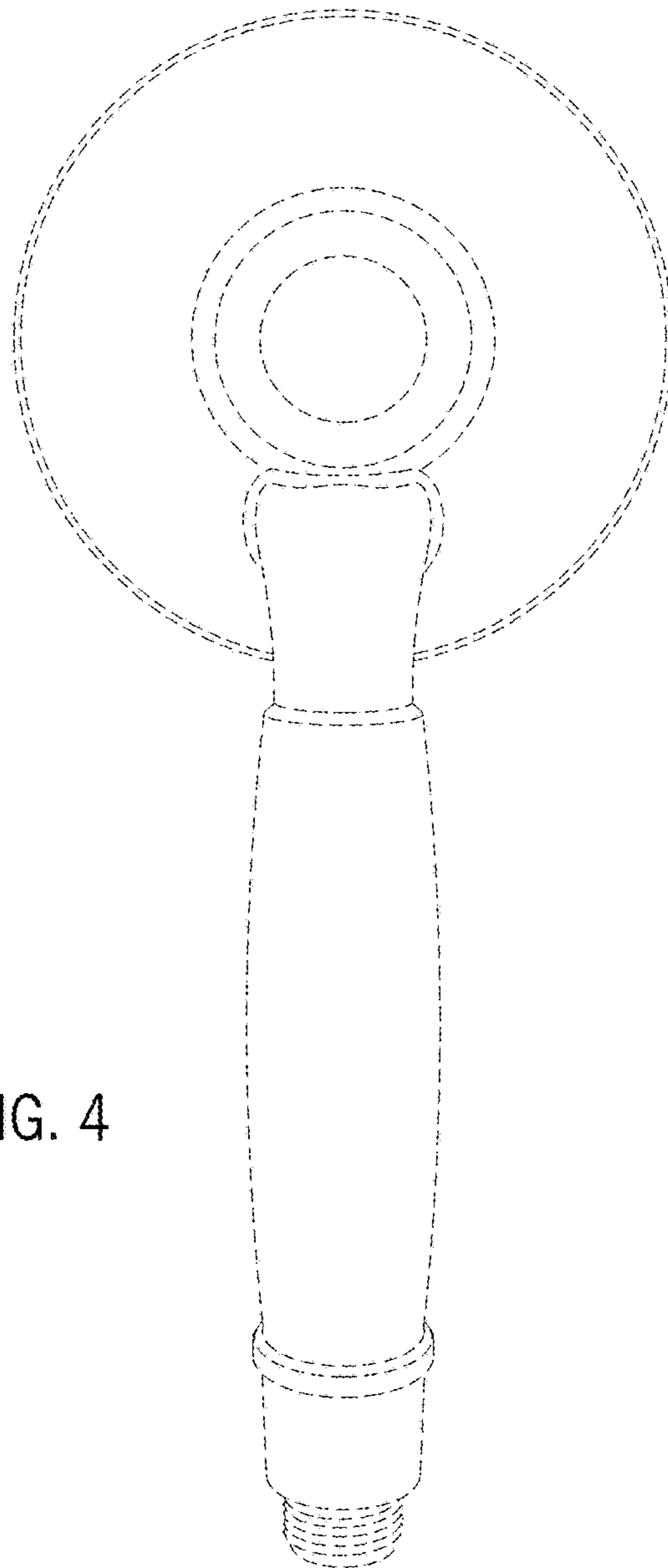
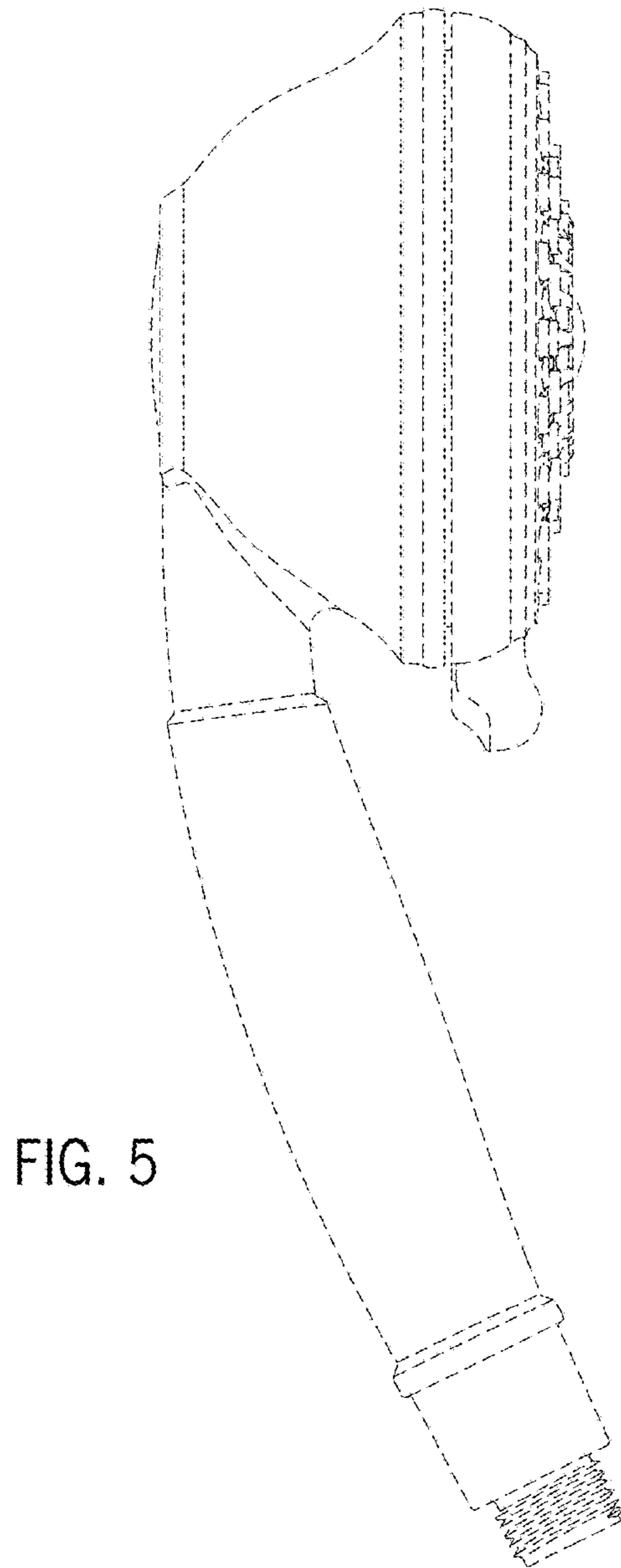


FIG. 4



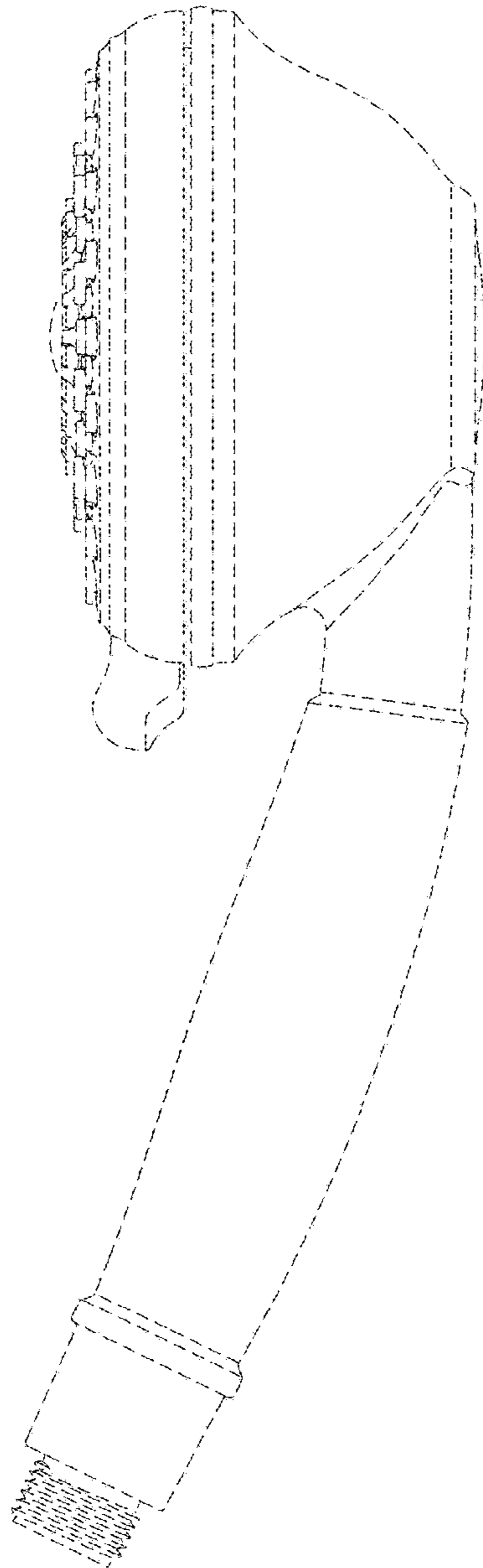


FIG. 6

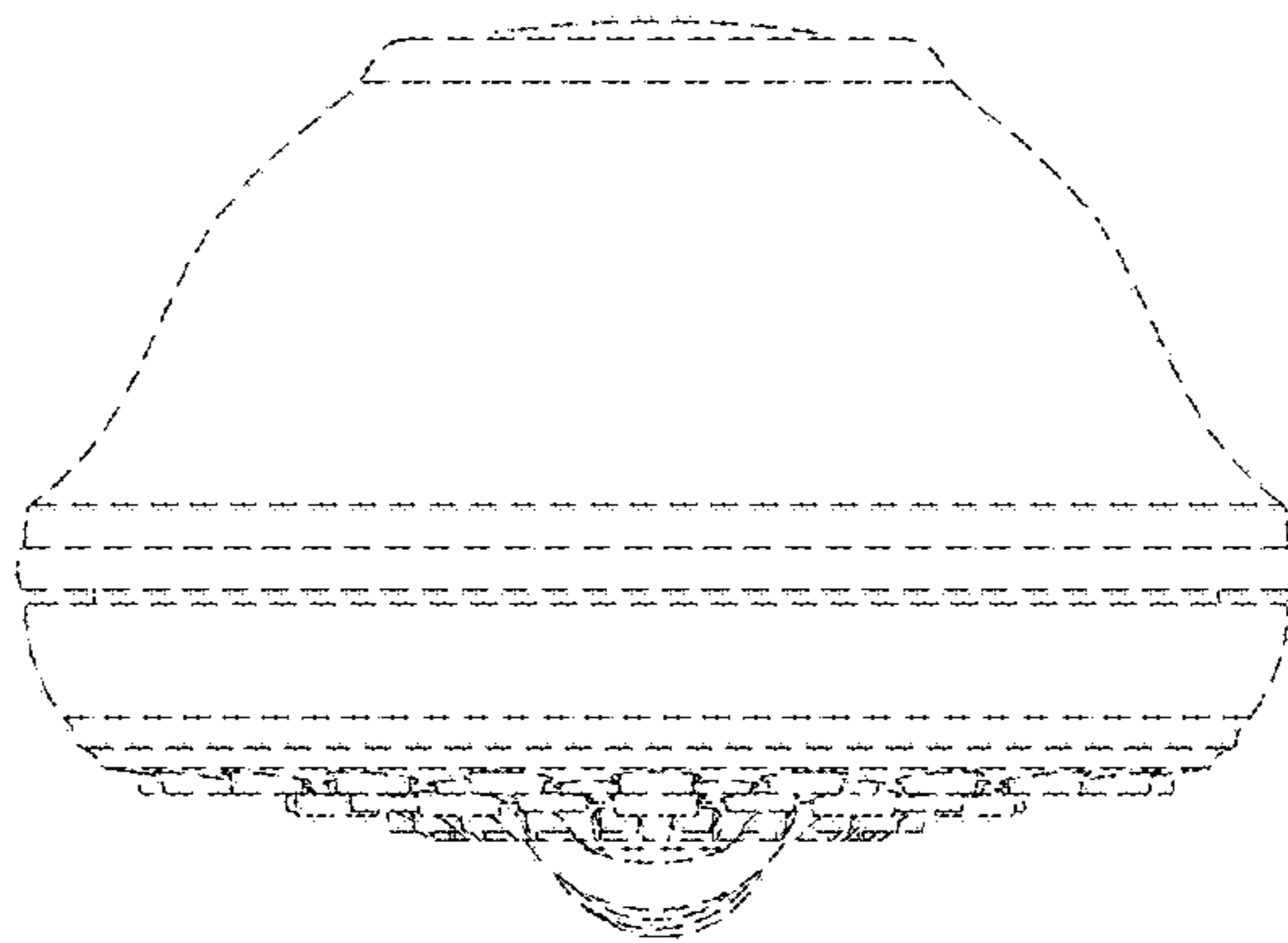


FIG. 7

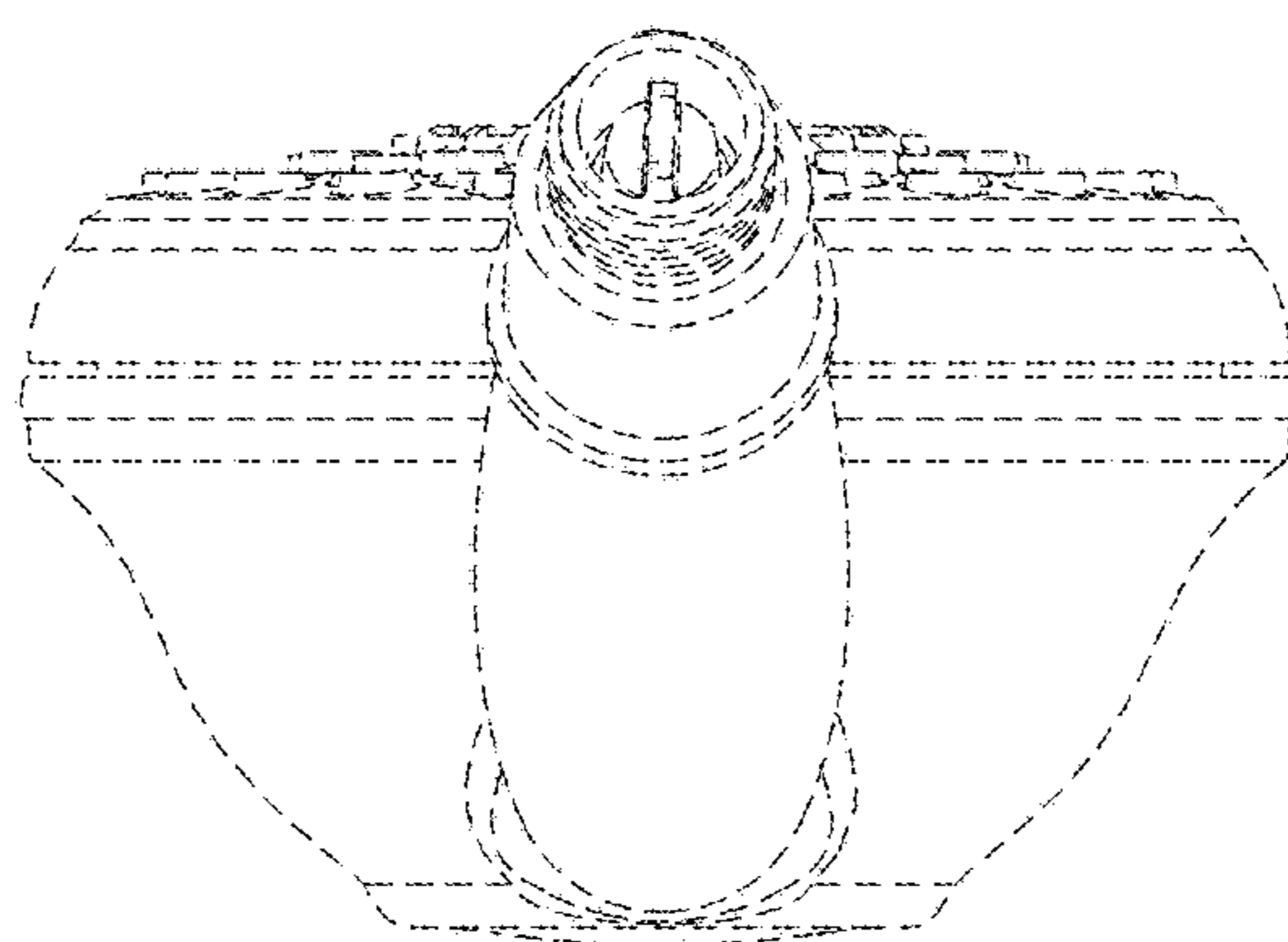


FIG. 8

FIG. 9

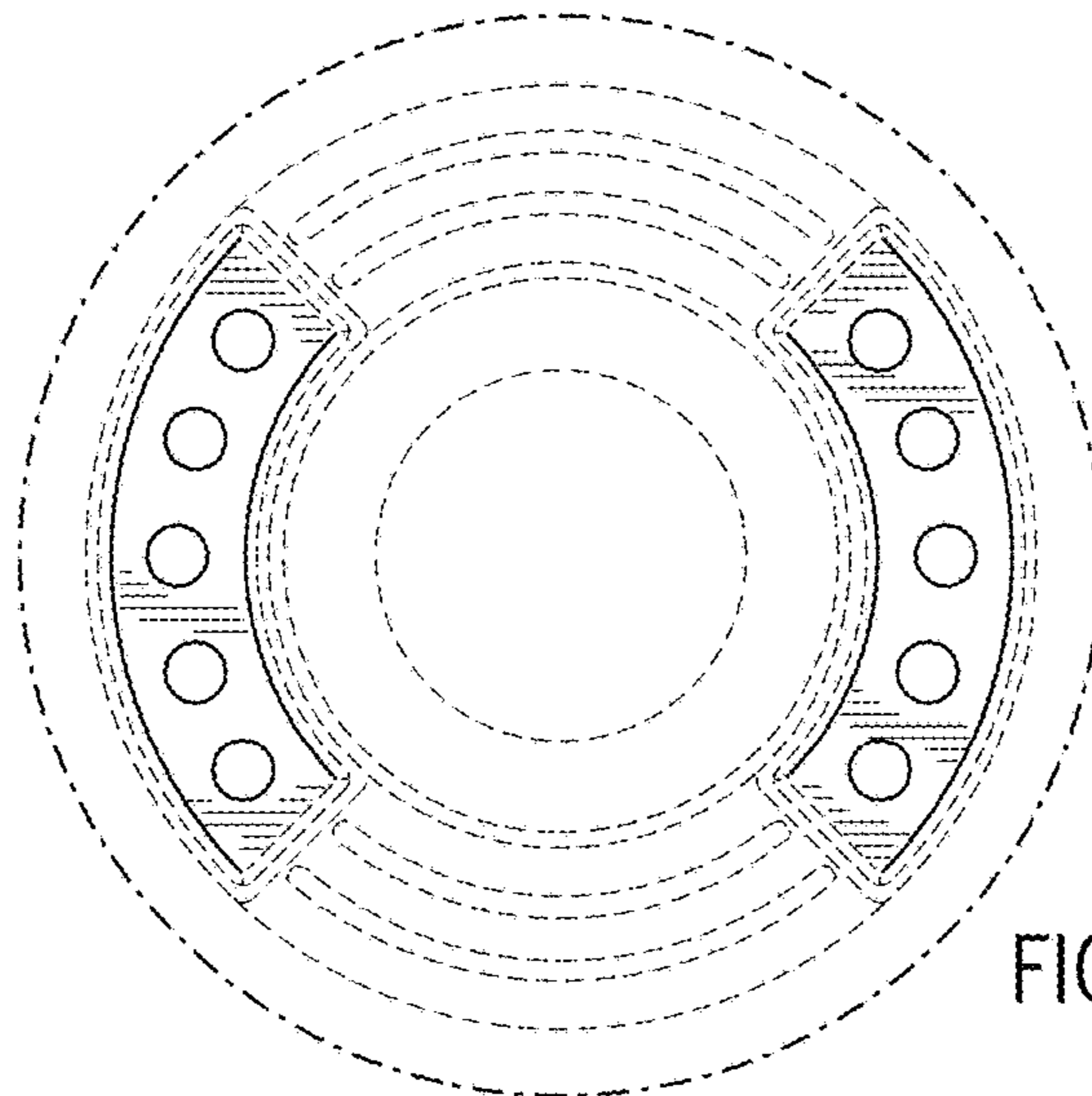
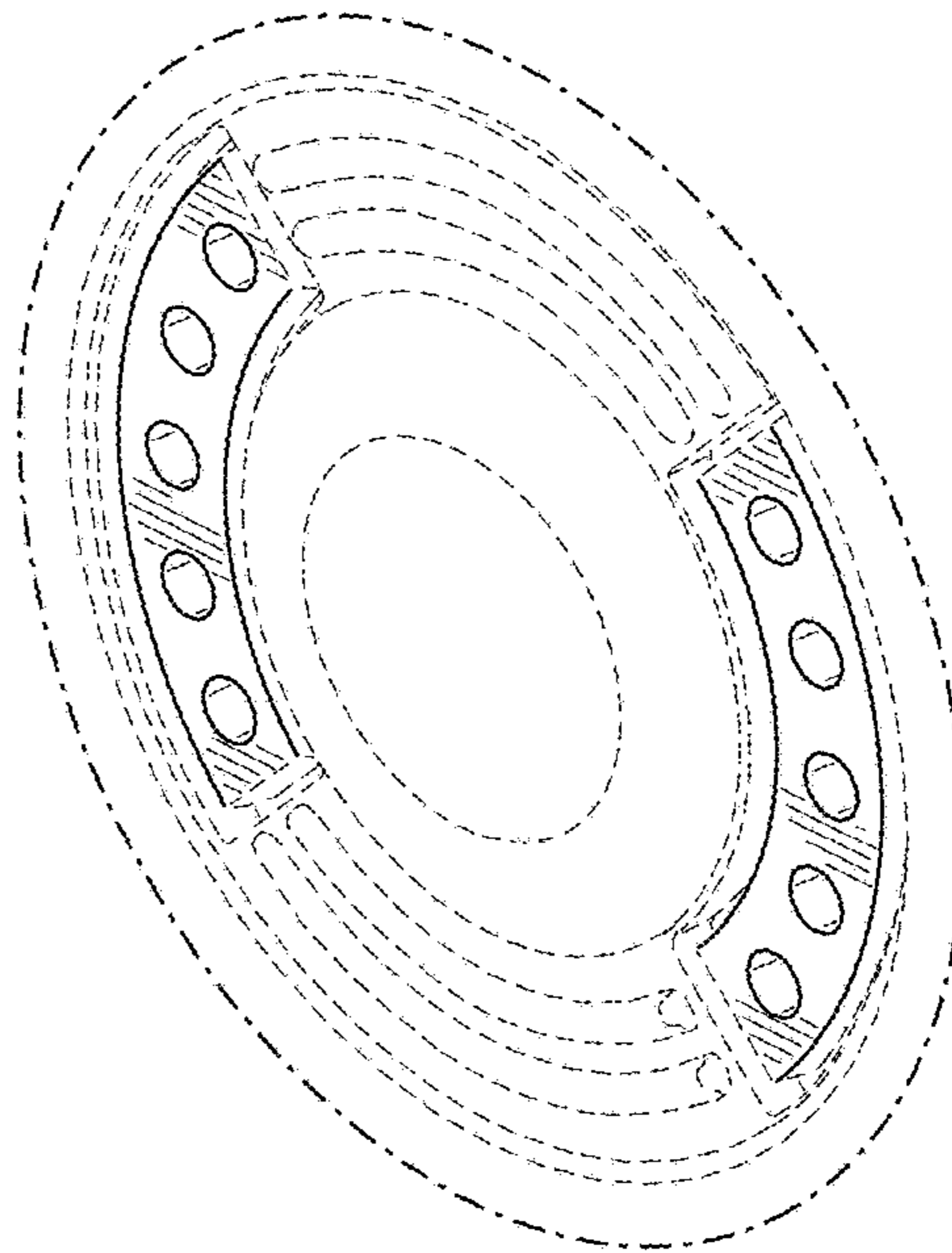


FIG. 10

UNITED STATES PATENT AND TRADEMARK OFFICE
CERTIFICATE OF CORRECTION

PATENT NO. : D855,757 S
APPLICATION NO. : 29/679130
DATED : August 6, 2019
INVENTOR(S) : Joseph W. Cacka et al.

Page 1 of 1

It is certified that error appears in the above-identified patent and that said Letters Patent is hereby corrected as shown below:

On the Title Page

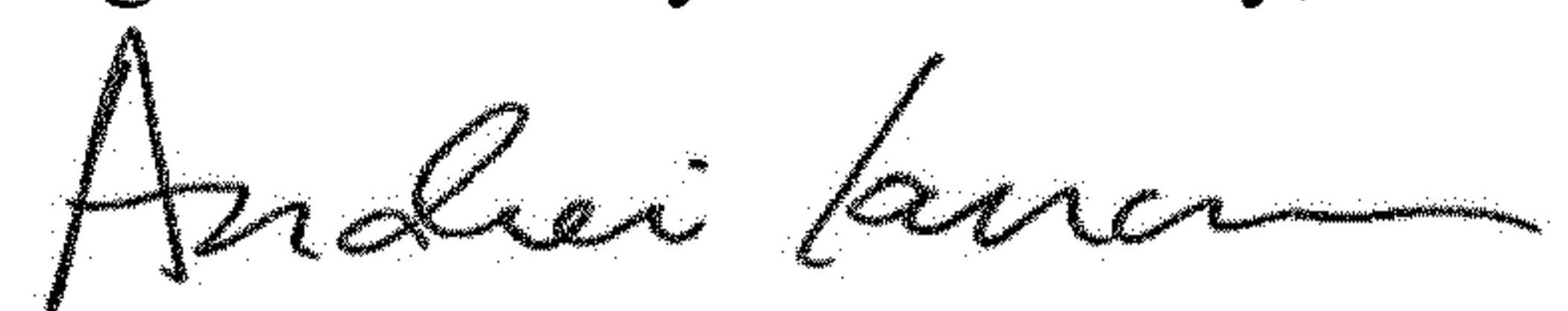
Item (60) for "Related U.S. Application Data" at Line 5:

"14/394,495"

Should read:

--14/304,495--

Signed and Sealed this
Eighteenth Day of February, 2020



Andrei Iancu
Director of the United States Patent and Trademark Office