



US00D855755S

(12) **United States Design Patent**  
**Coelho et al.**

(10) **Patent No.:** **US D855,755 S**  
(45) **Date of Patent:** **\*\* Aug. 6, 2019**

(54) **FILTER**

- (71) Applicant: **Master Spas, Inc.**, Fort Wayne, IN (US)
- (72) Inventors: **Nathan Coelho**, Leo, IN (US); **Michael Davenport**, Fort Wayne, IN (US)
- (73) Assignee: **Master Spas, Inc.**, Fort Wayne, IN (US)
- (\*\*) Term: **15 Years**
- (21) Appl. No.: **29/668,453**
- (22) Filed: **Oct. 30, 2018**

**Related U.S. Application Data**

- (62) Division of application No. 29/581,857, filed on Oct. 22, 2016, now Pat. No. Des. 835,233.
- (51) **LOC (12) Cl.** ..... **23-01**
- (52) **U.S. Cl.**  
USPC ..... **D23/209**
- (58) **Field of Classification Search**  
USPC ..... D23/209, 207; 210/440; 285/360–361  
CPC .... B01D 35/30; B01D 35/153; B01D 35/157;  
B01D 27/00; B01D 27/08  
See application file for complete search history.

(56) **References Cited**

**U.S. PATENT DOCUMENTS**

D181,664 S	12/1957	Muller et al.
3,347,386 A	10/1967	Kraissl, Jr.
3,348,689 A	10/1967	Kraissl, Jr.
D246,109 S	10/1977	Rosaen
D294,167 S	2/1988	Meissner
D305,199 S	12/1989	Jackson

(Continued)

**OTHER PUBLICATIONS**

Requirement for Restriction/Election dated Dec. 27, 2017 for U.S. Appl. No. 29/581,857.

(Continued)

*Primary Examiner* — Robin V Webster

*Assistant Examiner* — J. Thorn, Sr.

(74) *Attorney, Agent, or Firm* — Kaplan Breyer Schwarz, LLP

(57) **CLAIM**

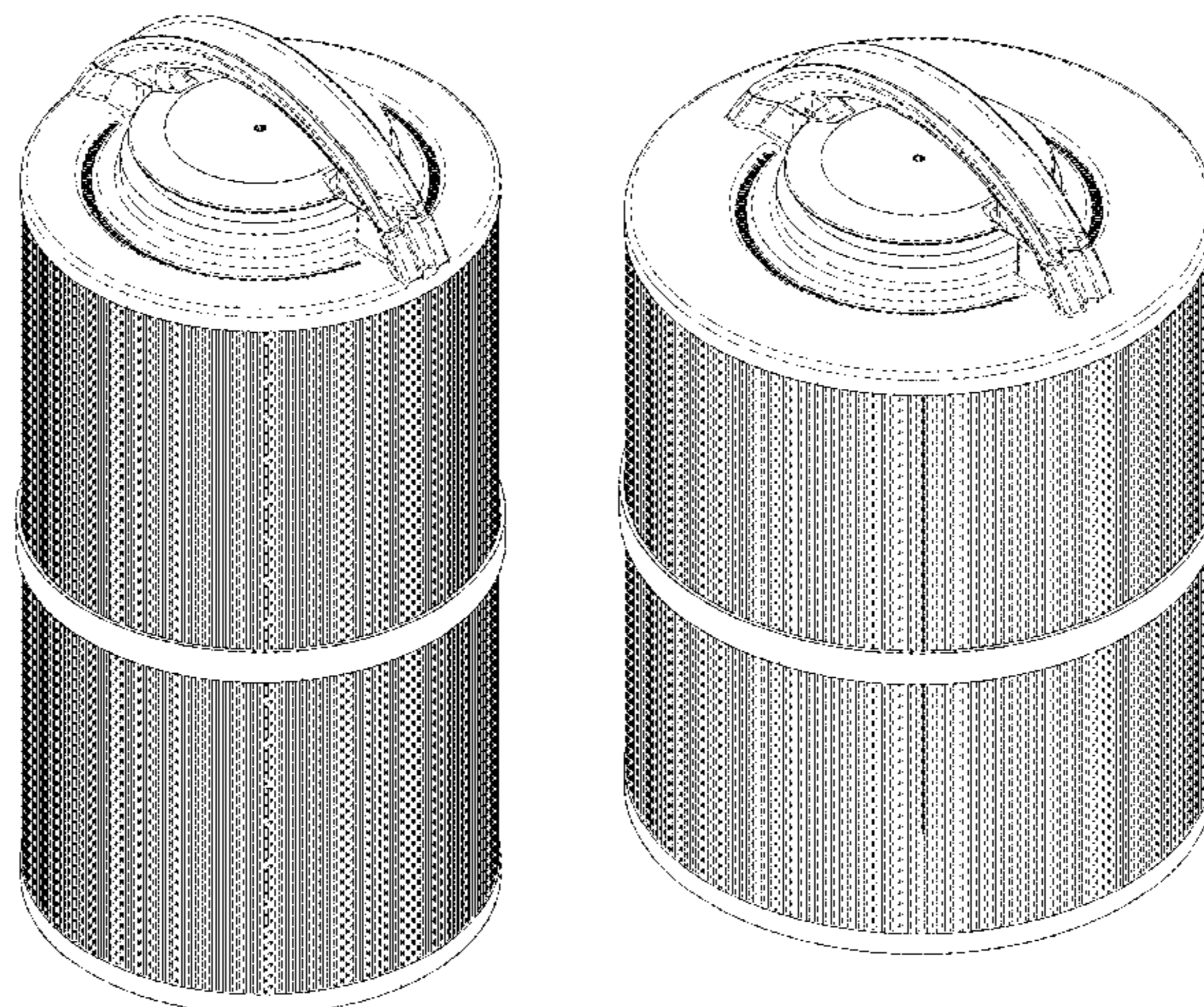
The ornamental design for a filter, as shown and described.

**DESCRIPTION**

FIG. 1 is a top front right perspective view of a first embodiment of a filter showing the new design;  
 FIG. 2 is a top front right perspective view of the filter with an inner filter element being removed or inserted from an outer filter element thereof;  
 FIG. 3 is a bottom rear left perspective view thereof;  
 FIG. 4 is a front elevational view thereof;  
 FIG. 5 is a rear elevational view thereof;  
 FIG. 6 is a left elevational view thereof;  
 FIG. 7 is a right elevational view thereof;  
 FIG. 8 is a top plan view thereof;  
 FIG. 9 is a bottom plan view thereof;  
 FIG. 10 is a top front right perspective view of the filter of FIG. 1, shown in a second embodiment;  
 FIG. 11 is a top front right perspective view of the filter with an inner filter element being removed or inserted from an outer filter element thereof;  
 FIG. 12 is a bottom rear left perspective view thereof;  
 FIG. 13 is a front elevational view thereof;  
 FIG. 14 is a rear elevational view thereof;  
 FIG. 15 is a left elevational view thereof;  
 FIG. 16 is a right elevational view thereof;  
 FIG. 17 is a top plan view thereof; and,  
 FIG. 18 is a bottom plan view thereof.

The portions shown in the figures in broken lines do not constitute part of the claimed design.

**1 Claim, 16 Drawing Sheets**



(56)

References Cited

U.S. PATENT DOCUMENTS

D306,199 S 2/1990 Meissner  
 D306,640 S 3/1990 Kott  
 D318,091 S 7/1991 Sherman  
 D318,094 S 7/1991 Sherman  
 D320,062 S 9/1991 Meissner  
 5,135,654 A 8/1992 Heskett  
 5,198,118 A 3/1993 Heskett  
 5,211,846 A 5/1993 Kott et al.  
 5,314,623 A 5/1994 Heskett  
 D402,735 S 12/1998 Kott  
 D403,740 S 1/1999 Kott  
 D412,551 S 8/1999 Smith et al.  
 D414,544 S \* 9/1999 Ward ..... D23/209  
 6,962,660 B2 11/2005 Wybo  
 D548,307 S 8/2007 Reynolds et al.  
 7,416,663 B2 8/2008 Kott et al.  
 D648,822 S 11/2011 Salvador et al.  
 D656,577 S 3/2012 Salvador et al.  
 D717,395 S 11/2014 Neto  
 D726,869 S 4/2015 Lepine et al.  
 D729,344 S 5/2015 Colussi  
 D730,731 S 6/2015 Bewley et al.  
 D735,293 S 7/2015 Schwartz et al.  
 D751,170 S 3/2016 Ruprecht  
 D753,739 S 4/2016 Bell  
 D753,789 S 4/2016 Raab et al.  
 D754,304 S 4/2016 Morris et al.  
 D770,011 S 10/2016 Nelson  
 D770,592 S 11/2016 Schwartz et al.  
 D773,014 S 11/2016 Pale  
 D782,000 S \* 3/2017 Morris ..... D23/209

D793,525 S 8/2017 Morris et al.  
 D810,232 S 2/2018 Schwartz et al.  
 D810,859 S 2/2018 Lu et al.  
 D825,029 S \* 8/2018 Goldman ..... D23/209  
 D827,086 S \* 8/2018 Bell ..... D23/209  
 D835,233 S 12/2018 Coelho et al.  
 2004/0124129 A1 7/2004 Booth  
 2007/0241045 A1 10/2007 Kott et al.  
 2010/0243554 A1 9/2010 Herrin et al.  
 2011/0147297 A1 6/2011 Core et al.  
 2012/0080372 A1 4/2012 Ries et al.  
 2017/0028326 A1 2/2017 Till et al.  
 2018/0028950 A1 2/2018 Heilman et al.  
 2018/0112429 A1\* 4/2018 Coelho ..... E04H 4/1209

OTHER PUBLICATIONS

Notice of Allowance received for U.S. Appl. No. 29/581,857, dated Aug. 3, 2018.  
 Notice of Allowance and Fees Due (PTOL-85) dated Jul. 18, 2018 for U.S. Appl. No. 29/581,857.  
 Non-Final Rejection received for U.S. Appl. No. 15/791,206, dated Nov. 26, 2018, 12 pages.  
 Nathan Coelho et al., Unpublished U.S. patent application filed on Oct. 30, 2018, U.S. Appl. No. 29/668,453.  
 Nathan Coelho et al., Unpublished U.S. application filed on Oct. 30, 2018, U.S. Appl. No. 29/668,463.  
 Nathan Coelho et al., Related unpublished Utility U.S. Appl. No. 15/791,206, filed Oct. 23, 2017.  
 Ex Parte Quayle Action dated Apr. 5, 2018 for U.S. Appl. No. 29/581,857.

\* cited by examiner



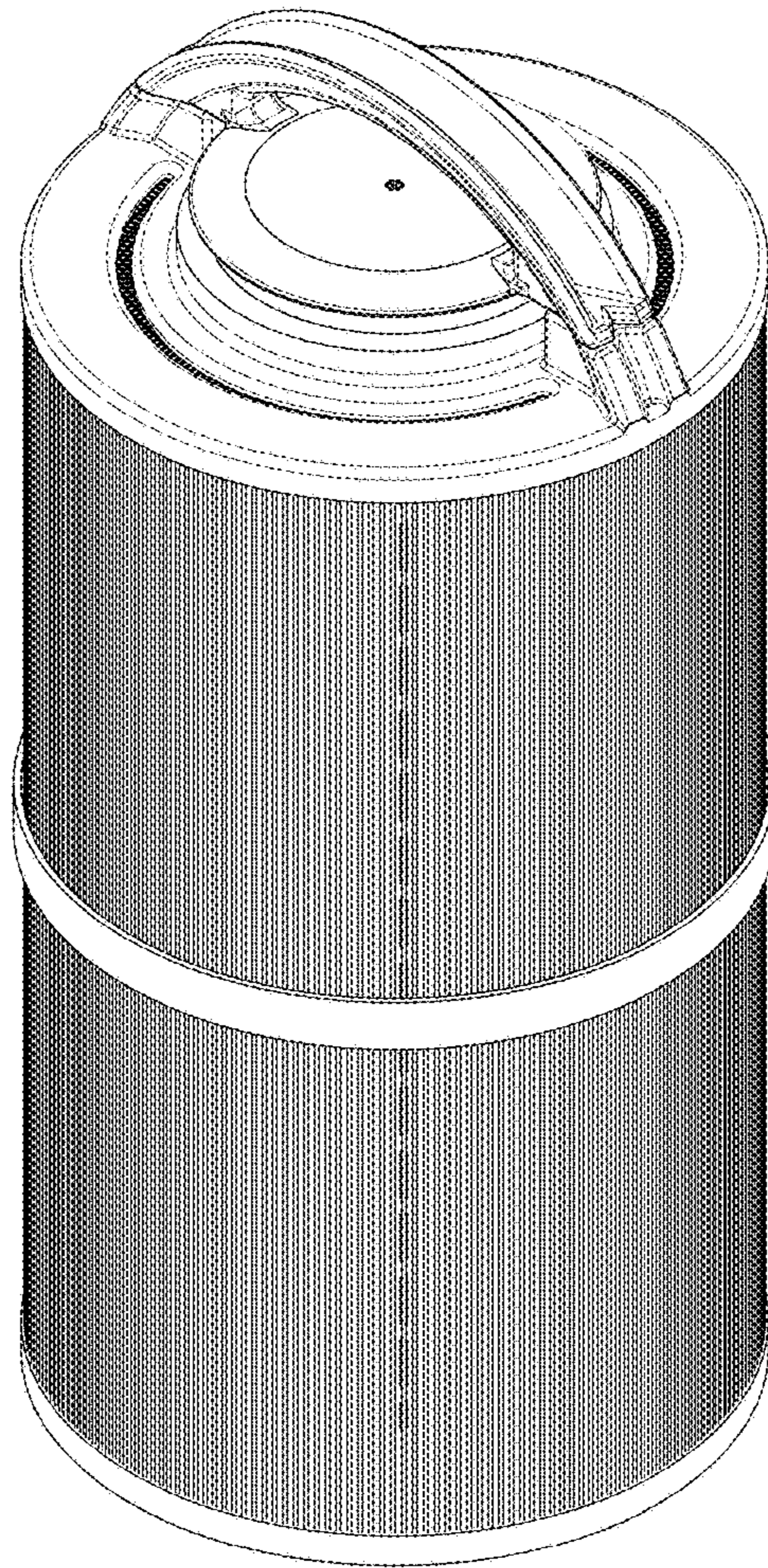


FIG. 1

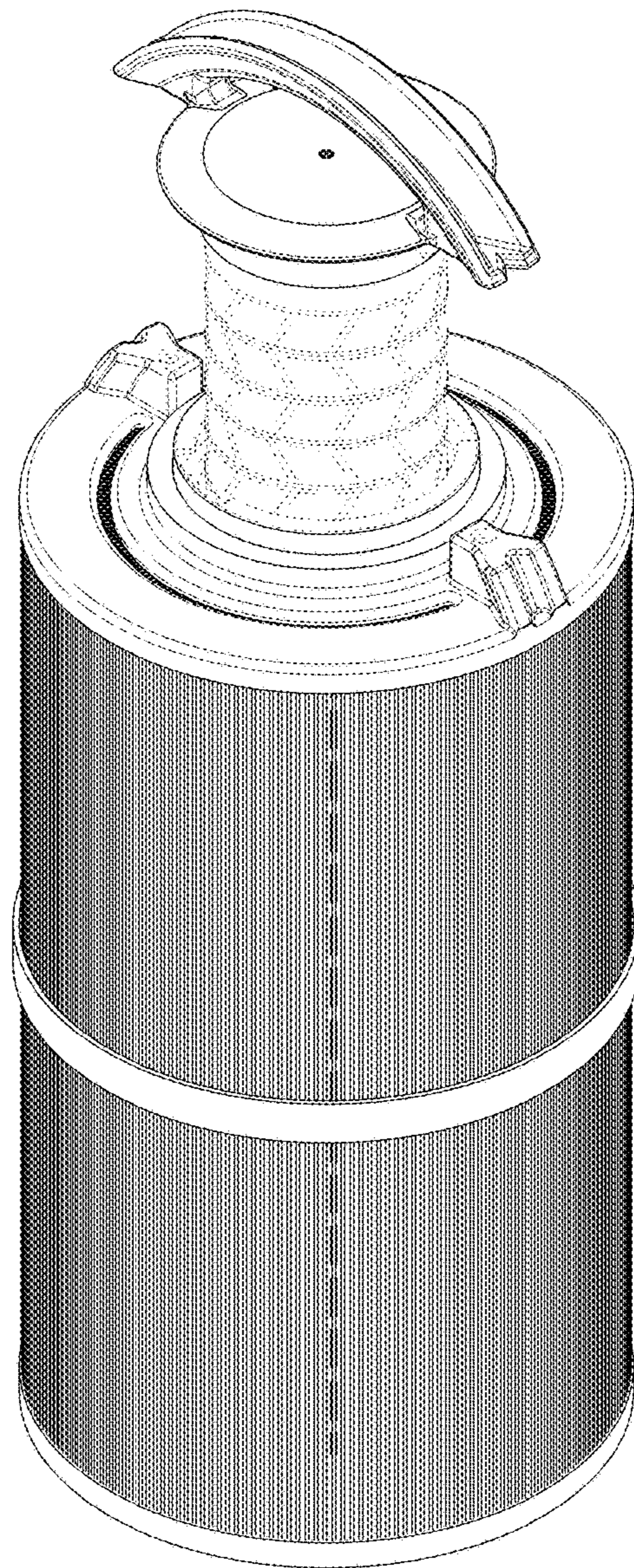


FIG. 2



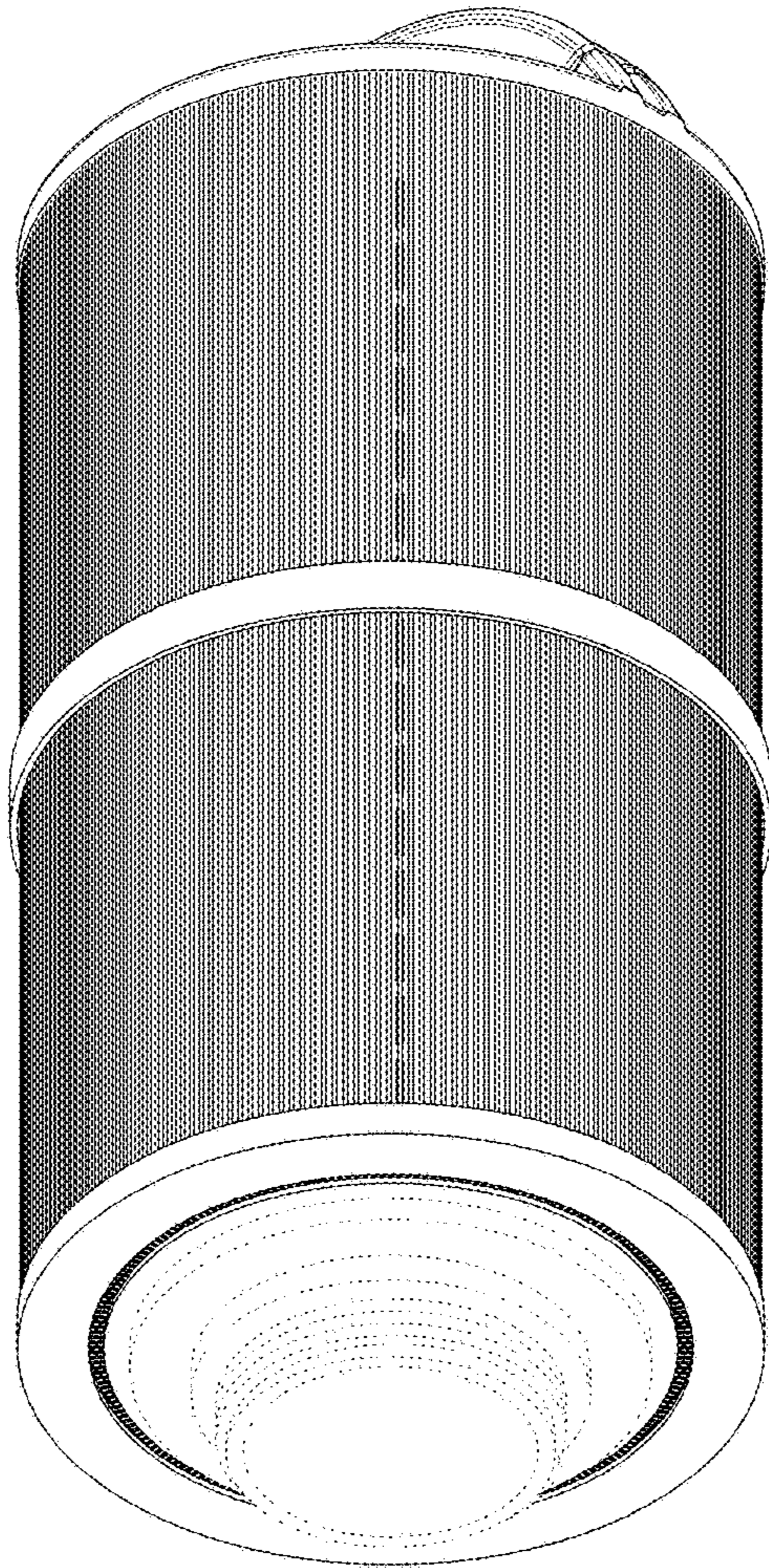


FIG. 3

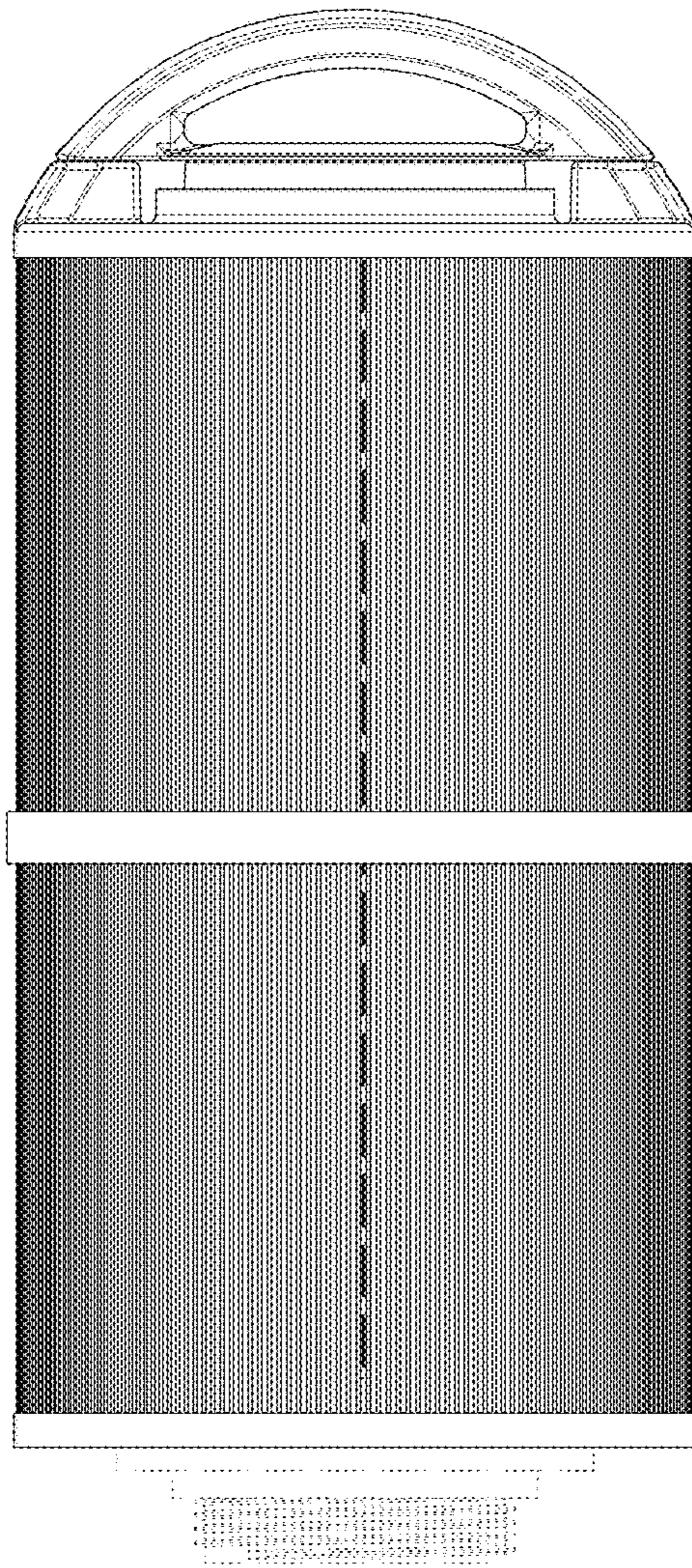


FIG. 4



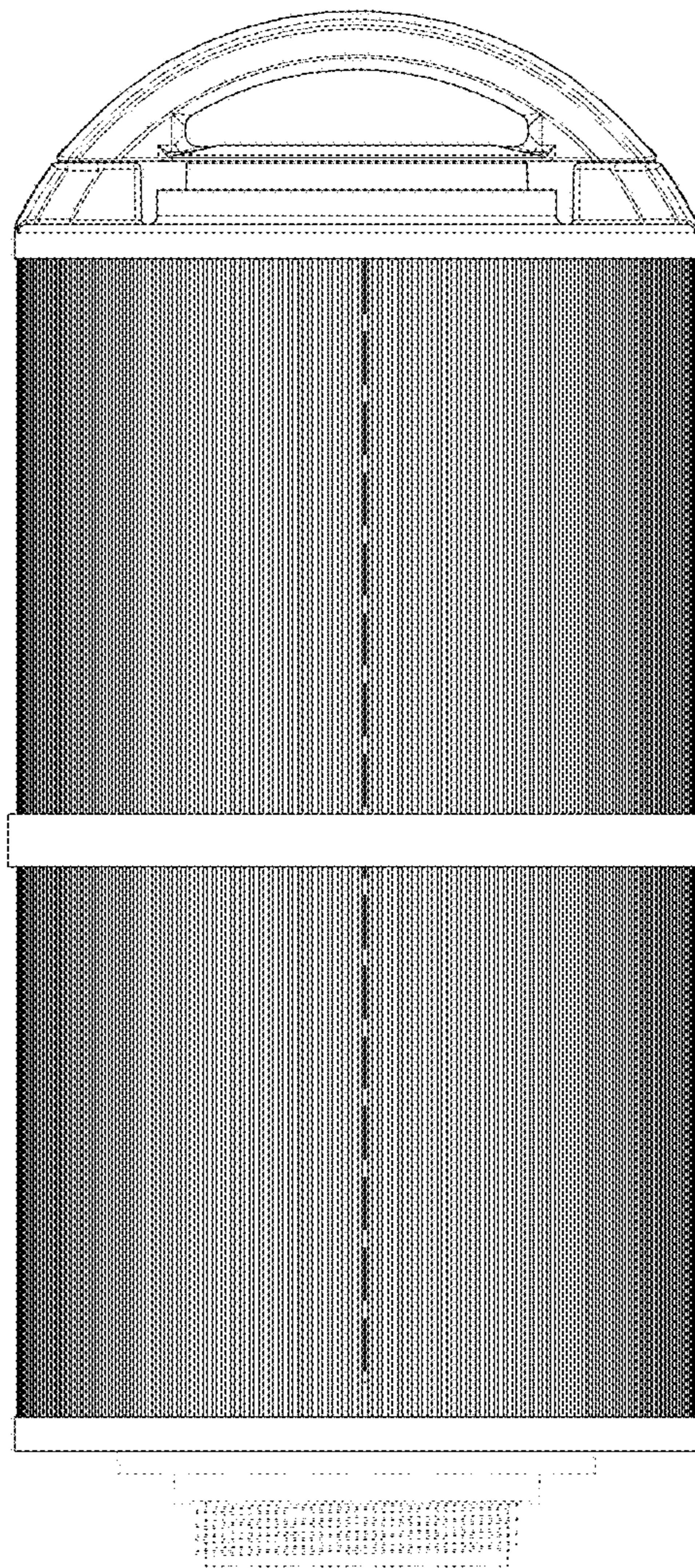


FIG. 5

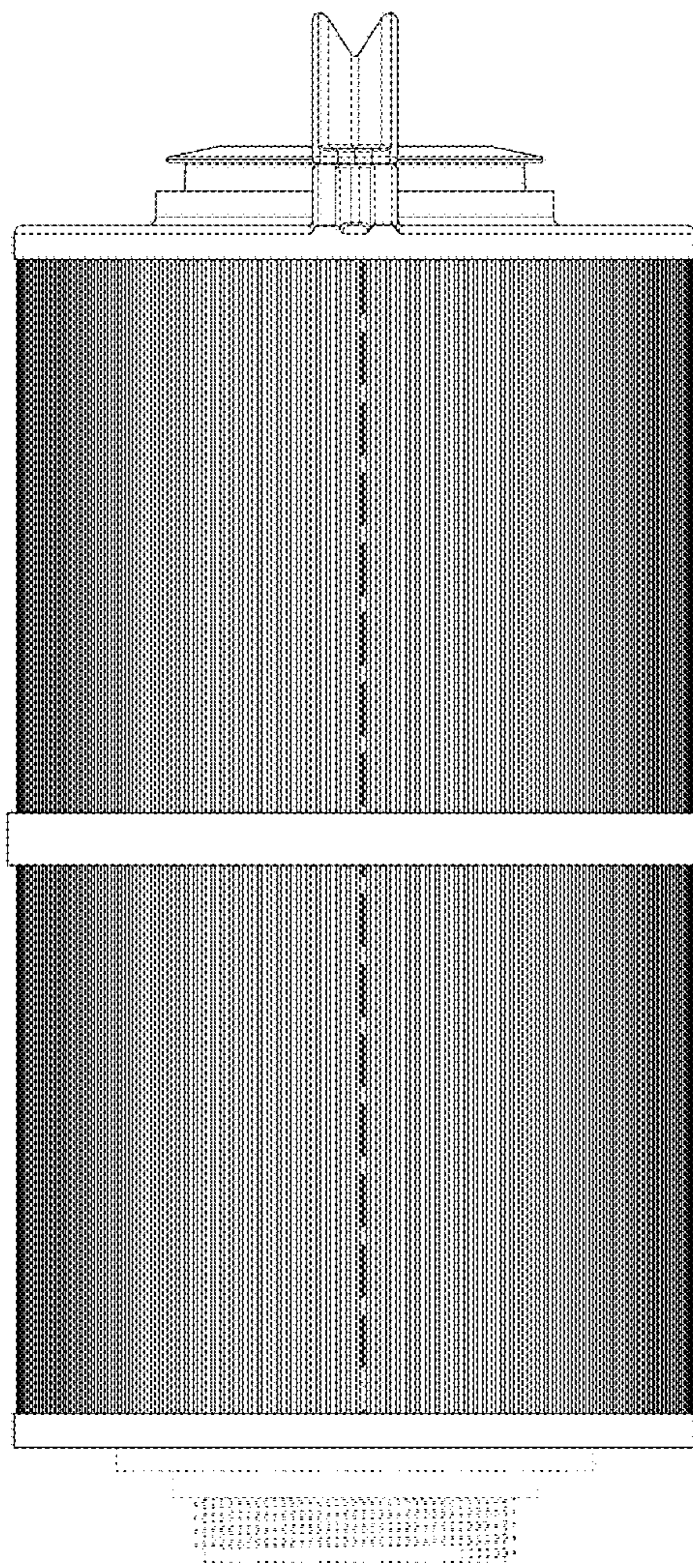


FIG. 6



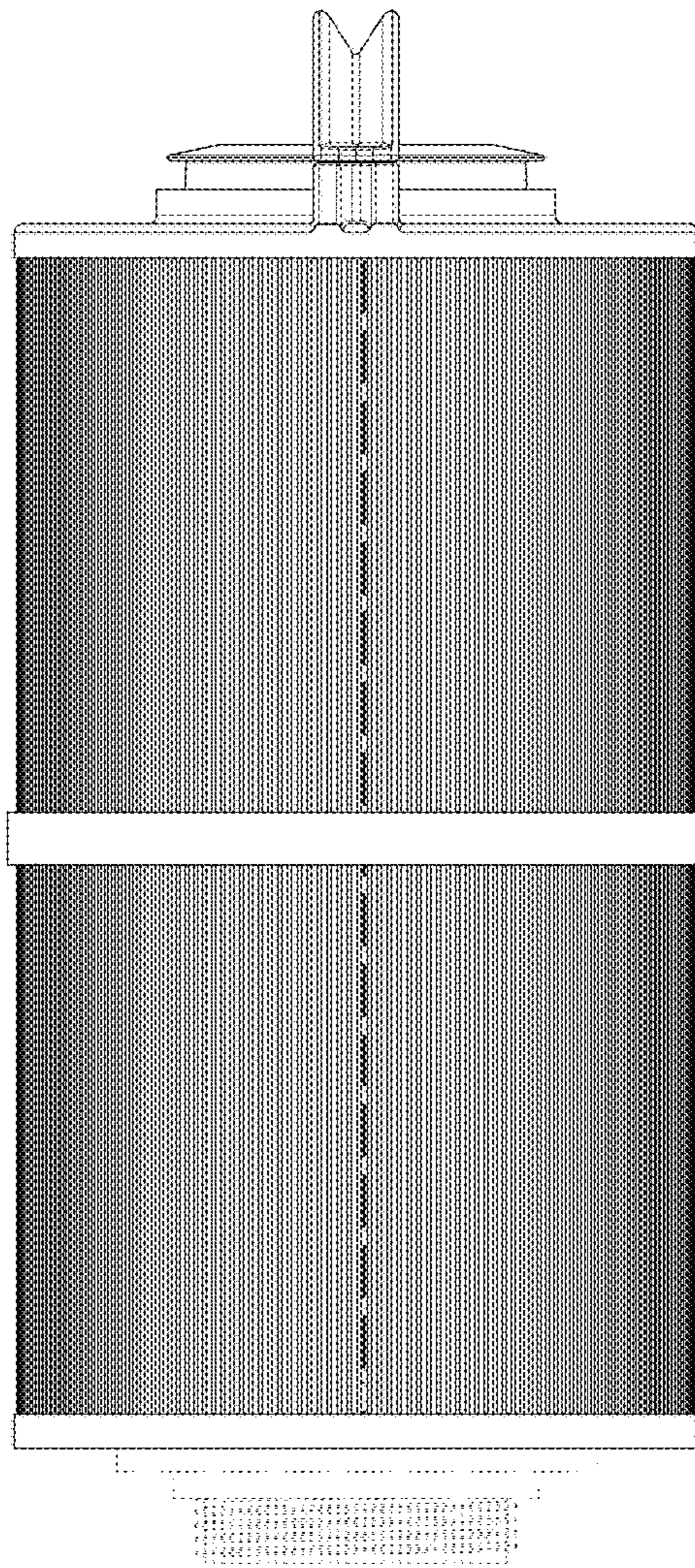


FIG. 7

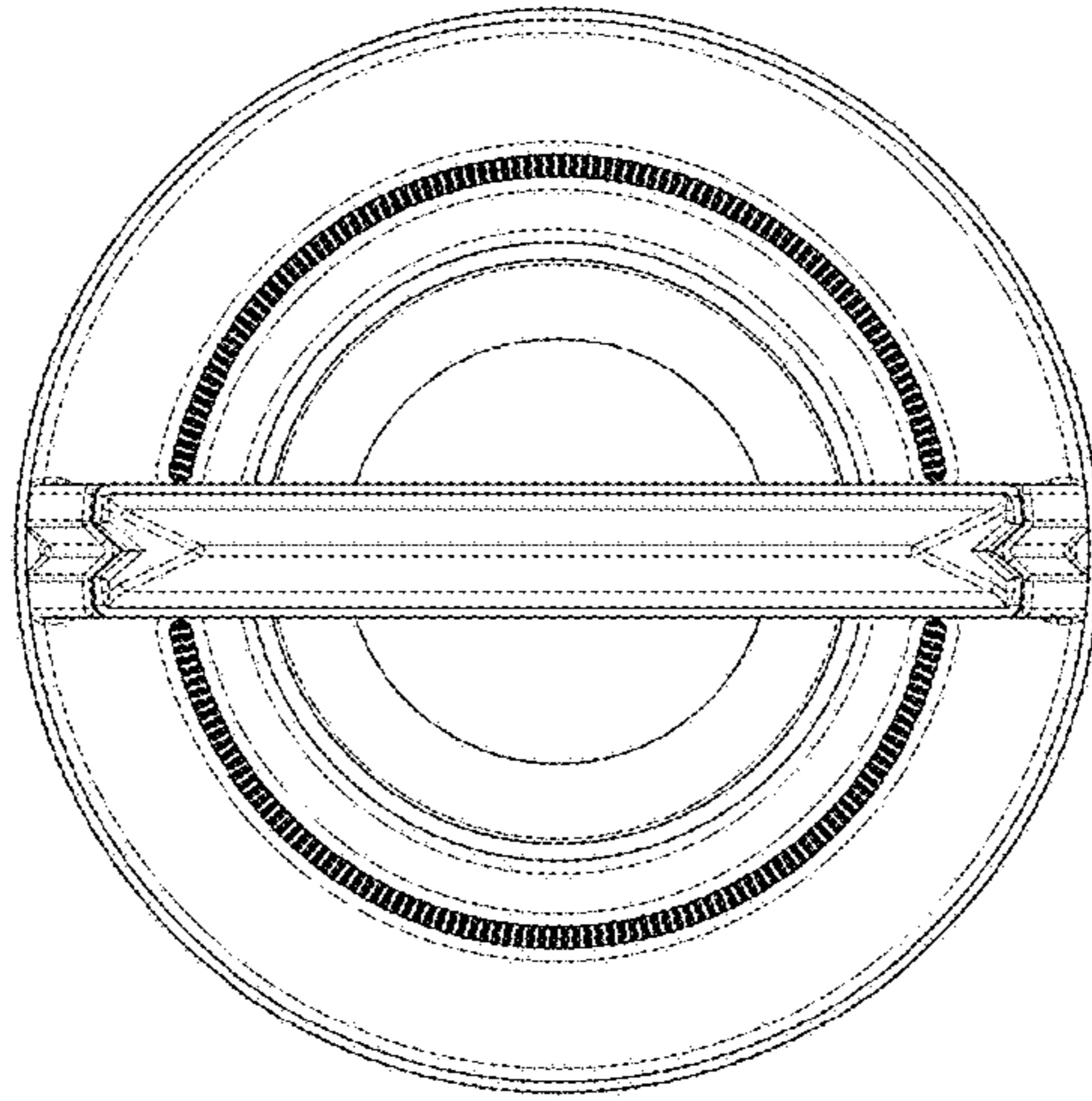


FIG. 8

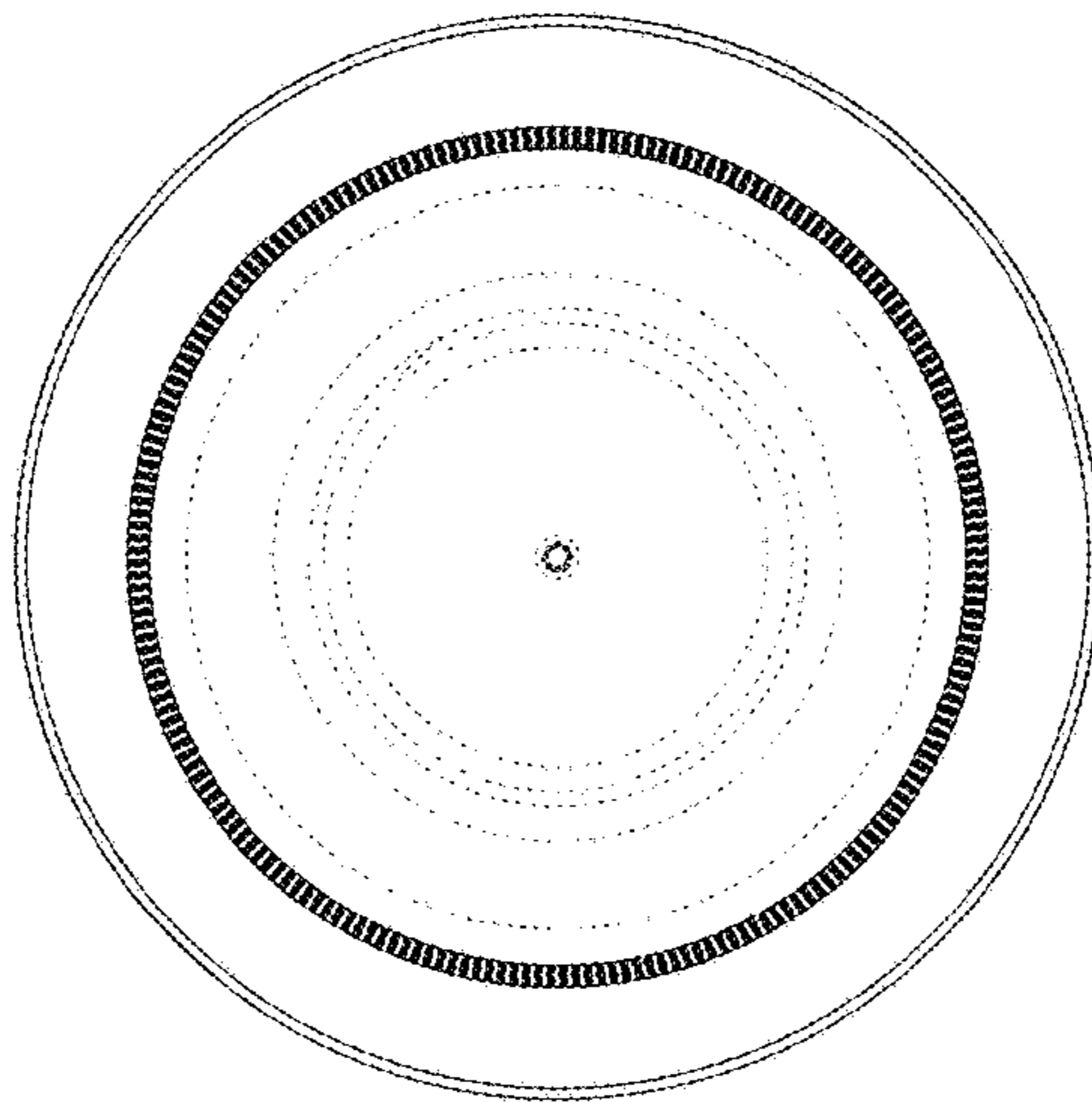


FIG. 9



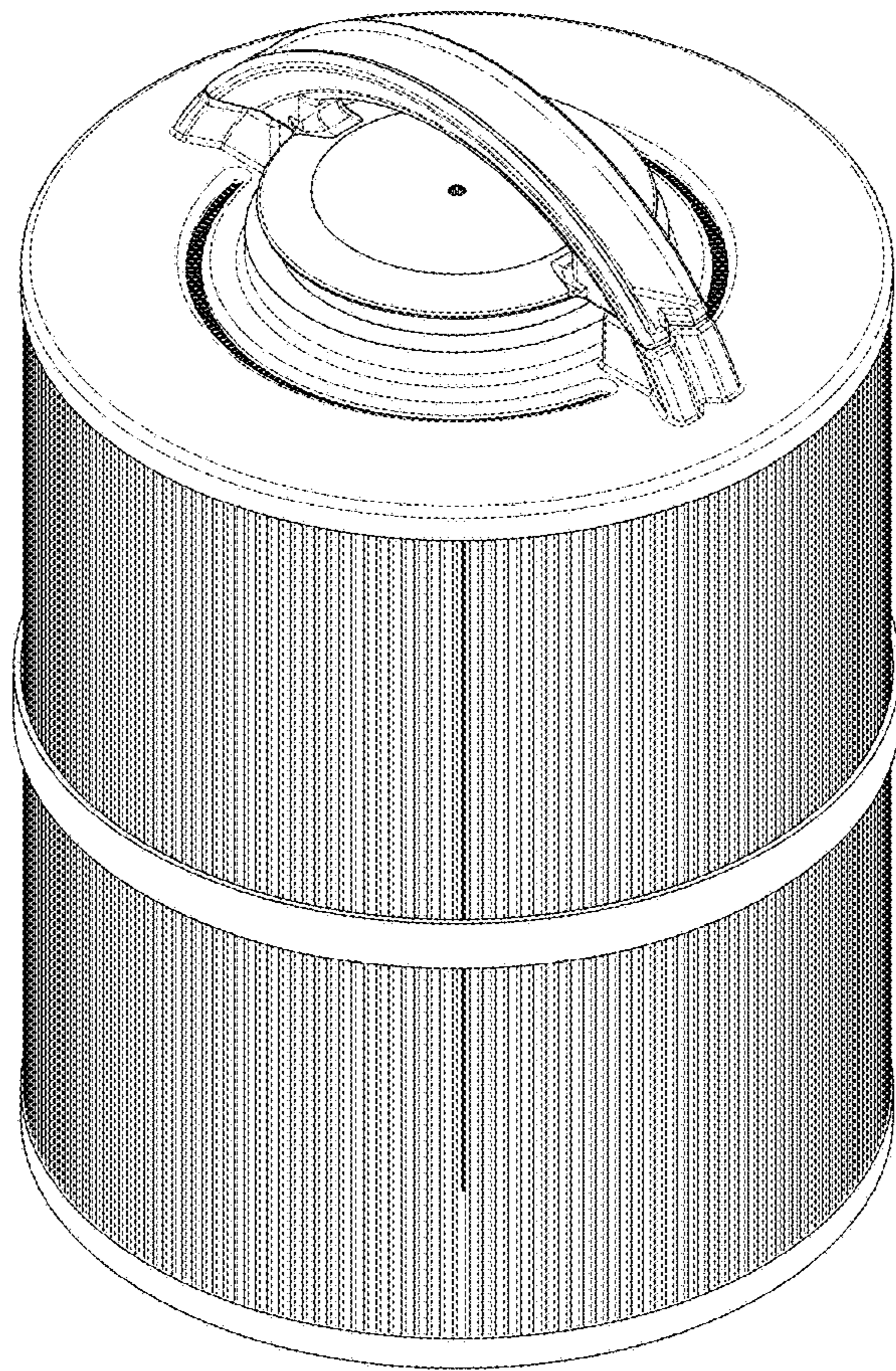


FIG. 10

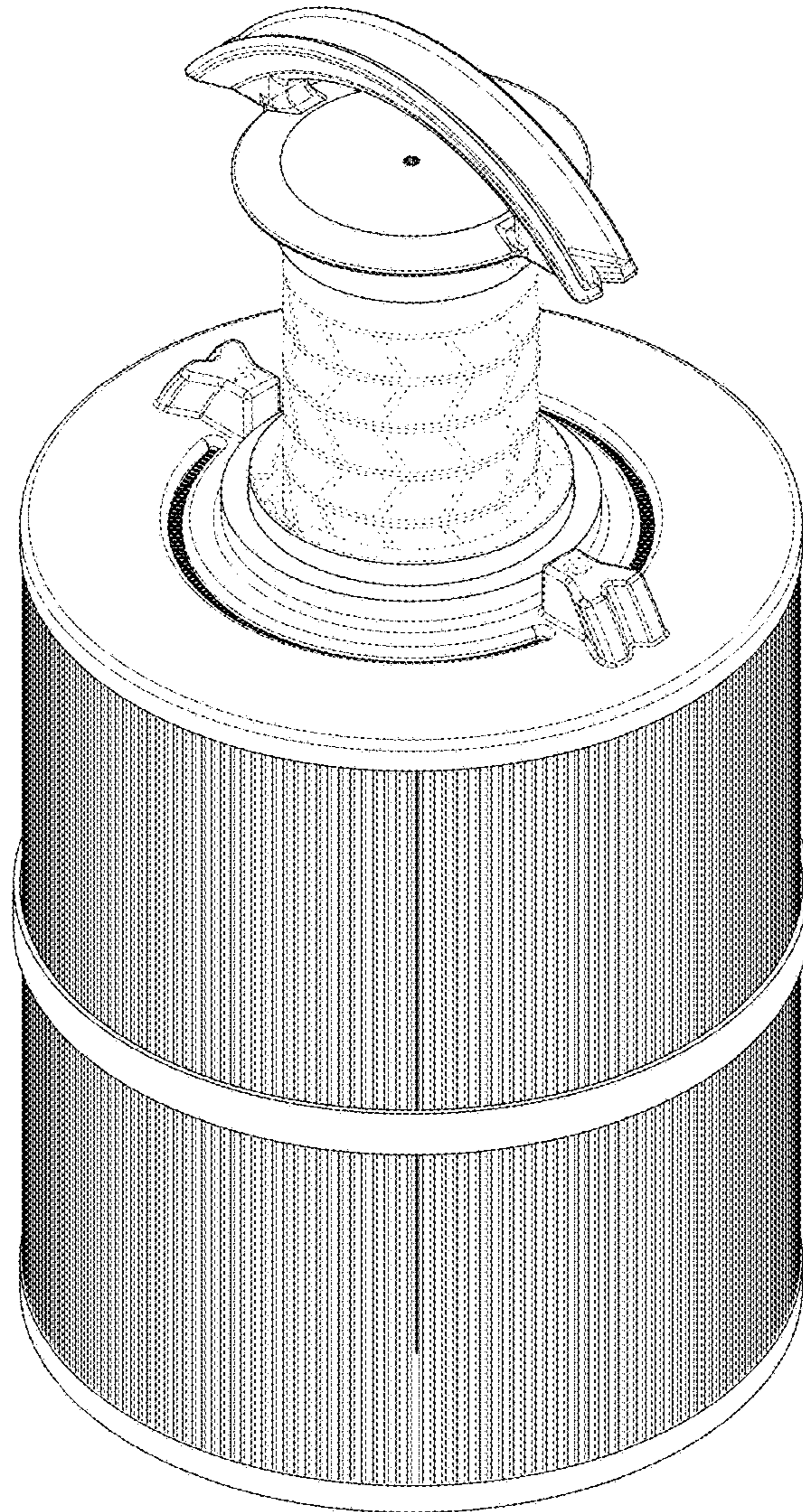


FIG. 11



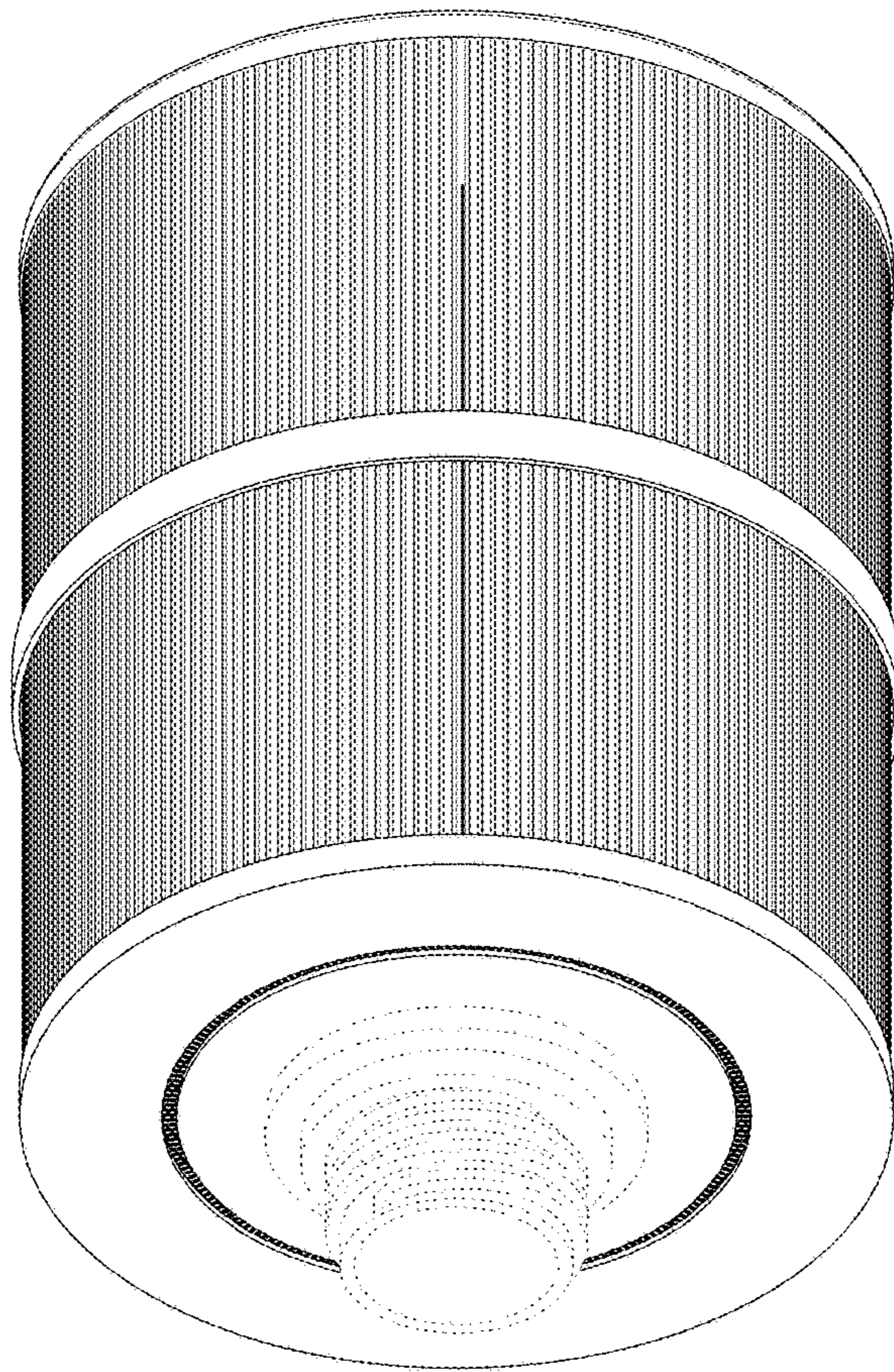


FIG. 12

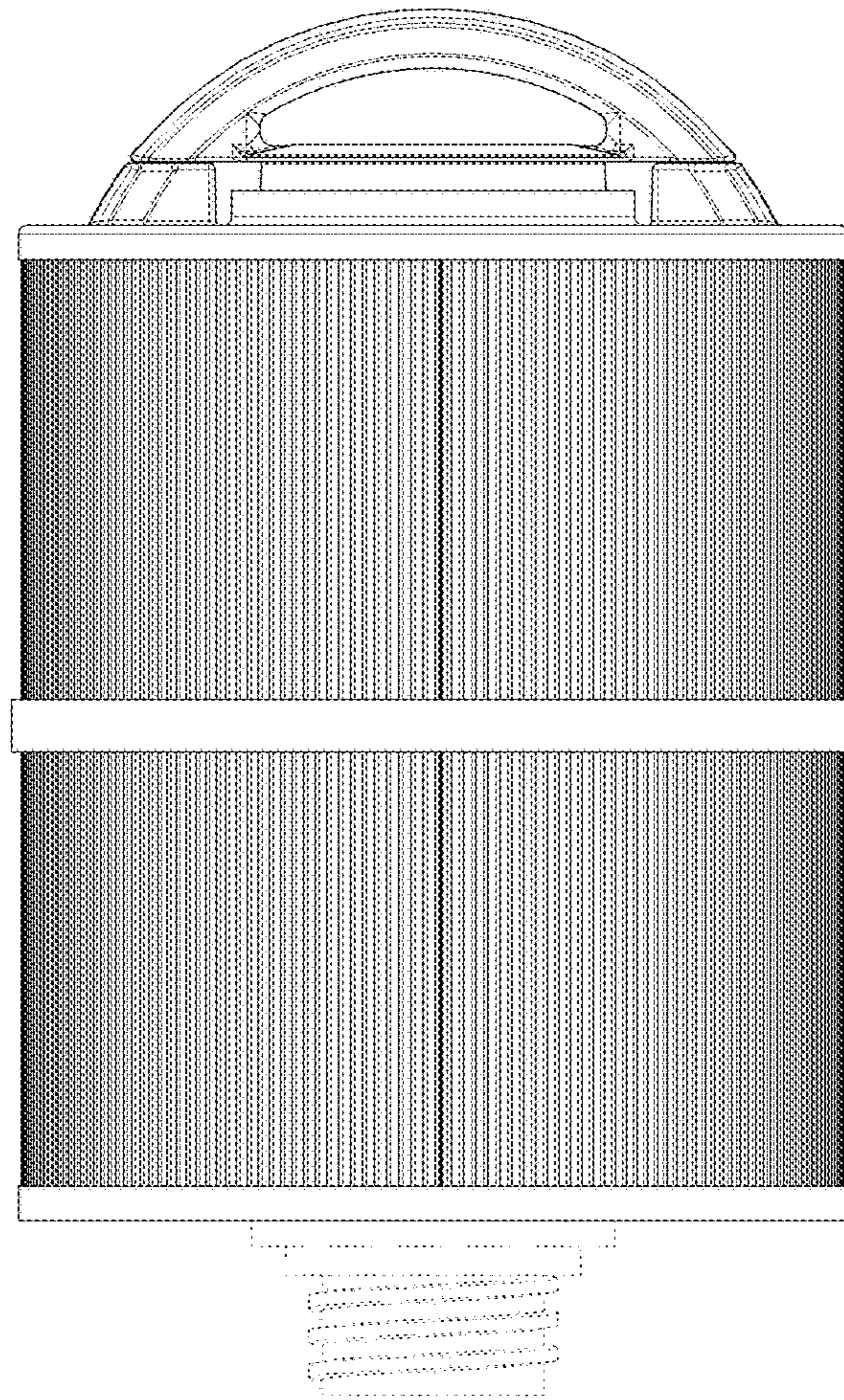


FIG. 13



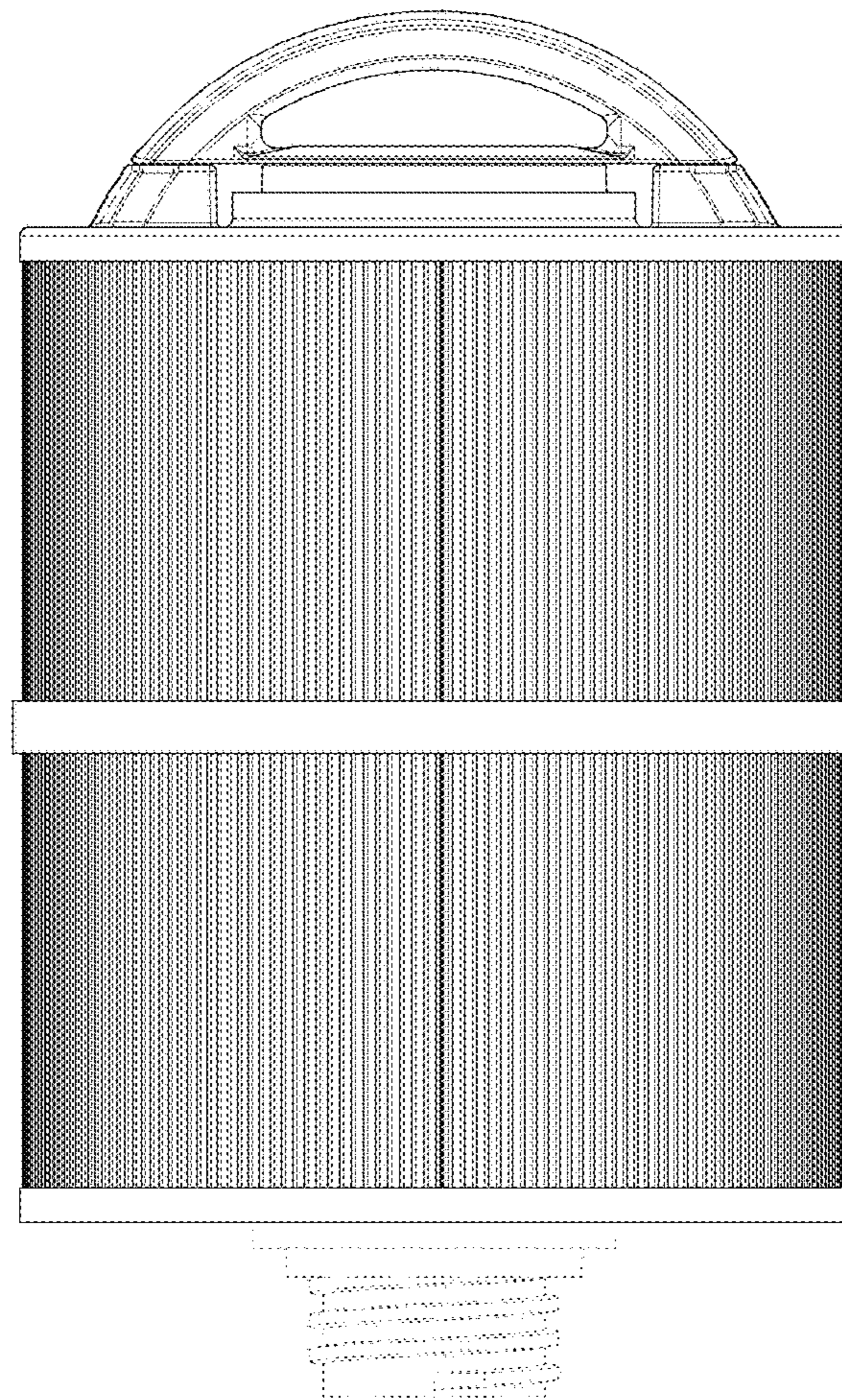


FIG. 14

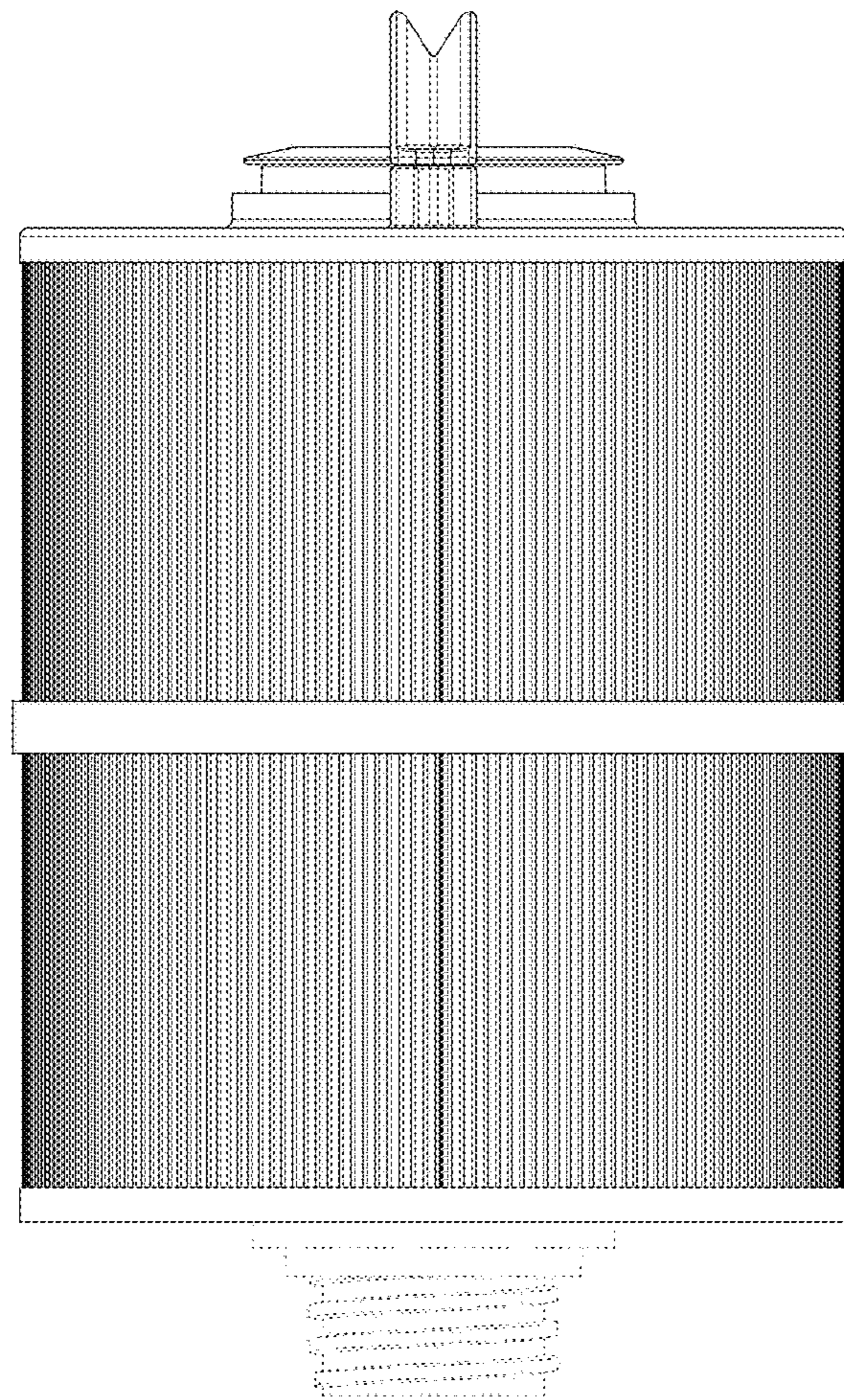


FIG. 15



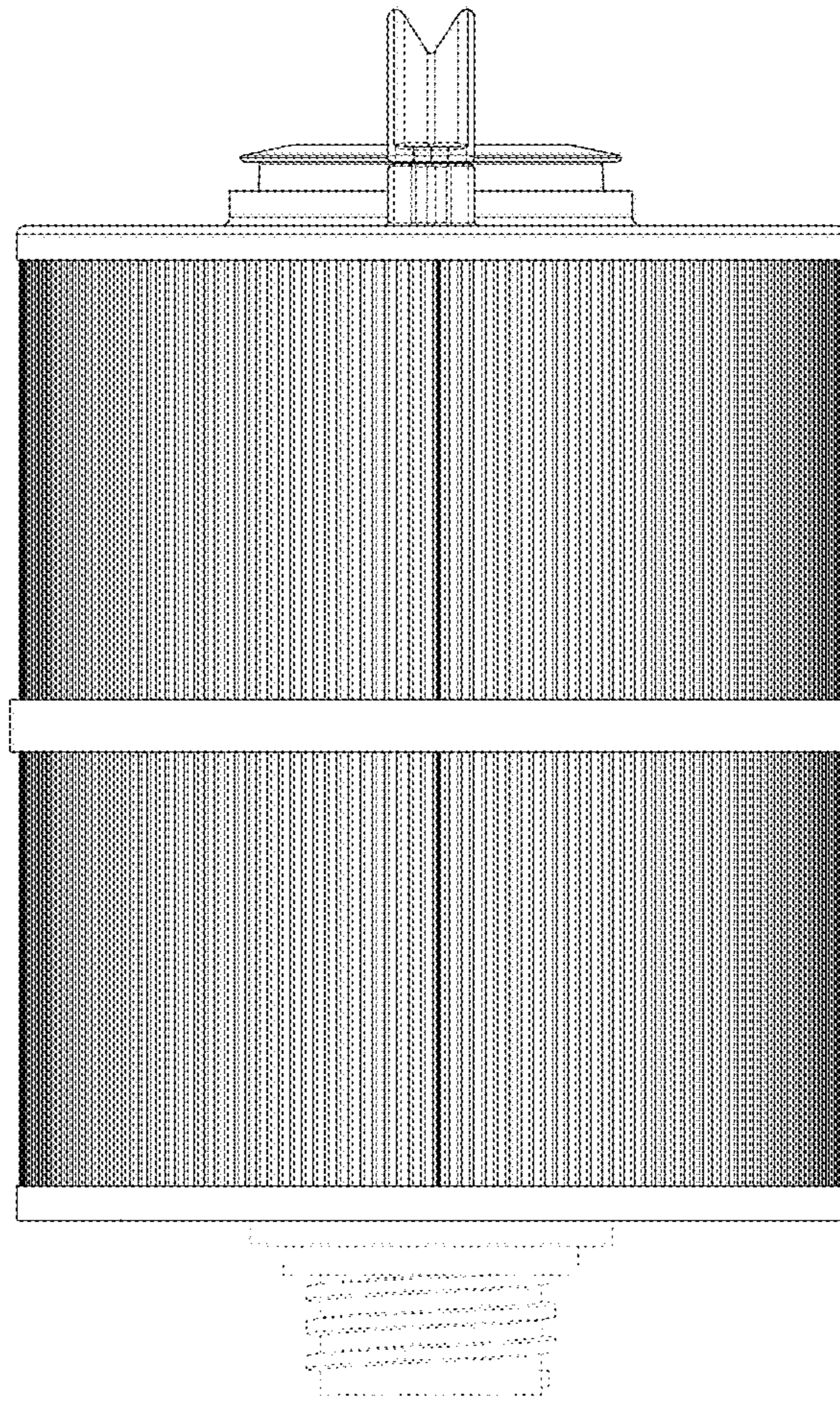


FIG. 16

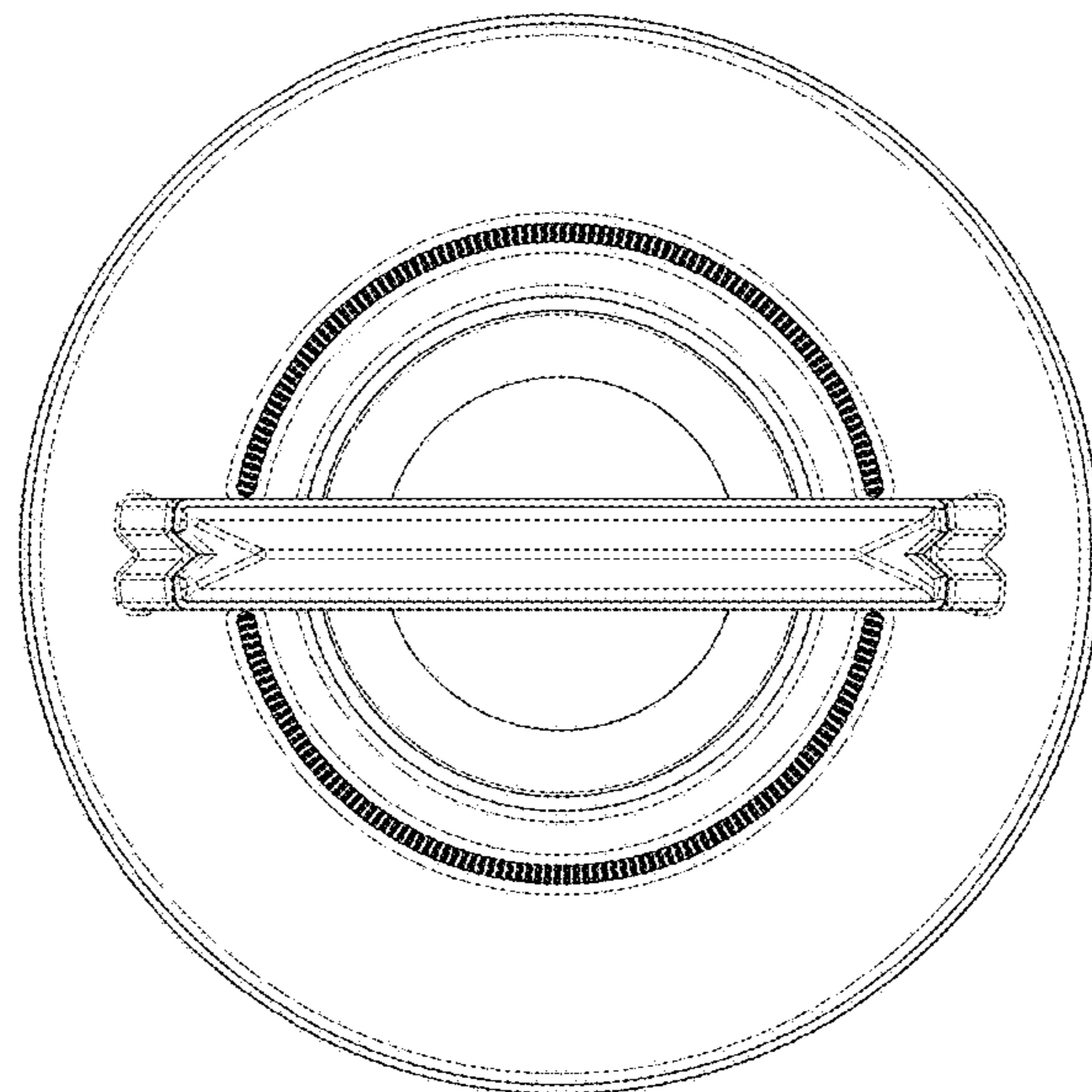


FIG. 17

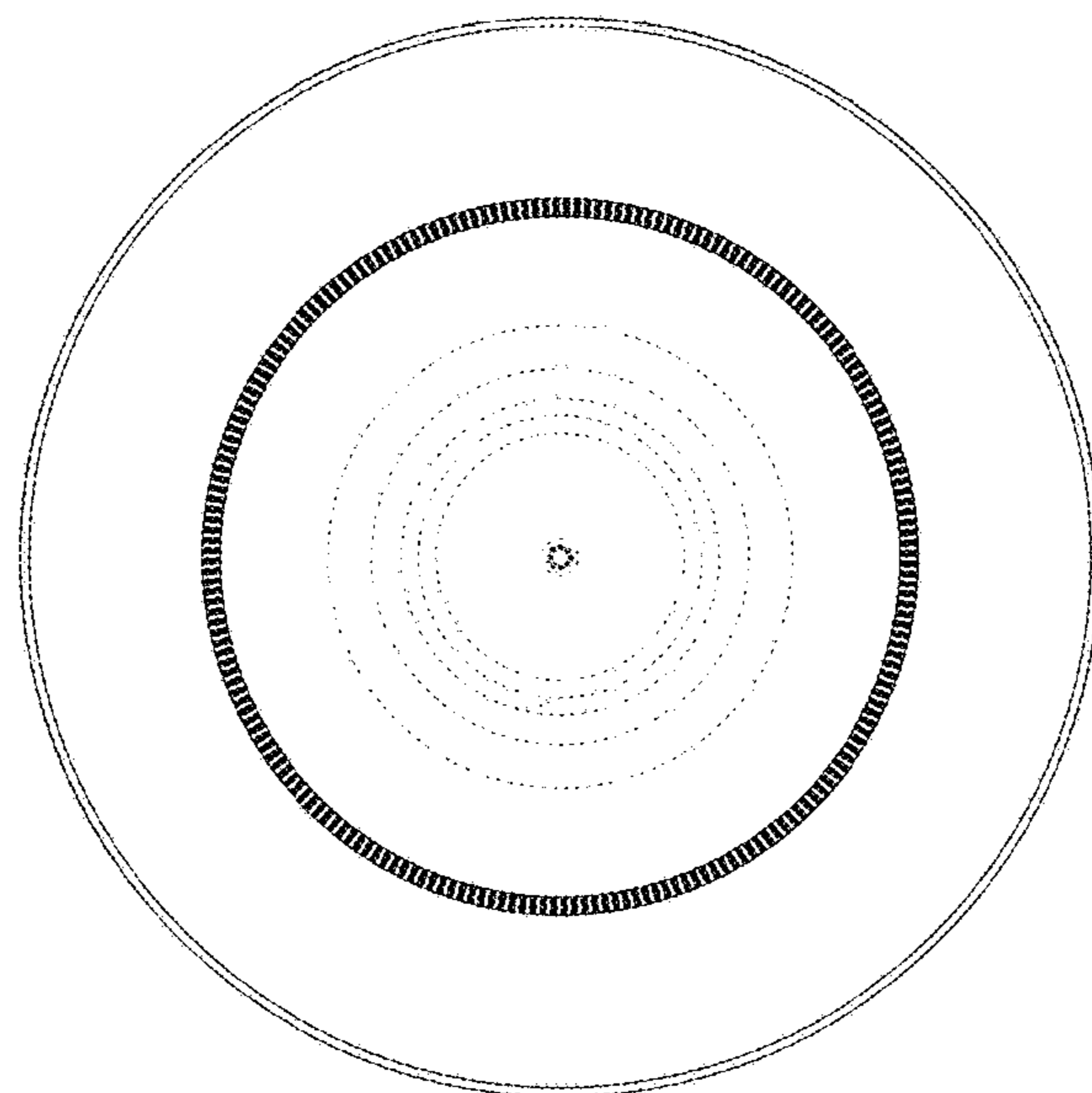


FIG. 18