



US00D855754S

(12) **United States Design Patent**
Maibach, Jr.

(10) **Patent No.:** **US D855,754 S**

(45) **Date of Patent:** **** Aug. 6, 2019**

- (54) **SHORT PATH DISTILLATION HEAD**
- (71) Applicant: **Lab Society LLC**, Longmont, CO (US)
- (72) Inventor: **Michael S. Maibach, Jr.**, Longmont, CO (US)
- (73) Assignee: **Michael S. Maibach, Jr.**, Longmont, CO (US)

- D634,397 S * 3/2011 Lautzenheiser B01D 1/0094
D23/207
- 9,138,657 B1 * 9/2015 Wiederin B01D 3/008
- D776,238 S * 1/2017 Kremerman B01D 3/00
D23/207
- D805,600 S * 12/2017 Kremerman B01D 1/0017
D23/207
- D819,779 S * 6/2018 Kremerman B01D 3/00
D23/207
- D828,904 S * 9/2018 Maibach, Jr. B01D 3/008
D23/207

(**) Term: **15 Years**

* cited by examiner

(21) Appl. No.: **29/634,400**

Primary Examiner — Robin V Webster

(22) Filed: **Jan. 22, 2018**

(74) *Attorney, Agent, or Firm* — Justin McNaughton;
Greenspoon Marder

(51) **LOC (12) Cl.** **23-01**

(52) **U.S. Cl.**
USPC **D23/207**

(57) **CLAIM**

(58) **Field of Classification Search**
USPC D23/207, 209; 202/81, 87, 176, 204
CPC C02F 1/04; B01D 5/0051; B01D 3/04;
B01D 3/008; B01D 3/00
See application file for complete search history.

The ornamental design for a short path distillation head, as shown and described.

DESCRIPTION

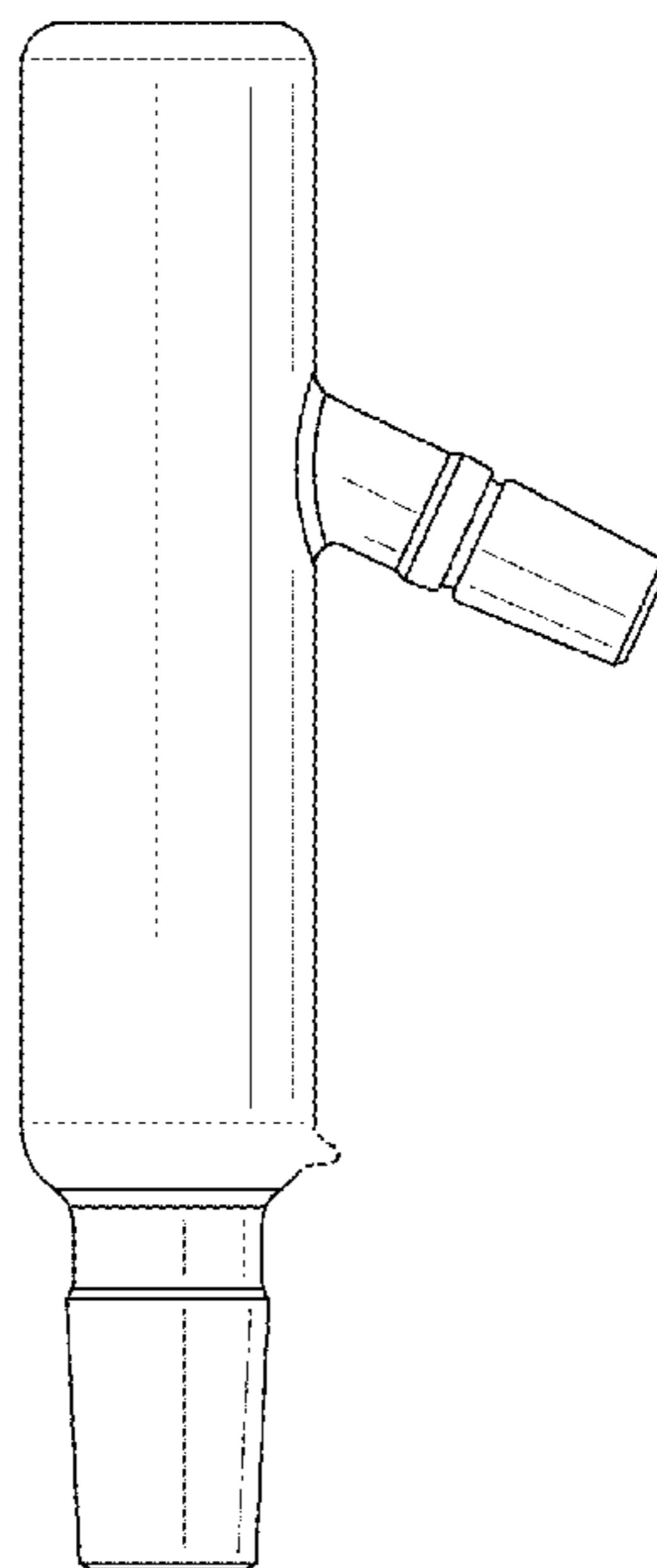
(56) **References Cited**

U.S. PATENT DOCUMENTS

- 1,418,691 A * 6/1922 Anders B01D 3/00
422/531
- 3,020,215 A * 2/1962 Weber B01D 1/0017
202/197
- 3,334,025 A * 8/1967 Reid B01D 3/00
202/161
- 4,089,749 A * 5/1978 Karamian B01D 3/00
202/176
- 4,230,536 A * 10/1980 Sech B01D 1/0094
122/234
- D432,203 S * 10/2000 Edwards D23/207

FIG. 1 is a right side elevational view of a short path distillation head showing my new design; FIG. 2 is a left side elevational view thereof; FIG. 3 is a front elevational view thereof; FIG. 4 is a rear elevational view thereof; FIG. 5 is top plan view thereof; and, FIG. 6 is a bottom plan view thereof; and, FIG. 7 is a right side cutaway taken long line 7-7 in FIG. 5. The broken lines shown in the figures represent portions of the short path distillation head that form no part of the claimed design.

1 Claim, 4 Drawing Sheets



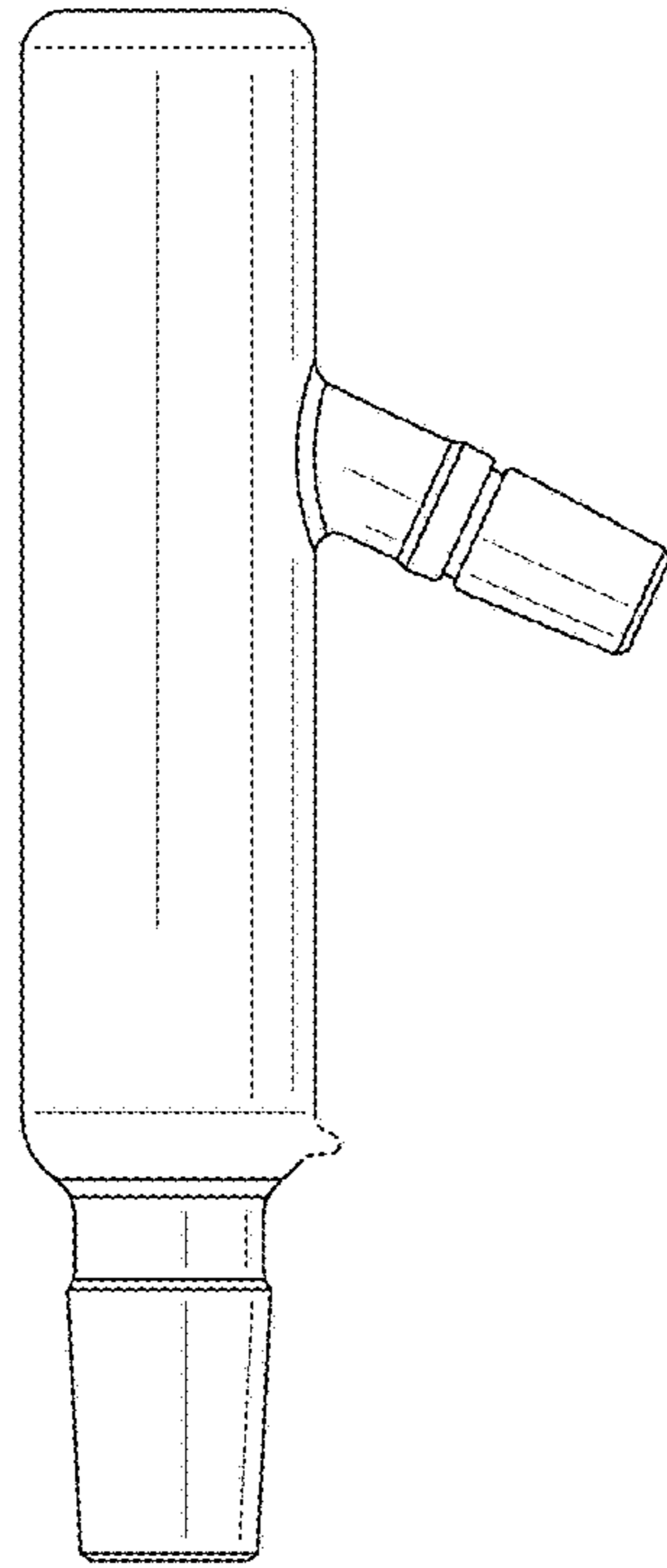


FIG. 1

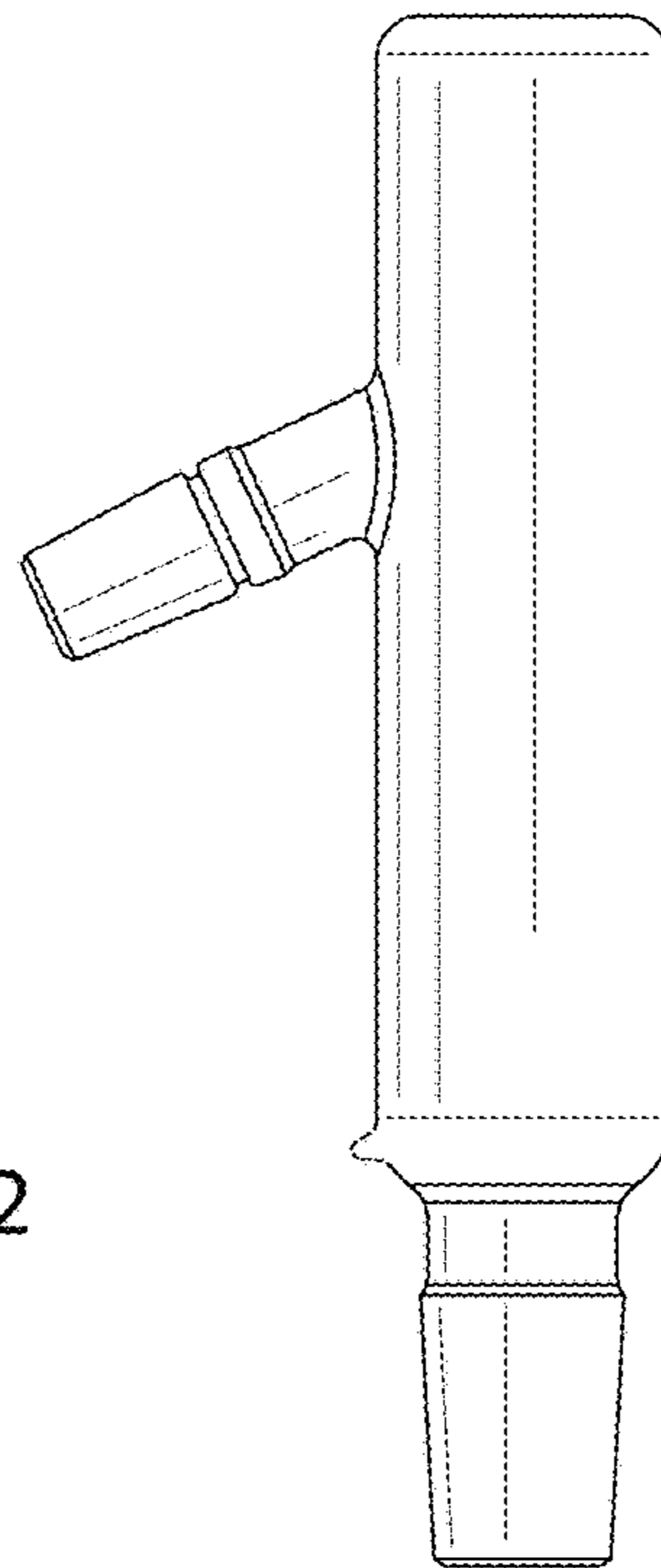


FIG. 2

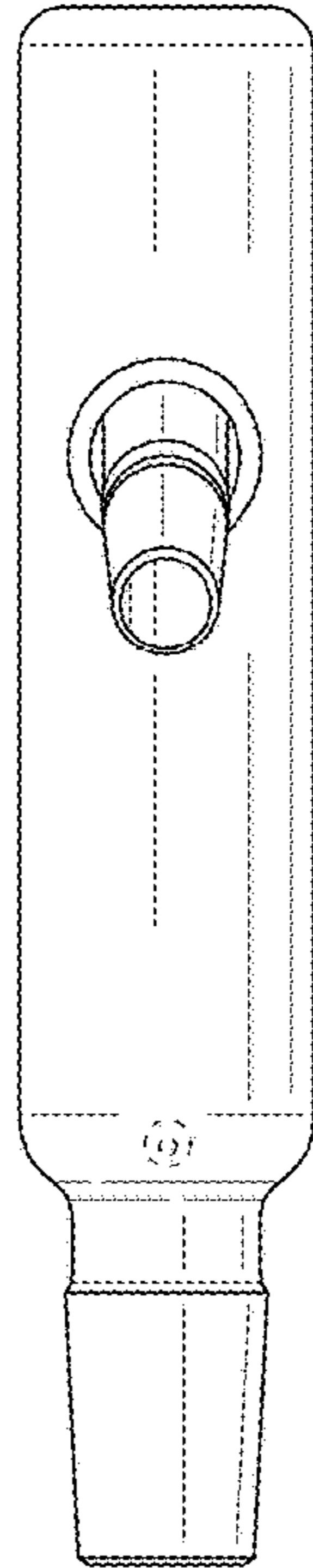


FIG. 3

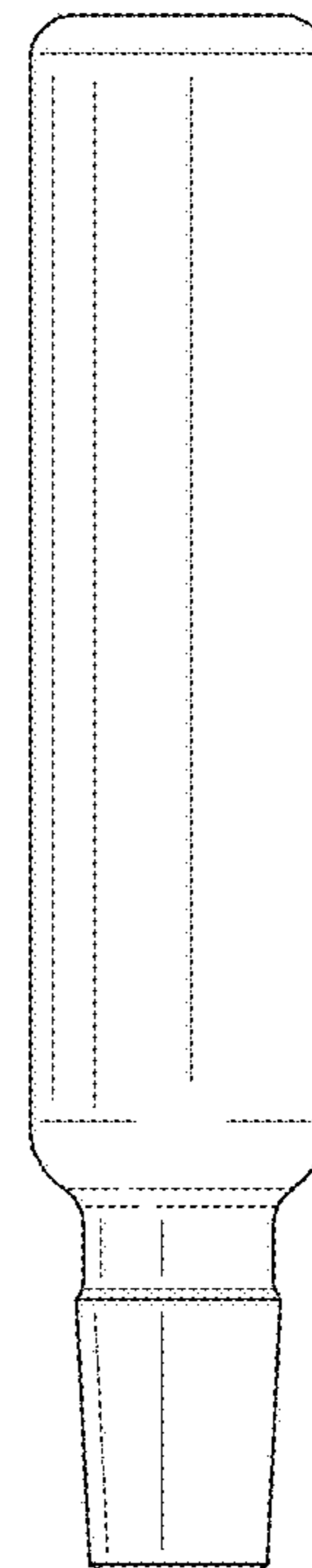


FIG. 4

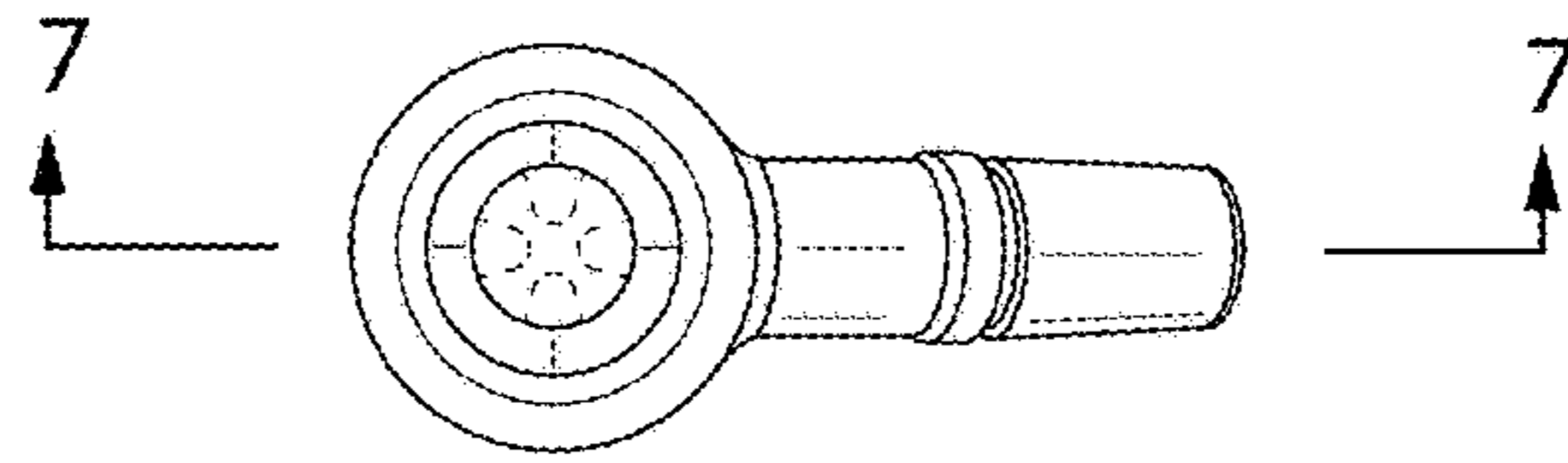


FIG. 5

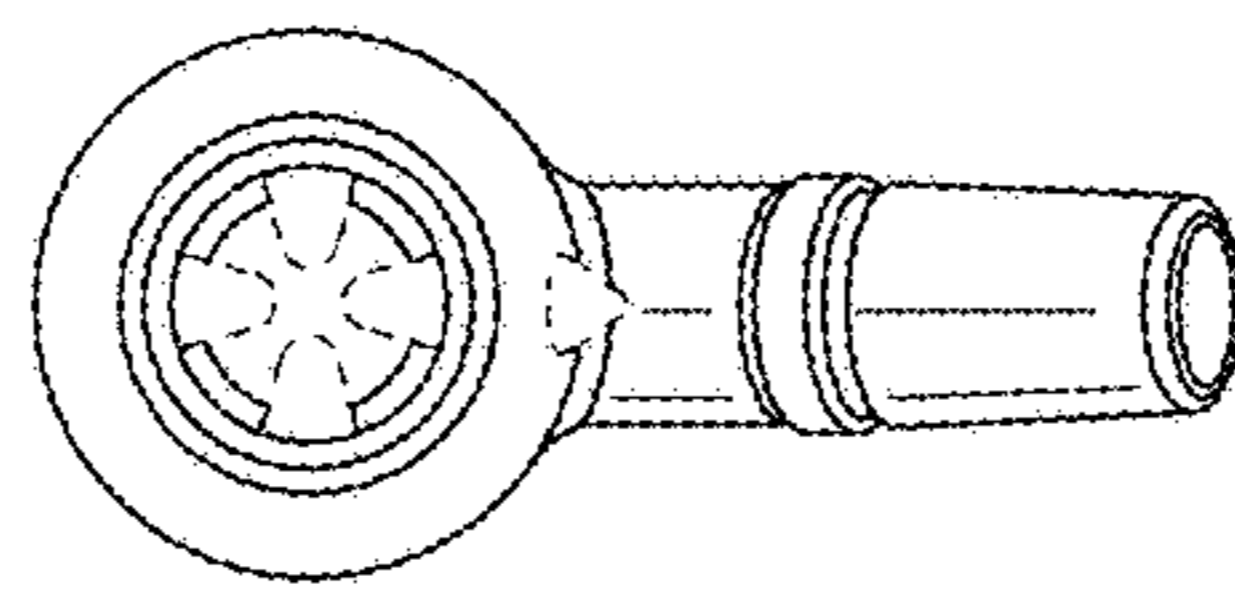


FIG. 6

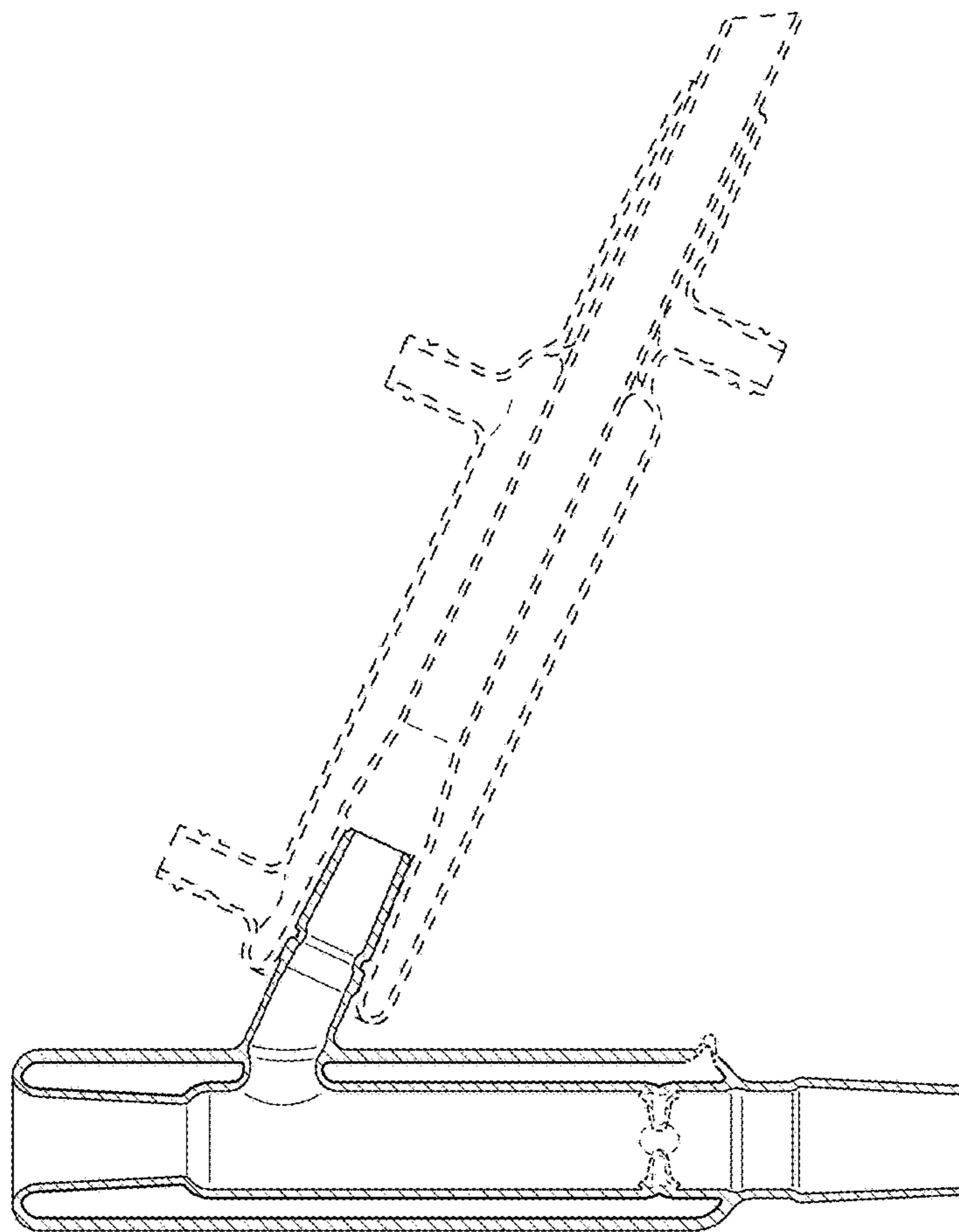


FIG. 7