



US00D855752S

(12) **United States Design Patent**
Kertz

(10) **Patent No.:** **US D855,752 S**

(45) **Date of Patent:** **** *Aug. 6, 2019**

(54) **FISHING LURE**

(71) Applicant: **FeatherBlade Tackle, LLC**, Dallas, TX (US)

(72) Inventor: **Michael W. Kertz**, Dallas, TX (US)

(73) Assignee: **No Longer Naked Lures, LLC**, Dallas, TX (US)

(*) Notice: This patent is subject to a terminal disclaimer.

(**) Term: **15 Years**

(21) Appl. No.: **29/617,562**

(22) Filed: **Sep. 14, 2017**

(51) **LOC (12) Cl.** **22-05**

(52) **U.S. Cl.**
USPC **D22/129; D22/128; D22/130**

(58) **Field of Classification Search**
USPC D22/125-133; D11/40, 57, 58
CPC A01K 85/00; A01K 85/08; A01K 85/14
See application file for complete search history.

(56) **References Cited**

U.S. PATENT DOCUMENTS

181,308	A *	8/1876	Brush	A01K 85/00
					43/42.11
831,980	A *	9/1906	Parke	A01K 85/08
					43/42.25
1,420,422	A *	6/1922	Foss	A01K 85/08
					43/42.25
1,476,067	A *	12/1923	Fredricks	A01K 85/00
					43/42.25
1,486,581	A *	3/1924	Hewitt	A01K 85/08
					43/42.27
1,522,185	A *	1/1925	Hawes	A01K 85/08
					43/42.16

1,557,771	A *	10/1925	Peckinpaugh	A01K 85/08
					43/42.28
1,591,704	A *	7/1926	Grube	A01K 85/08
					43/42.13
1,640,599	A *	8/1927	Conn	A01K 85/08
					156/172

(Continued)

OTHER PUBLICATIONS

“Alluring Lures: ‘The History of Fly-Fishing in Fifty Flies.’” Found online Oct. 2, 2018. Page dated Apr. 3, 2015. Retrieved from URL: <https://www.wsj.com/articles/alluring-lures-the-history-of-fly-fishing-in-fifty-flies-1428086204> (Year: 2015).*

(Continued)

Primary Examiner — Garth Rademaker

Assistant Examiner — Katelin G Kloberg

(74) *Attorney, Agent, or Firm* — James R. Gourley;
Carstens & Cahoon, LLP

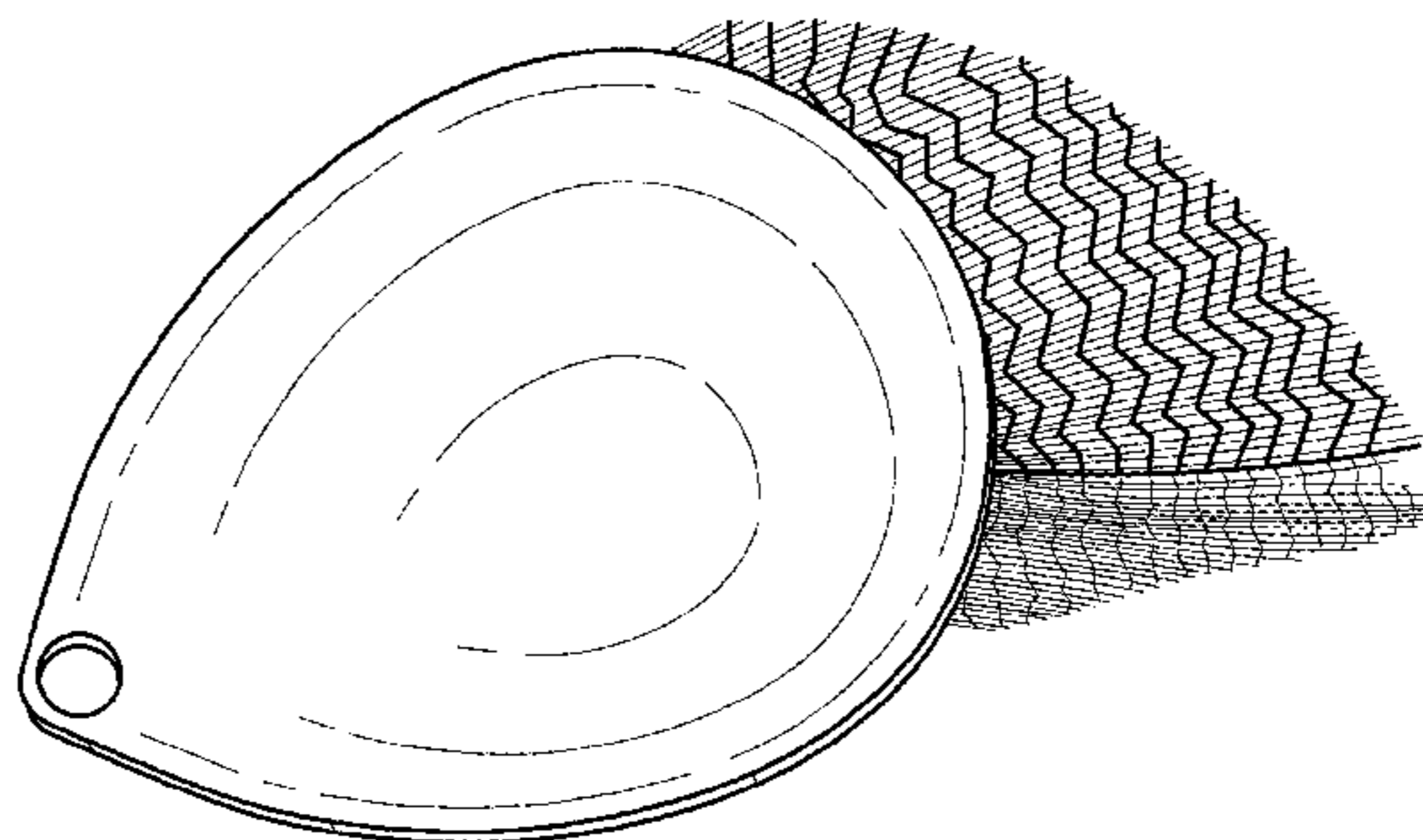
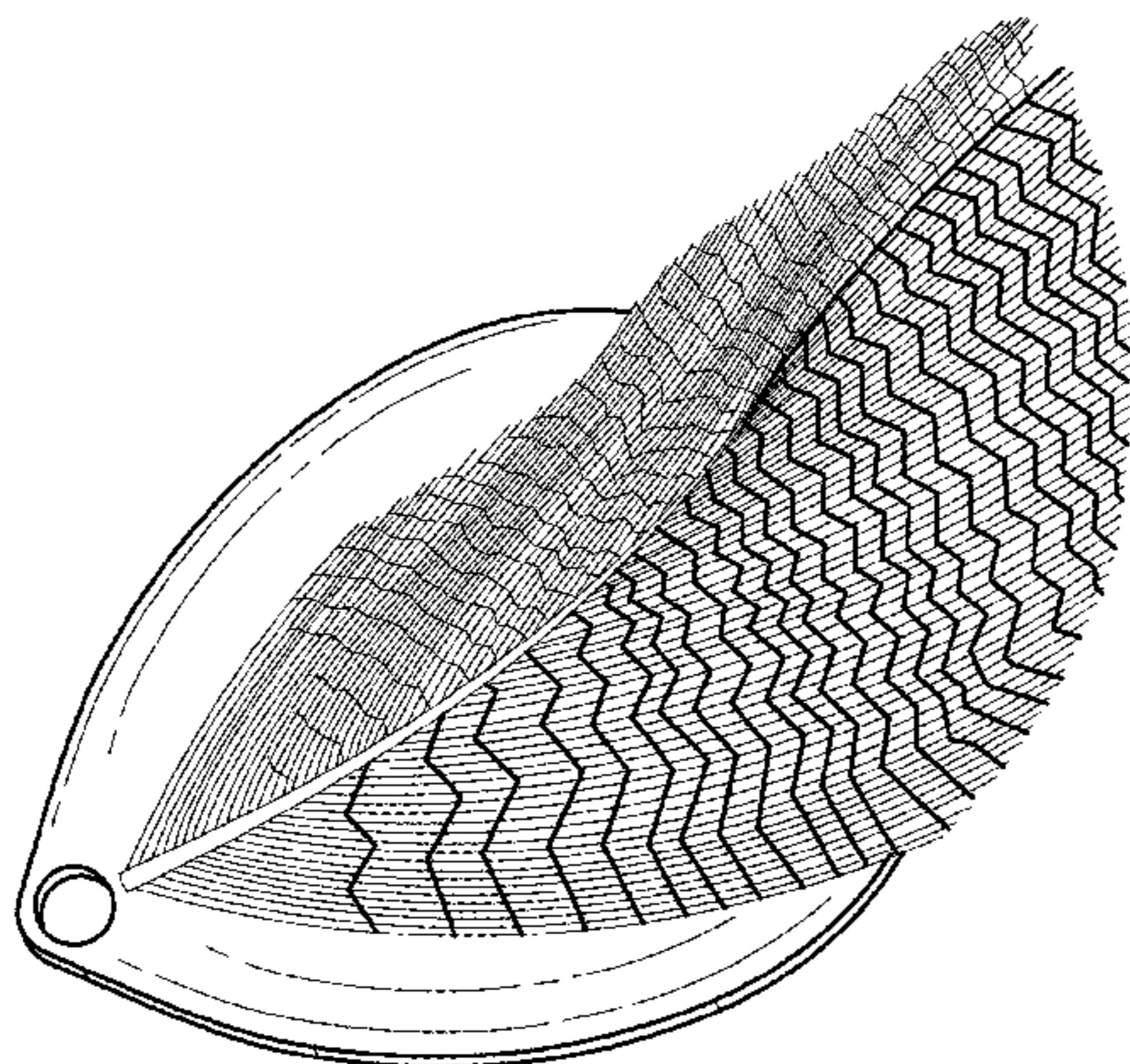
(57) **CLAIM**

The ornamental design for a fishing lure, as shown and described.

DESCRIPTION

FIG. 1 is a top perspective view of the fishing lure of the present invention;
FIG. 2 is a bottom perspective view of the fishing lure of the present invention;
FIG. 3 is a top plan view of the fishing lure of the present invention;
FIG. 4 is a bottom plan view of the fishing lure of the present invention;
FIG. 5 is a right side elevation view of the fishing lure of the present invention;
FIG. 6 is a left side elevation view of the fishing lure of the present invention;
FIG. 7 is a front elevation view of the fishing lure of the present invention; and,
FIG. 8 is a rear elevation view of the fishing lure of the present invention.

1 Claim, 4 Drawing Sheets



(56)

References Cited

U.S. PATENT DOCUMENTS

D74,497 S * 2/1928 Foster D22/128
 1,781,598 A * 11/1930 Peckinpaugh A01K 85/08
 43/42.25
 1,884,053 A * 10/1932 McGarraugh A01K 85/00
 43/42.28
 1,929,150 A * 10/1933 Peckinpaugh A01K 85/08
 43/42.27
 D107,408 S * 12/1937 Davenport 43/42.28
 2,178,301 A * 10/1939 Grant A01K 85/08
 43/42.25
 2,306,005 A * 12/1942 Milson A01K 85/08
 43/42.25
 2,532,961 A * 12/1950 Steen A01K 85/08
 43/42.15
 2,575,248 A * 11/1951 Verdelle A01K 85/08
 43/42.11
 2,778,144 A * 1/1957 Clyde A01K 85/00
 43/42.11
 2,793,461 A * 5/1957 Korte A01K 85/00
 43/42.28
 2,817,922 A * 12/1957 Takeshita A01K 85/00
 43/42.28
 2,909,862 A * 10/1959 Minnite A01K 85/08
 43/42.25
 2,938,294 A * 5/1960 Bachmann A01K 85/08
 43/42.27
 3,017,307 A * 1/1962 Halliburton A01K 85/00
 156/296
 3,093,923 A * 6/1963 Jackson A01K 85/00
 43/42.11
 3,142,928 A * 8/1964 Adams A01K 85/08
 43/42.42
 3,253,363 A * 5/1966 Steehn A01K 85/00
 43/42.13
 3,495,350 A * 2/1970 Lievense A01K 85/08
 43/42.25

3,769,738 A * 11/1973 Begley A01K 85/00
 43/42.26
 D235,442 S * 6/1975 Miller D22/128
 3,959,060 A * 5/1976 Jones A01K 85/00
 156/245
 3,990,171 A * 11/1976 Davis A01K 85/00
 43/42.17
 3,996,688 A * 12/1976 Hardwicke, III A01K 85/00
 43/42.09
 4,138,791 A * 2/1979 Anson A01K 85/00
 43/42.15
 4,858,367 A * 8/1989 Rabideau A01K 85/00
 43/42.25
 4,887,378 A * 12/1989 Sheehan A01K 85/00
 43/42.25
 4,908,975 A * 3/1990 Root A01K 85/00
 43/42.25
 5,953,848 A * 9/1999 Darnell A01K 95/005
 43/42.19
 7,658,032 B2 * 2/2010 Avery A01K 85/00
 43/42.11

OTHER PUBLICATIONS

“Piscifun Fly Fishing Flies.” Found online Oct. 2, 2018 at www.amazon.com. Page dated Jul. 27, 2016. Retrieved from URL: https://www.amazon.com/Piscifun-12pcs-Fishing-Butterfly-Floating/dp/B00MGJ14BW/ref=sr_1_5?ie=UTF8&qid=1538496706&sr=8-5&keywords=fly+fishing+lure (Year: 2016).*

“Booyah Moontalker Spinnerbait.” Found online Oct. 12, 2018 at www.amazon.com. Page dated Dec. 16, 2014. Retrieved from URL: <https://www.amazon.com/BOOYAH-BYMT38602-iPar-Moontalker-Spinnerbait/dp/B0082OC2NY> (Year: 2014).*

“Bucktail Dressed Treble Hook.” Found online Oct. 2, 2018 at www.rippn-lips.com. Page dated May 6, 2014. Retrieved from URL: https://www.rippn-lips.com/High_Quality_Bucktail_Dressed_Treble_Hook_p/dressedbucktail.htm (Year: 2014).*

* cited by examiner

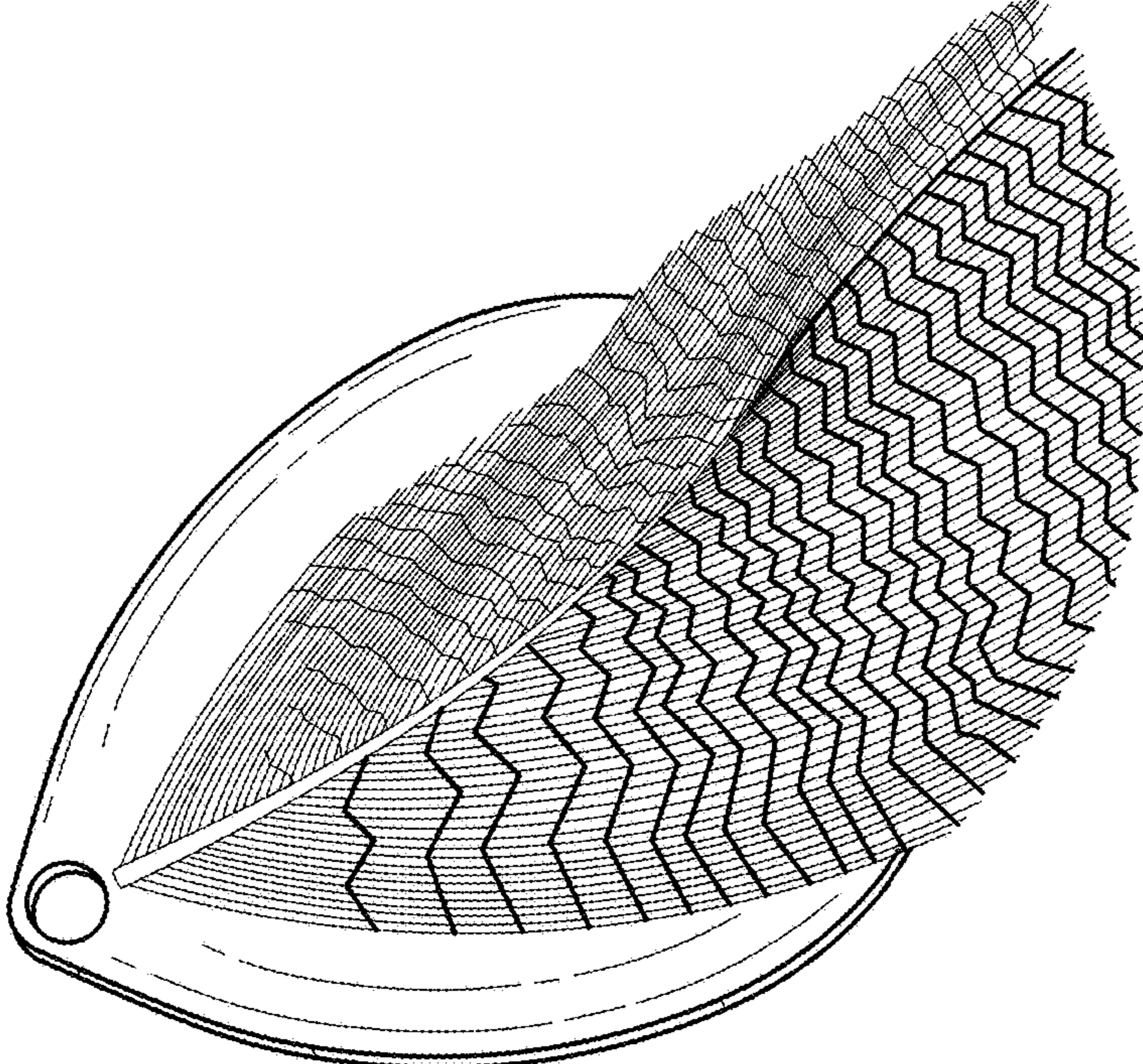


FIG. 1

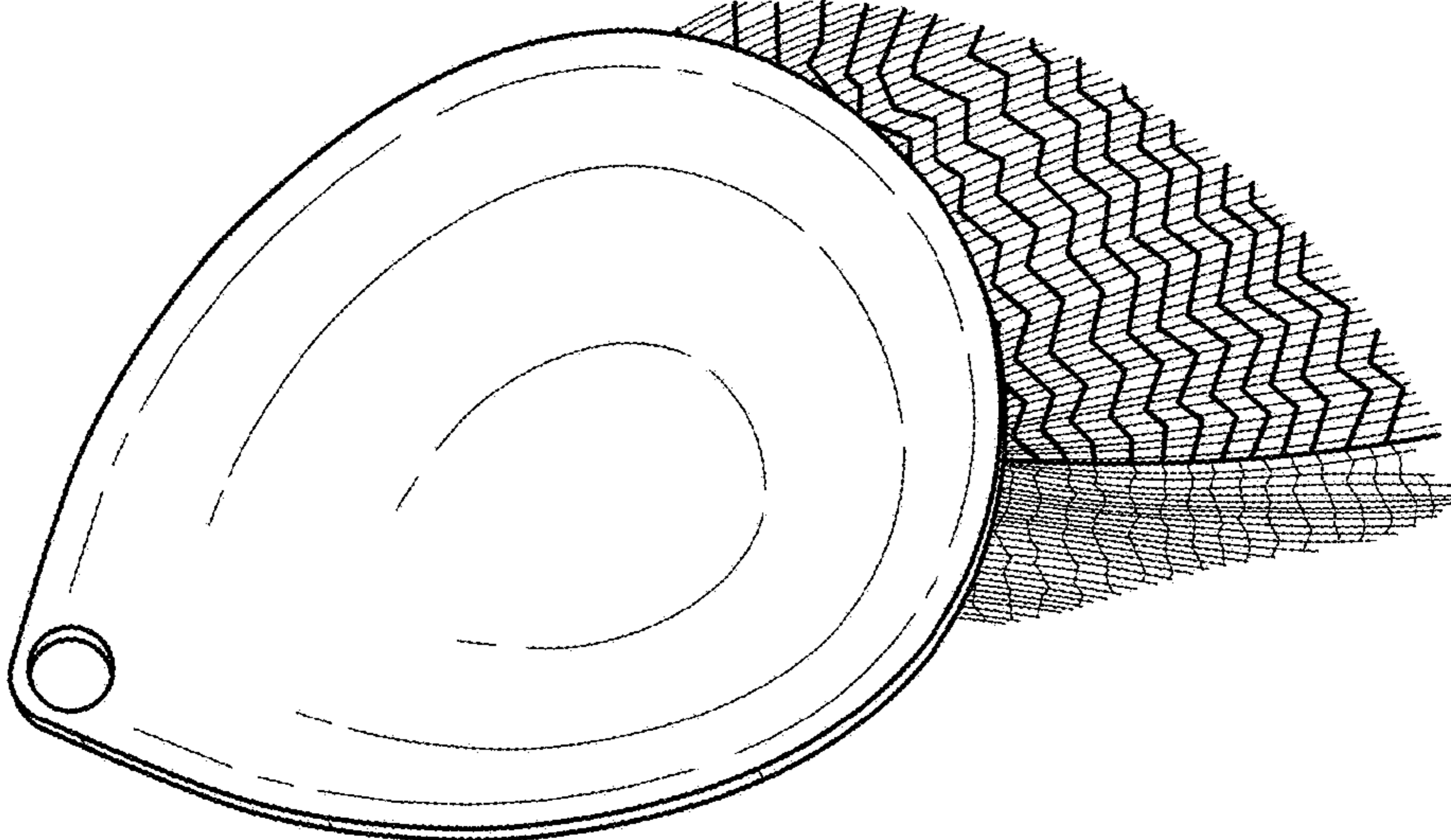


FIG. 2

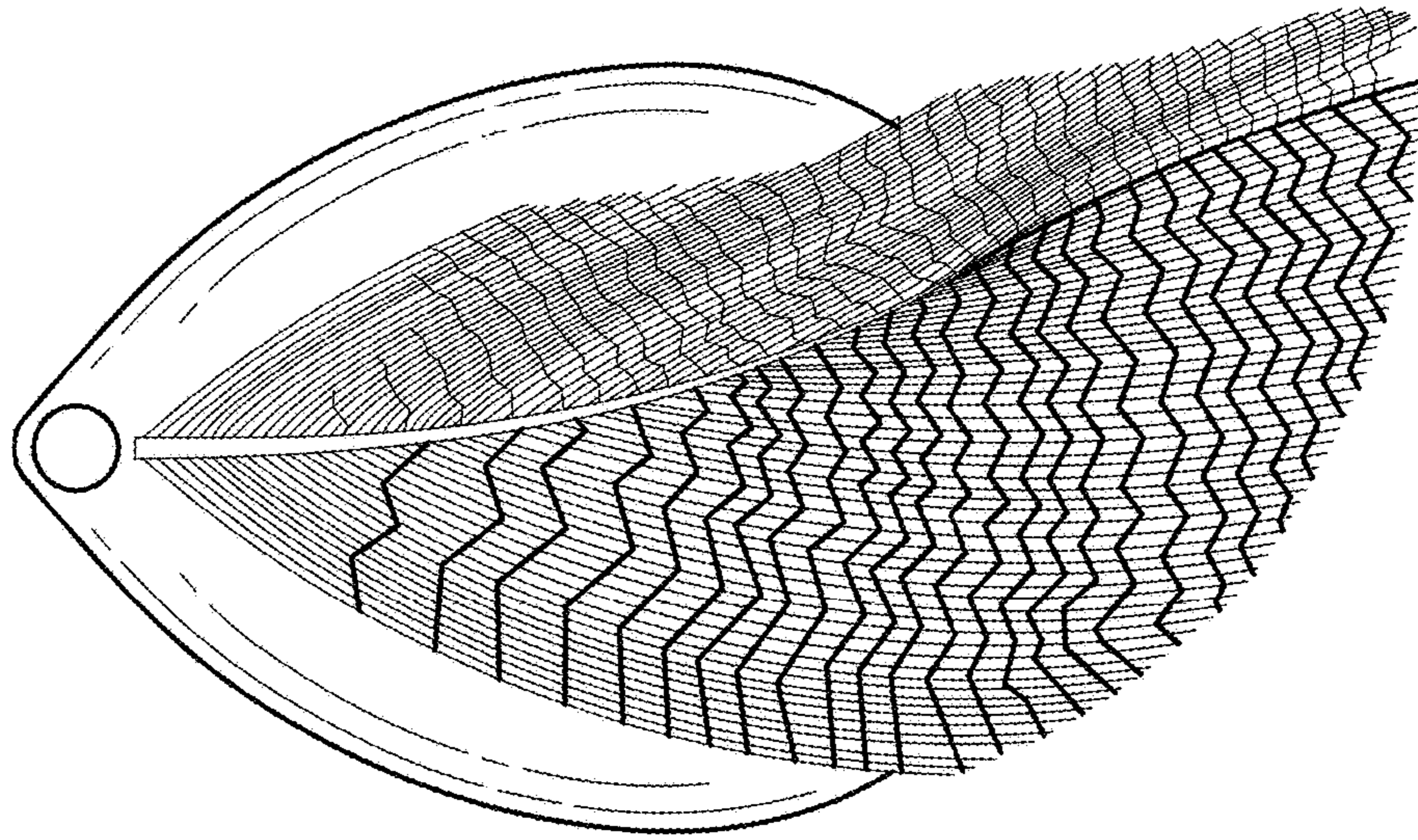


FIG. 3

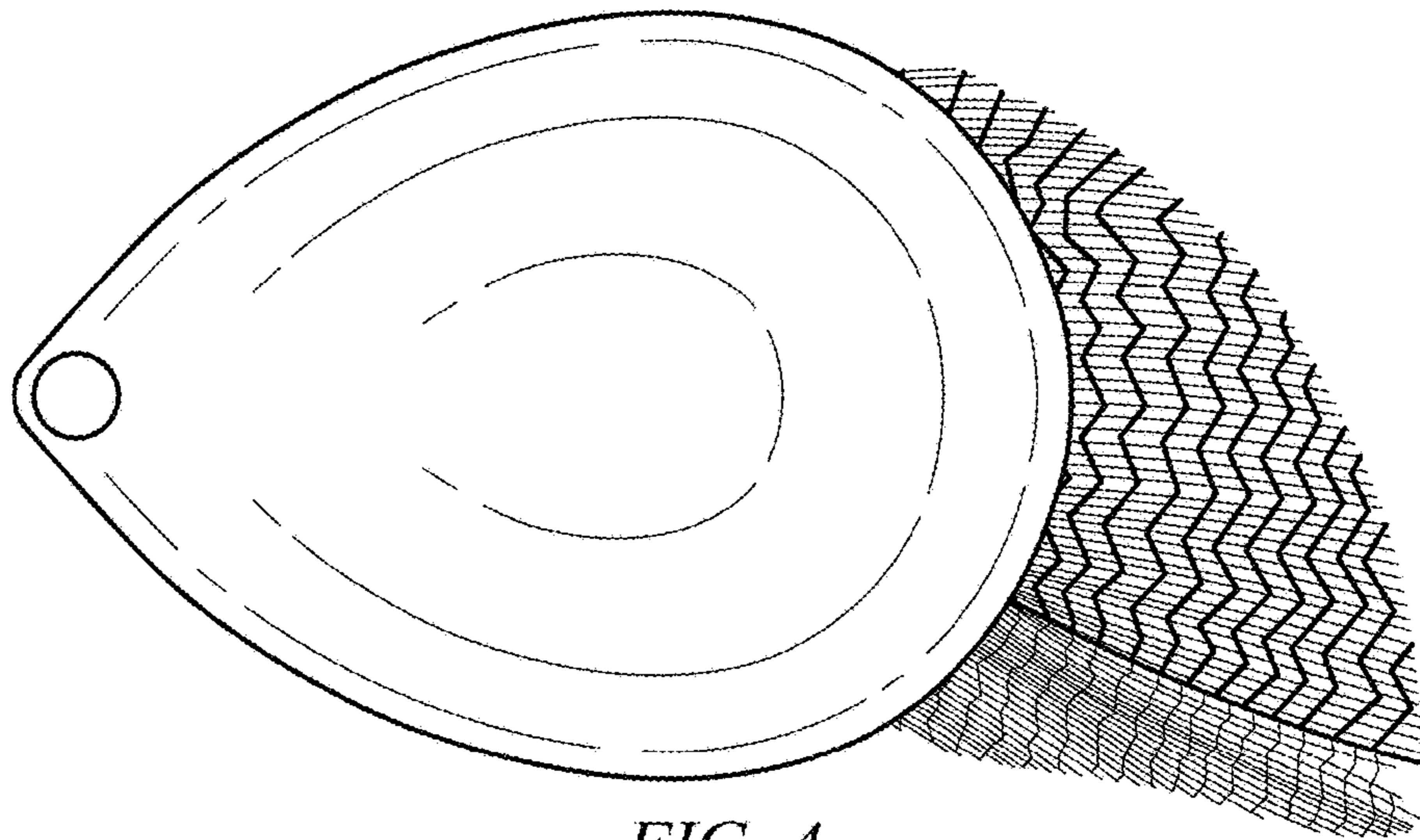


FIG. 4



FIG. 5



FIG. 6

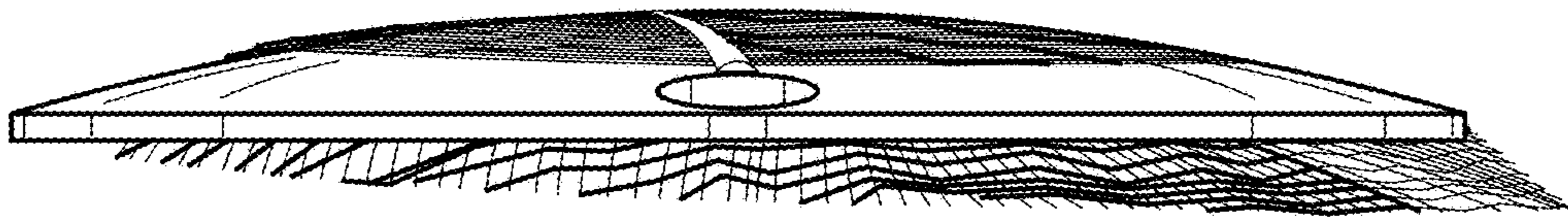


FIG. 7

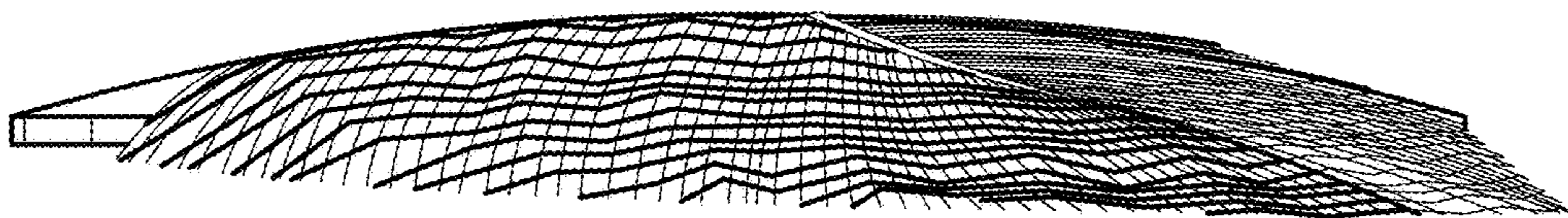


FIG. 8