



US00D855742S

(12) **United States Design Patent**
Yang

(10) **Patent No.:** **US D855,742 S**

(45) **Date of Patent:** **** *Aug. 6, 2019**

(54) **MOUSETRAP**
(71) Applicant: **Shouqiang Yang**, Dongguan (CN)
(72) Inventor: **Shouqiang Yang**, Dongguan (CN)
(*) Notice: This patent is subject to a terminal disclaimer.
(**) Term: **15 Years**

7,596,902 B2 * 10/2009 Han A01M 23/20
43/61
7,987,628 B2 * 8/2011 Le Laidier A01M 23/22
43/60
D660,394 S * 5/2012 Baker D22/119
8,839,550 B2 * 9/2014 Gardner A01M 23/00
43/60
9,374,993 B2 * 6/2016 Smith A01M 23/36
D802,080 S * 11/2017 Lo D22/119

* cited by examiner

Primary Examiner — Catherine R Oliver-Garcia

(21) Appl. No.: **29/615,752**
(22) Filed: **Aug. 31, 2017**
(51) **LOC (12) Cl.** **22-06**
(52) **U.S. Cl.**
USPC **D22/119**
(58) **Field of Classification Search**
USPC D22/119–124; 43/58, 60–61, 65–66, 70,
43/121, 124, 131, 132.1
CPC A01M 23/00; A01M 23/20; A01M 23/04;
A01M 25/004
See application file for complete search history.

(57) **CLAIM**

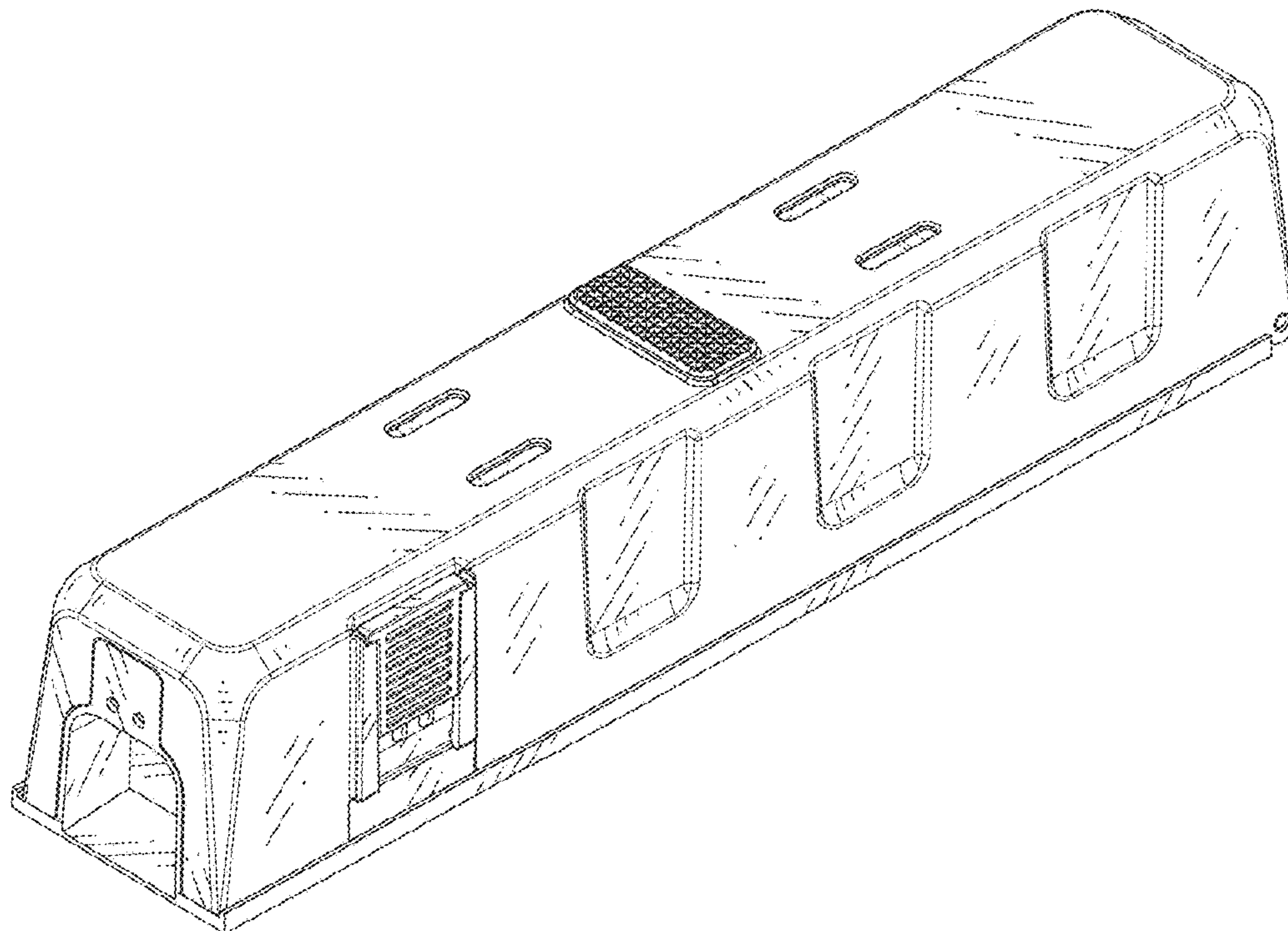
The ornamental design for a mousetrap, as shown and described.

DESCRIPTION

FIG. 1 is a perspective view of a mousetrap showing my new design;
FIG. 2 is a front elevational view thereof;
FIG. 3 is a rear elevational view thereof;
FIG. 4 is a left side elevational view thereof;
FIG. 5 is a right side elevational view thereof;
FIG. 6 is a top plan view thereof;
FIG. 7 is a bottom plan view thereof; and,
FIG. 8 is another perspective view thereof.
The broken lines depict environment in the Figures that is for the purpose of illustration and forms no part of the claimed design.

(56) **References Cited**
U.S. PATENT DOCUMENTS
960,170 A * 5/1910 Harman A01M 23/04
43/69
3,828,460 A * 8/1974 Herman A01M 23/08
43/61
D590,040 S * 4/2009 Jovic D22/119

1 Claim, 7 Drawing Sheets



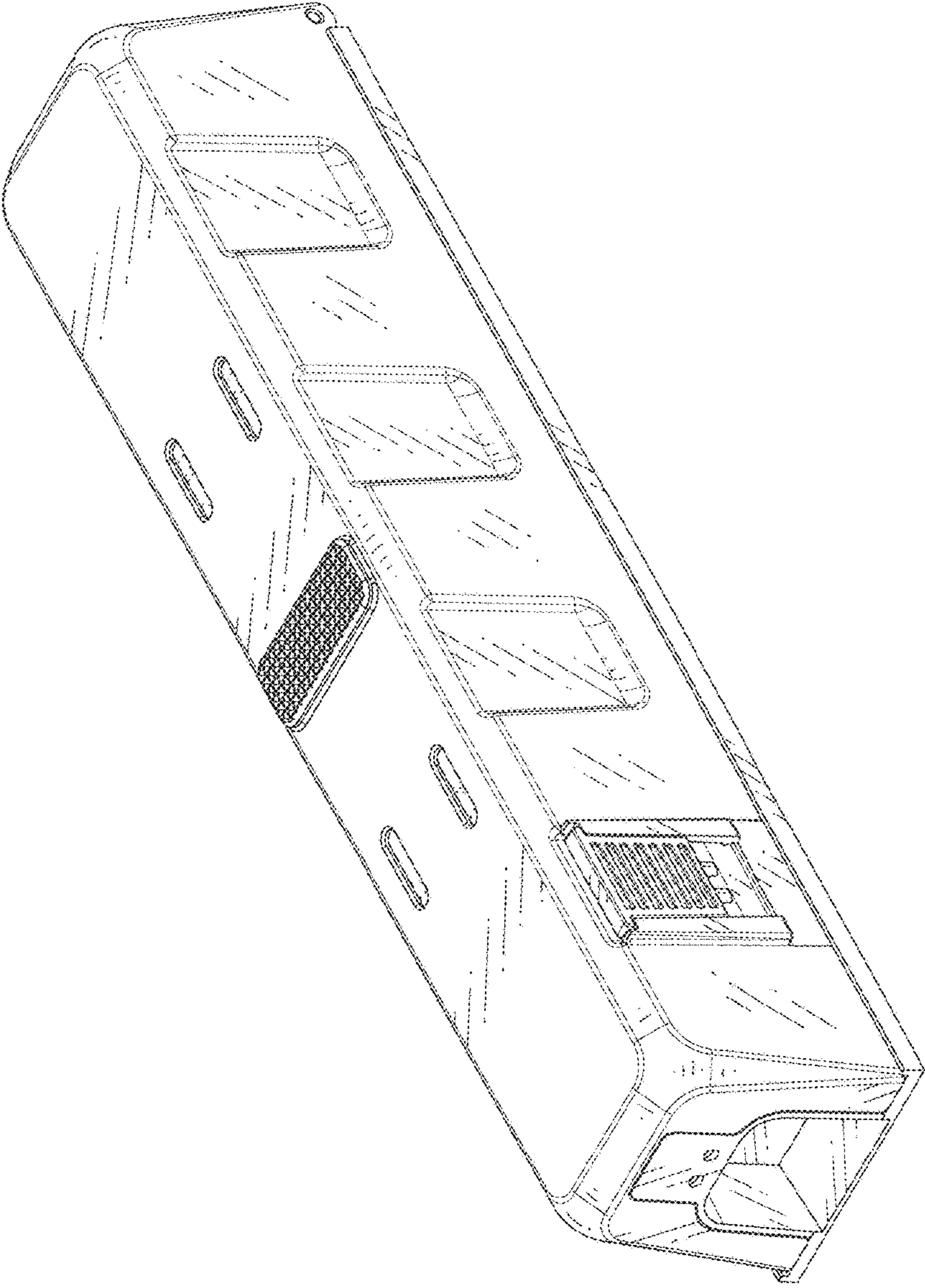


Fig. 1

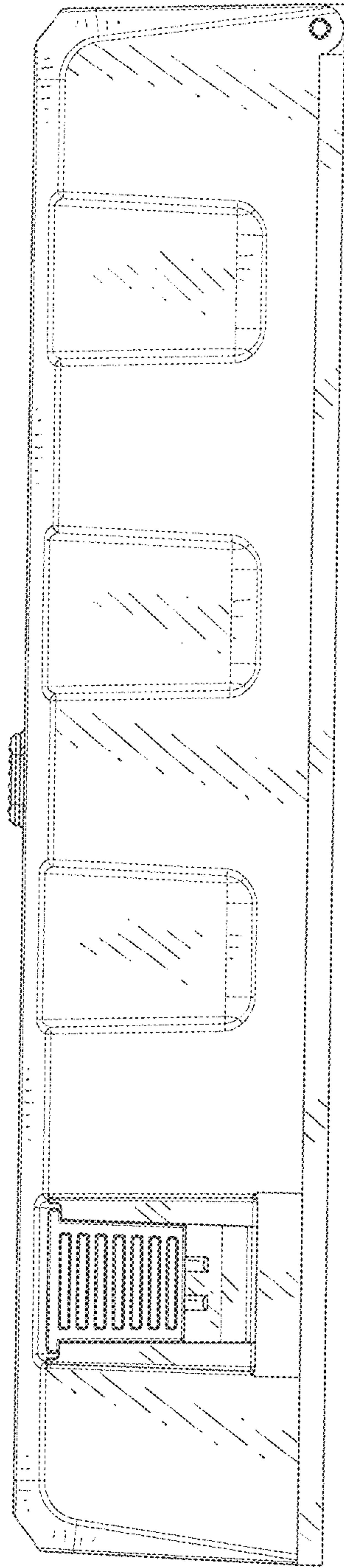


Fig.2

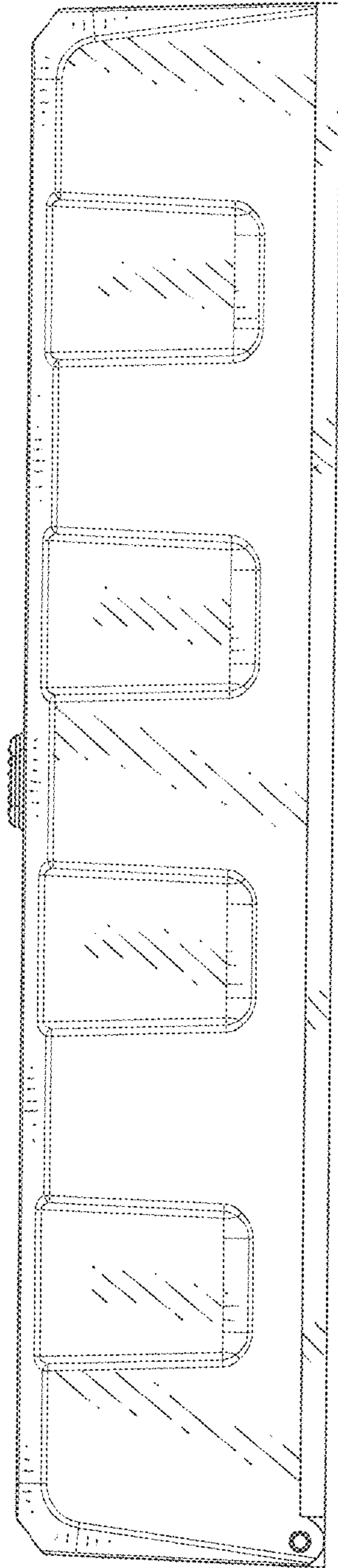


Fig. 3

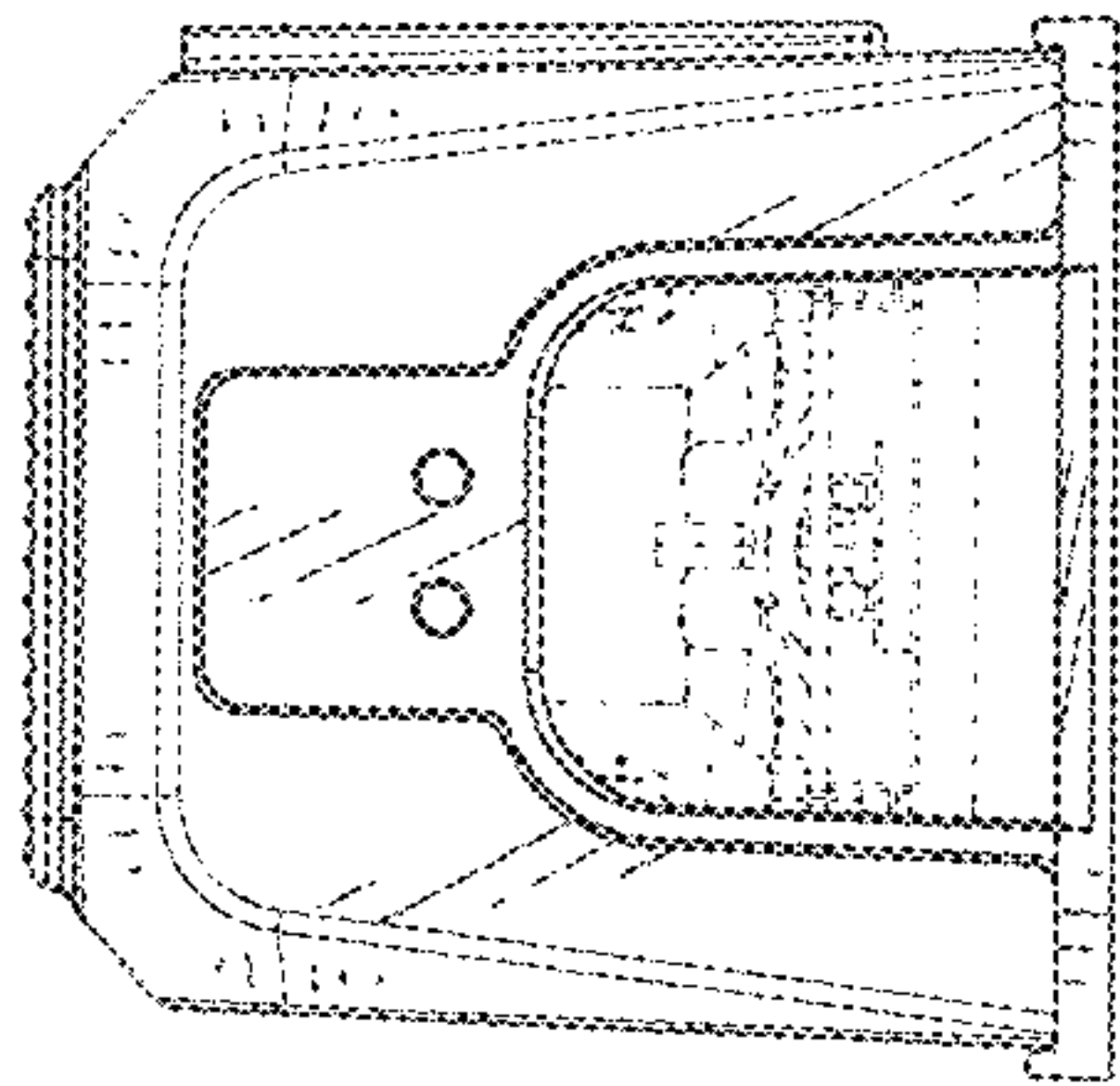


Fig. 4

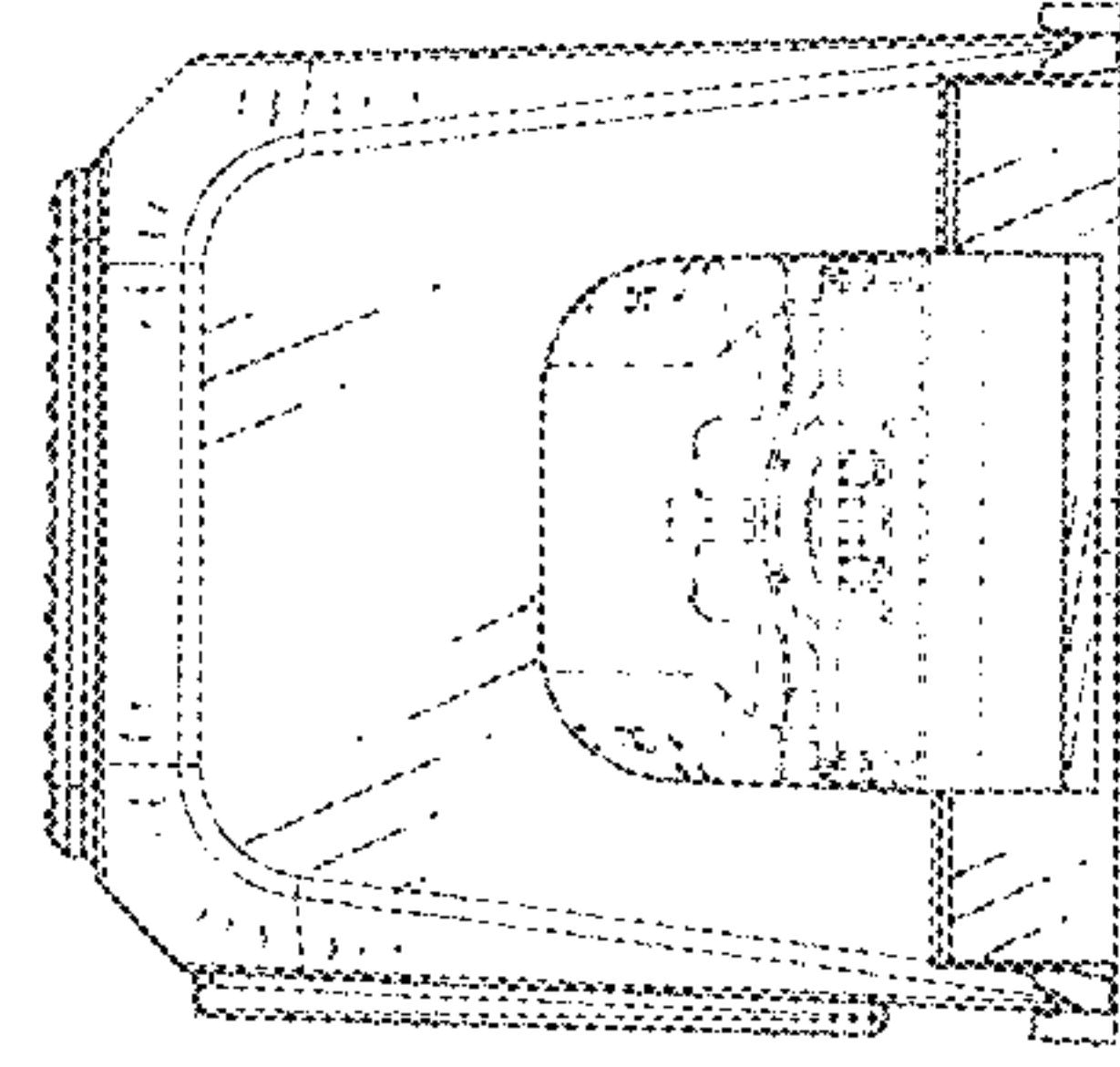


Fig. 5

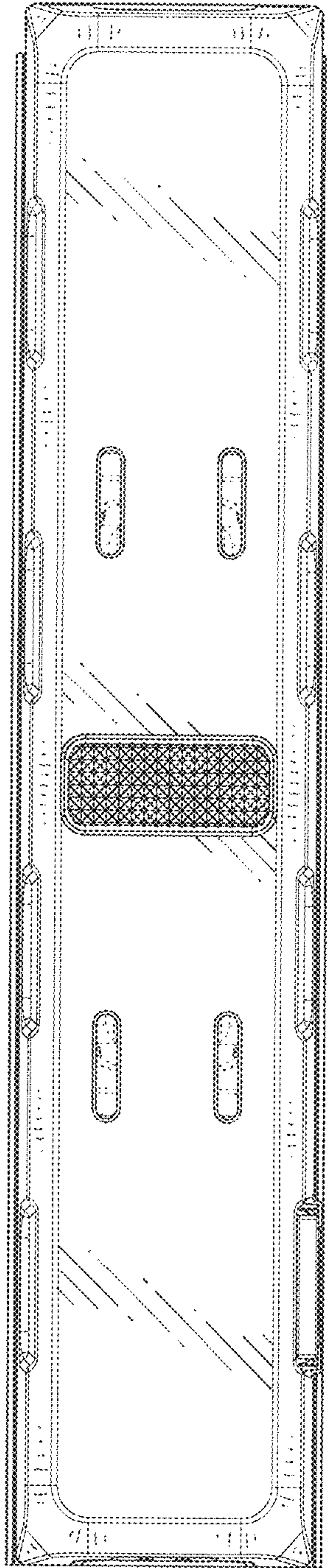


Fig. 6



Fig.7

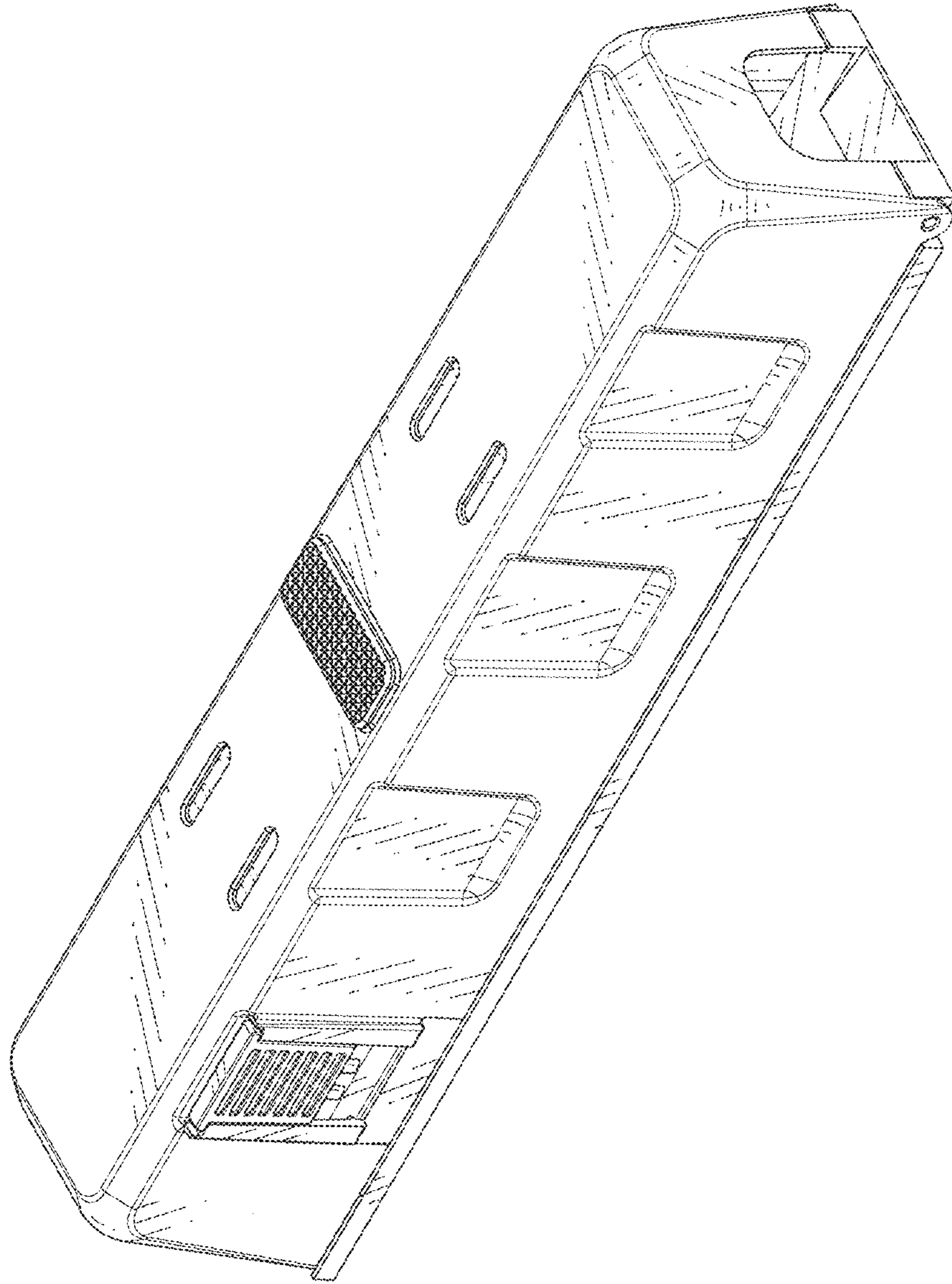


Fig. 8