



US00D855740S

(12) **United States Design Patent** (10) **Patent No.:** **US D855,740 S**
Doran (45) **Date of Patent:** **** Aug. 6, 2019**

(54) **LENS WITH RETICLE**
(71) Applicant: **Trijicon, Inc.**, Wixom, MI (US)
(72) Inventor: **Ian Doran**, Walled Lake, MI (US)
(73) Assignee: **Trijicon, Inc.**, Wixom, MI (US)
(**) Term: **15 Years**
(21) Appl. No.: **29/639,411**
(22) Filed: **Mar. 6, 2018**
(51) **LOC (12) Cl.** **22-01**
(52) **U.S. Cl.**
USPC **D22/109**
(58) **Field of Classification Search**
USPC D22/108, 109; D16/130-136; D14/404
CPC F41G 3/08; F41G 1/34
See application file for complete search history.

(56) **References Cited**

U.S. PATENT DOCUMENTS

D567,324 S *	4/2008	Pride	D22/109
D567,326 S *	4/2008	Pride	D22/109
D567,896 S *	4/2008	Pride	D22/109
D613,363 S *	4/2010	Huber	D22/109
D632,754 S *	2/2011	Pride	D22/109
D684,653 S *	6/2013	Smith	D22/109
D722,360 S *	2/2015	Pride	D22/109
D781,989 S *	3/2017	Pride	D16/136
D783,763 S *	4/2017	Pride	D16/136
D793,517 S *	8/2017	Pride	D16/136
2014/0059915 A1 *	3/2014	Sammur	F41G 1/38 42/122
2016/0169625 A1 *	6/2016	Richards	F41G 11/003 348/333.02

(Continued)

Primary Examiner — Karen S Acker
Assistant Examiner — Steven B Reinholdt, Jr.

(74) *Attorney, Agent, or Firm* — Harness, Dickey & Pierce, P.L.C.

(57) **CLAIM**

The ornamental design for a lens with reticle, as shown and described.

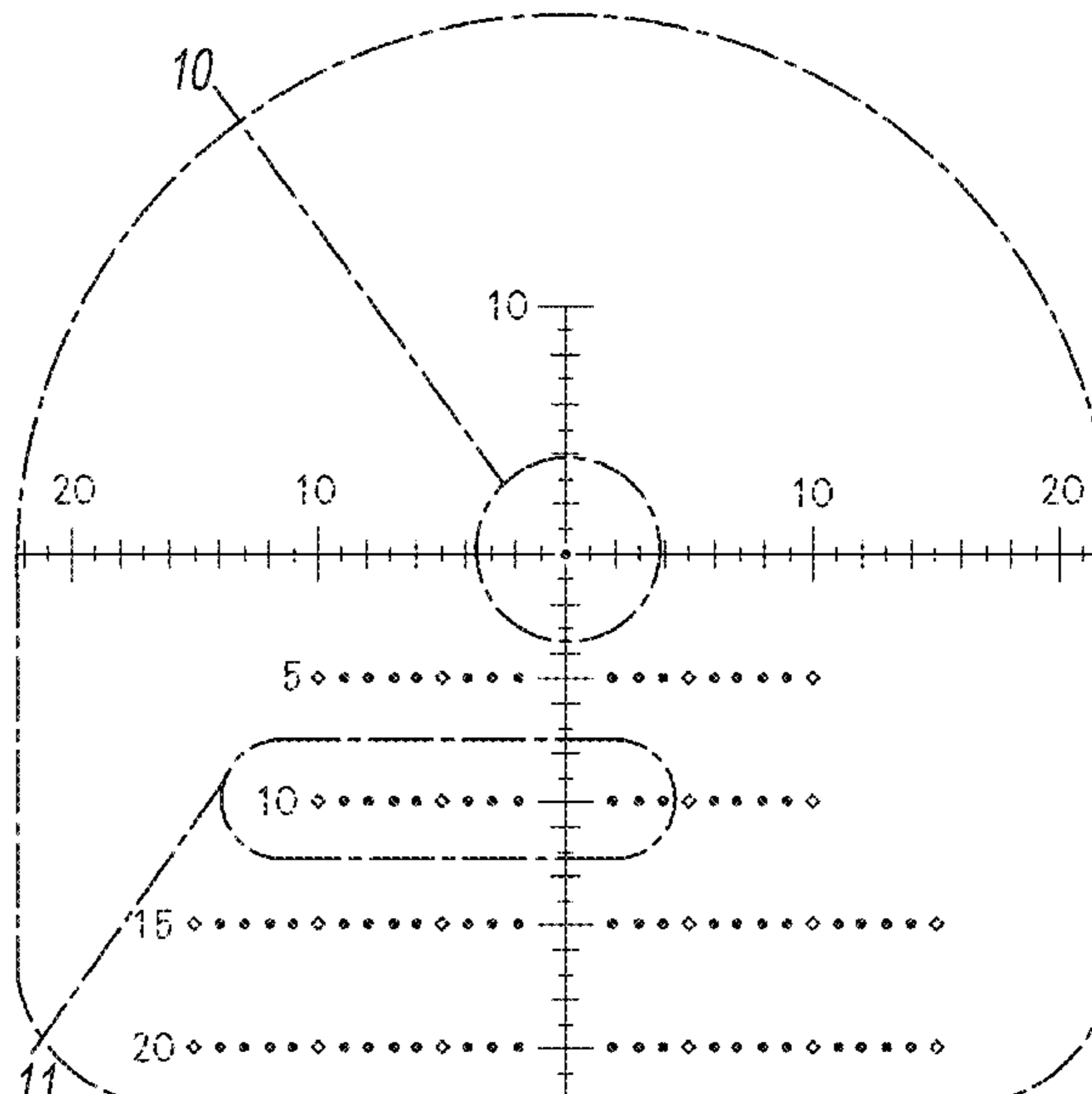
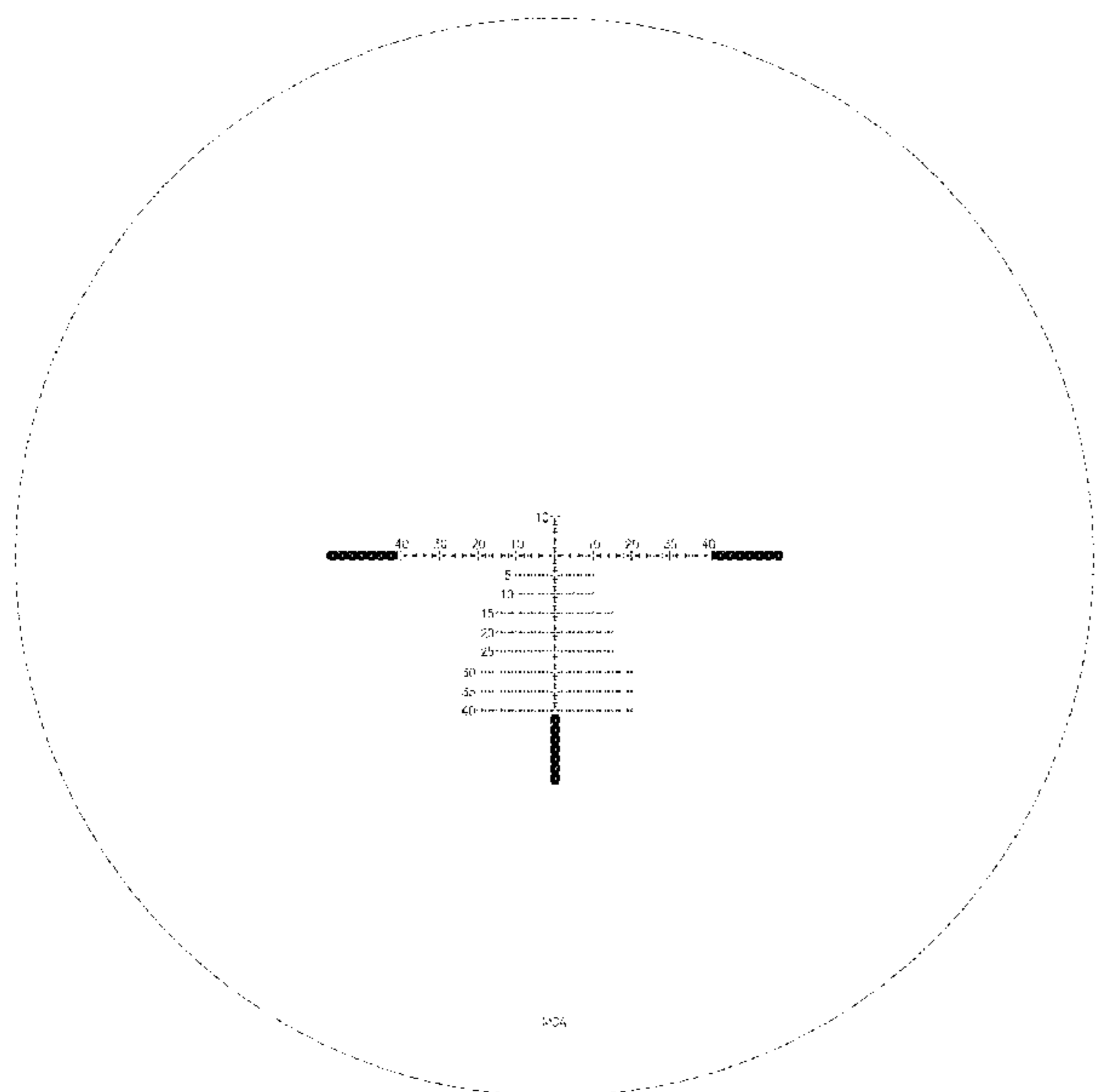
DESCRIPTION

FIG. 1 is a front elevation view of a lens with reticle in accordance with my new design;
FIG. 2 is a reference view thereof showing the areas indicating from where enlarged details are taken;
FIG. 3 is an enlarged detail view of area 3 circumscribed within FIG. 2;
FIG. 4 is an enlarged detail view of area 4 circumscribed within FIG. 3;
FIG. 5 is an enlarged detail view of area 5 circumscribed within FIG. 3;
FIG. 6 is an enlarged detail view of area 6 circumscribed within FIG. 2 of a second embodiment of the lens with reticle;
FIG. 7 is an enlarged detail view of area 7 circumscribed within FIG. 6;
FIG. 8 is an enlarged detail view of area 8 circumscribed within FIG. 6;
FIG. 9 is an enlarged detail view of area 9 circumscribed within FIG. 2 of a third embodiment of the lens with reticle;
FIG. 10 is an enlarged detail view of area 10 circumscribed within FIG. 9; and,
FIG. 11 is an enlarged detail view of area 11 circumscribed within FIG. 9.

The dot-dash-dot broken lines are enlargement frames and lead lines that form no part of the claim. The broken line surrounding each of FIGS. 1 and 2 depicts the boundary of the claim and forms no part thereof. The evenly spaced broken lines in FIGS. 1 and 2 depict that forms no part of the claimed design.

The evenly spaced broken lines in FIGS. 6-9 and 11 depict portions of the lens with reticle that form no part of the claimed design.

1 Claim, 8 Drawing Sheets



(56)

References Cited

U.S. PATENT DOCUMENTS

2016/0252325 A1* 9/2016 Sammut F41G 1/38
42/122
2018/0081192 A1* 3/2018 Qu G02B 27/32

* cited by examiner

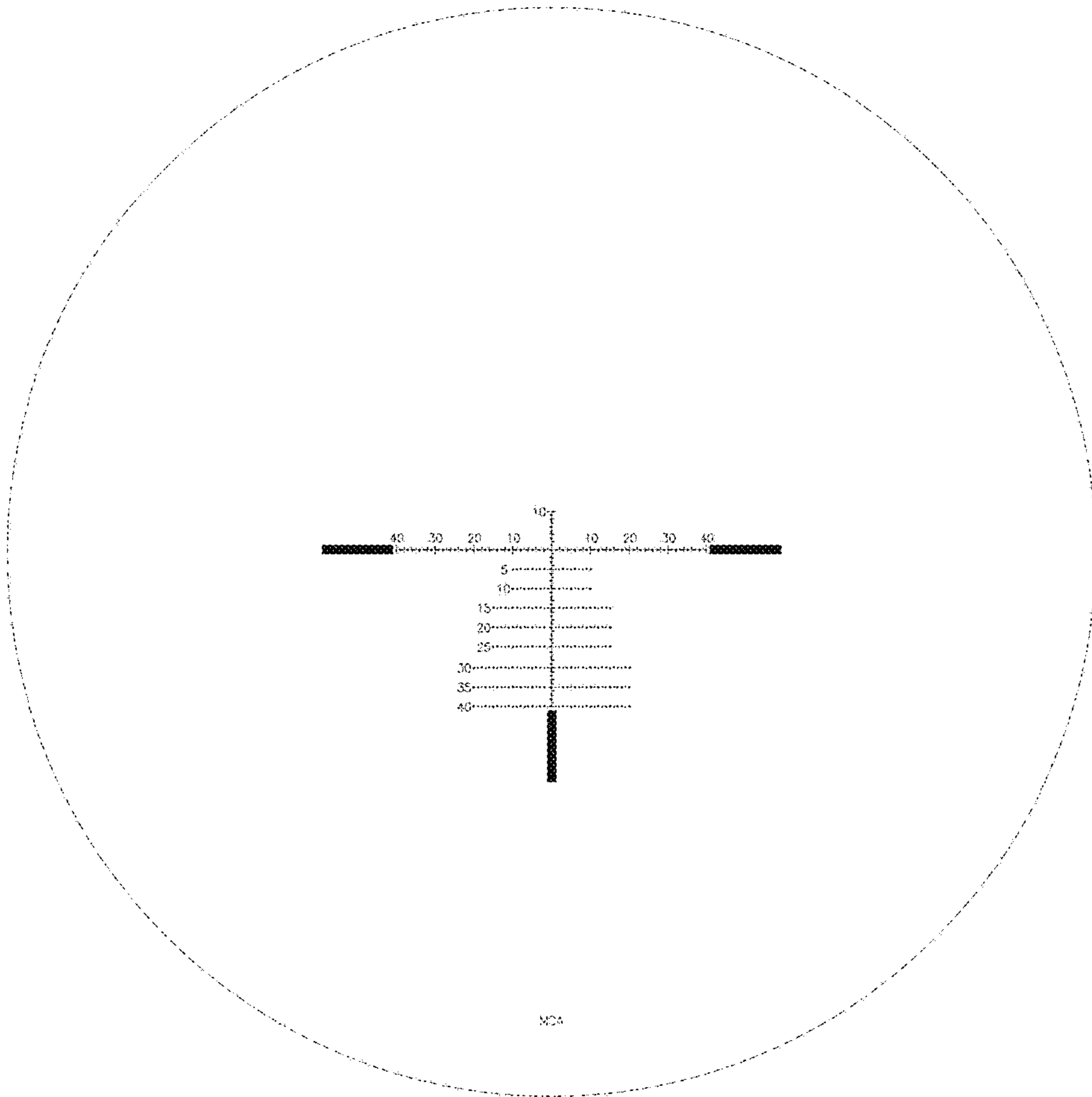


FIG - 1

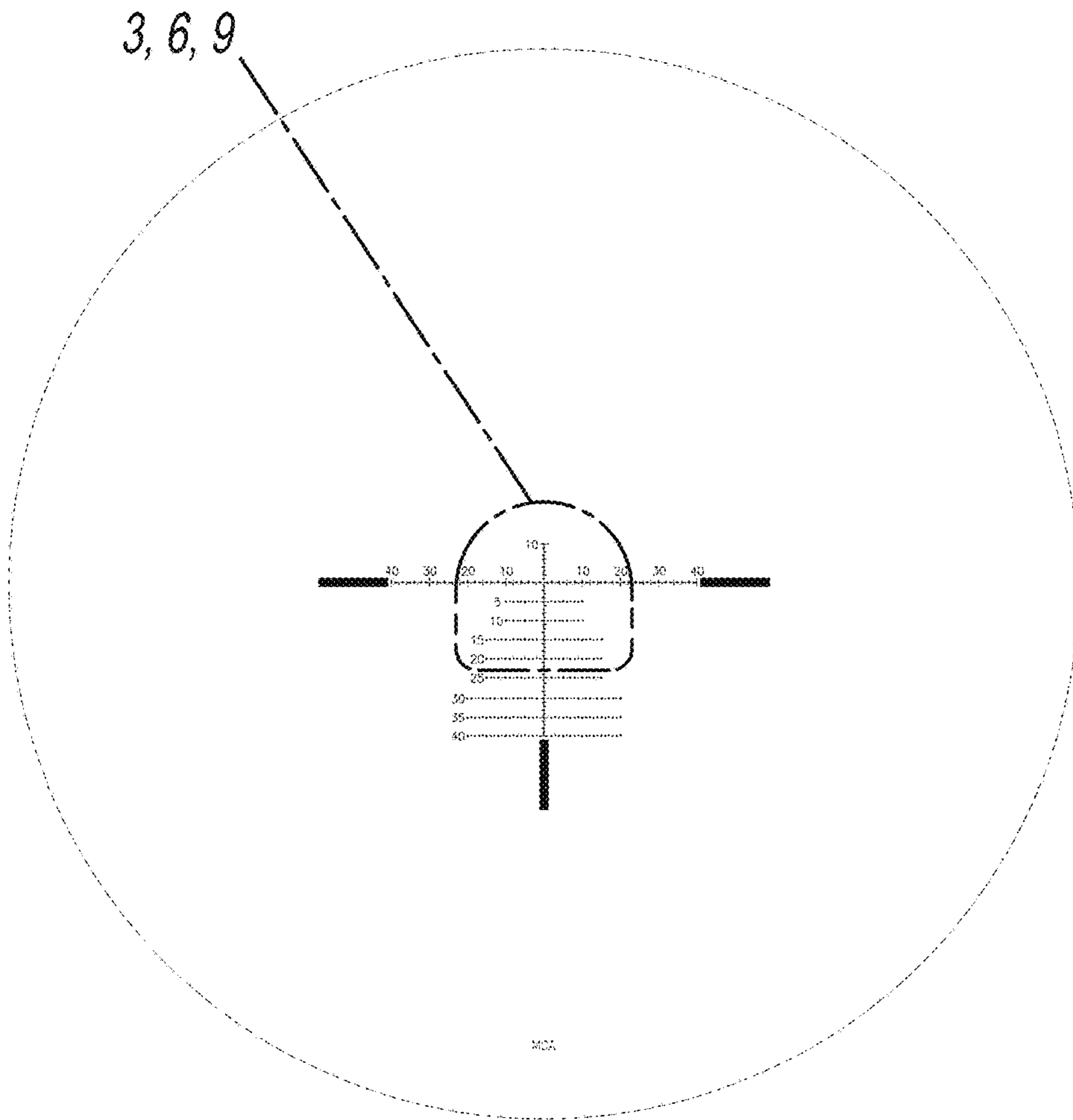


FIG - 2

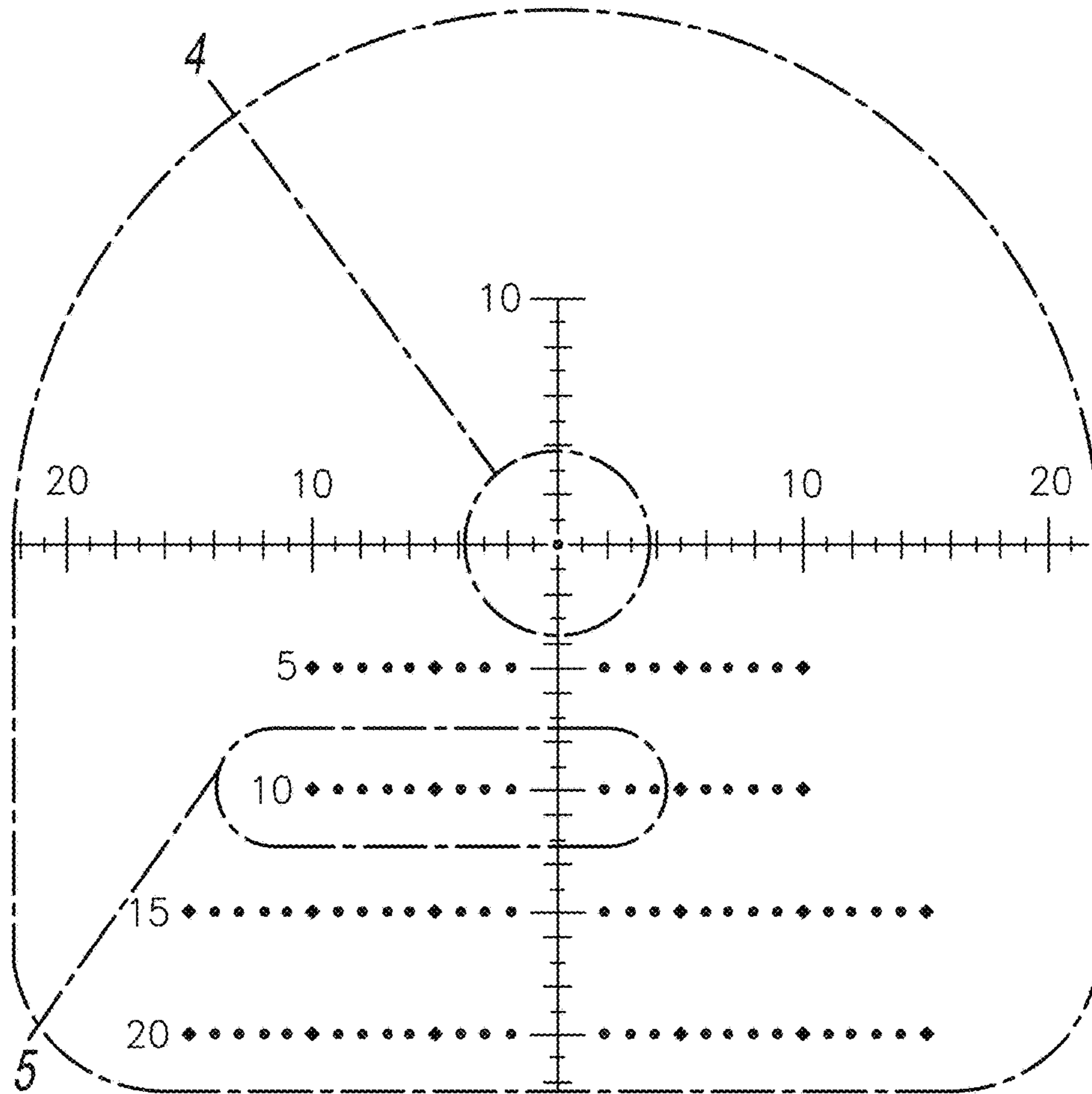


FIG - 3

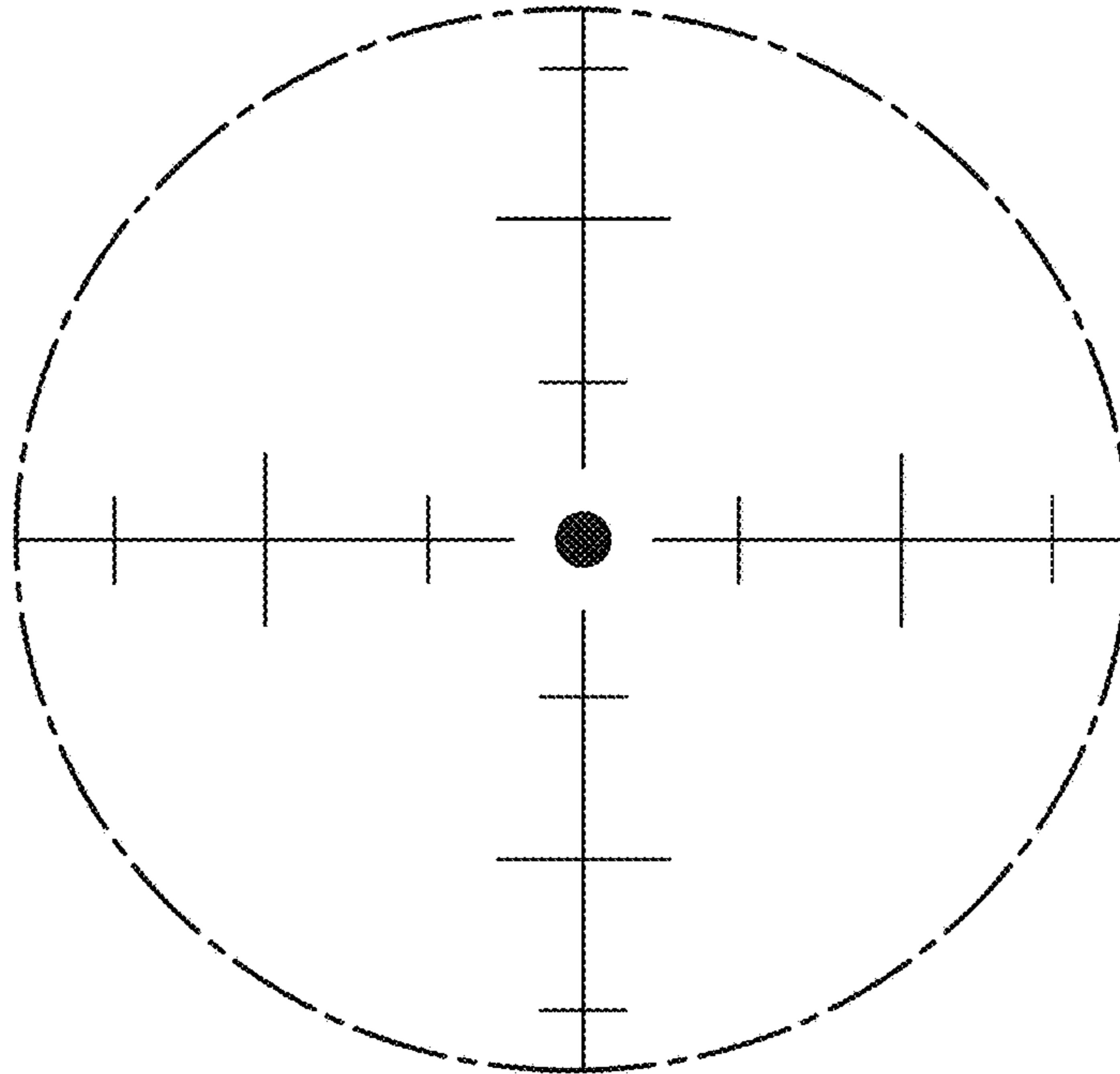


FIG - 4

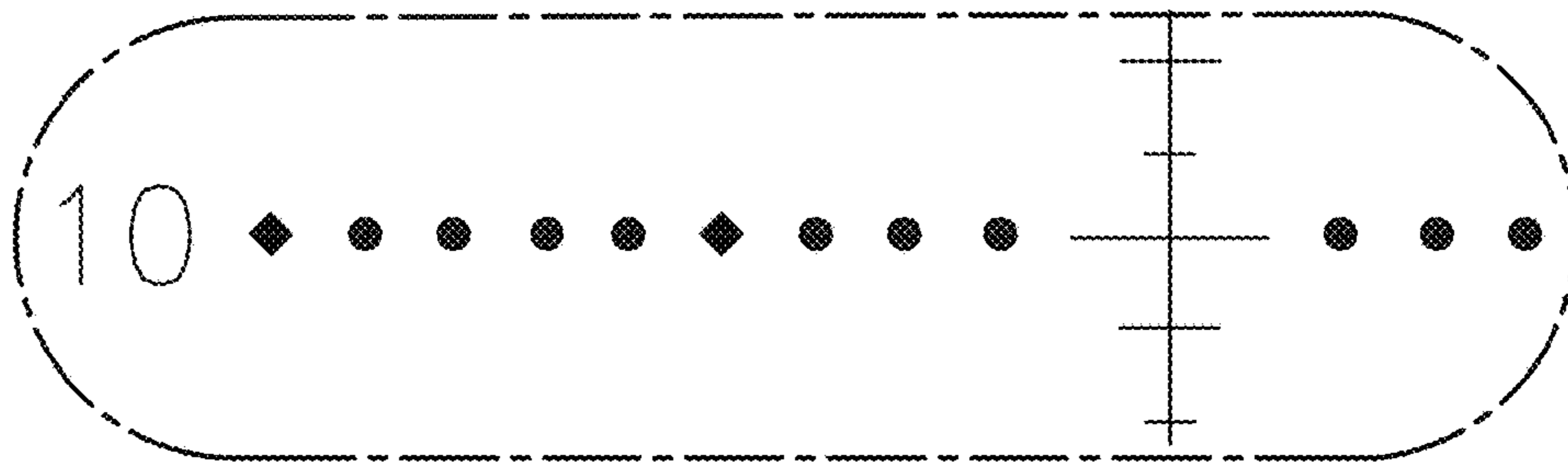


FIG - 5

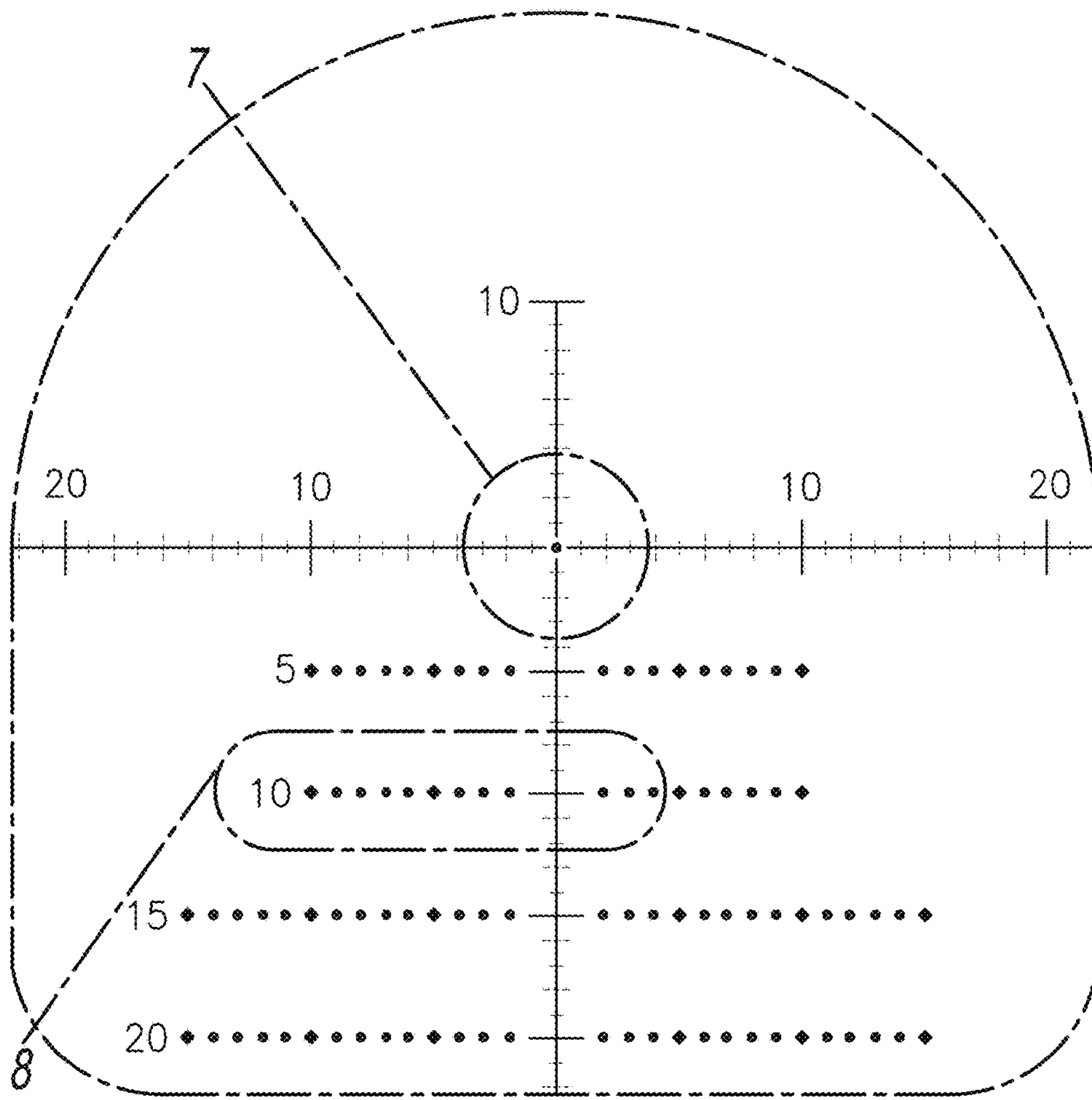


FIG - 6

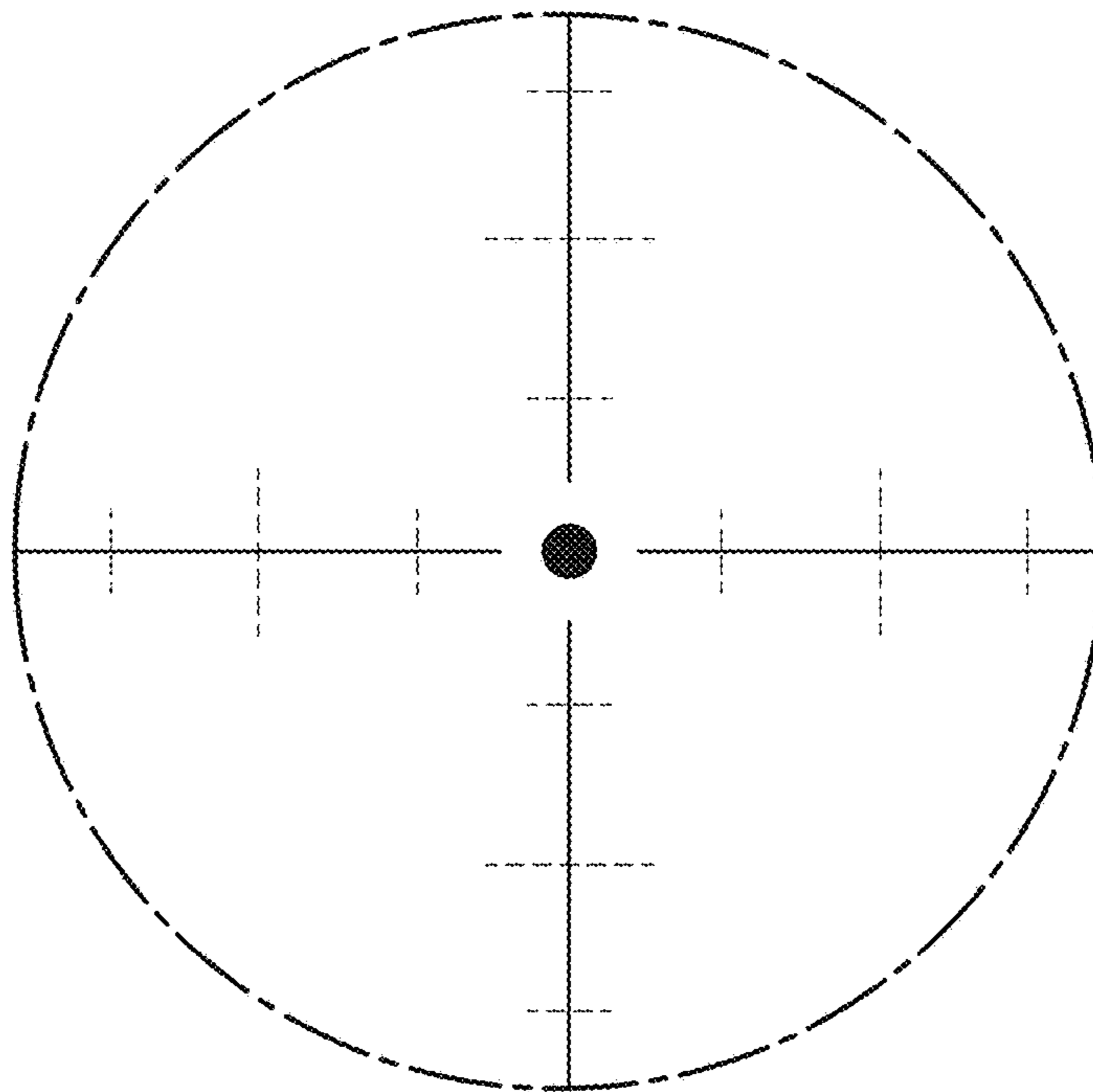


FIG - 7

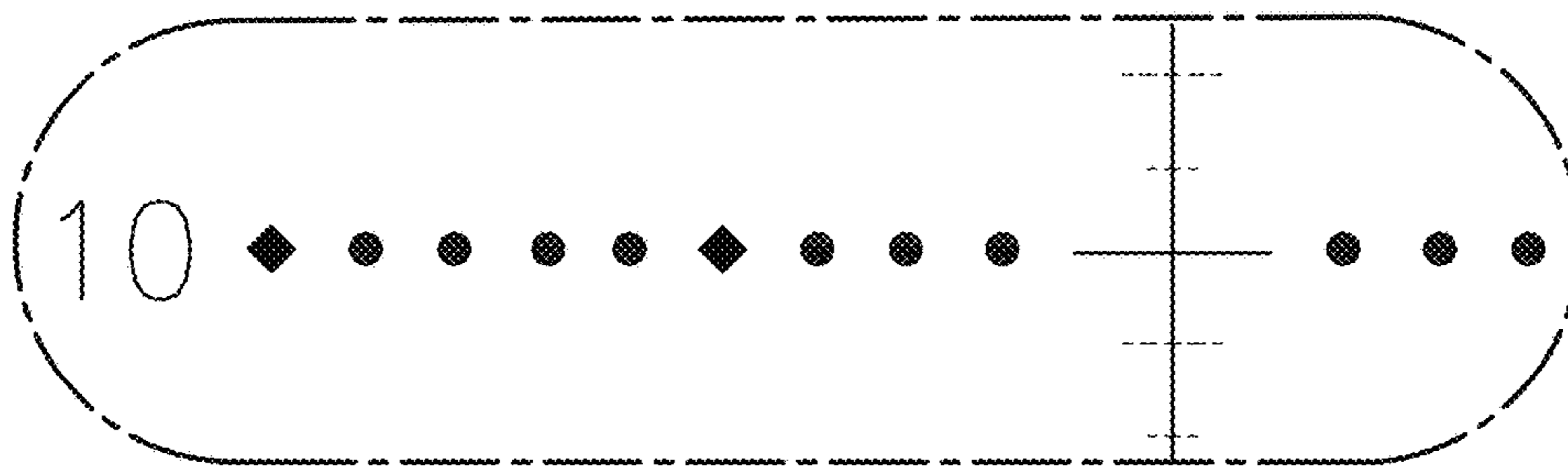


FIG - 8

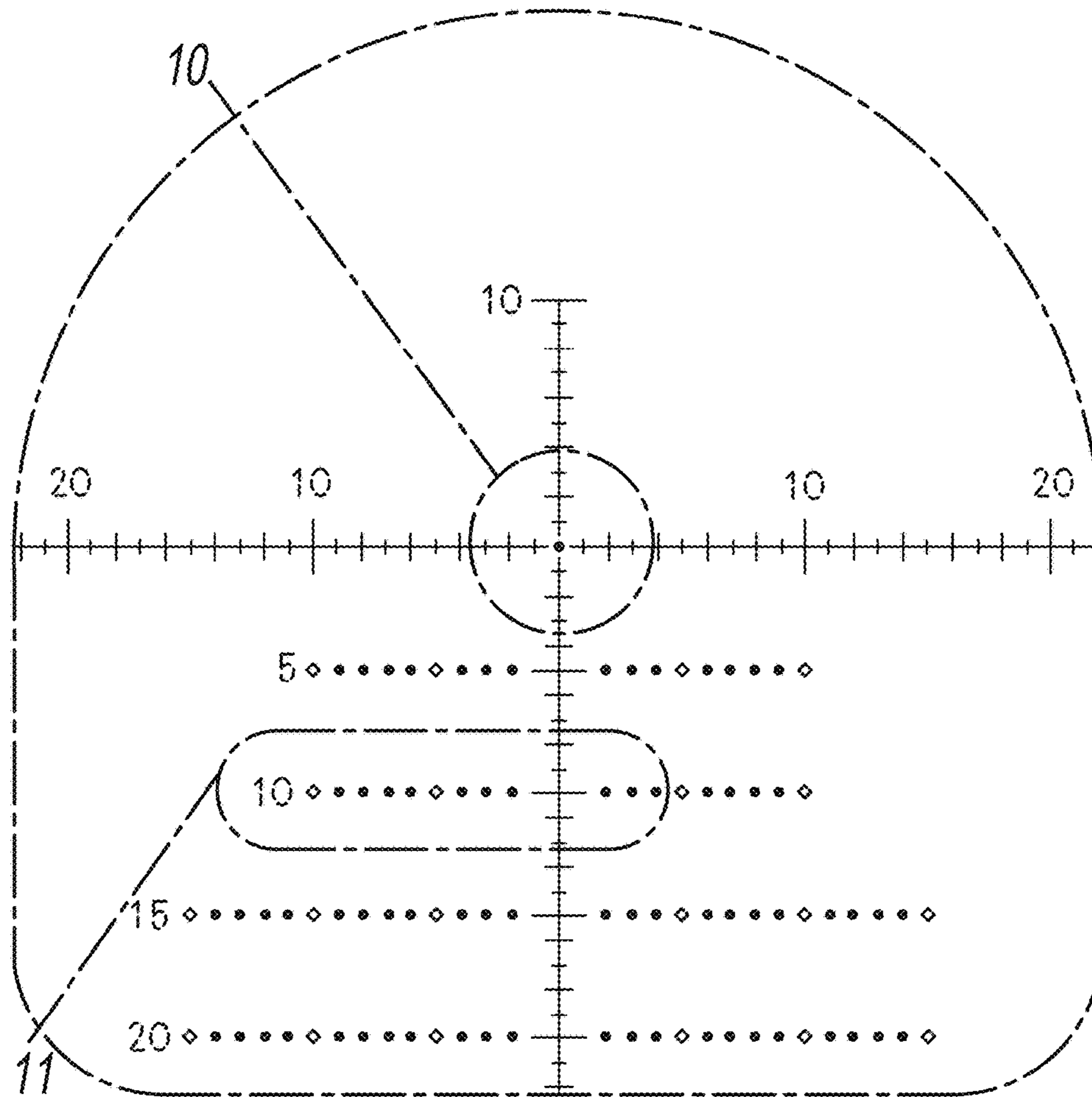


FIG - 9

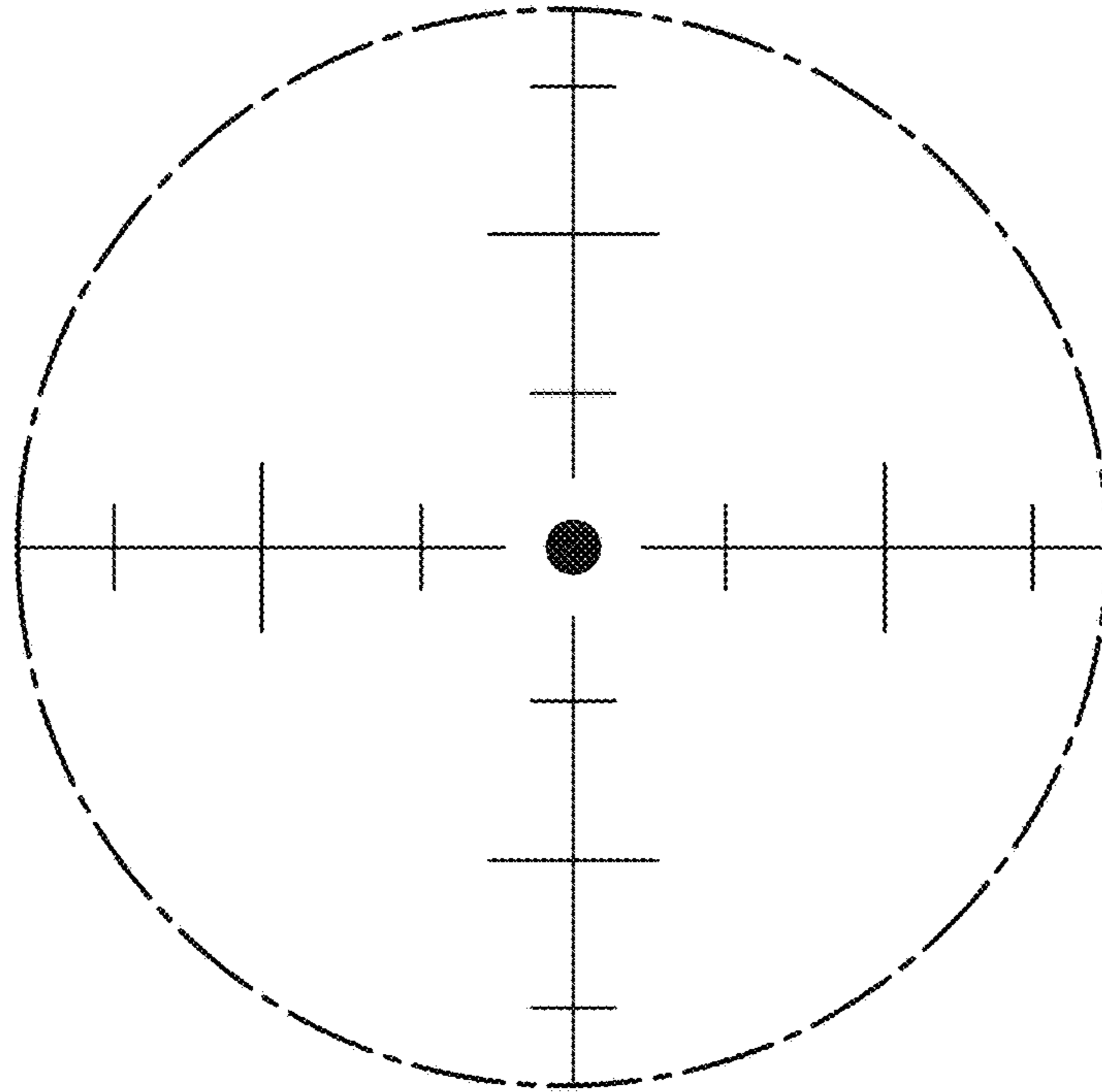


FIG - 10

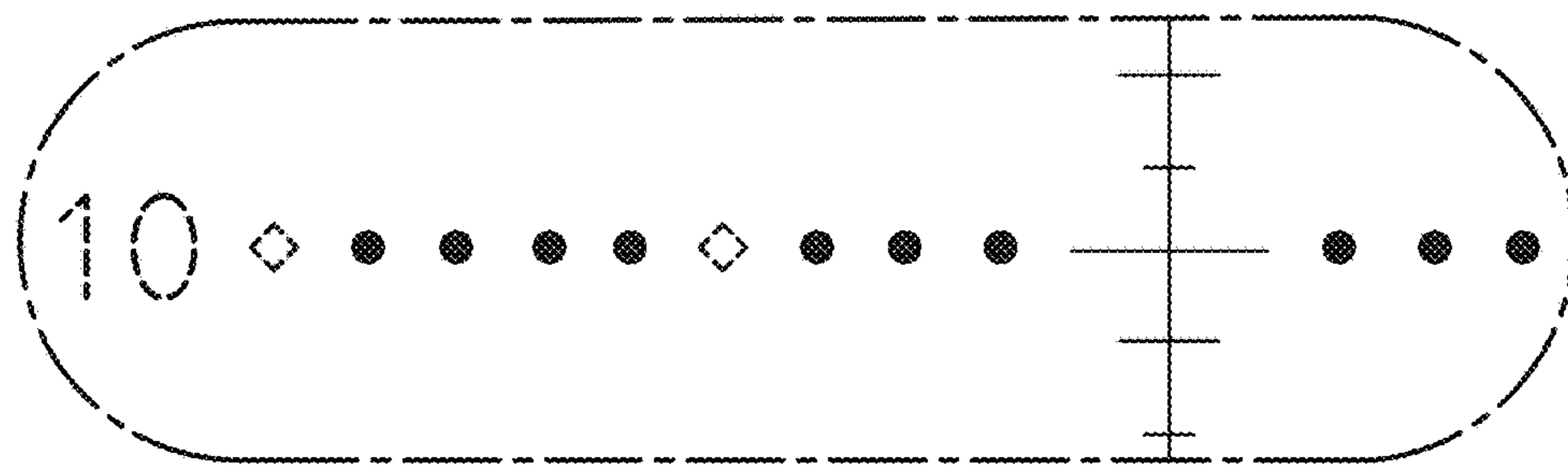


FIG - 11

UNITED STATES PATENT AND TRADEMARK OFFICE
CERTIFICATE OF CORRECTION

PATENT NO. : D855,740 S
APPLICATION NO. : 29/639411
DATED : August 6, 2019
INVENTOR(S) : Ian Doran

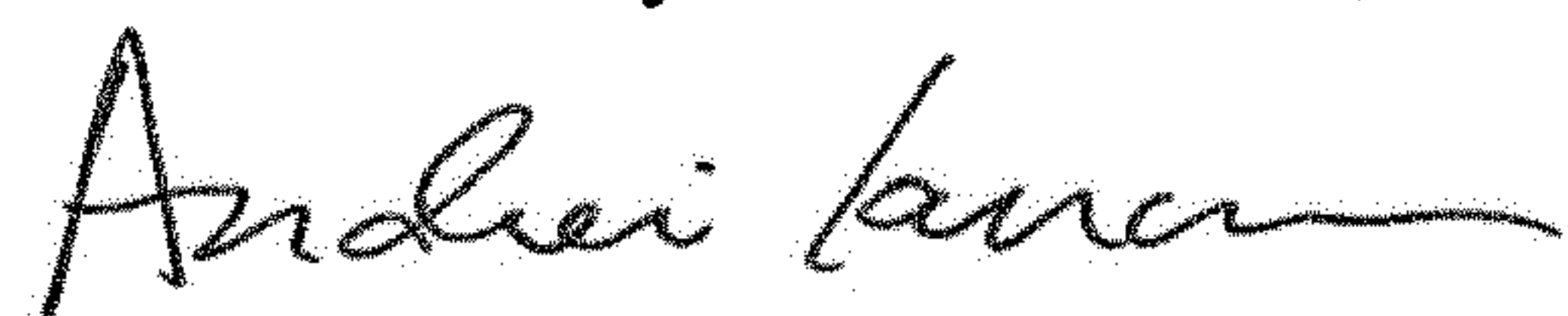
Page 1 of 1

It is certified that error appears in the above-identified patent and that said Letters Patent is hereby corrected as shown below:

On the Title Page

Line 28 under DESCRIPTION, after “depict” insert --text--.

Signed and Sealed this
Nineteenth Day of November, 2019



Andrei Iancu
Director of the United States Patent and Trademark Office