



US00D855737S

(12) **United States Design Patent** (10) **Patent No.:** **US D855,737 S**  
**Doran** (45) **Date of Patent:** **\*\* Aug. 6, 2019**

(54) **LENS WITH RETICLE**  
(71) Applicant: **Trijicon, Inc.**, Wixom, MI (US)  
(72) Inventor: **Ian Doran**, Walled Lake, MI (US)  
(73) Assignee: **Trijicon, Inc.**, Wixom, MI (US)  
(\*\*) Term: **15 Years**  
(21) Appl. No.: **29/639,382**  
(22) Filed: **Mar. 6, 2018**  
(51) **LOC (12) Cl.** ..... **22-01**  
(52) **U.S. Cl.**  
USPC ..... **D22/109**  
(58) **Field of Classification Search**  
USPC ..... D22/108, 109; D16/130–136; D14/404  
CPC ..... F41G 3/08; F41G 1/34  
See application file for complete search history.

(56) **References Cited**

**U.S. PATENT DOCUMENTS**

D567,324 S *	4/2008	Pride	.....	D22/109
D567,896 S *	4/2008	Pride	.....	D22/109
D722,360 S *	2/2015	Pride	.....	D22/109
D781,989 S *	3/2017	Pride	.....	D16/136
D783,113 S *	4/2017	Noller	.....	D22/109
D783,114 S *	4/2017	Noller	.....	D22/109
D783,115 S *	4/2017	Noller	.....	D22/109
D783,763 S *	4/2017	Pride	.....	D16/136
D793,517 S *	8/2017	Pride	.....	D16/136
D796,621 S *	9/2017	Walker	.....	D16/136
D805,156 S *	12/2017	Noller	.....	D22/109
2015/0276346 A1 *	10/2015	Hamilton	.....	F41G 1/473 42/123

(Continued)

*Primary Examiner* — Karen S Acker

*Assistant Examiner* — Steven B Reinholdt, Jr.

(74) *Attorney, Agent, or Firm* — Harness, Dickey & Pierce, P.L.C.

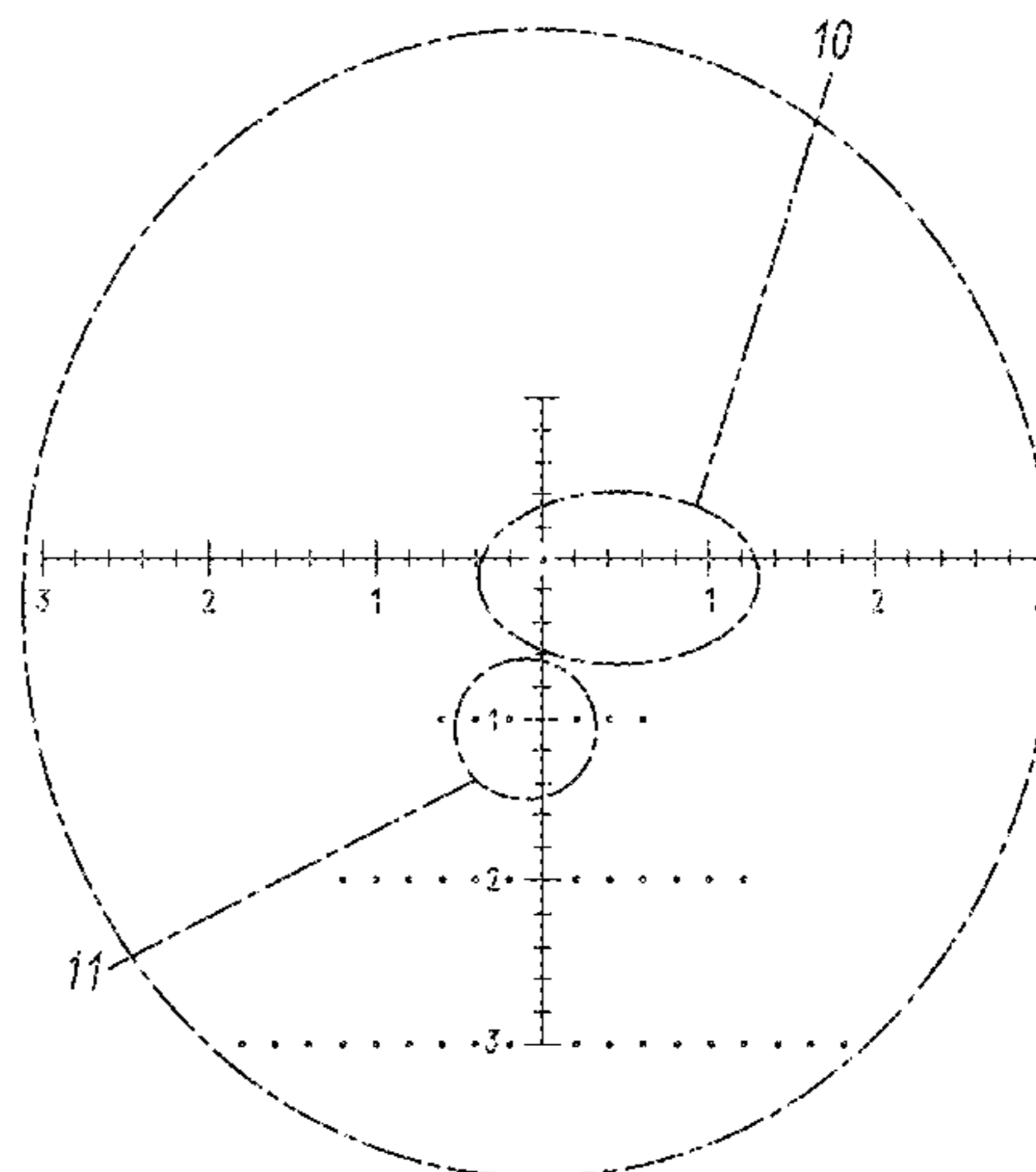
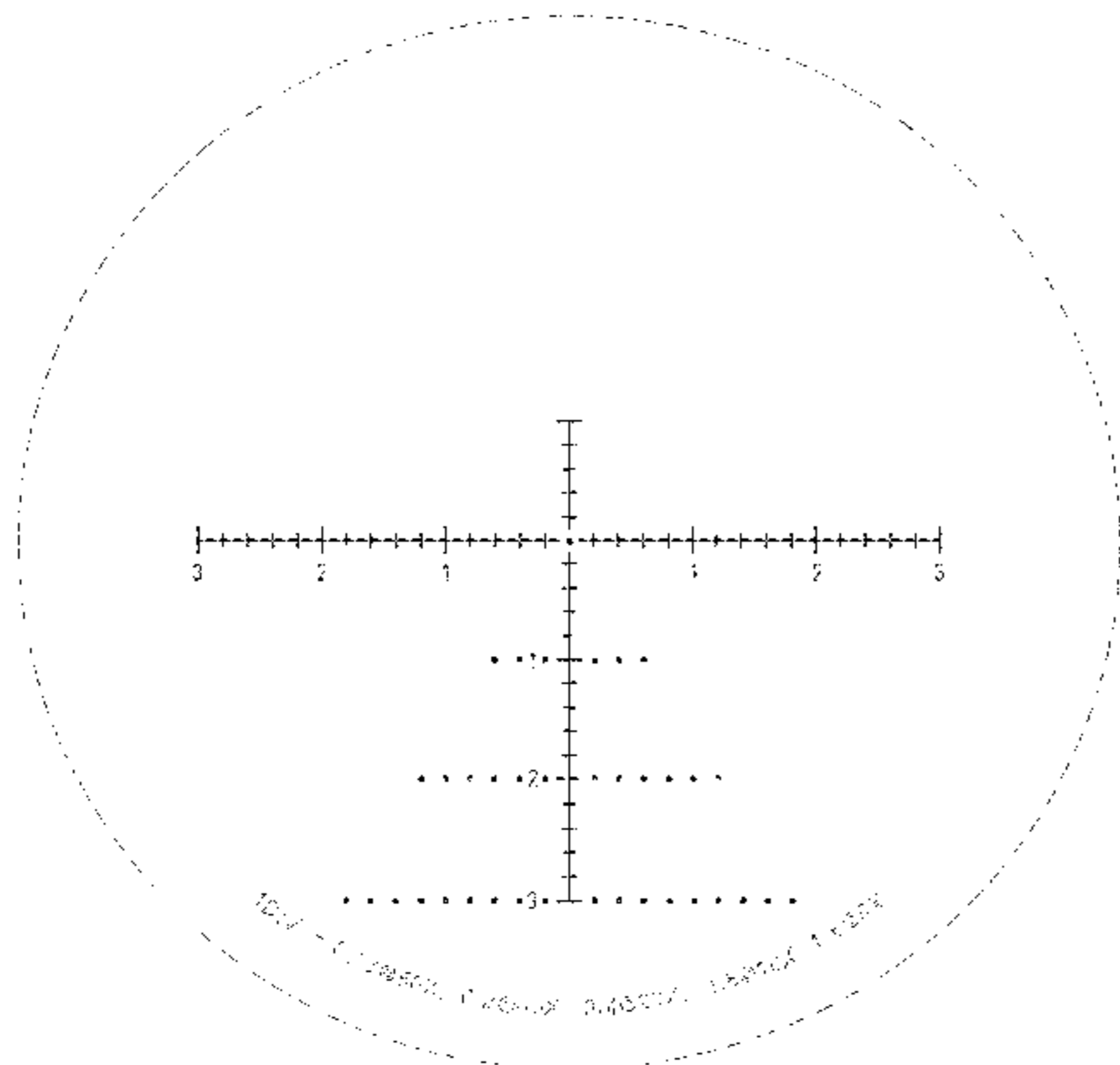
(57) **CLAIM**

The ornamental design for a lens with reticle, as shown and described.

**DESCRIPTION**

FIG. 1 is a front elevation view of a lens with reticle in accordance with my new design;  
FIG. 2 is a reference view thereof showing the areas indicating from where enlarged details are taken;  
FIG. 3 is an enlarged detail view of area 3 circumscribed within FIG. 2;  
FIG. 4 is an enlarged detail view of area 4 circumscribed within FIG. 3;  
FIG. 5 is an enlarged detail view of area 5 circumscribed within FIG. 3;  
FIG. 6 is an enlarged detail view of area 6 circumscribed within FIG. 2 of a second embodiment of the lens with reticle;  
FIG. 7 is an enlarged detail view of area 7 circumscribed within FIG. 6;  
FIG. 8 is an enlarged detail view of area 8 circumscribed within FIG. 6;  
FIG. 9 is an enlarged detail view of area 9 circumscribed within FIG. 2 of a third embodiment of the lens with reticle;  
FIG. 10 is an enlarged detail view of area 10 circumscribed within FIG. 9; and,  
FIG. 11 is an enlarged detail view of area 11 circumscribed within FIG. 9.  
The dot-dash-dot broken lines are enlargement frames and lead lines that form no part of the claim. The broken line surrounding each of FIGS. 1 and 2 depicts the boundary of the claim and forms no part thereof. The evenly spaced broken lines in FIGS. 1 and 2 depict text forms no part of the claimed design. The evenly spaced broken lines in FIGS. 5-11 depict portions of the lens with reticle that form no part of the claimed design.

**1 Claim, 8 Drawing Sheets**



(56)

**References Cited**

U.S. PATENT DOCUMENTS

2016/0252325 A1\* 9/2016 Sammut ..... F41G 1/38  
42/122  
2018/0081192 A1\* 3/2018 Qu ..... G02B 27/32

\* cited by examiner

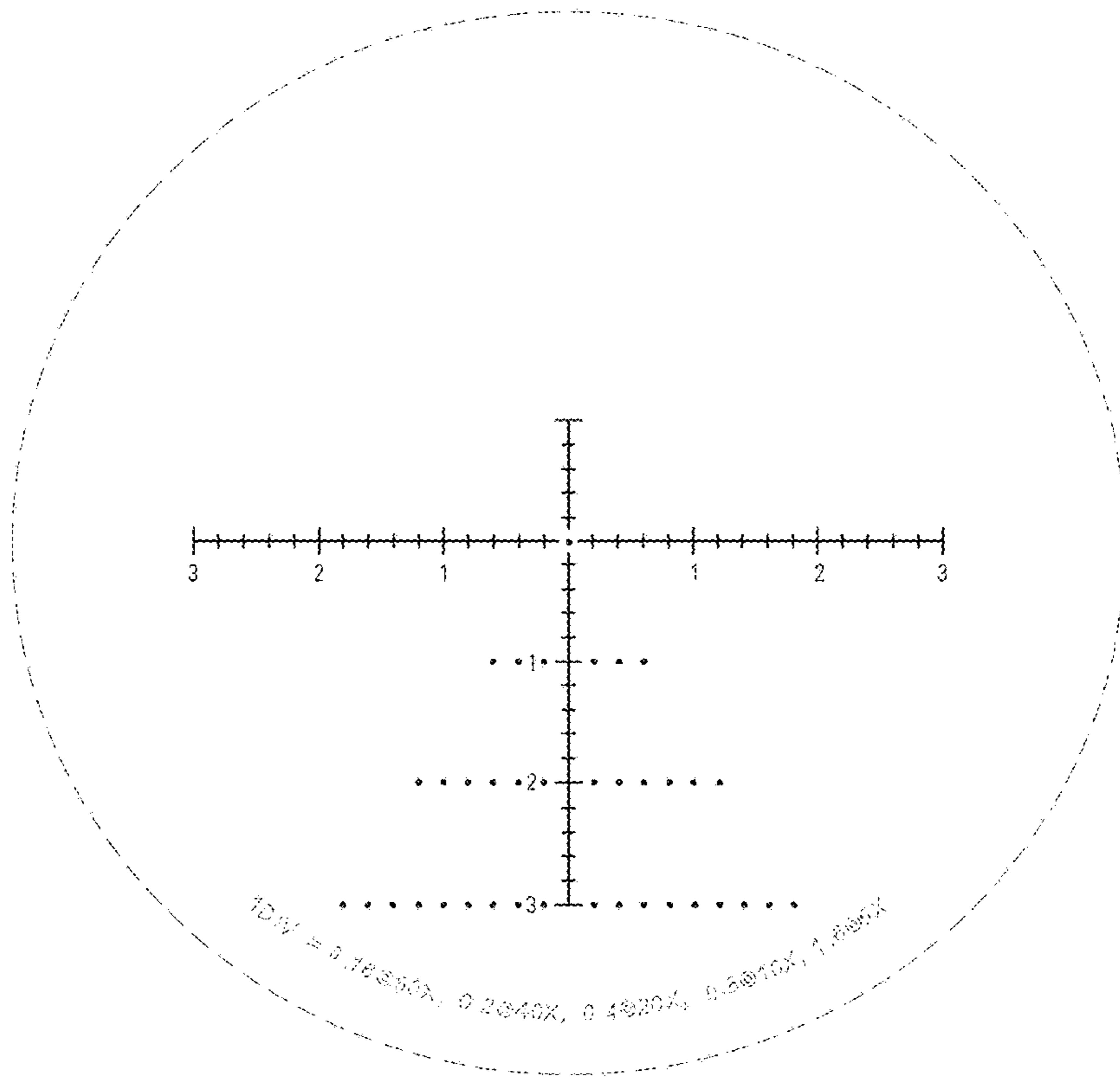


FIG - 1

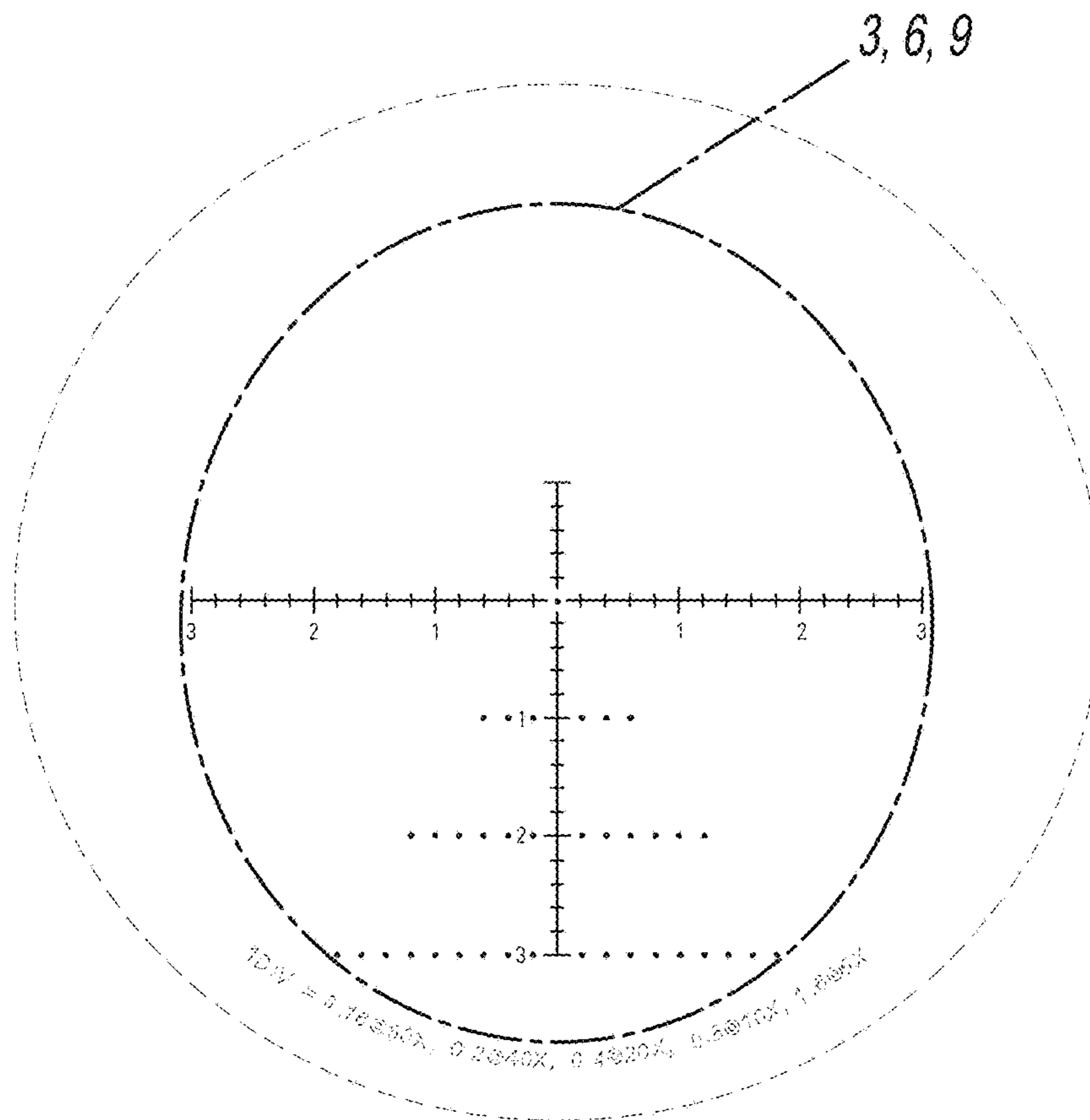


FIG-2

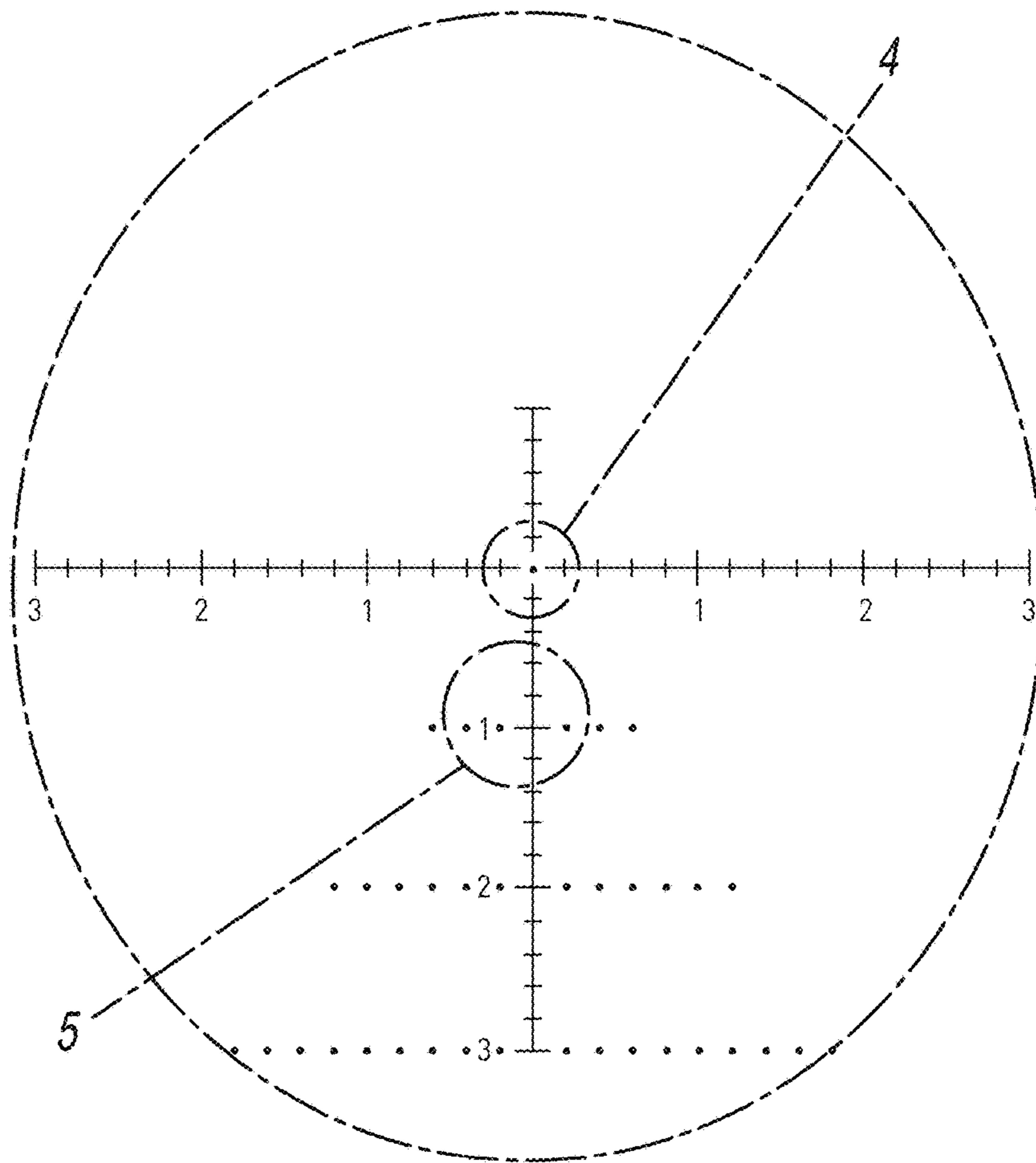


FIG - 3

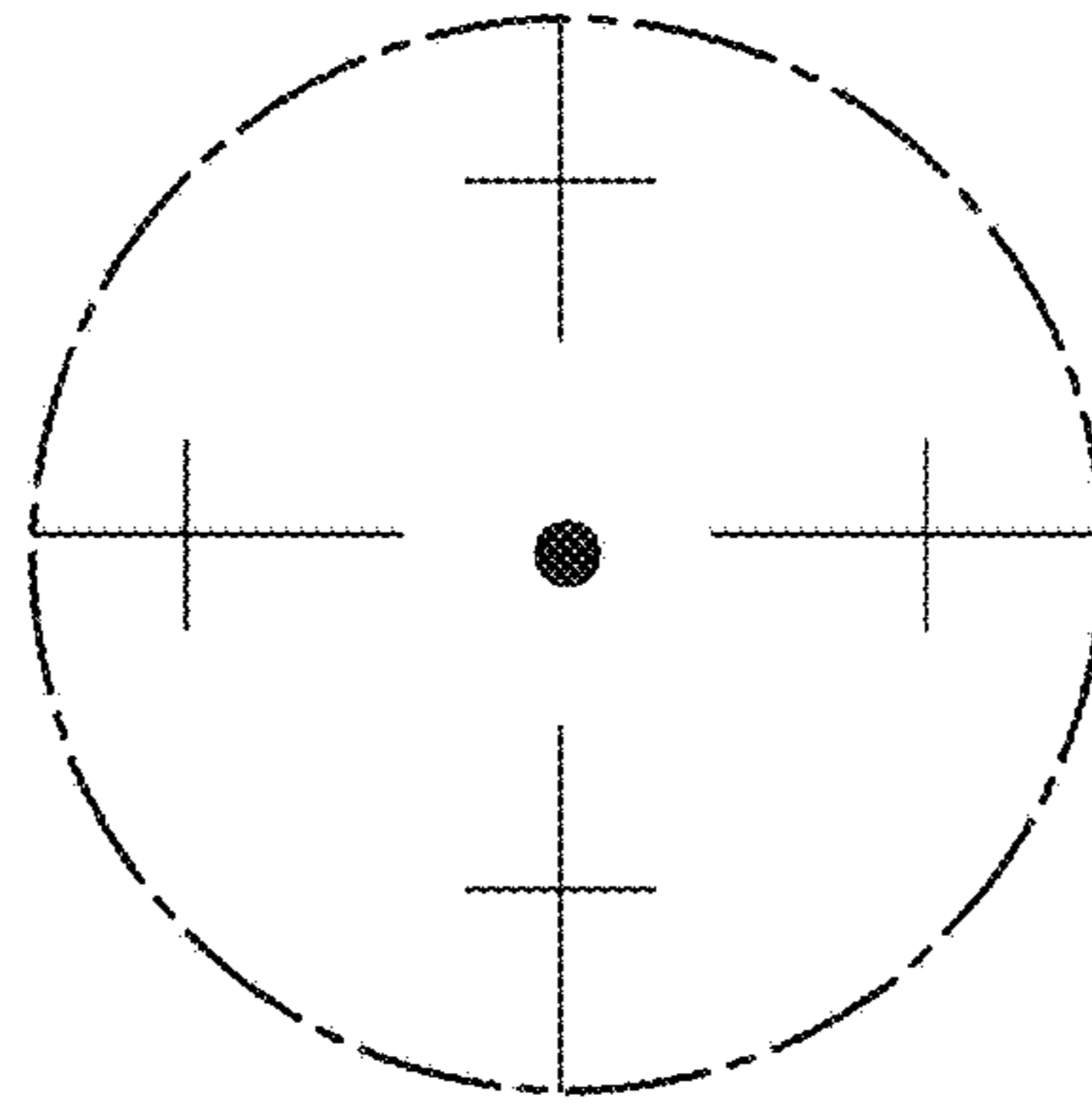


FIG - 4

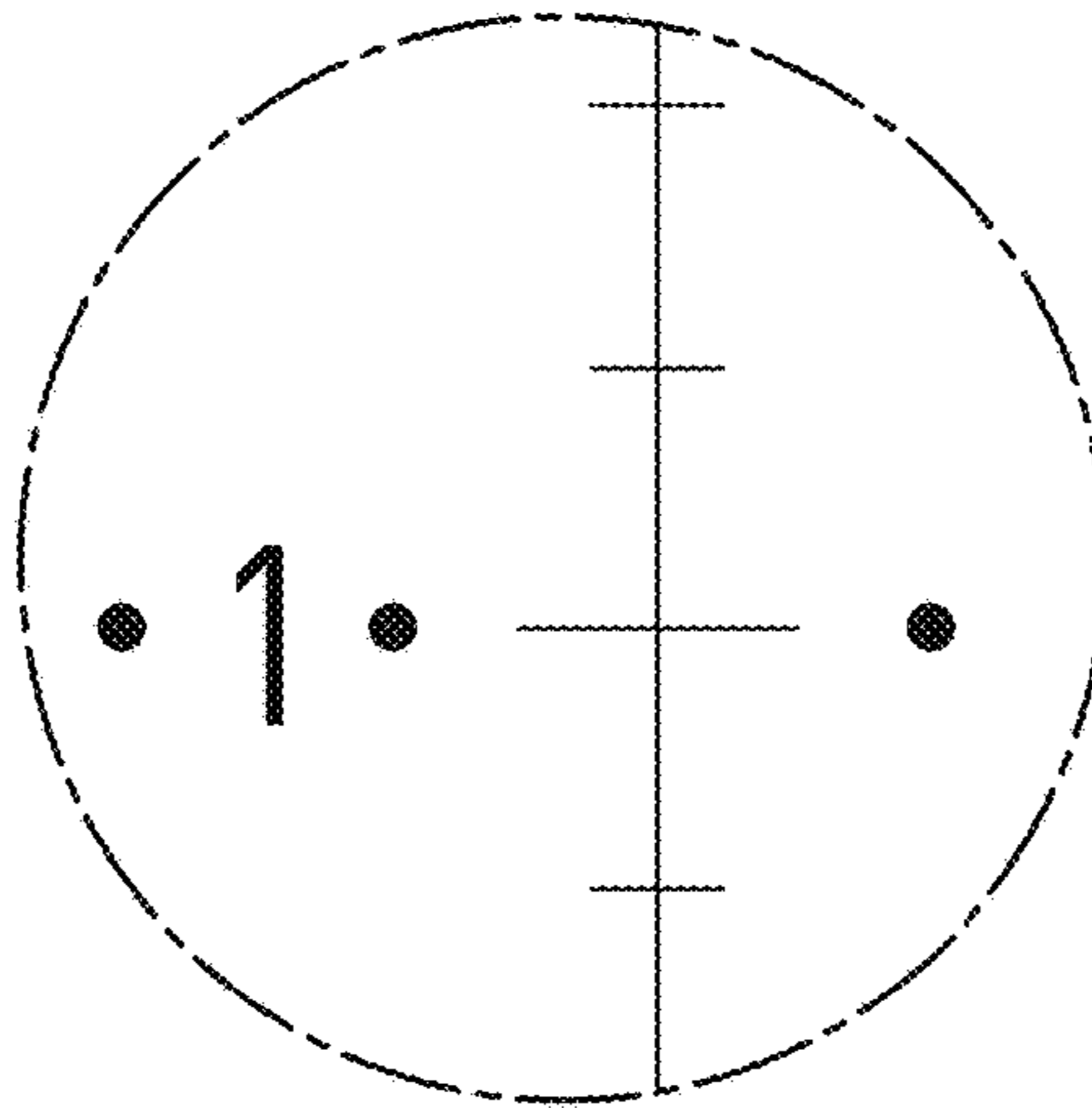


FIG - 5

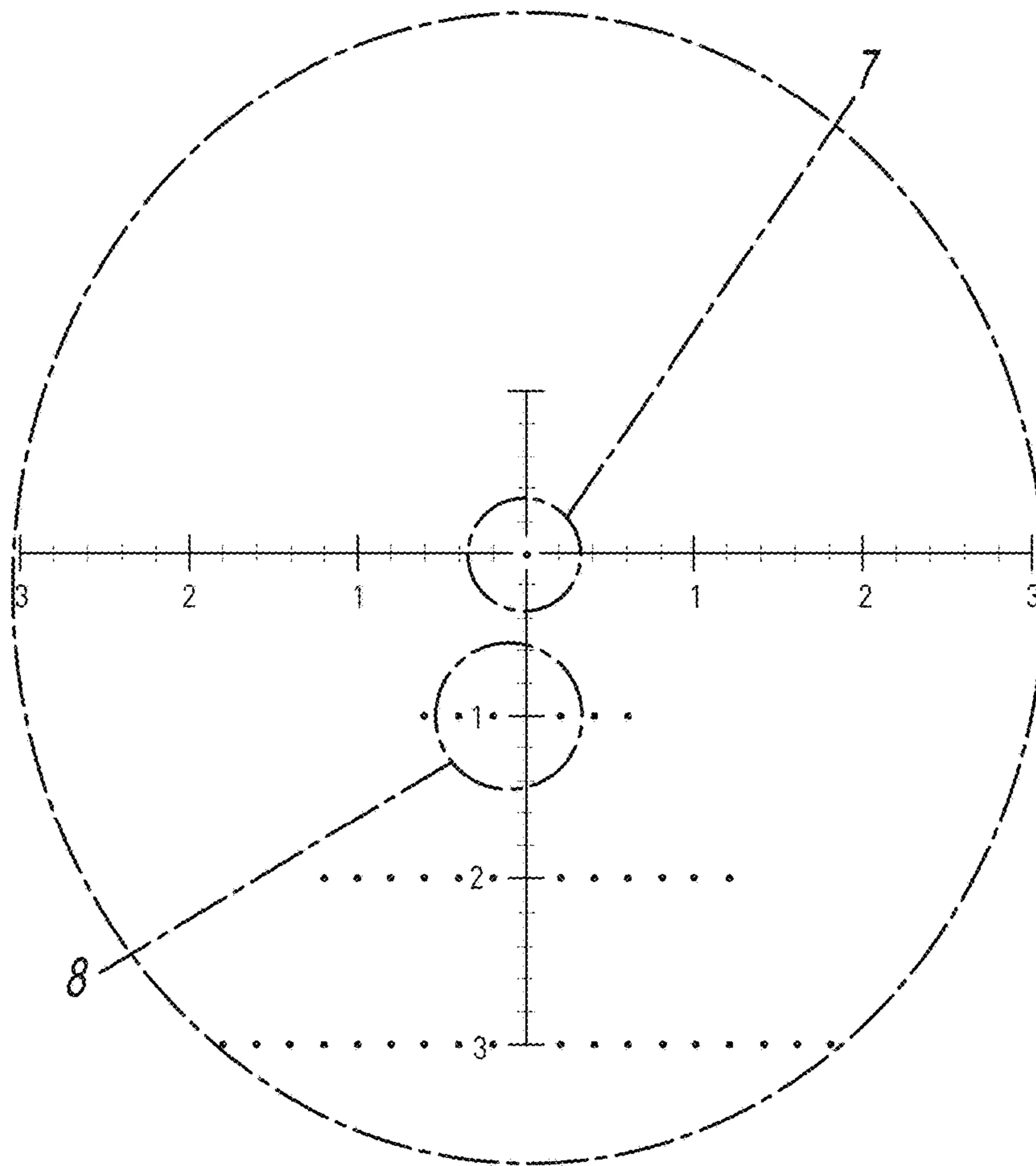


FIG - 6

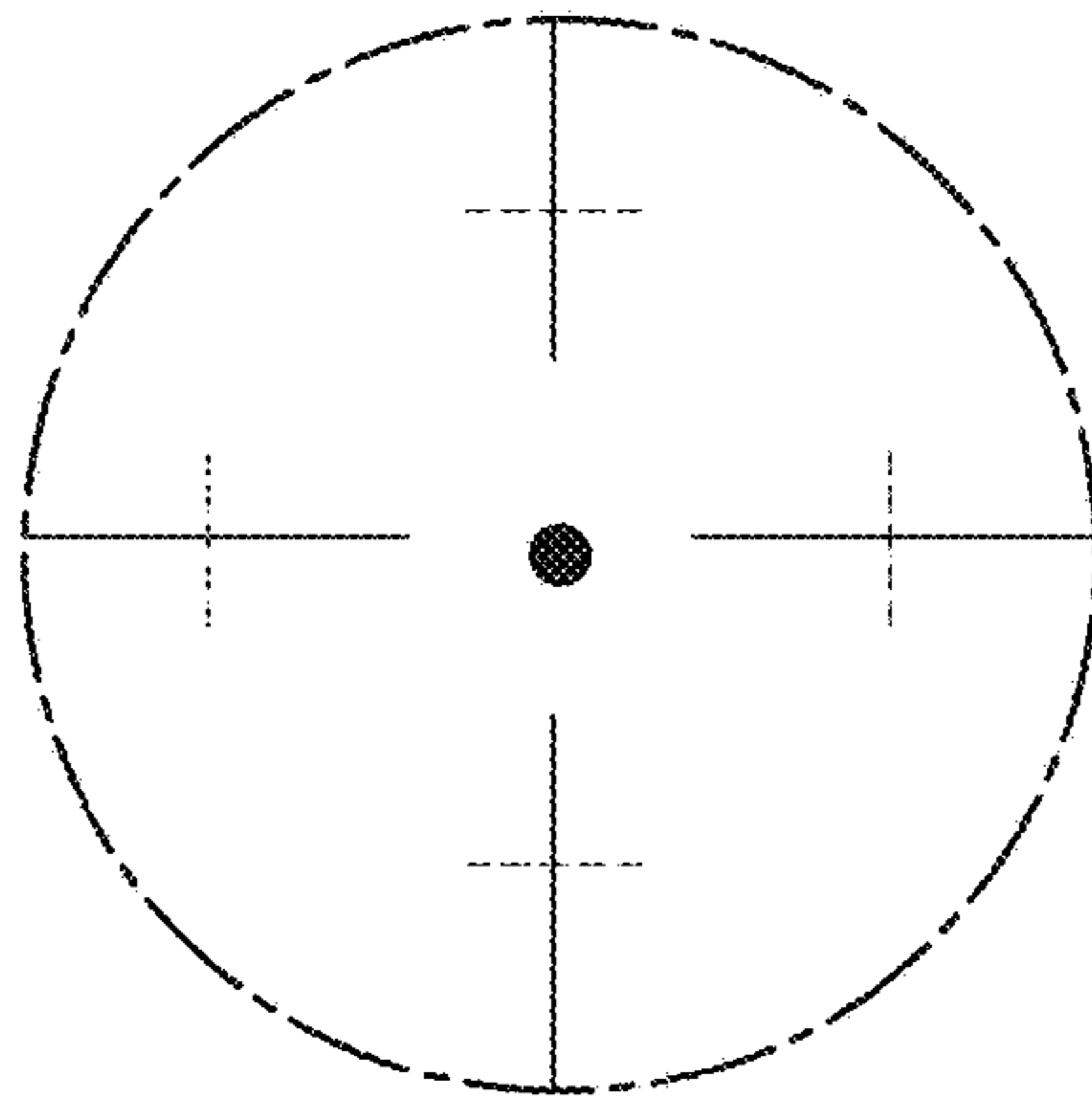


FIG - 7

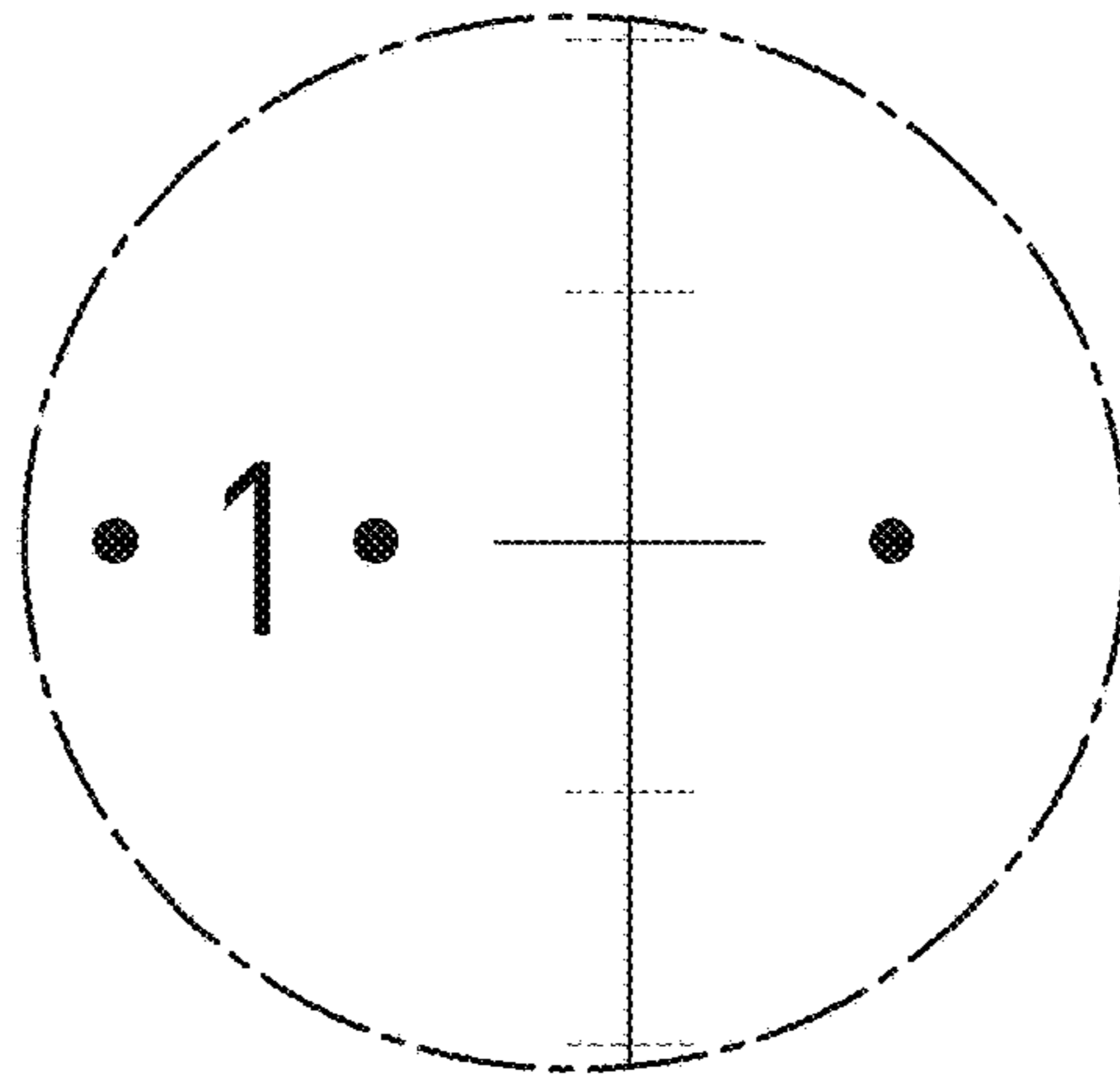


FIG - 8



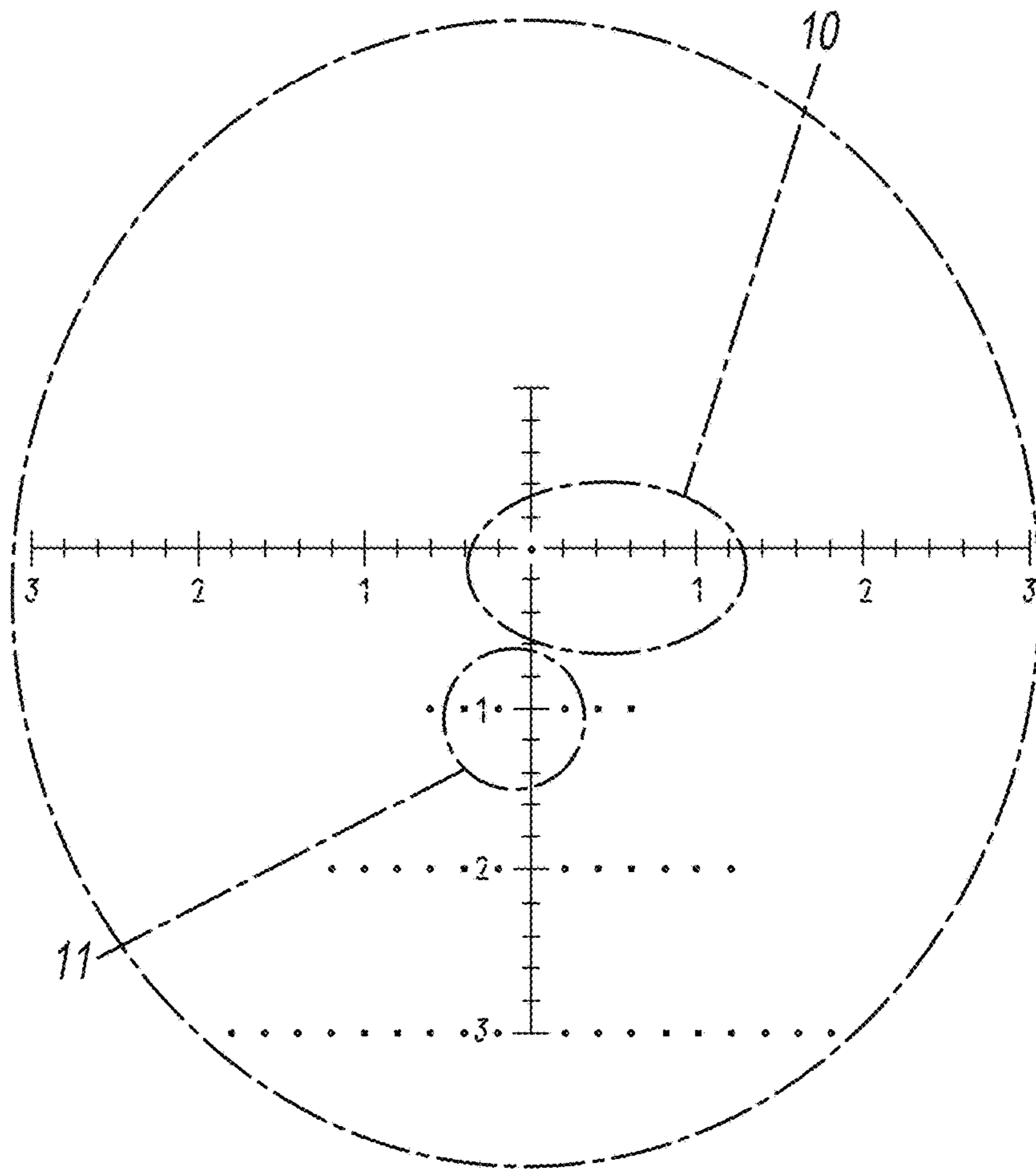


FIG-9

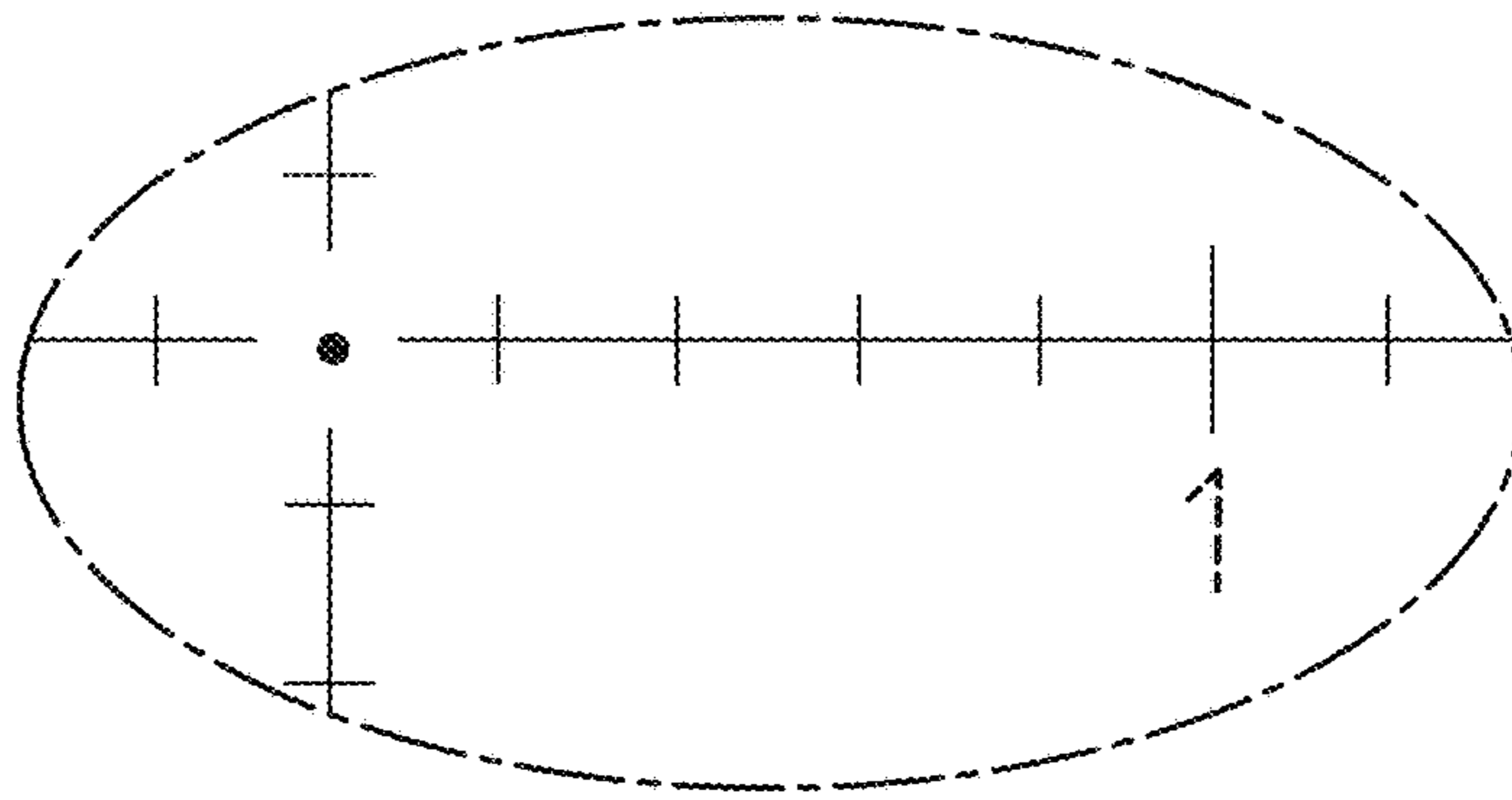


FIG - 10

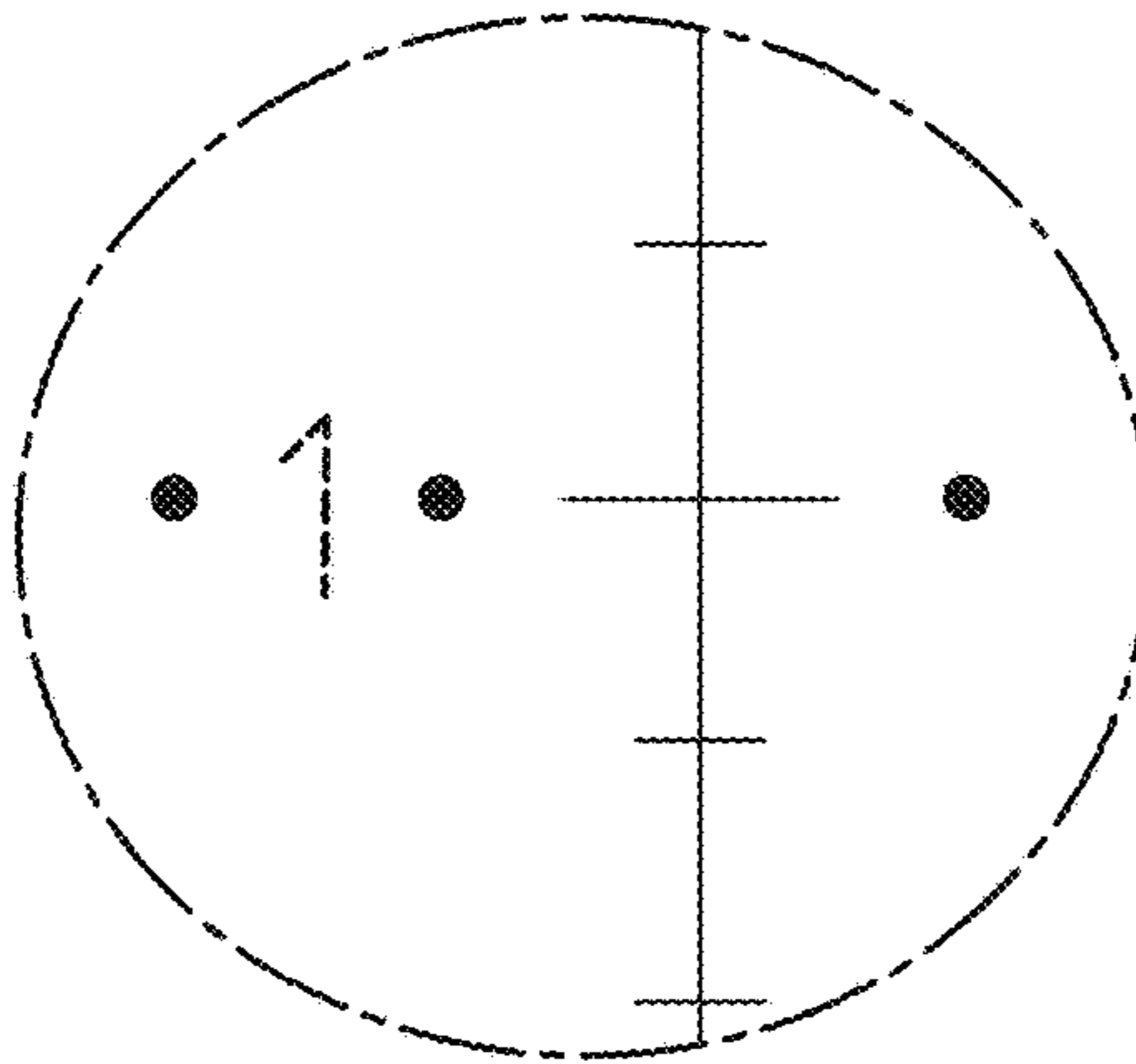


FIG - 11

UNITED STATES PATENT AND TRADEMARK OFFICE  
**CERTIFICATE OF CORRECTION**

PATENT NO. : D855,737 S  
APPLICATION NO. : 29/639382  
DATED : August 6, 2019  
INVENTOR(S) : Ian Doran

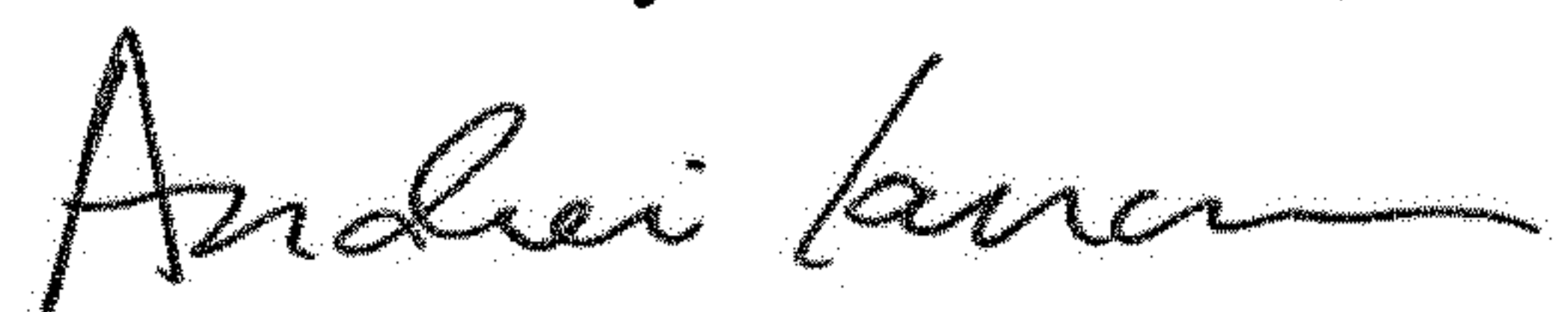
Page 1 of 1

It is certified that error appears in the above-identified patent and that said Letters Patent is hereby corrected as shown below:

On the Title Page

Item [57], Line 28 under DESCRIPTION, after "text" insert --that--.

Signed and Sealed this  
Nineteenth Day of November, 2019



Andrei Iancu  
*Director of the United States Patent and Trademark Office*