



US00D855736S

(12) **United States Design Patent**
Sroufe et al.

(10) **Patent No.:** **US D855,736 S**
(45) **Date of Patent:** **** Aug. 6, 2019**

- (54) **FIREARM MAGAZINE**
- (71) Applicant: **Taurus International Manufacturing, Inc.**, Miami, FL (US)
- (72) Inventors: **Dustin Sroufe**, Hollywood, FL (US);
Jesse Peyton, Plantation, FL (US)
- (73) Assignee: **Taurus International Manufacturing, Inc.**, Miami, FL (US)
- (**) Term: **15 Years**
- (21) Appl. No.: **29/635,154**
- (22) Filed: **Jan. 29, 2018**

- D344,780 S * 3/1994 Jenkins D22/108
- D345,407 S 3/1994 Ruger
- D362,044 S * 9/1995 Sniezak D22/100
- 5,526,600 A * 6/1996 Chesnut F41A 9/65
42/50
- D376,187 S 12/1996 Haber
(Continued)

Related U.S. Application Data

- (62) Division of application No. 29/581,709, filed on Oct. 21, 2016.
- (51) **LOC (12) Cl.** **22-01**
- (52) **U.S. Cl.**
USPC **D22/108**
- (58) **Field of Classification Search**
USPC D22/100, 104, 108, 109, 199;
D21/572-575; D14/418; 124/16, 25.7,
124/27, 45, 82, 23.1, 35.2, 37, 79;
446/401, 403, 400, 473, 445, 182, 405,
446/407; 248/200; D8/354, 373, 380,
D8/499
CPC F41C 3/14; F41C 3/16; F41C 3/04; F16M
11/00
See application file for complete search history.

References Cited

U.S. PATENT DOCUMENTS

- | | | |
|-------------|--------|----------|
| 4,155,187 A | 5/1979 | Lichtman |
| D269,896 S | 7/1983 | Seecamp |
| 4,472,901 A | 9/1984 | Hillberg |
| 4,575,963 A | 3/1986 | Ruger |
| 4,586,282 A | 5/1986 | Sniezak |

OTHER PUBLICATIONS

Review: Taurus Spectrum, GunsAndAmmo.com, Patrick Sweeney, Mar. 12, 2018, [online], [site visited Jul. 18, 2018]. <URL: <http://www.gunsandammo.com/handguns/review-taurus-spectrum/>> (Year: 2018).*

(Continued)

Primary Examiner — T Chase Nelson
Assistant Examiner — Jonathan J. Han

(74) *Attorney, Agent, or Firm* — DeLio Peterson & Curcio LLC; Robert Curcio

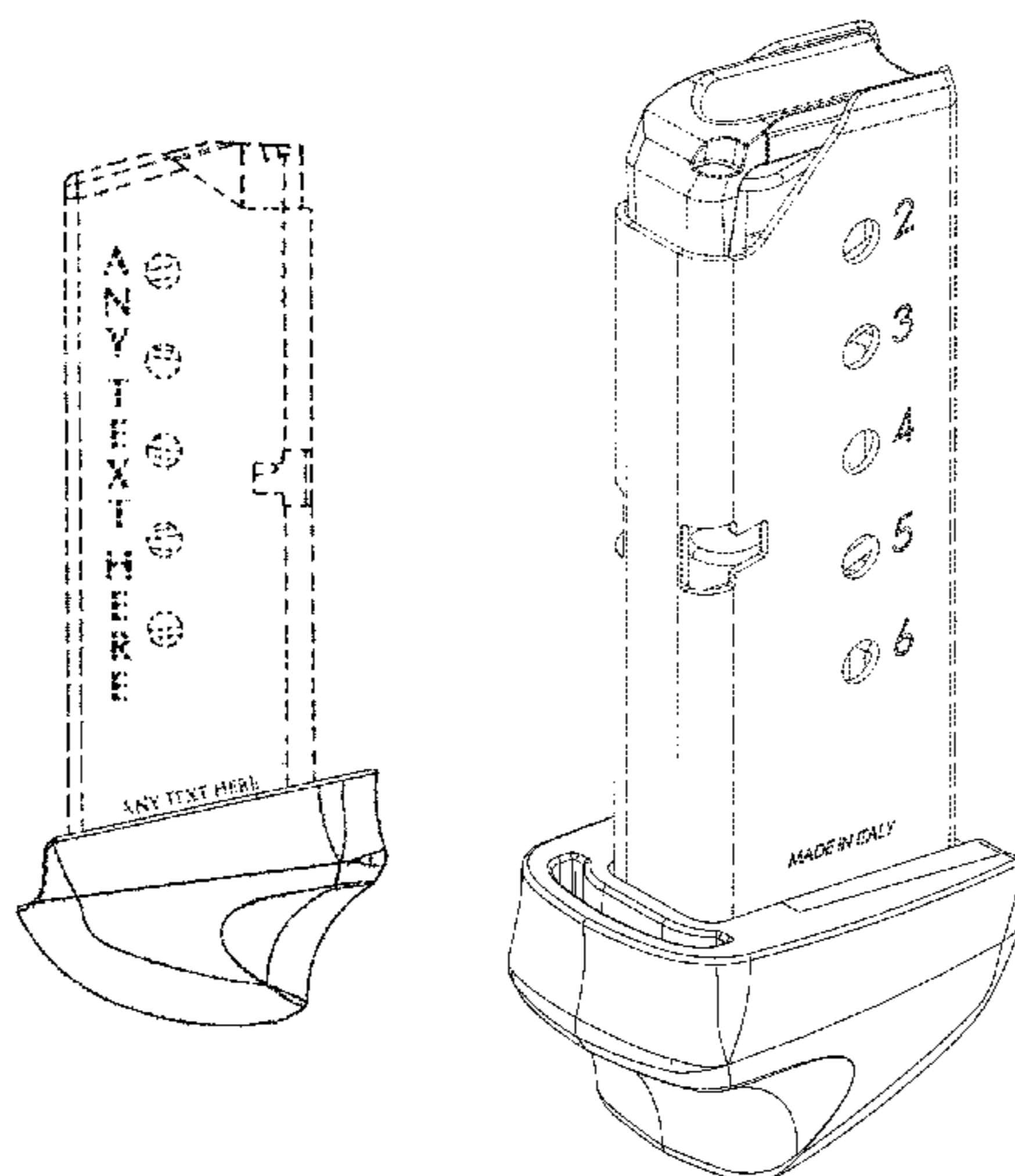
(57) **CLAIM**

We claim the ornamental design for a “firearm magazine”, as shown and described.

DESCRIPTION

FIG. 1 is a first side view of the firearm magazine according to the present invention;
FIG. 2 is a second side view of the firearm magazine according to the present invention;
FIG. 3 is a back view of the firearm magazine according to the present invention;
FIG. 4 is a front or muzzle view of the firearm magazine according to the present invention;
FIG. 5 is a front perspective view of the firearm magazine according to the present invention;
FIG. 6 is a top view of the firearm magazine according to the present invention; and,
FIG. 7 is a bottom view of the firearm magazine according to the present invention.

1 Claim, 4 Drawing Sheets



(56)

References Cited

U.S. PATENT DOCUMENTS

D377,513 S 1/1997 Lenkarski
 5,625,971 A 5/1997 Tuma
 5,666,752 A 9/1997 Grams
 5,815,973 A 10/1998 Hochstrate
 D401,992 S * 12/1998 Pearce D22/108
 5,906,065 A * 5/1999 Pearce F41A 9/65
 42/50
 6,000,162 A * 12/1999 Hochstrate F41A 19/14
 42/65
 6,256,915 B1 7/2001 da Silveira
 6,557,287 B2 * 5/2003 Wollmann F41A 9/65
 42/50
 D487,790 S * 3/2004 Freed D22/108
 D487,791 S * 3/2004 Freed D22/108
 D493,861 S * 8/2004 Rauch D22/108
 7,117,622 B2 * 10/2006 Freed F41A 9/65
 42/7
 D574,053 S 7/2008 McGarry
 D579,072 S 10/2008 McGarry
 D584,374 S 1/2009 McGarry
 D593,634 S * 6/2009 Fitzpatrick D22/108
 7,950,179 B2 * 5/2011 Confrey F41C 23/10
 42/49.01
 D642,647 S * 8/2011 Fitzpatrick D22/108
 D644,291 S * 8/2011 Faifer D22/108
 D647,589 S * 10/2011 Rogers D22/108
 D650,880 S 12/2011 McGarry
 D654,978 S 2/2012 Karanian
 D678,454 S 3/2013 Emde
 D687,117 S 7/2013 Yigit
 D692,513 S 10/2013 Yigit
 D706,895 S * 6/2014 Zayatz D22/108
 D709,580 S 7/2014 Heizer
 D732,625 S 6/2015 Heizer
 D744,049 S 11/2015 Chu
 D745,944 S * 12/2015 Kielsmeier D22/108
 9,222,745 B2 12/2015 Kallio
 D757,884 S * 5/2016 Kielsmeier D22/108
 D767,705 S * 9/2016 Freed D22/108
 D769,397 S * 10/2016 Lam D22/108
 D783,111 S 4/2017 Hillis
 D792,548 S * 7/2017 Daniel D22/108
 D795,988 S * 8/2017 Geissele D22/108
 D808,487 S * 1/2018 Beville D22/104
 D809,085 S * 1/2018 Geissele D22/108
 D810,223 S * 2/2018 Kielsmeier D22/108
 9,903,685 B2 * 2/2018 Finsand F41C 33/008
 2002/0020099 A1 2/2002 Silveira
 2004/0031181 A1 * 2/2004 Freed F41A 9/65
 42/71.02

2005/0011097 A1 * 1/2005 Freed F41A 9/65
 42/49.02
 2006/0053674 A1 4/2006 Shober
 2008/0092424 A1 4/2008 Keng
 2012/0279105 A1 12/2012 Emde
 2014/0165442 A1 6/2014 Nebeker
 2015/0121734 A1 5/2015 Kresser
 2015/0345897 A1 12/2015 Koenig
 2016/0040957 A1 2/2016 Finsand
 2016/0102938 A1 4/2016 Sroufe
 2017/0108309 A1 4/2017 Pikielny
 2018/0051948 A1 * 2/2018 Corso F41A 9/65
 2018/0066907 A1 * 3/2018 Hefer F41A 9/83
 2018/0112945 A1 * 4/2018 Sroufe F41A 19/30
 2018/0164070 A1 * 6/2018 Pikielny F41C 23/18

OTHER PUBLICATIONS

Taurus' New Spectrum Pistol Is Much More Than Shiny New Colors, NRAblog.com, by Jason J. Brown—Tuesday, Apr. 4, 2017, [online], [site visited Jul. 18, 2018]. <URL: <https://www.nrablog.com/articles/2017/4/taurus-new-spectrum-pistol-is-much-more-than-shiny-new-colors/>> (Year: 2017).*

Taurus Spectrum—Long-Term Review 2018 (Actual Owner), YouTube.com, Douglas Flynn, Published on Feb. 10, 2018, [online], [site visited Jul. 18, 2018]. <URL: <https://www.youtube.com/watch?v=kewYFTuehq4>> (Year: 2018).*

Magazines, ShopTaurus.com, [online], [site visted Oct. 23, 2017]. <URL: <http://www.shoptaurus.com/magazines>> (Year:2017).

New Taurus Products, Pistols, TaurusUSA.com, [online], [sited visited Oct. 23, 2017]. <URL: <http://www.taurususa.com/product-list.cfm?new=1>> (Year: 2017).

The Keefe Report: Looking Beyond the Colors of the Taurus Spectrum Pistol, by Mark Keefe—Thursday, Jan. 5, 2017, [online] [site visited Oct. 23, 2017]. <URL: <http://www.americanrifleman.org/articles/2017/1/5/the-keefe-report-looking-beyond-the-colors-of-the-aurus-sepctrum-pistol/>> (Year: 2017).

Taurus Spectrum .380 ACP—New for 2017, AverageJoeshandgunReviews.blogspot.com, Monday, Dec. 26, 2016, [online], [sited visited Oct. 23, 2017]. <URL:<http://averagejoeshandgunreviews.blogspot.com/2016/12/taurus-spectrum-380-acp-new-for-2017.html>> (Year: 2016).

SCCY CPX-2 CB 9mm Compact Pistol CPX2CB, Rkguns.com, [online], [site visited Oct. 23, 2017]. <URL: <https://www.rkguns.com/sccy-cpx-2-cb-9mm-compact-pistol-cpx2cb.html>> (Year 2017).

Remington R51 Sub-Compact Semi-Auto Pistol, BassPro.com, [online], [site visited Oct. 23, 2017]. <URL: <http://www.basspro.com/shop/en/remington-r51-sub-compact-semi-auto-pistol>> (Year: 2017).

* cited by examiner

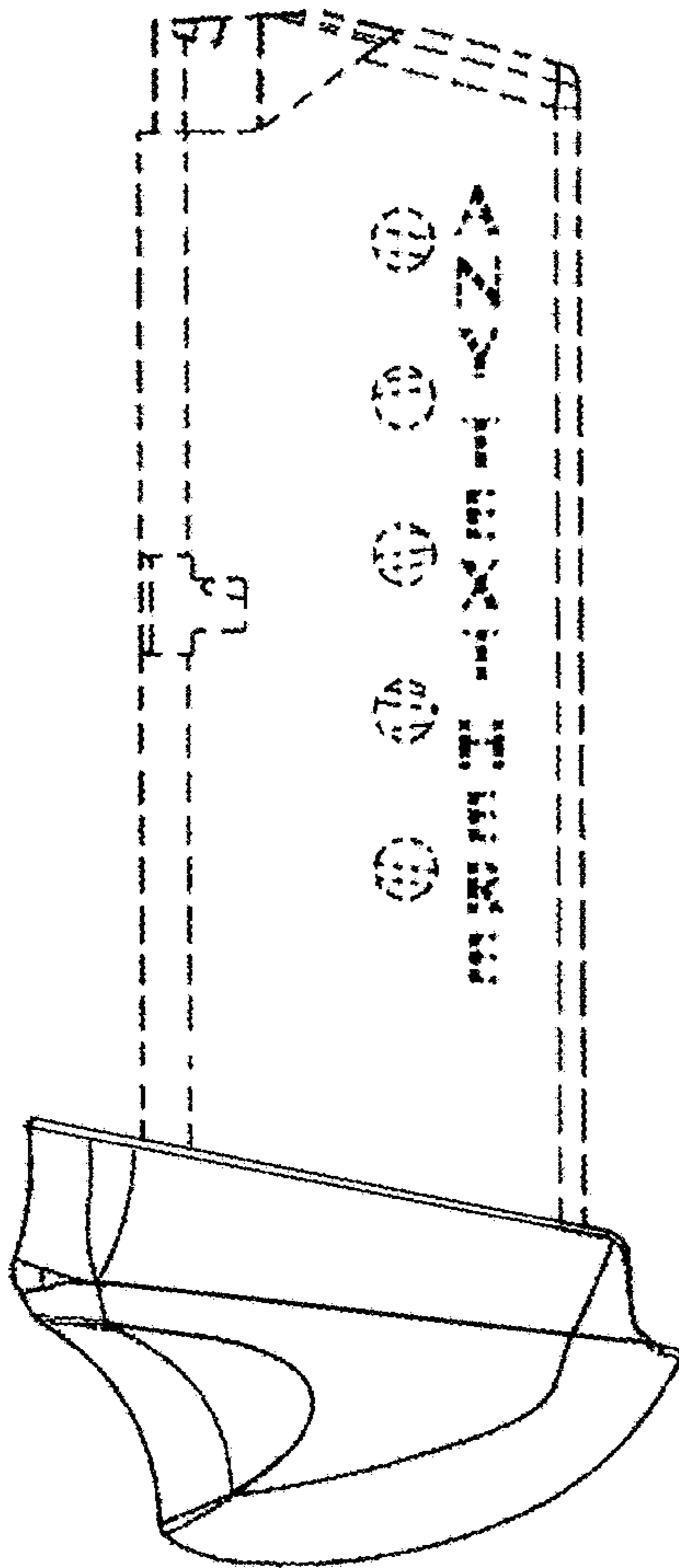


FIG. 1

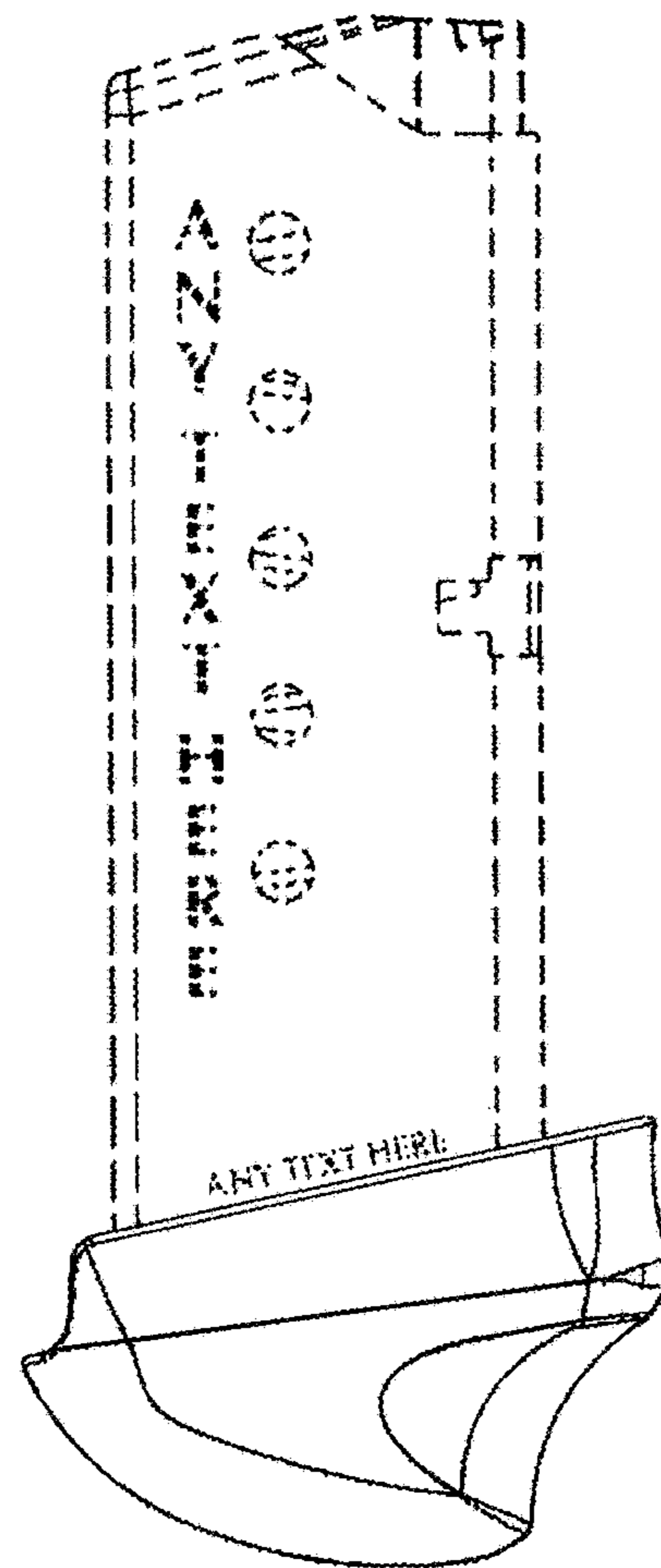


FIG. 2

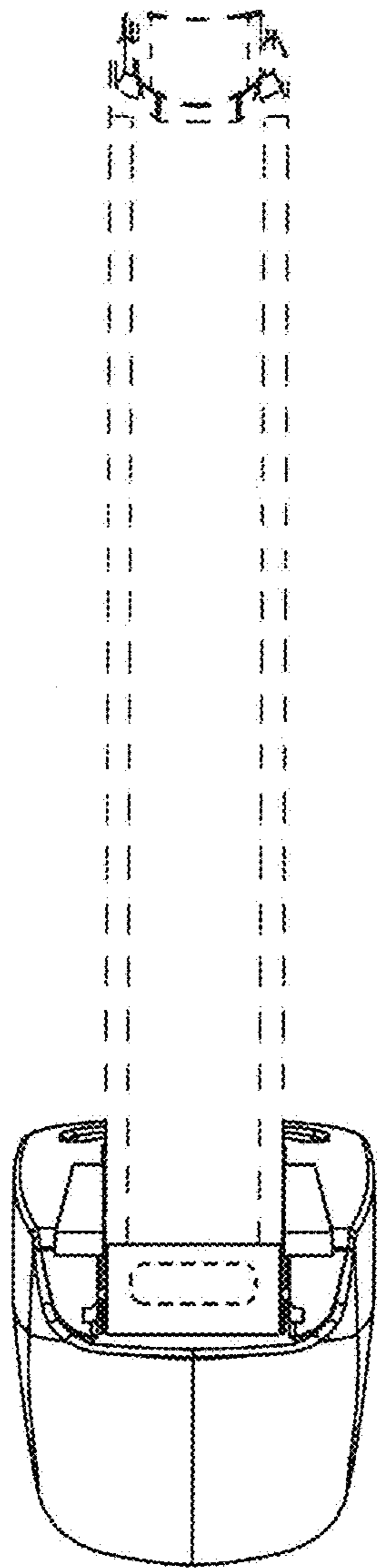


FIG. 3

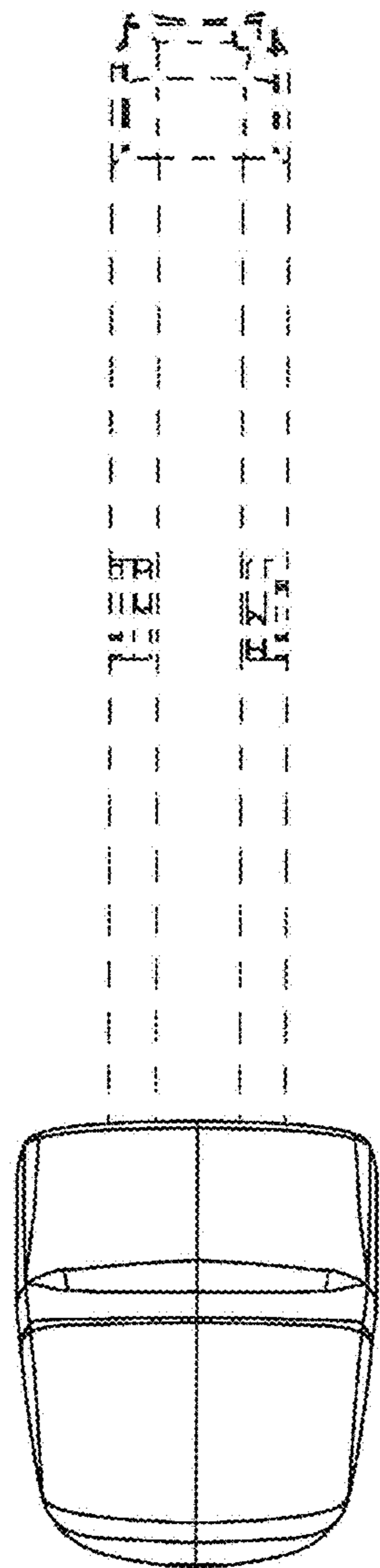


FIG. 4

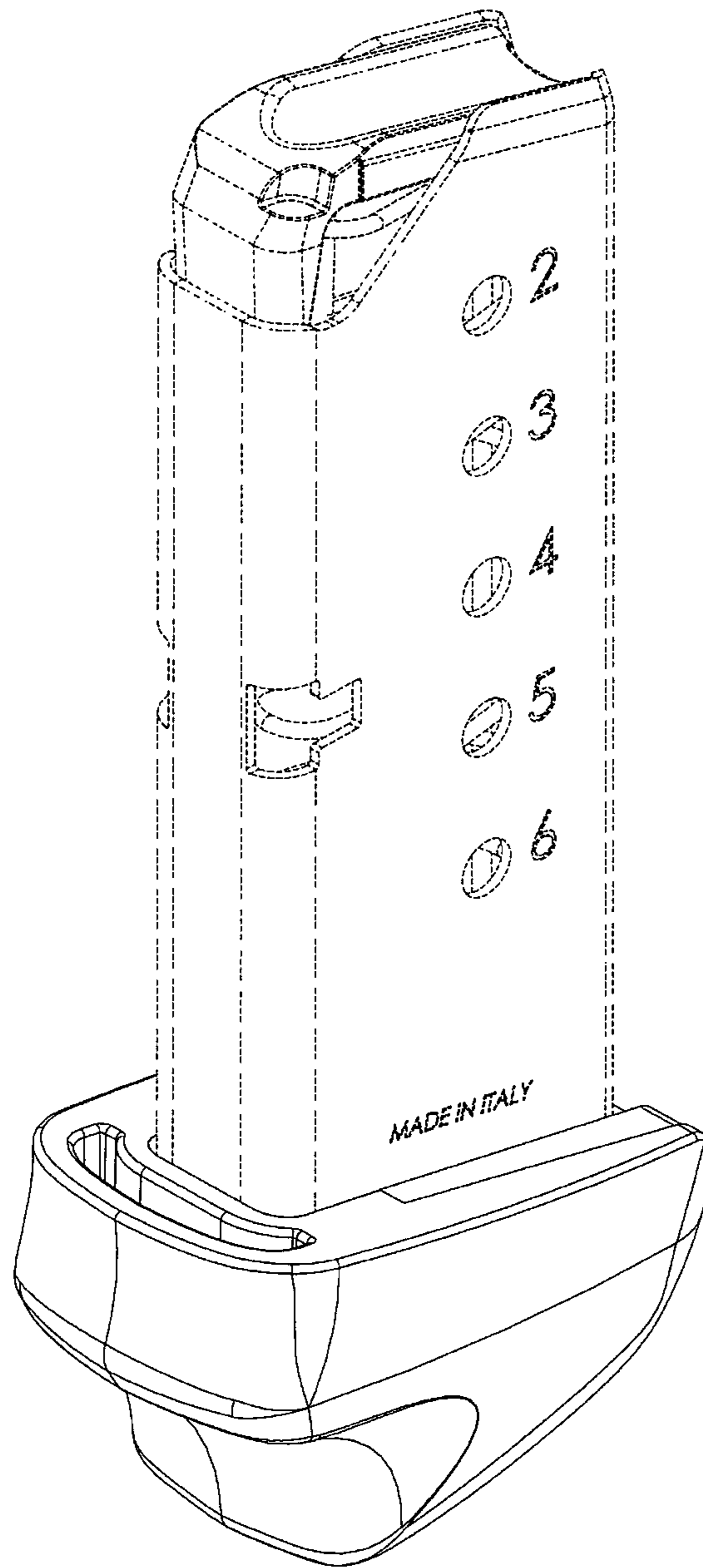


FIG. 5

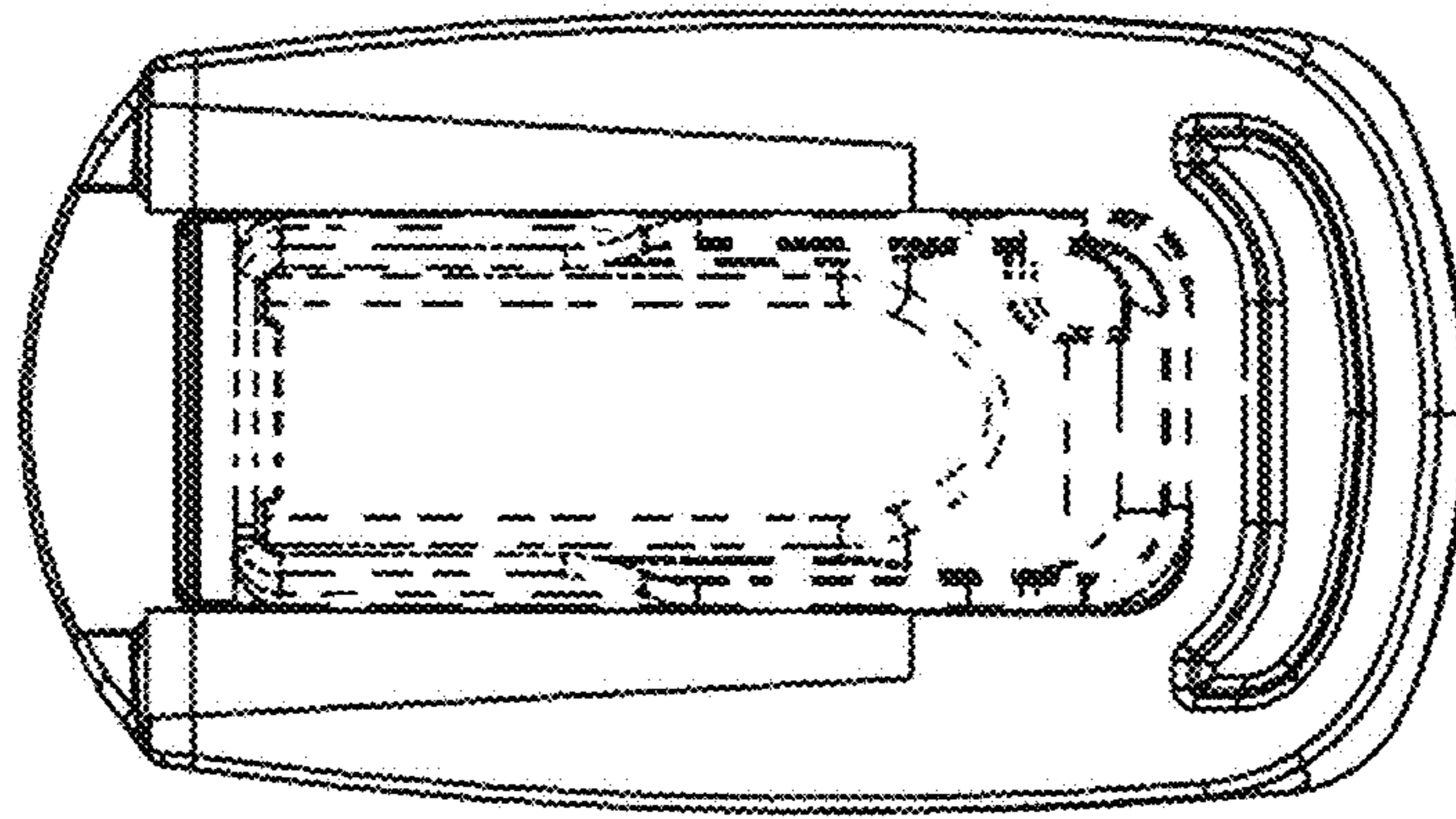


FIG. 6

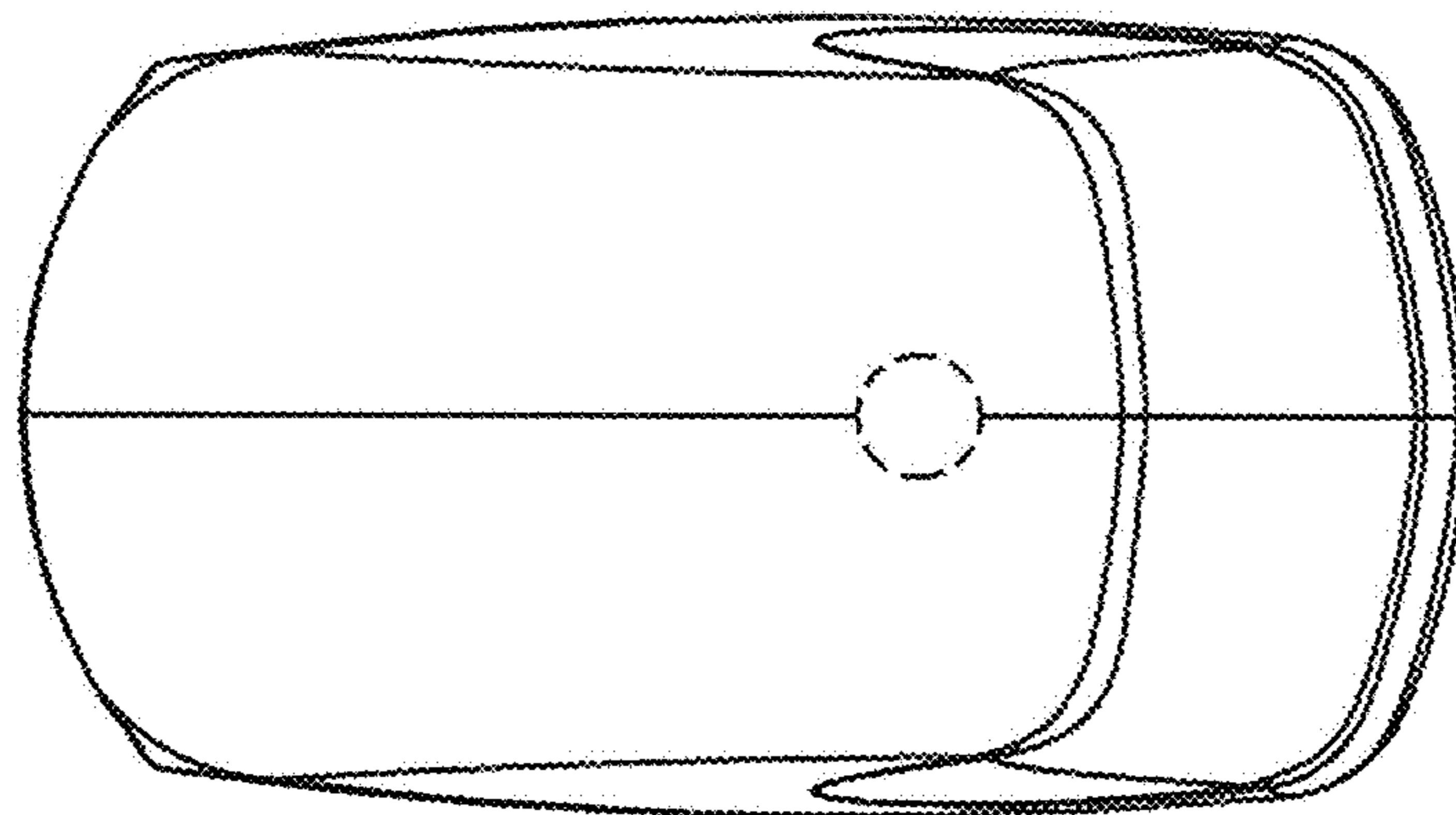


FIG. 7