



US00D855735S

(12) **United States Design Patent** (10) **Patent No.:** **US D855,735 S**  
**Geissele** (45) **Date of Patent:** **\*\* Aug. 6, 2019**

(54) **FIREARM SAFETY LEVER**

(71) Applicant: **WHG Properties, LLC**, North Wales, PA (US)

(72) Inventor: **William H. Geissele**, Lower Gwynedd, PA (US)

(73) Assignee: **WHG Properties, LLC**, North Wales, PA (US)

(\*\*) Term: **15 Years**

(21) Appl. No.: **29/615,274**

(22) Filed: **Aug. 28, 2017**

(51) **LOC (12) Cl.** ..... **22-01**

(52) **U.S. Cl.**  
USPC ..... **D22/108**

(58) **Field of Classification Search**

USPC ..... D21/301, 304, 567, 570, 571, 573, 574, D21/575, 746; D22/100, 101, 102, 103, D22/106, 107, 108, 109, 110, 111, 112, D22/115, 116, 199

CPC ..... F41A 3/26; F41A 3/12; F41A 5/02; F41A 17/22; F41B 5/143; F41B 5/14; F41B 5/066; F41B 7/08; F41B 5/1446; F41B 5/148; F41B 5/1465; F42B 6/04; F42B 6/08; F42B 6/02; F42B 6/06; F42B 12/362; F41C 23/16; F41C 27/00; F41C 7/00; F41G 11/003; F41G 11/001; F41G 11/004; F41G 11/005; A63H 5/04  
See application file for complete search history.

(56) **References Cited**

**U.S. PATENT DOCUMENTS**

5,251,533 A \* 10/1993 Layton ..... F41A 19/33 89/129.02  
D639,378 S \* 6/2011 Burt ..... D22/108  
D641,824 S \* 7/2011 Gridelet ..... D22/103  
D653,300 S \* 1/2012 Emde ..... D22/103  
D667,072 S \* 9/2012 Kriegleder ..... D22/103  
D689,160 S \* 9/2013 Emde ..... D22/108

(Continued)

**OTHER PUBLICATIONS**

“Geissele Automatics High Speed Selector (HSS)” [online]. David Crane. [Published on May 23, 2017]. Retrieved from the Internet: <<http://www.defensereview.com/geissele-automatics-high-speed-selector-drop-in-spring-loaded-45-degree-instant-onoff-ambi-ambidextrous-full-auto-ar-selector-switch-and-super-select-fire->>.\*

(Continued)

*Primary Examiner* — Khawaja Anwar

*Assistant Examiner* — Mojtaba Tehrani

(74) *Attorney, Agent, or Firm* — Fox Rothschild LLP

(57) **CLAIM**

The ornamental design for a firearm safety lever, as shown and described.

**DESCRIPTION**

FIG. 1 is an isometric view of a first embodiment of a firearm safety lever, showing my new design;

FIG. 2 is a front view thereof;

FIG. 3 is a rear view thereof;

FIG. 4 is a right side view thereof;

FIG. 5 is a left side view thereof;

FIG. 6 is a top view thereof;

FIG. 7 is a bottom view thereof;

FIG. 8 is an isometric view of a second embodiment of a firearm safety lever, showing my new design;

FIG. 9 is a front view thereof;

FIG. 10 is a rear view thereof;

FIG. 11 is a right side view thereof;

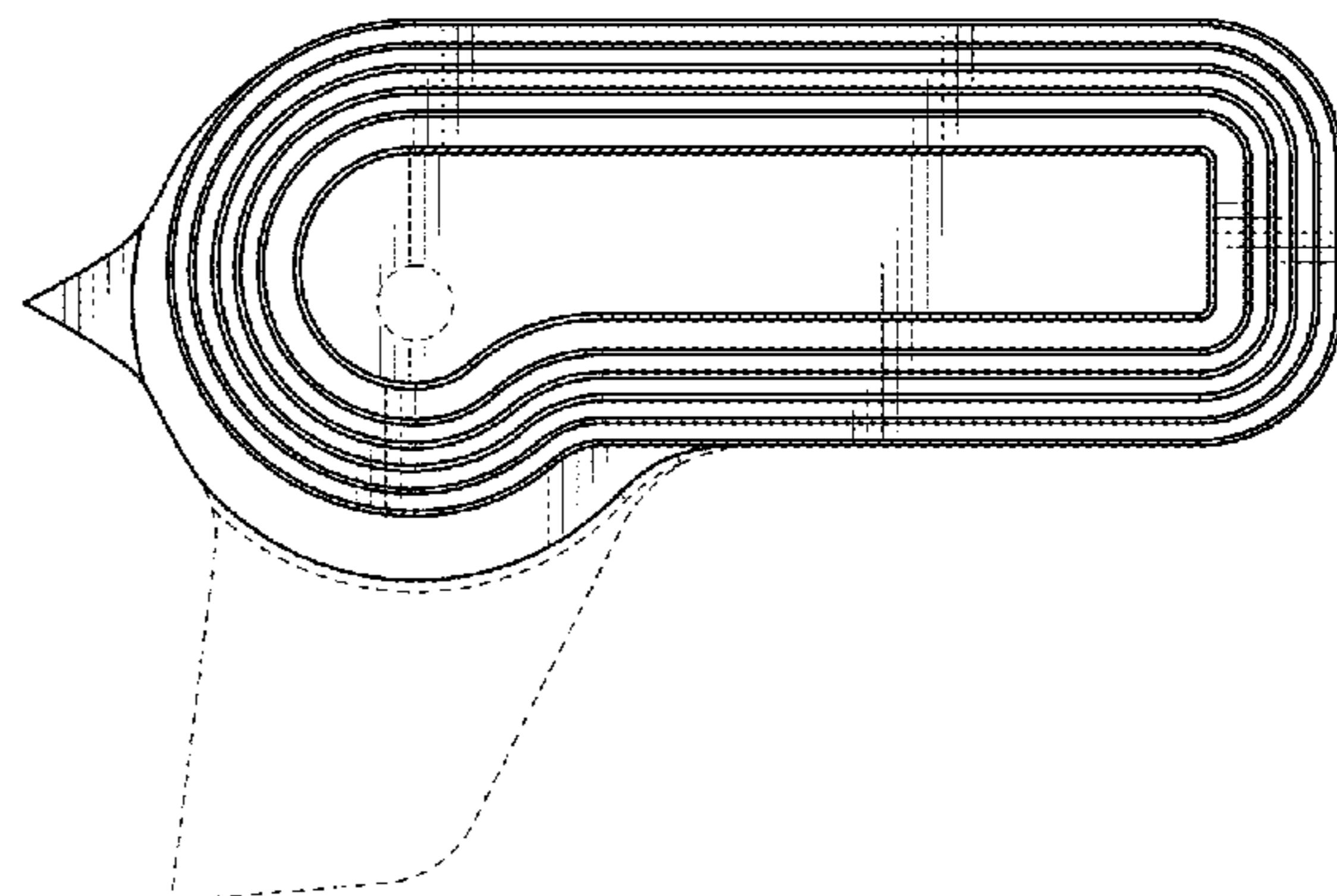
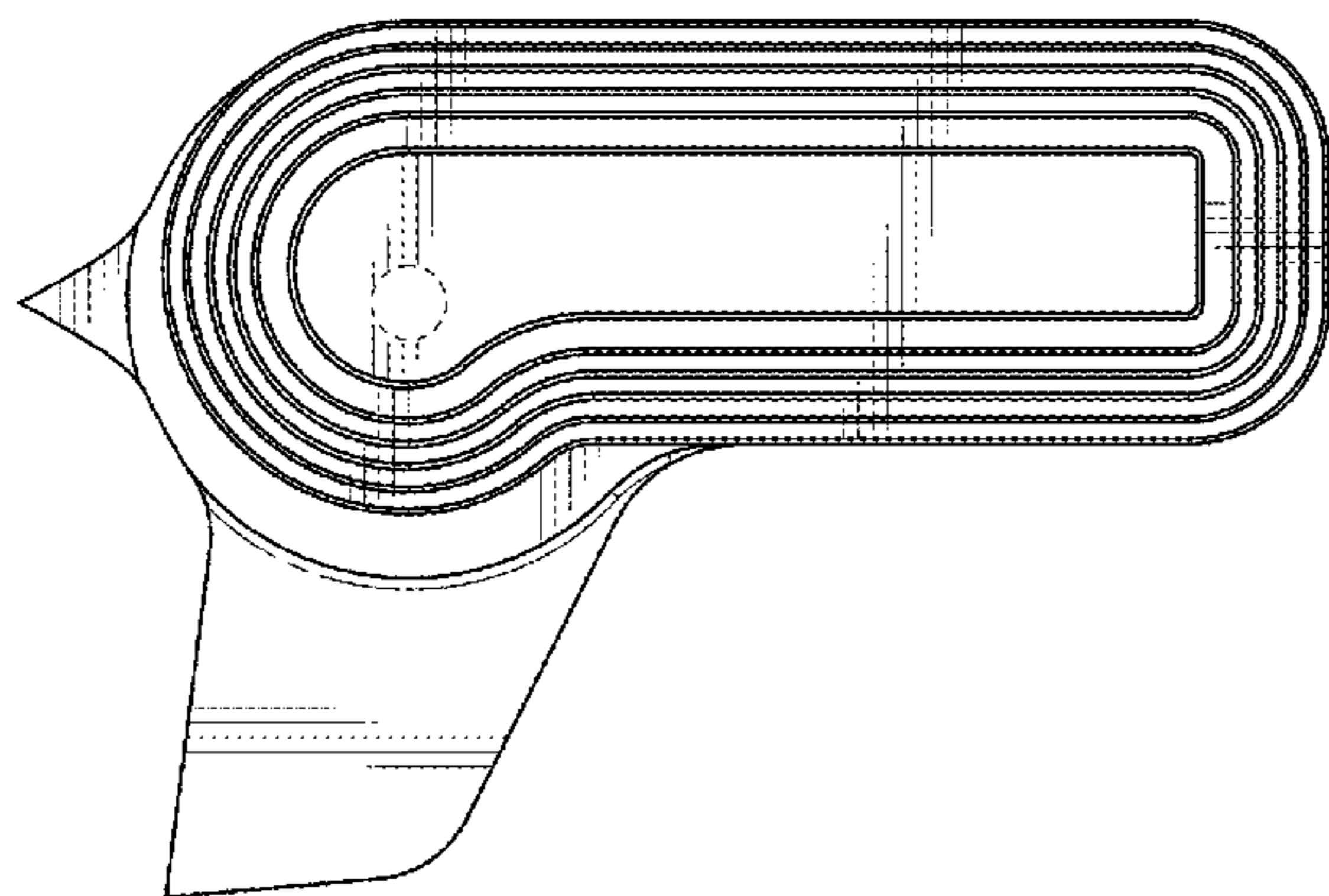
FIG. 12 is a left side view thereof;

FIG. 13 is a top view thereof; and,

FIG. 14 is a bottom view thereof.

The dash-dot broken line in the drawings depicts boundary of the claimed design; the evenly broken line in the drawings depicts unclaimed portion of the firearm safety lever only. Broken lines form no part of the claimed design.

**1 Claim, 4 Drawing Sheets**



(56)

**References Cited**

U.S. PATENT DOCUMENTS

D721,779 S *	1/2015	Emde .....	D22/103
D723,646 S *	3/2015	Keezer .....	D22/108
D724,169 S *	3/2015	Emde .....	D22/103
D785,124 S *	4/2017	Dahl, II .....	D22/107
D819,768 S *	6/2018	Dew .....	D22/108
D834,131 S *	11/2018	Geissele .....	D22/108
2010/0236394 A1 *	9/2010	Gomez .....	F41A 17/42 89/138
2016/0131449 A1 *	5/2016	Horch .....	F41A 19/16 42/69.01

OTHER PUBLICATIONS

“DPMS Oversized Safety Selector AR-15, LR-308” [online].  
midwayusa.com. [Retrieved on Feb. 21, 2019]. Retrieved from the  
Internet: <<https://www.midwayusa.com/product/100334029/dpms-oversized-safety-selector-ar-15-lr-308-steel-matte>>.\*

\* cited by examiner

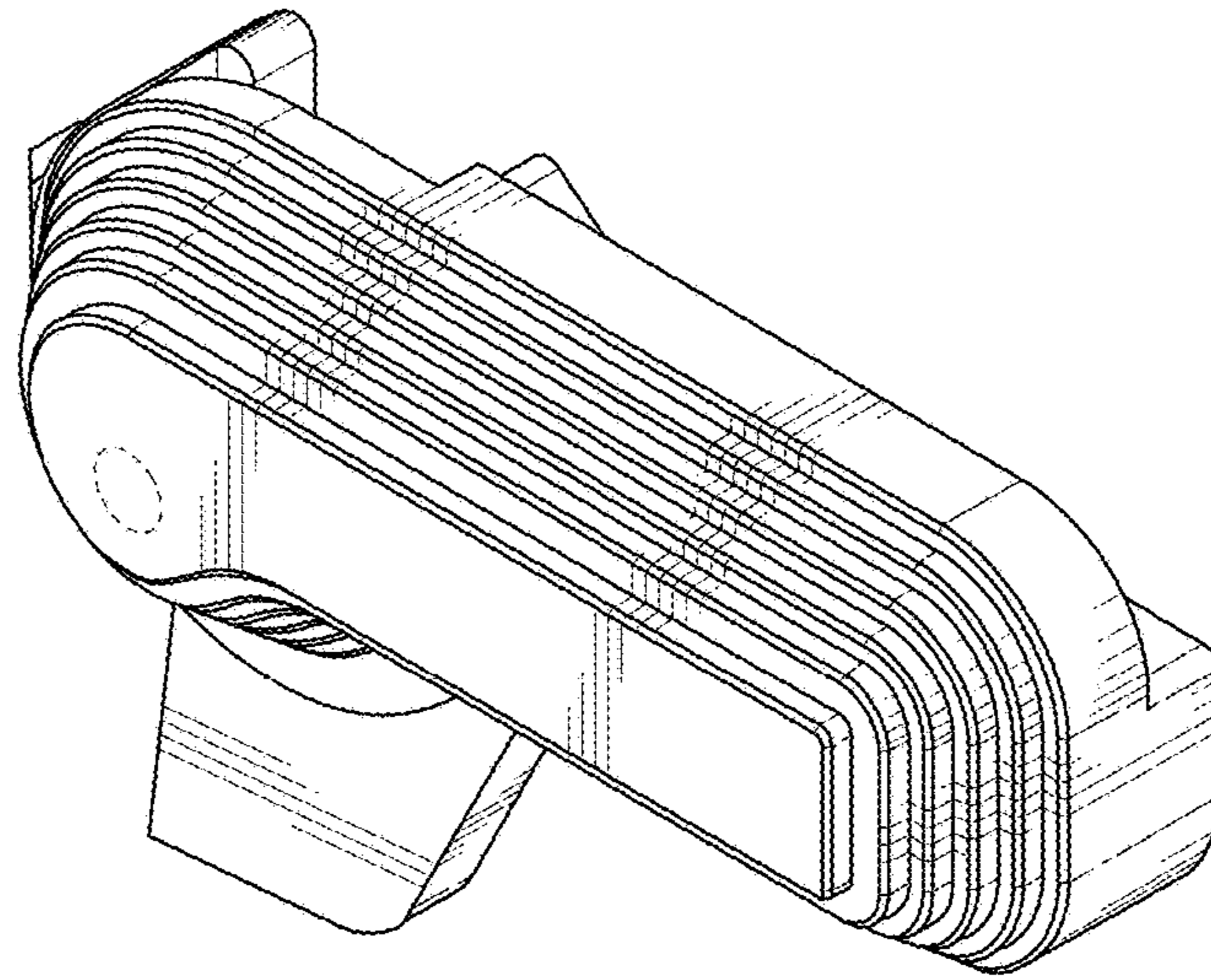


FIG. 1

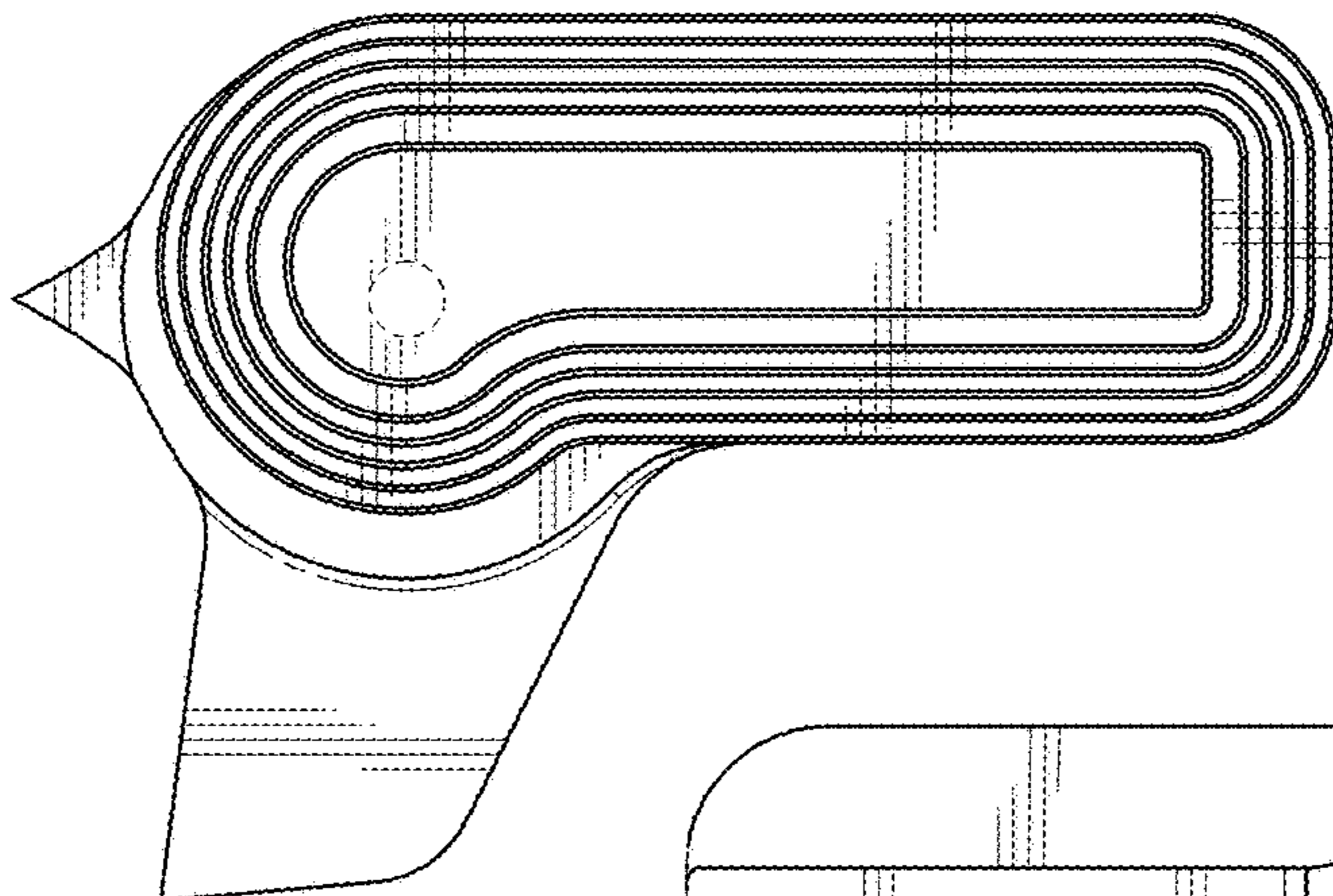


FIG. 2

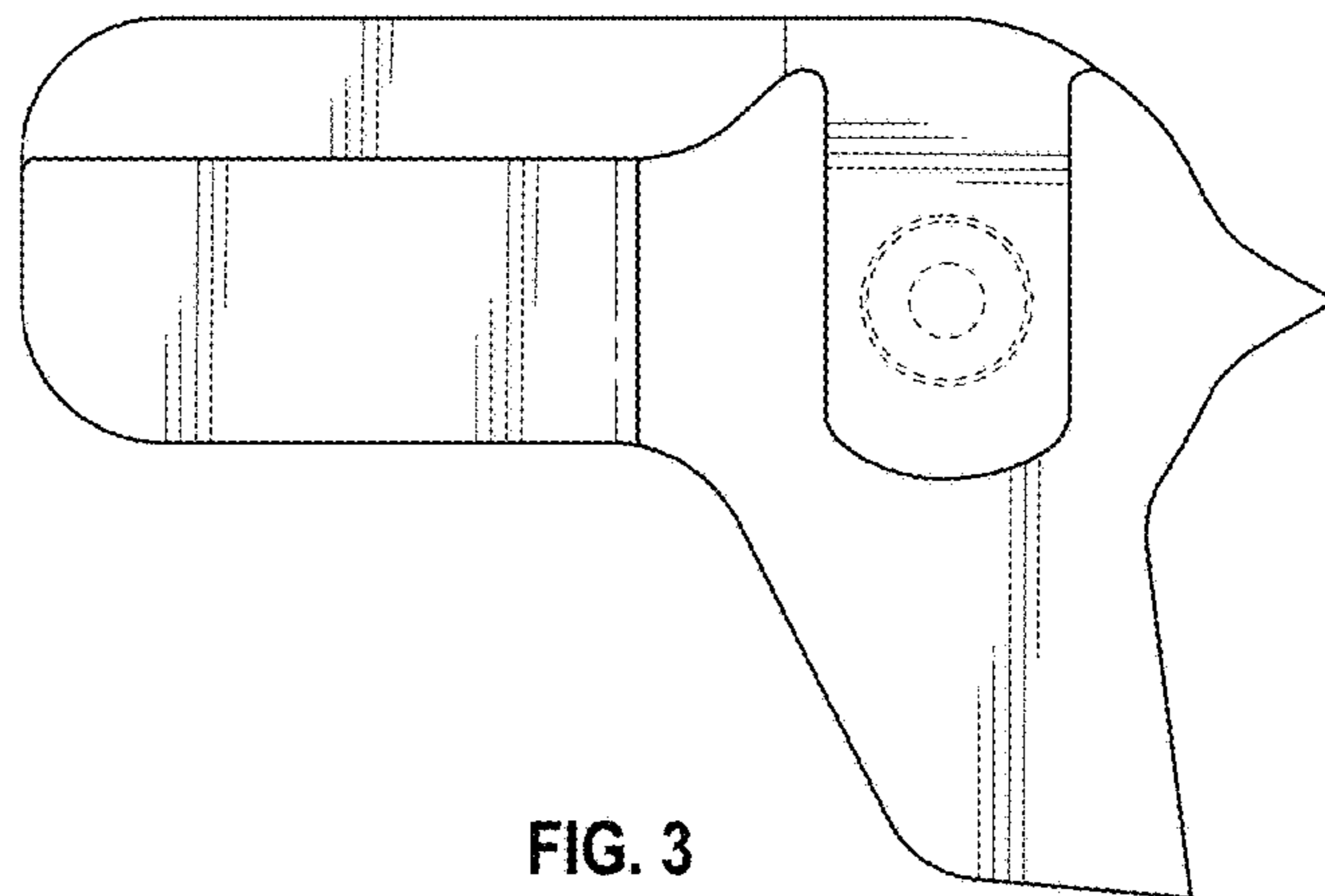


FIG. 3

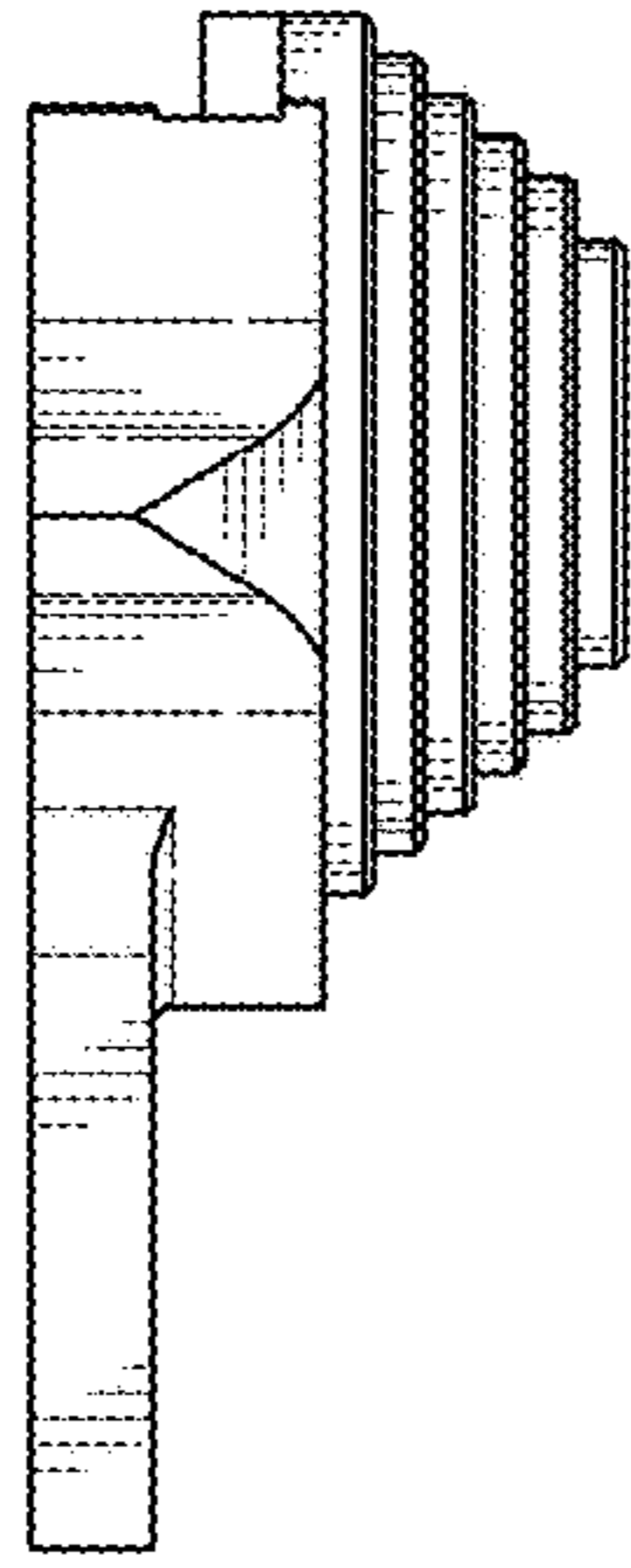


FIG. 4

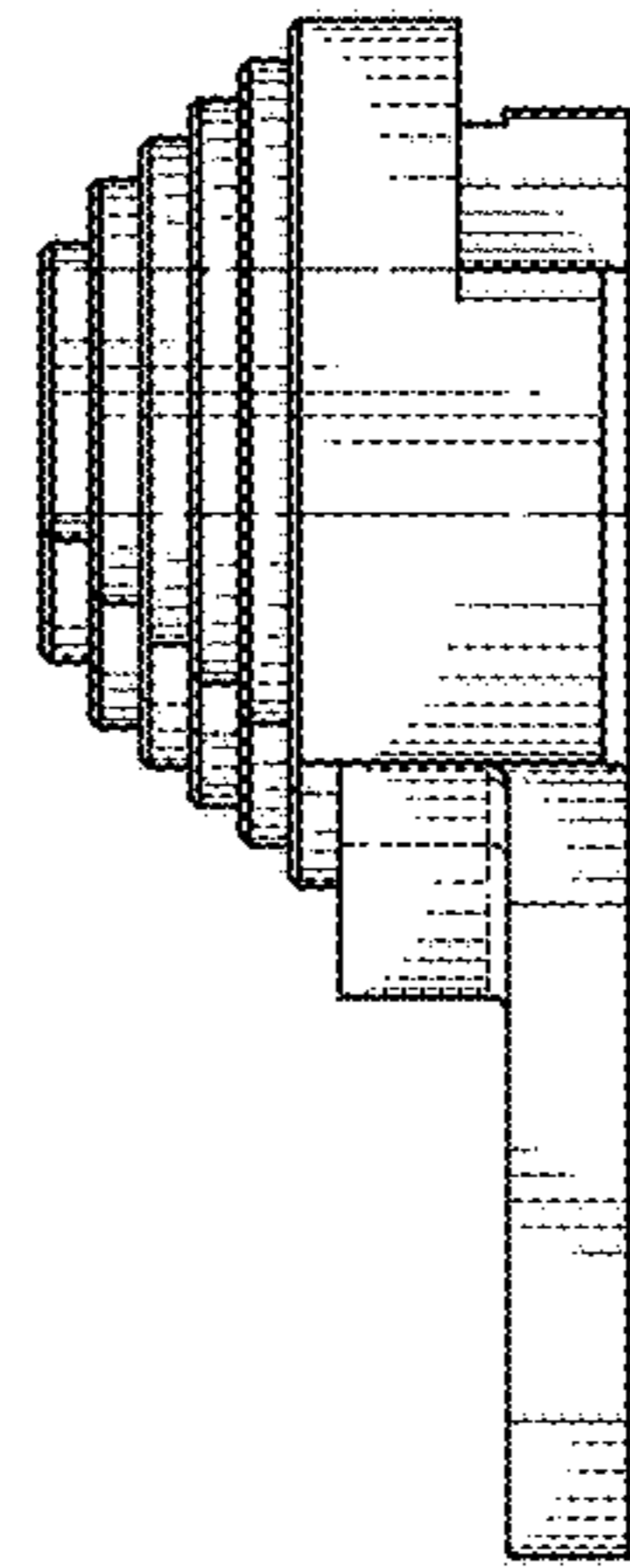


FIG. 5

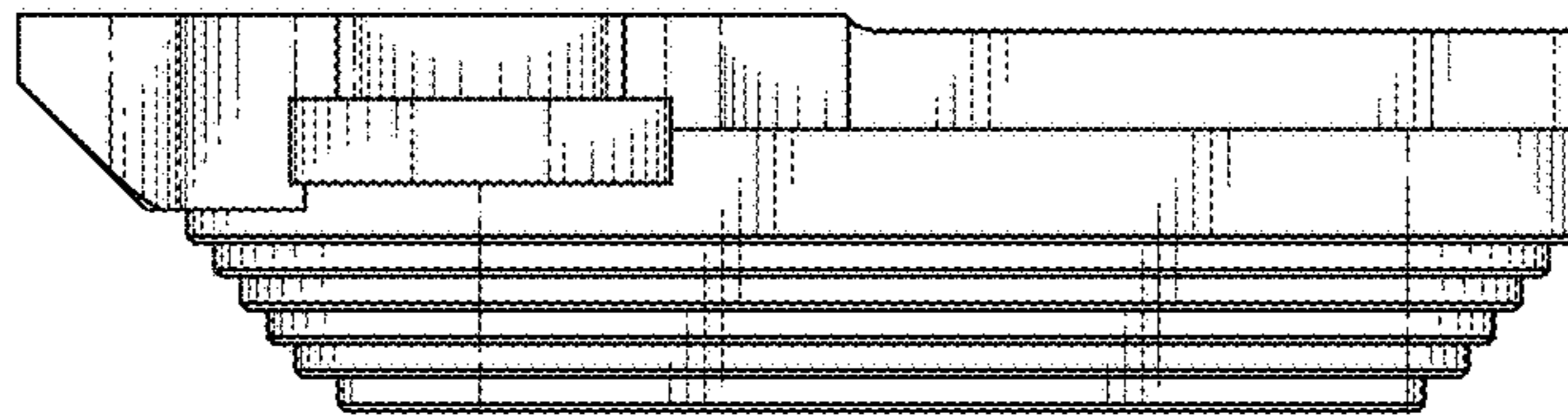


FIG. 6

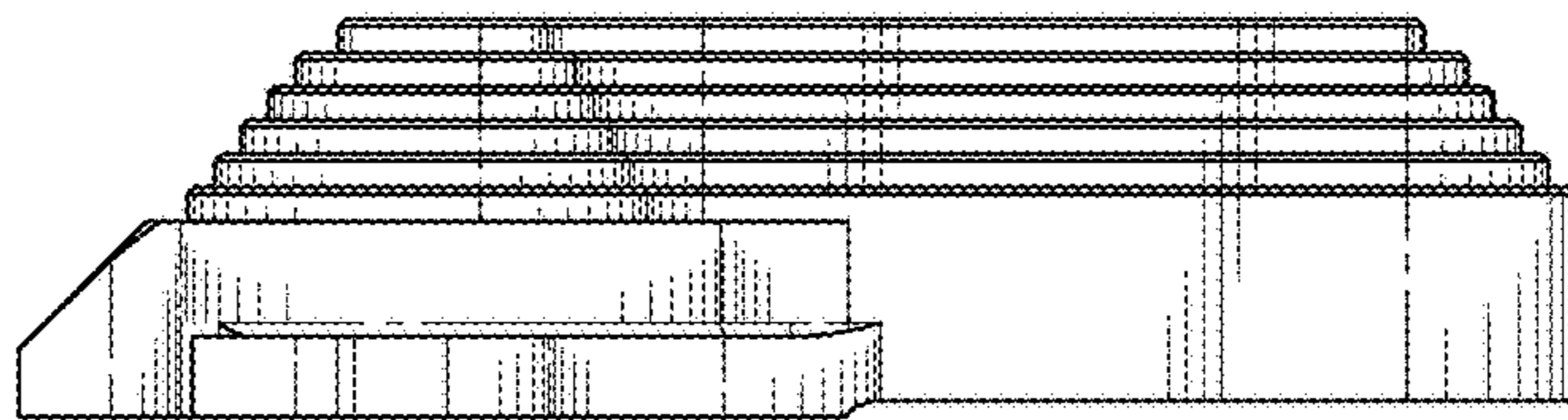


FIG. 7



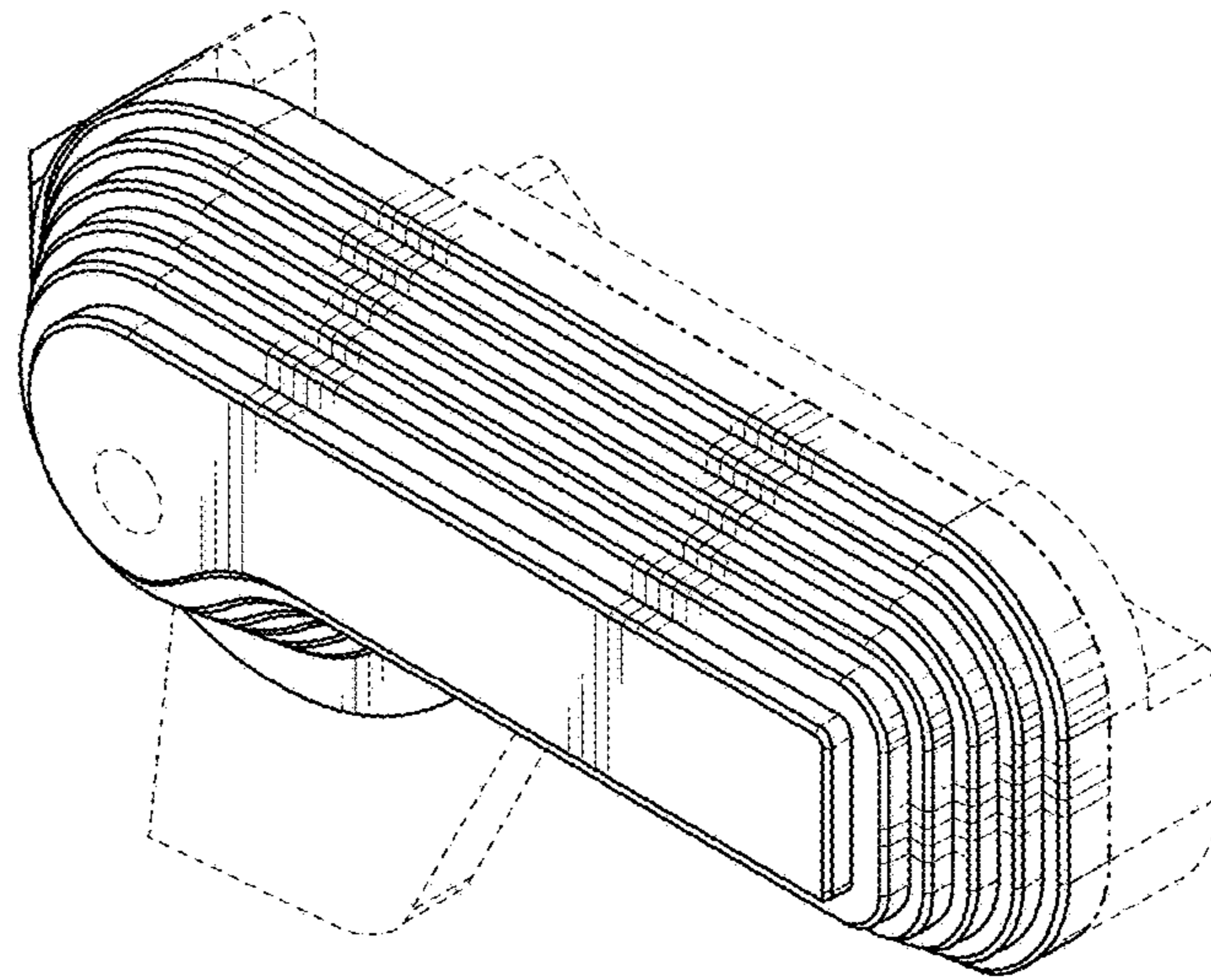


FIG. 8

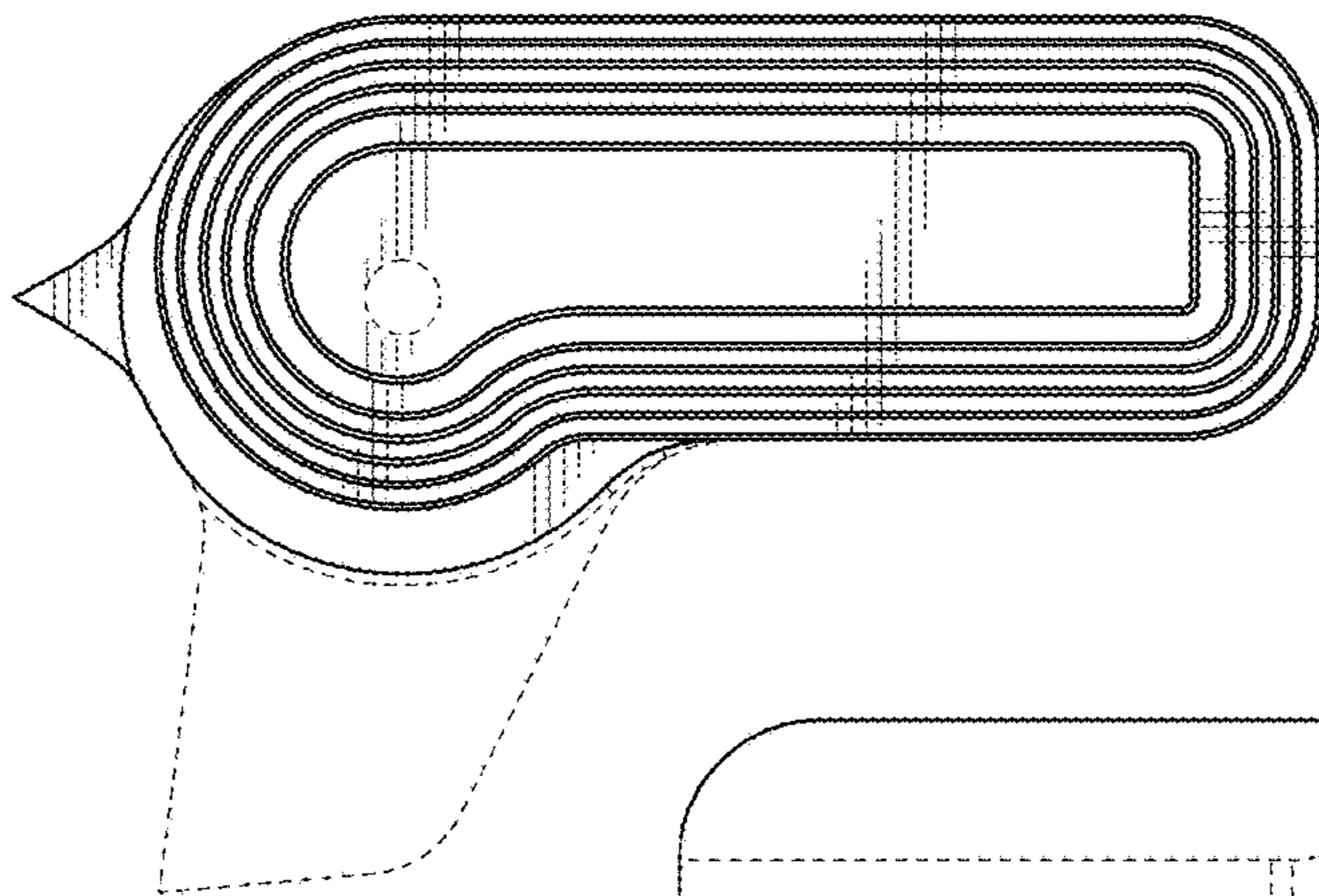


FIG. 9

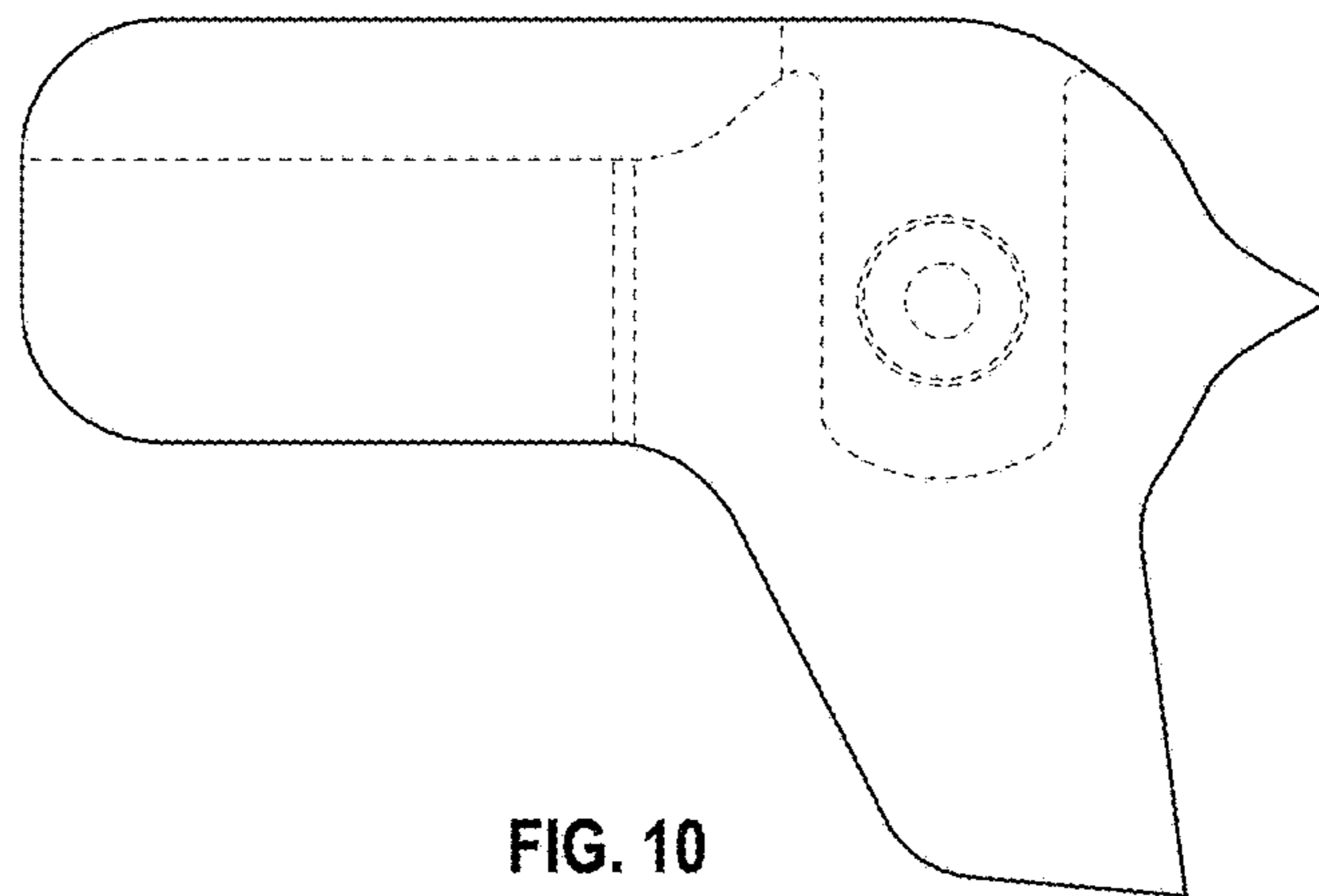


FIG. 10

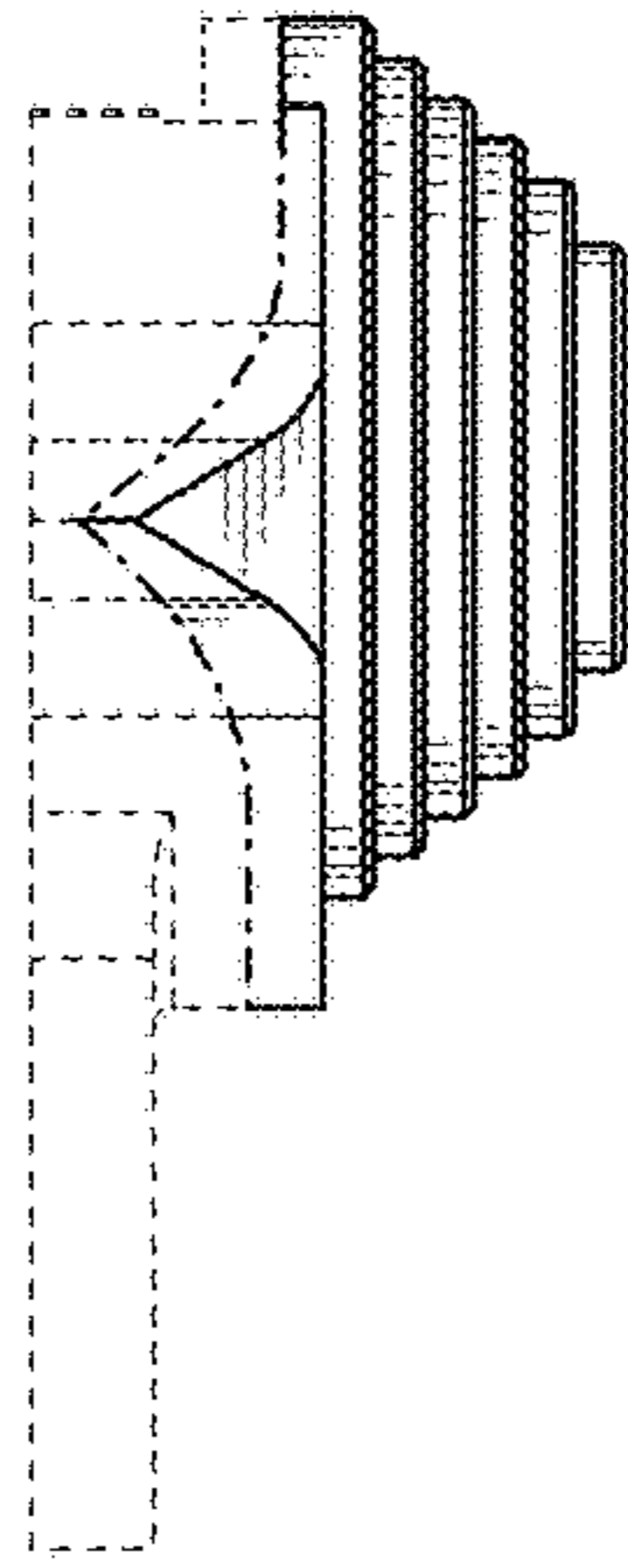


FIG. 11

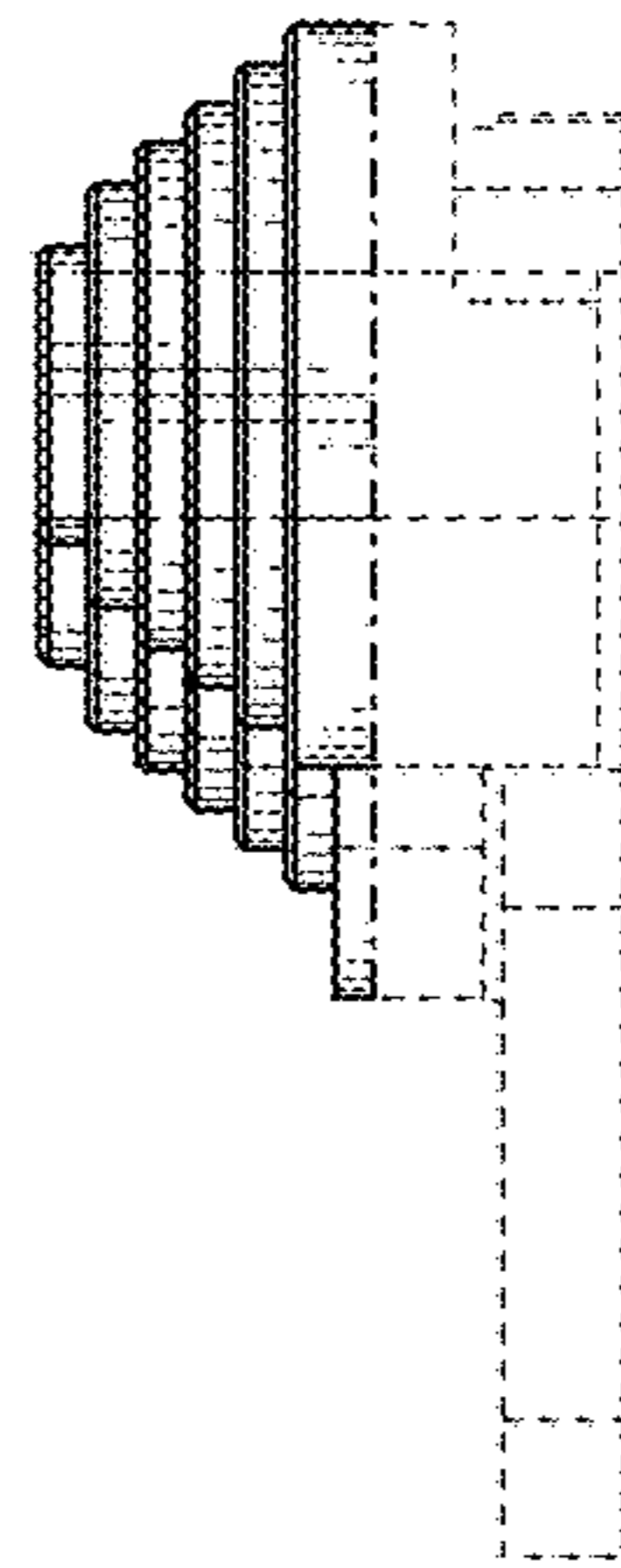


FIG. 12

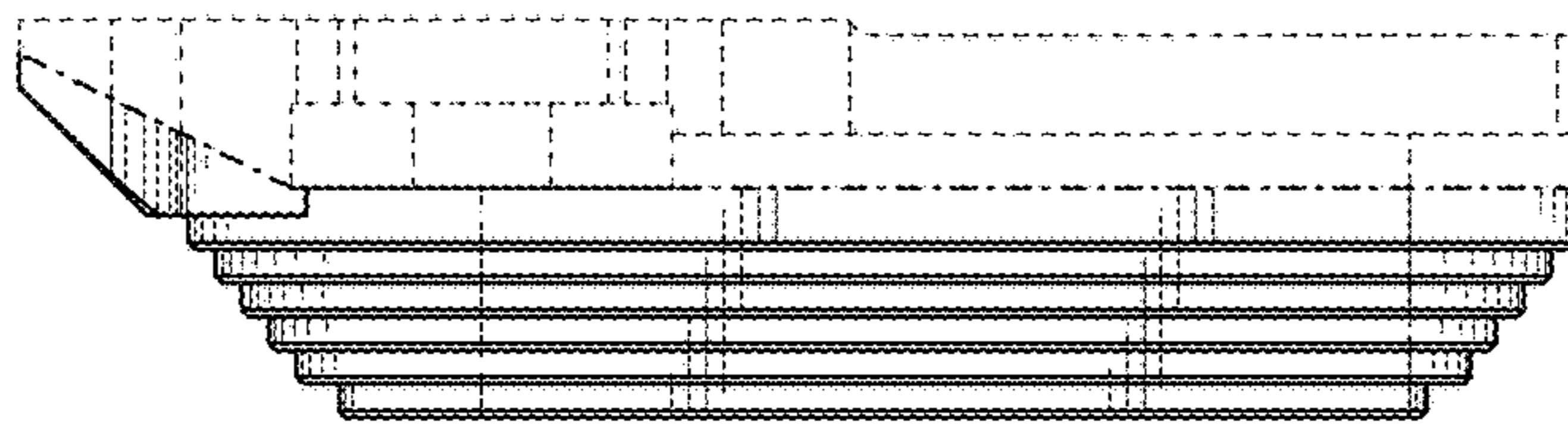


FIG. 13

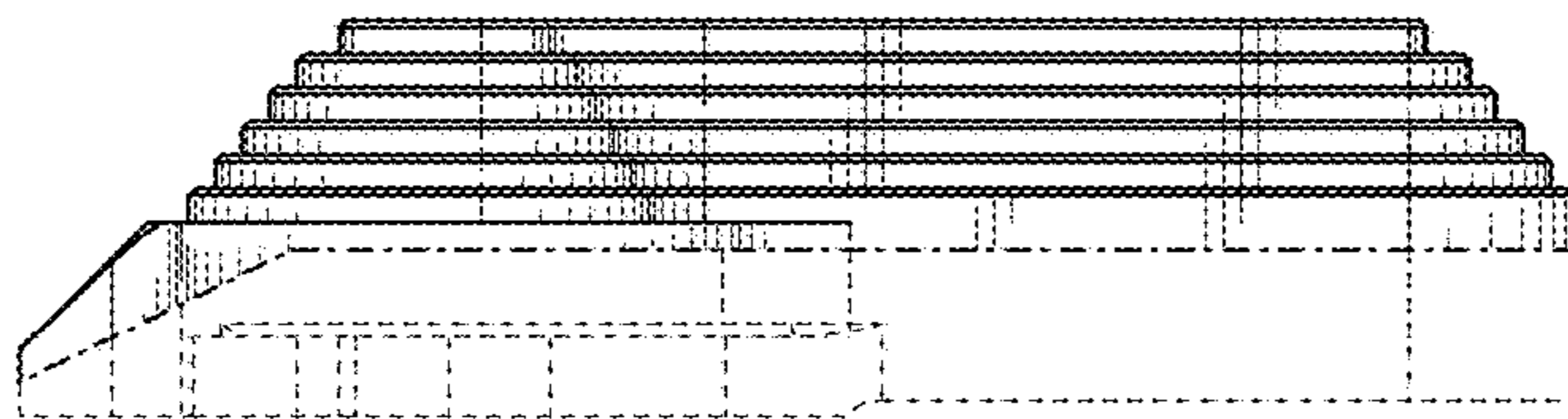


FIG. 14