



US00D855733S

(12) **United States Design Patent**  
**Wilson et al.**

(10) **Patent No.:** **US D855,733 S**

(45) **Date of Patent:** **\*\* Aug. 6, 2019**

(54) **FIREARM FRAME**

(71) Applicant: **Wilson's Gun Shop, Inc.**, Berryville,  
AR (US)

(72) Inventors: **Billy James Wilson**, Berryville, AR  
(US); **Paul T. Noonan**, Boise, ID (US);  
**Aaron Neal Trout**, Berryville, AR  
(US); **Brent David Boyer**, Berryville,  
AR (US)

(73) Assignee: **Wilson's Gun Shop, Inc.**, Berryville,  
AR (US)

(\*\*) Term: **15 Years**

(21) Appl. No.: **29/614,190**

(22) Filed: **Aug. 16, 2017**

(51) **LOC (12) Cl.** ..... **22-01**

(52) **U.S. Cl.**  
USPC ..... **D22/108**

(58) **Field of Classification Search**  
USPC ..... D22/104, 108  
CPC ..... F41C 3/14; F41C 3/16; F41C 3/04  
See application file for complete search history.

(56) **References Cited**

**U.S. PATENT DOCUMENTS**

4,625,445 A \* 12/1986 Ruger ..... F41C 23/10  
42/71.02  
D345,002 S \* 3/1994 Strayer ..... D22/104

D366,514 S \* 1/1996 Hochstrate ..... D22/104  
D817,435 S \* 5/2018 Chen ..... D22/108  
D838,802 S \* 1/2019 Oglesby ..... D22/108

\* cited by examiner

*Primary Examiner* — Michael A. Pratt

(57) **CLAIM**

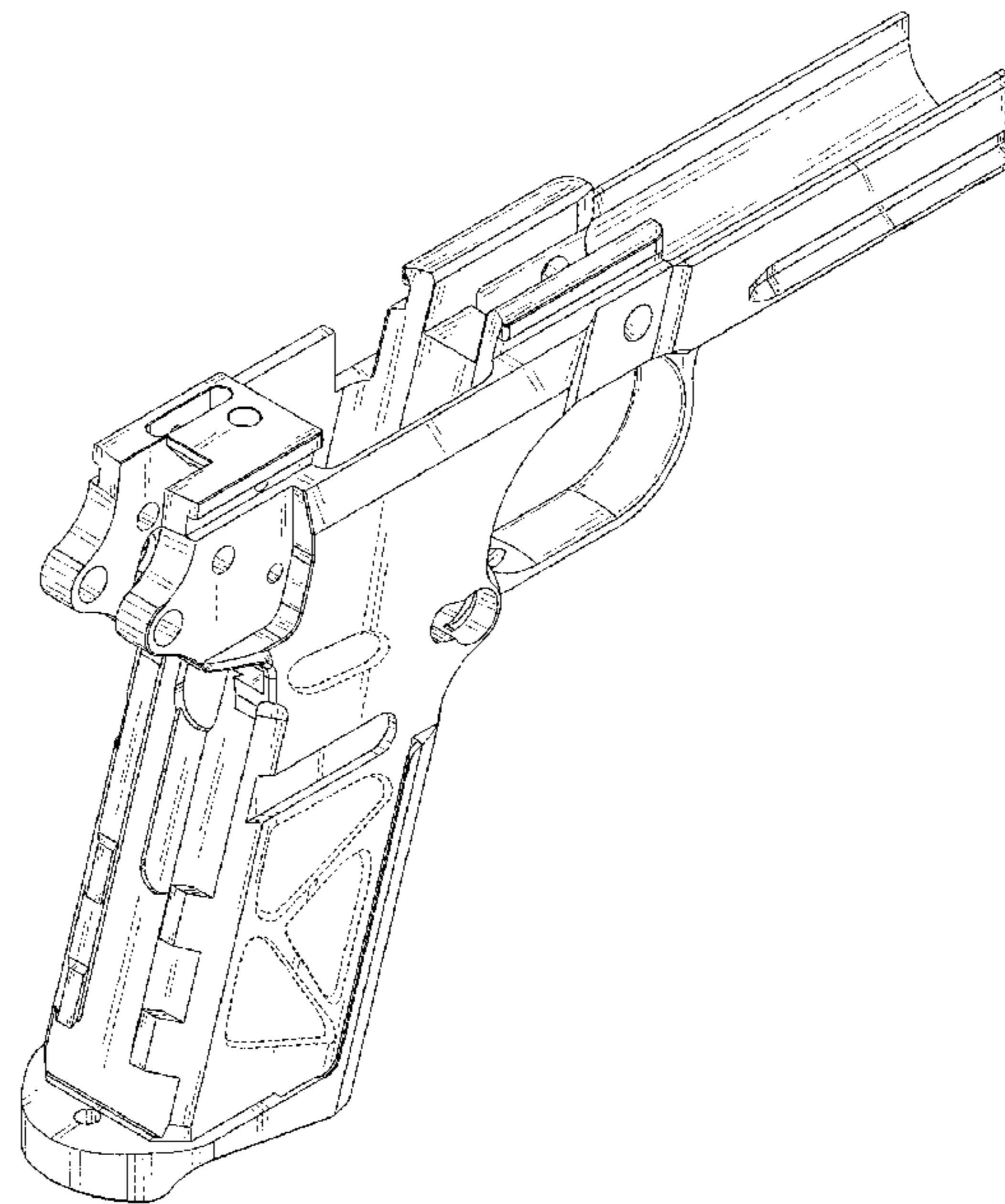
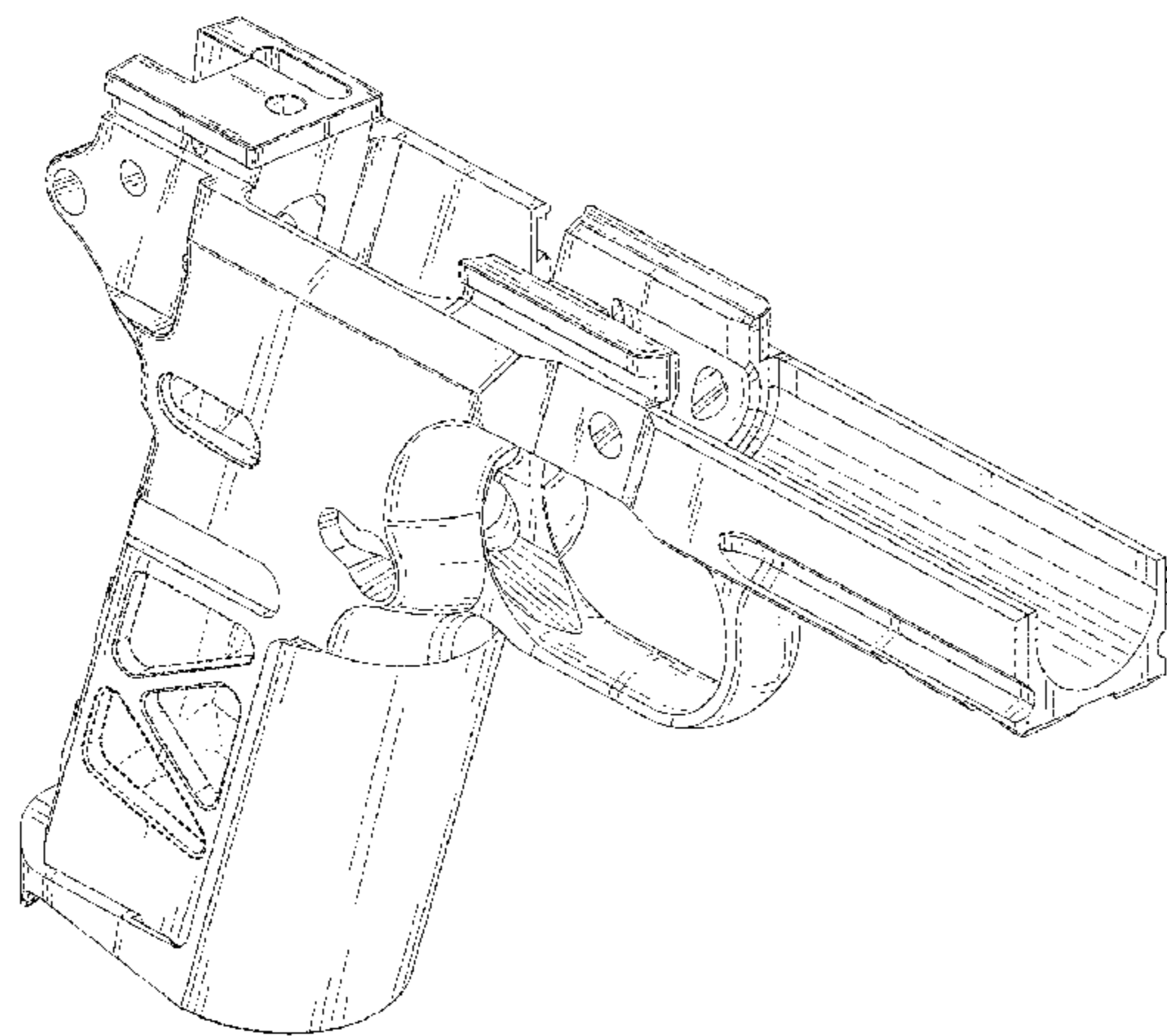
We claim ornamental design for a firearm frame, as shown and described.

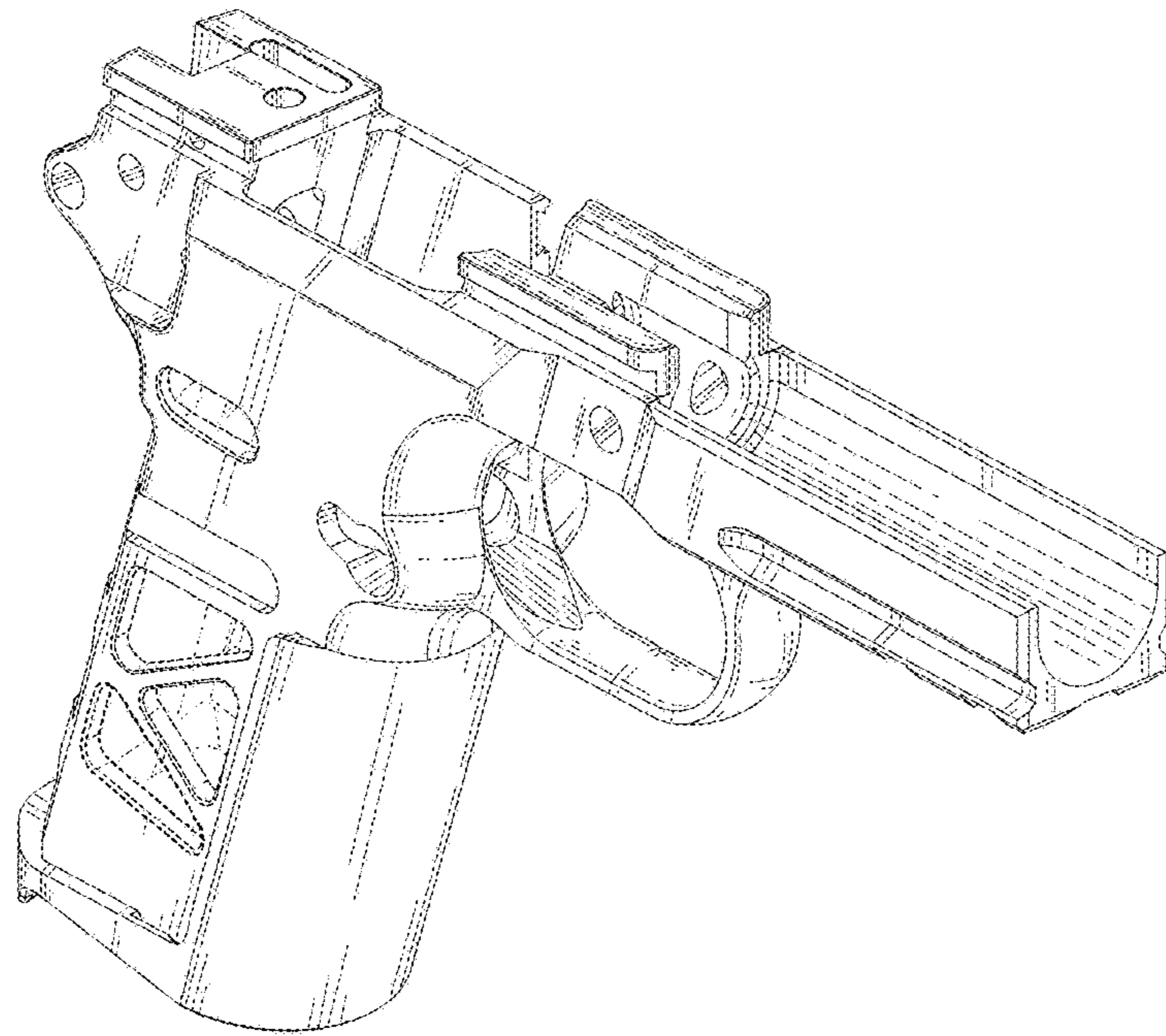
**DESCRIPTION**

FIG. 1 is a front perspective view of a firearm frame according to the present invention;  
FIG. 2 is a rear perspective view of the firearm frame of FIG. 1;  
FIG. 3 is a front view of the firearm frame of FIG. 1;  
FIG. 4 is a rear view of the firearm frame of FIG. 1;  
FIG. 5 is a right-side view of the firearm frame of FIG. 1;  
FIG. 6 is a left-side view of the firearm frame of FIG. 1;  
FIG. 7 is a top view of the firearm frame of FIG. 1;  
FIG. 8 is a bottom view of the firearm frame of FIG. 1;  
FIG. 9 is a top view of an opening for a magazine in the firearm frame of FIG. 1; and,  
FIG. 10 is a bottom view of the opening for the magazine of FIG. 9.

The broken line showing is included for the purpose of illustrating portions of the firearm frame that form no part of the claimed design.

**1 Claim, 10 Drawing Sheets**





**FIG. 1**

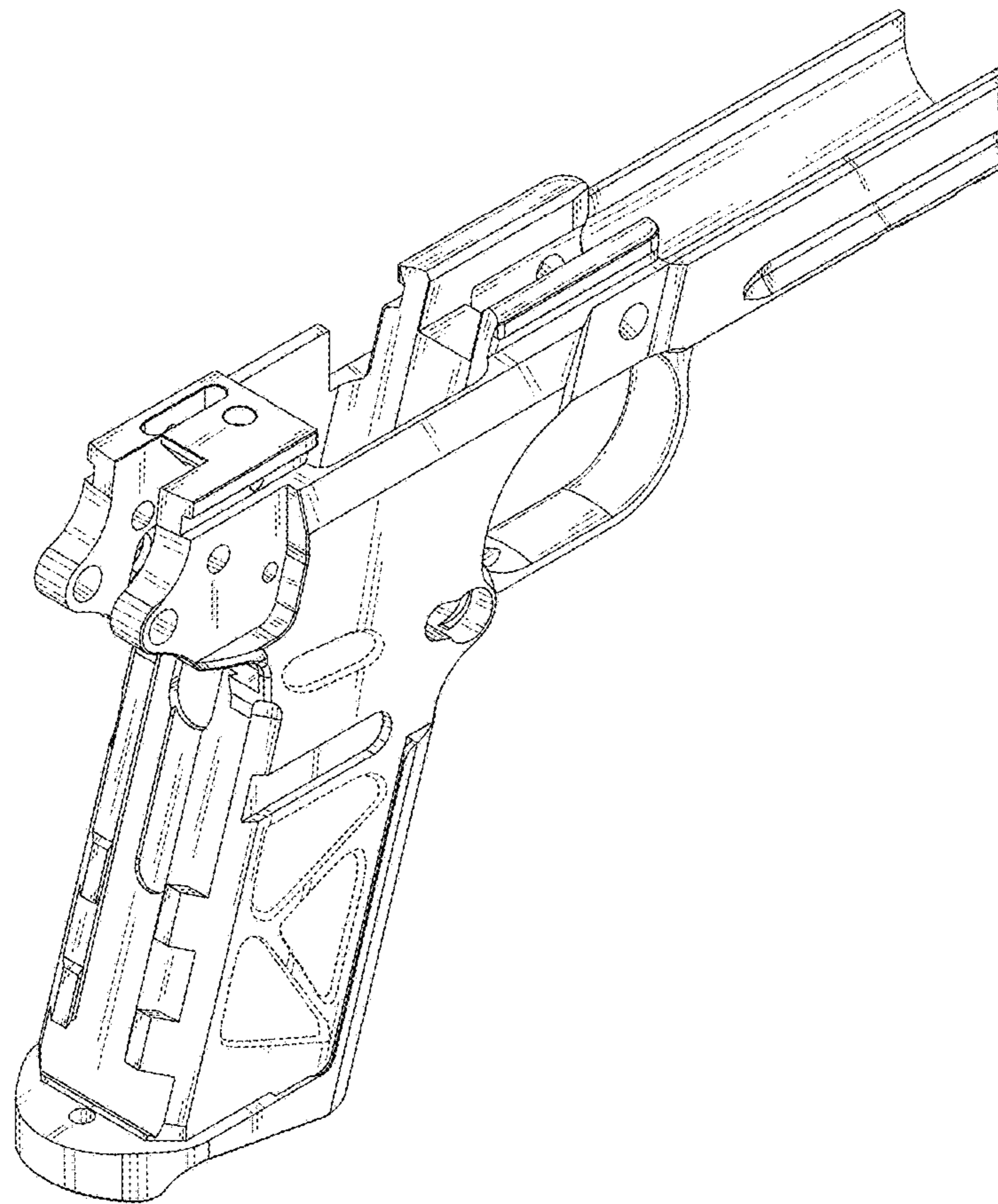
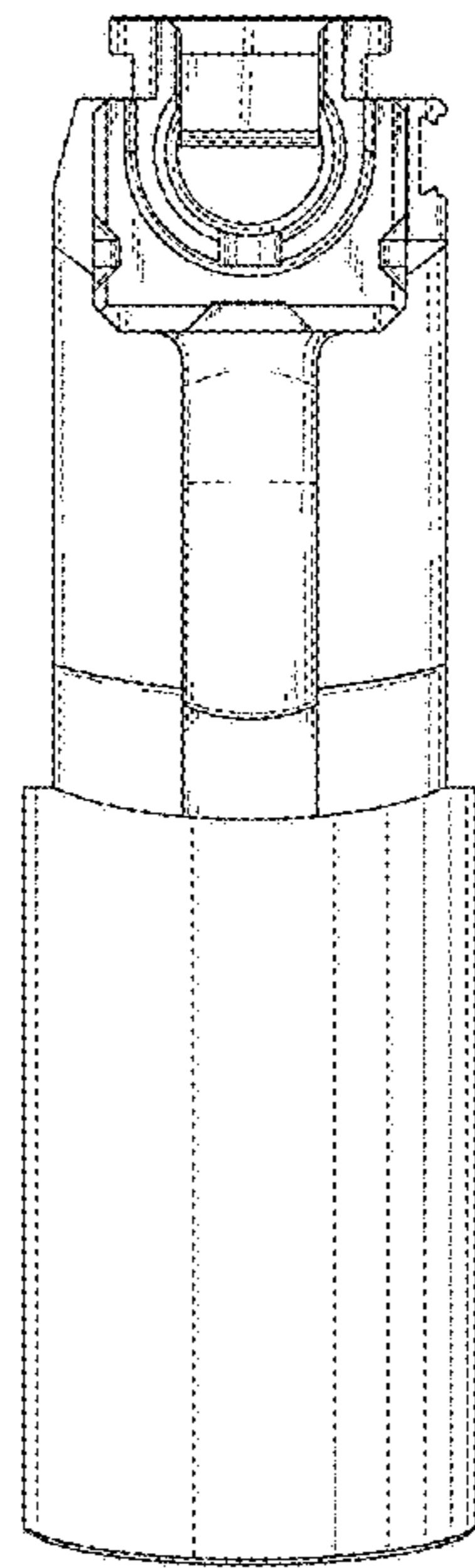


FIG. 2



**FIG. 3**

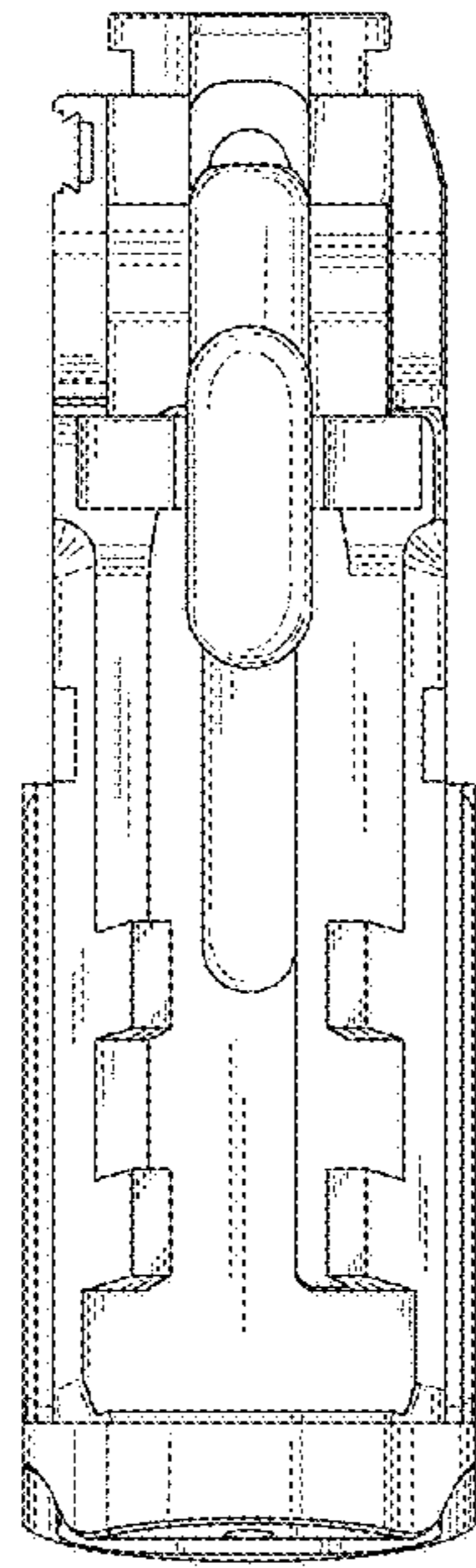


FIG. 4

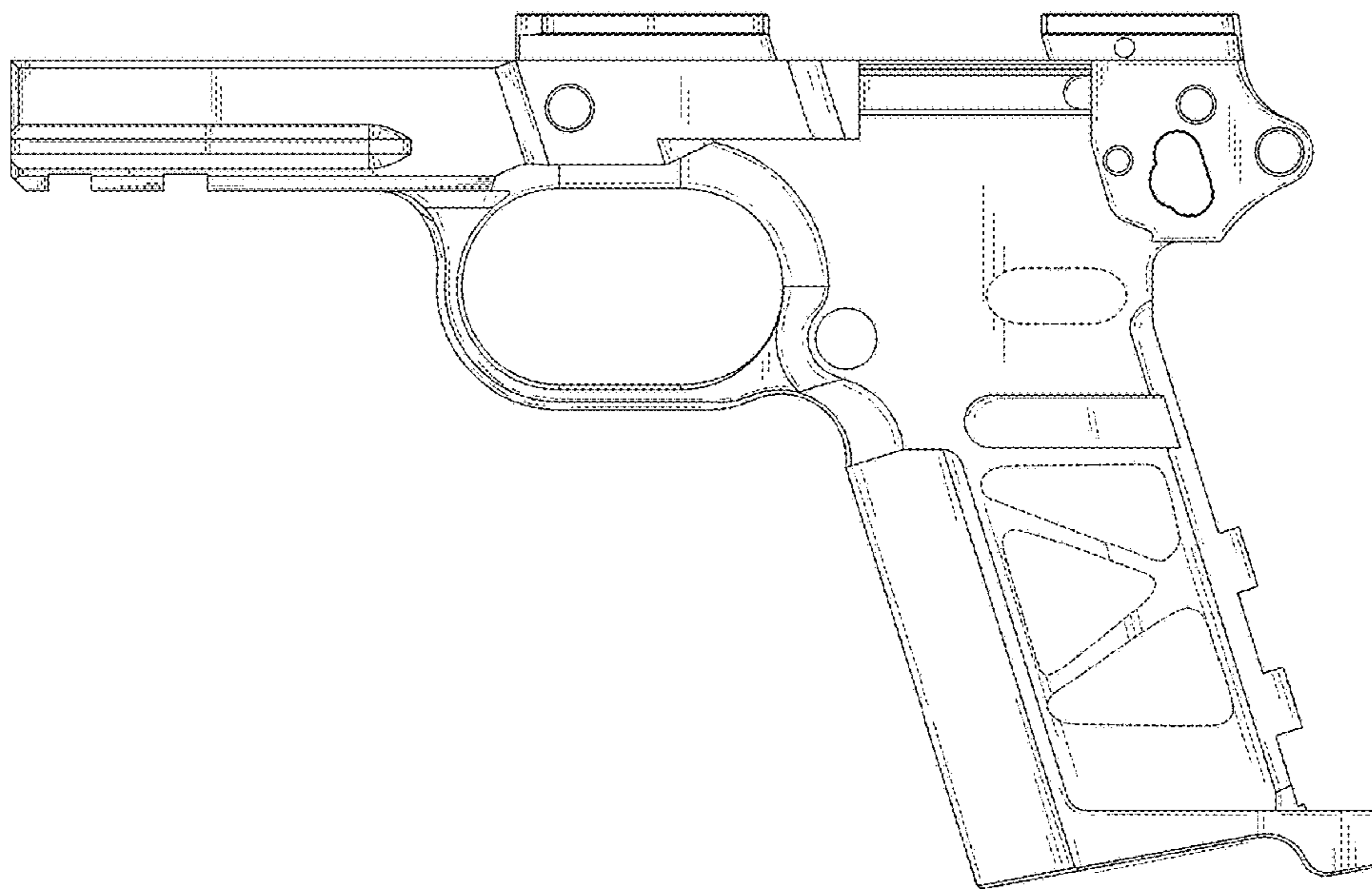


FIG. 5

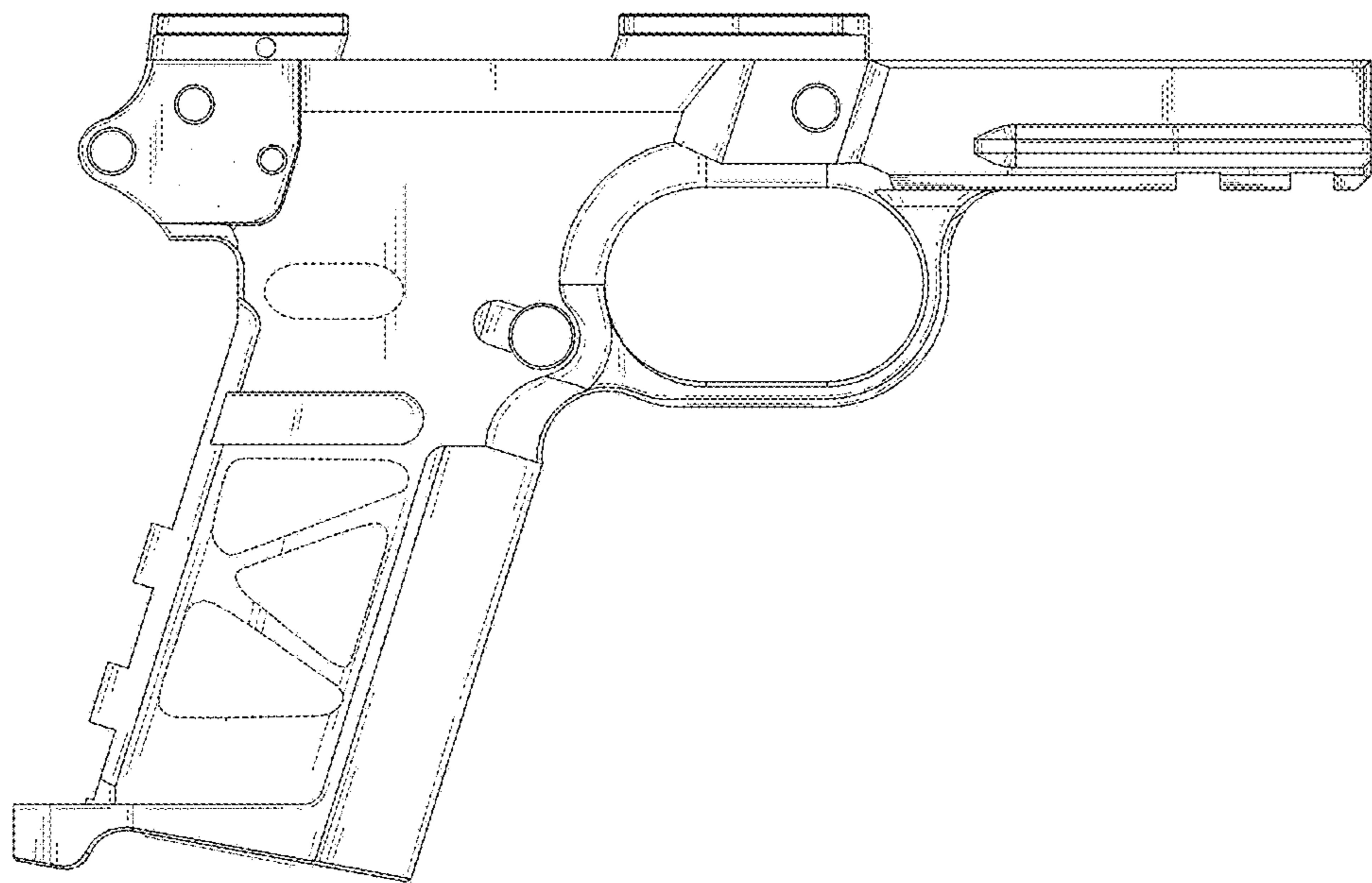


FIG. 6

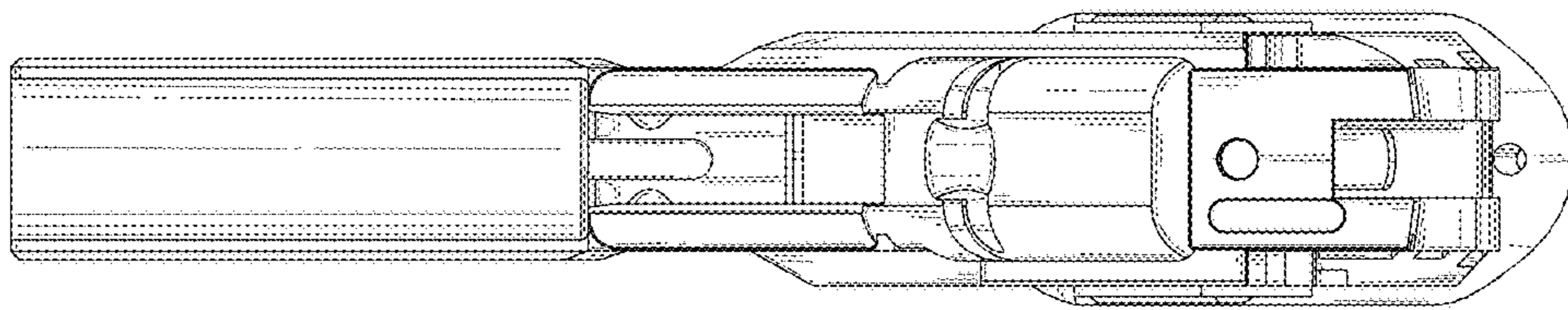


FIG. 7



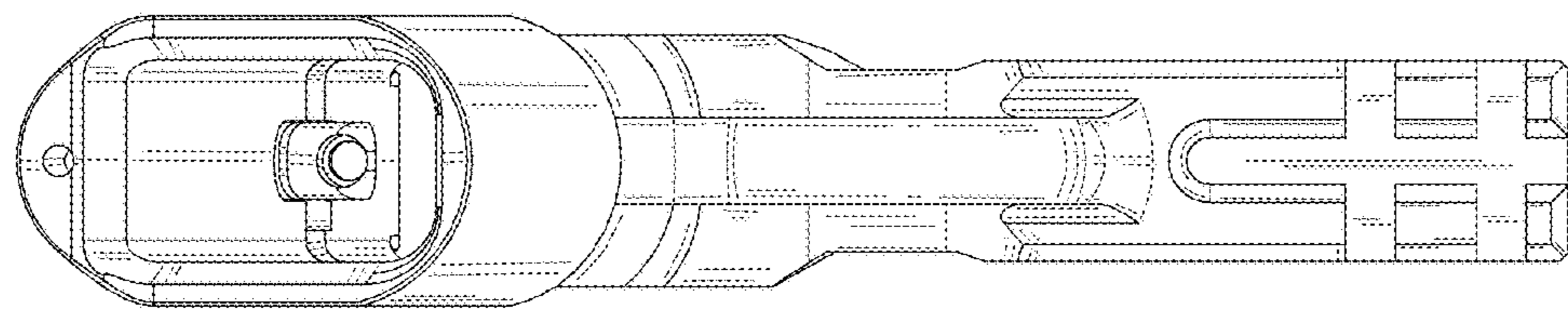


FIG. 8

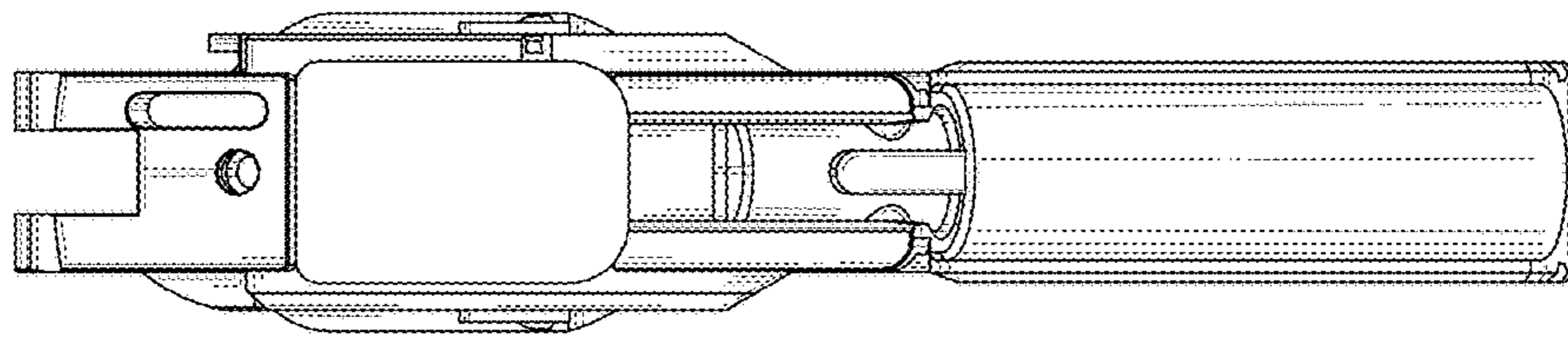


FIG. 9

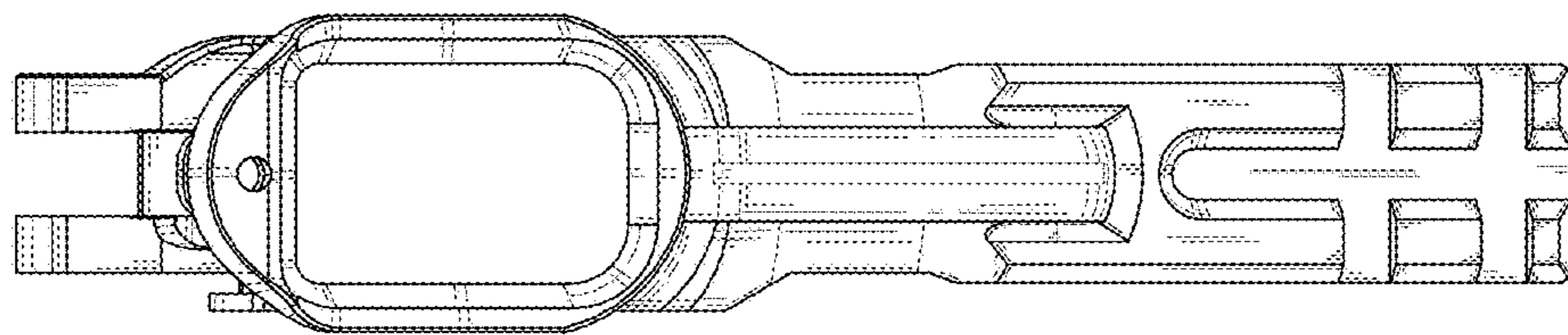


FIG. 10