



US00D855730S

(12) **United States Design Patent** (10) **Patent No.:** **US D855,730 S**  
**Stamm et al.** (45) **Date of Patent:** **\*\* Aug. 6, 2019**

(54) **DUAL-GRIP PORTABLE COUNTERMEASURE DEVICE AGAINST UNMANNED SYSTEMS**

(71) Applicant: **Battelle Memorial Institute**, Columbus, OH (US)

(72) Inventors: **Daniel E. Stamm**, Columbus, OH (US); **Alexander Morrow**, Gahanna, OH (US)

(73) Assignee: **BATTELLE MEMORIAL INSTITUTE**, Columbus, OH (US)

(\*\*) Term: **15 Years**

(21) Appl. No.: **29/610,100**

(22) Filed: **Jul. 10, 2017**

**Related U.S. Application Data**

(63) Continuation-in-part of application No. 15/596,842, filed on May 16, 2017, now Pat. No. 10,020,909, which is a continuation-in-part of application No. 15/274,021, filed on Sep. 23, 2016, now Pat. No. 10,103,835.

(60) Provisional application No. 62/222,475, filed on Sep. 23, 2015.

(51) **LOC (12) Cl.** ..... **22-01**

(52) **U.S. Cl.**  
USPC ..... **D22/108**

(58) **Field of Classification Search**  
USPC ..... D22/101, 104, 103, 108, 199  
CPC ..... F41B 11/55; F41B 11/51; F41B 11/62  
See application file for complete search history.

(56) **References Cited**

**U.S. PATENT DOCUMENTS**

D672,832 S *	12/2012	Gerwig .....	D22/103
D745,103 S *	12/2015	Corsi .....	D22/103
D769,394 S *	10/2016	Young .....	D22/103
D779,012 S *	2/2017	Abbott .....	D22/103
D787,619 S *	5/2017	Young .....	D22/103
D814,591 S *	4/2018	Kocgur .....	D22/103
D826,204 S *	8/2018	OZkaner .....	D14/155

**FOREIGN PATENT DOCUMENTS**

WO WO 2007/012148 A1 2/2007

\* cited by examiner

*Primary Examiner* — Michael A. Pratt

(74) *Attorney, Agent, or Firm* — Fay Sharpe LLP

(57) **CLAIM**

The ornamental design for a dual-grip portable countermeasure device against unmanned systems, as shown and described.

**DESCRIPTION**

FIG. 1 is a perspective view of the dual-grip portable countermeasure device against unmanned systems.

FIG. 2 is a right side view thereof.

FIG. 3 is a left side view thereof.

FIG. 4 is a top view thereof.

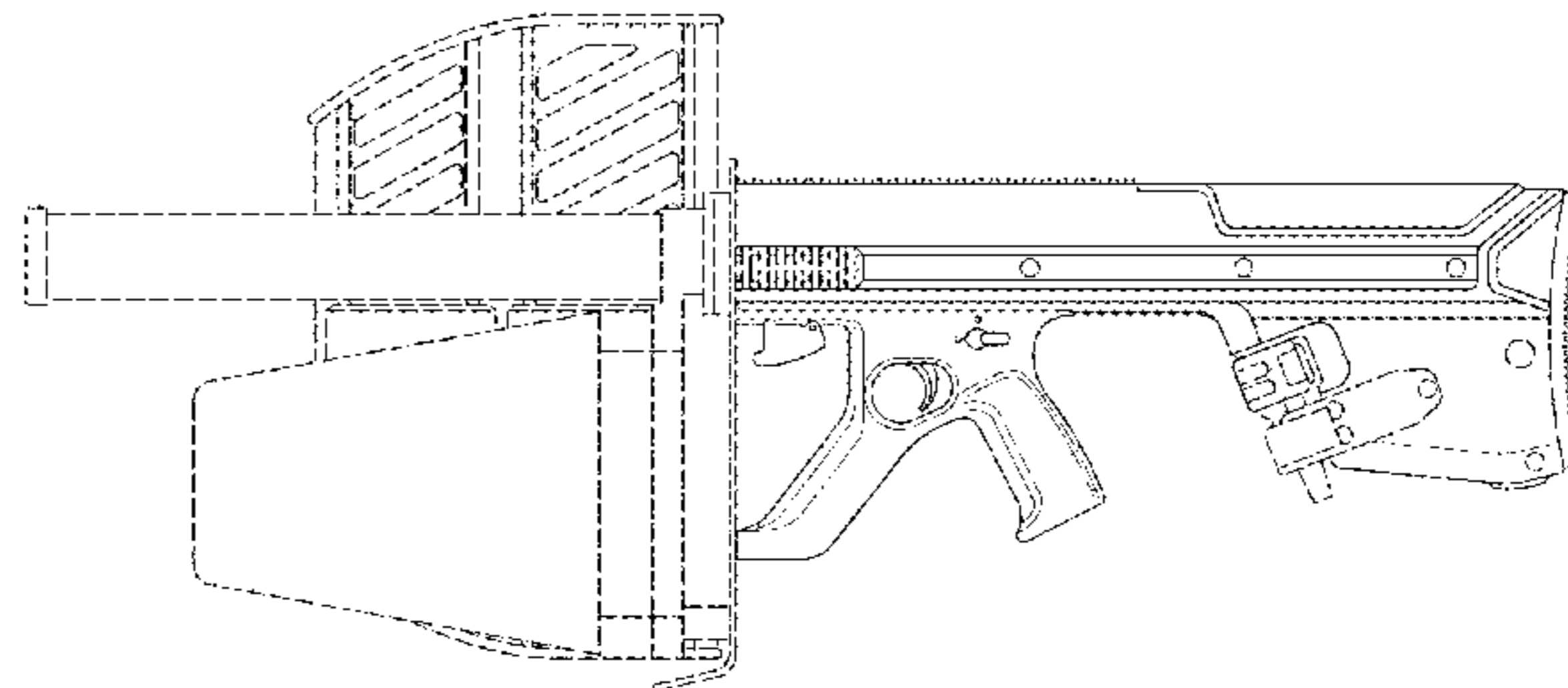
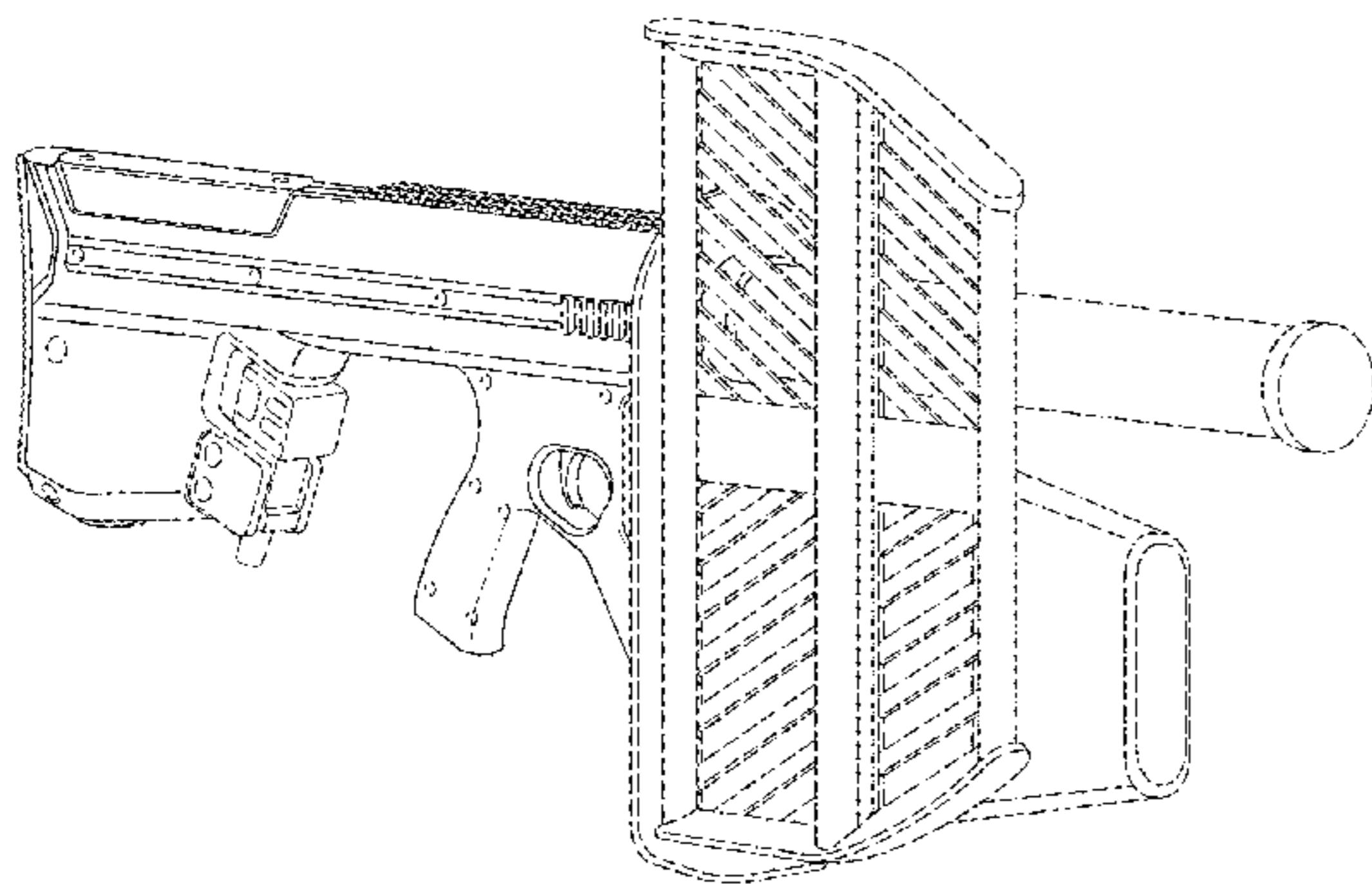
FIG. 5 is a bottom view thereof.

FIG. 6 is a rear view thereof; and,

FIG. 7 is a front view thereof.

The broken lines of FIGS. 1-7 illustrate portions of the article and form no part of the claimed design.

**1 Claim, 5 Drawing Sheets**



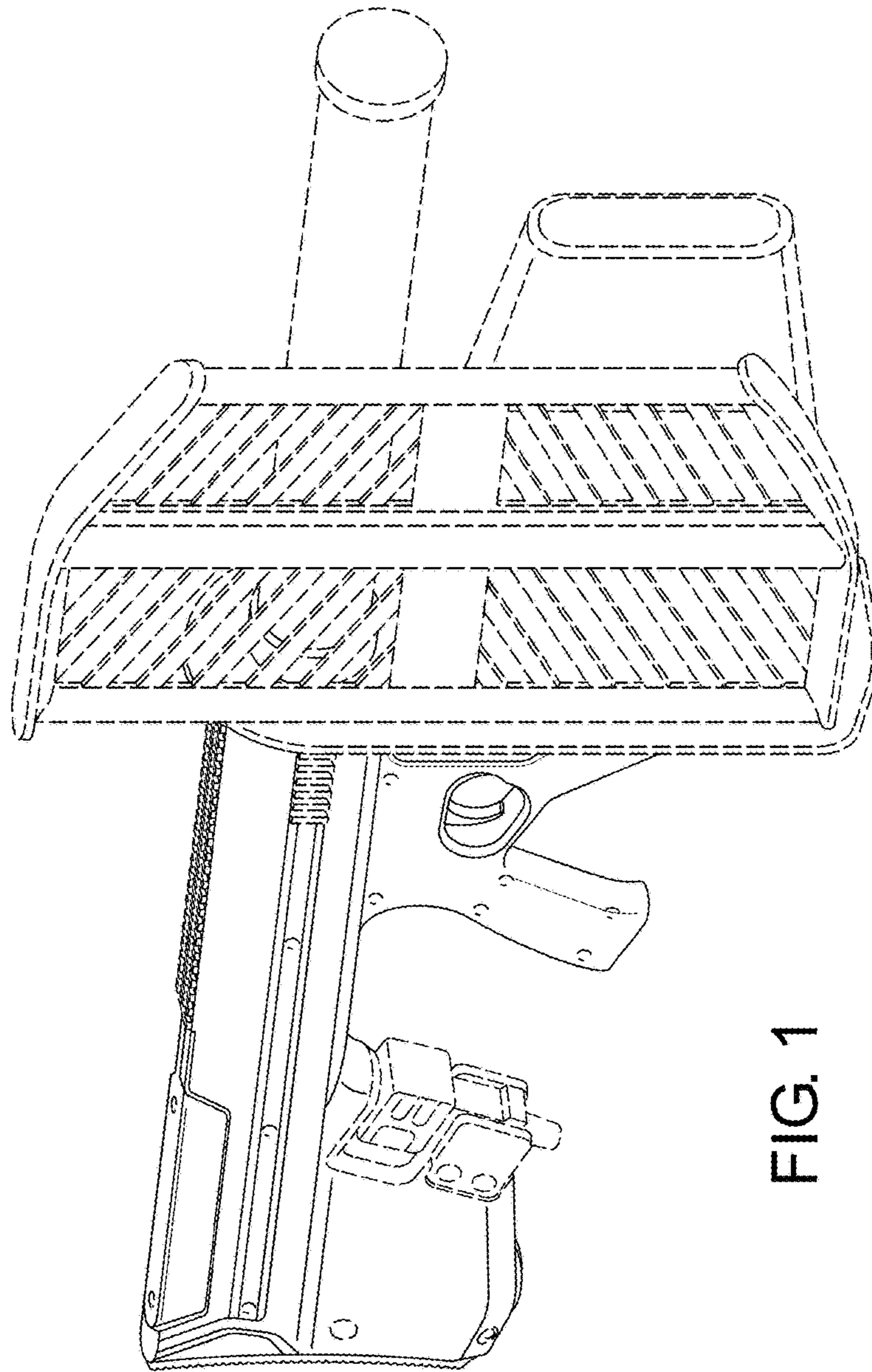


FIG. 1

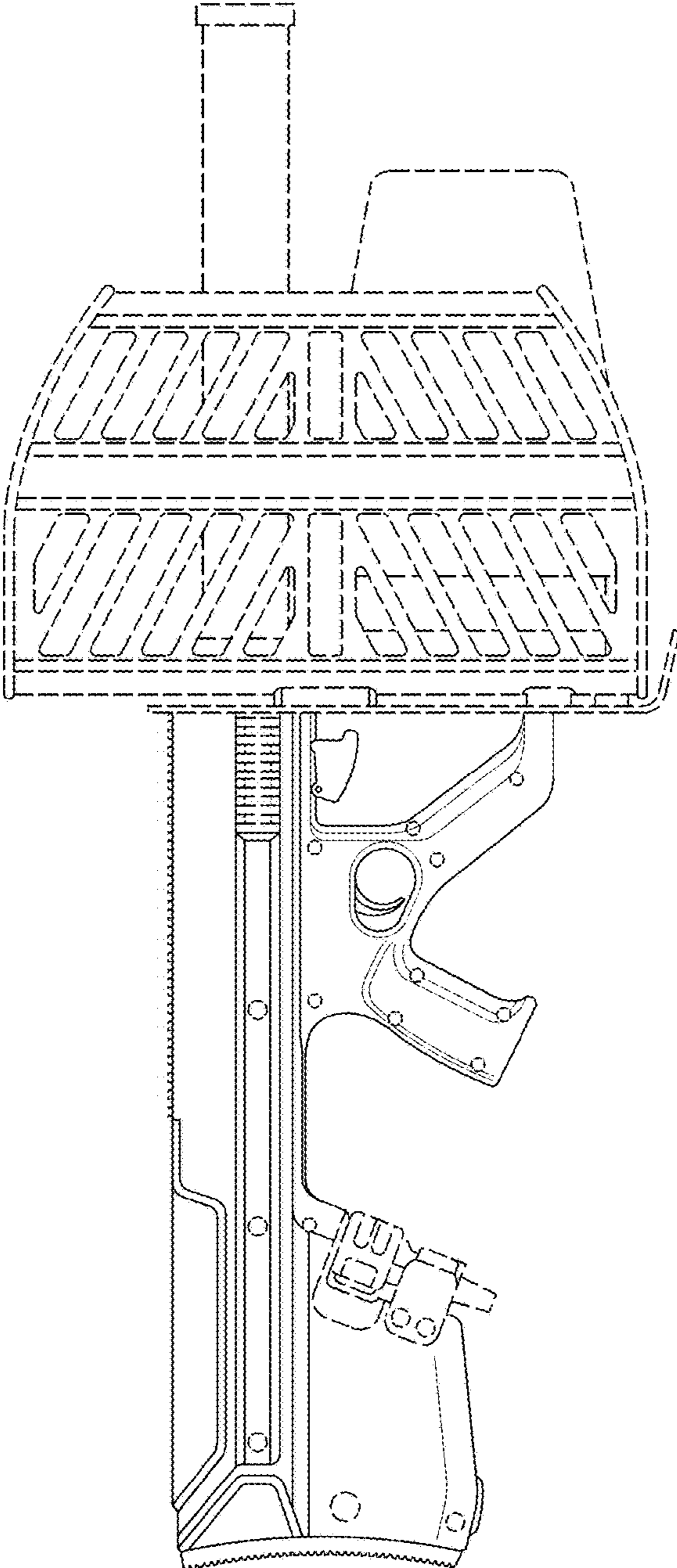


FIG. 2

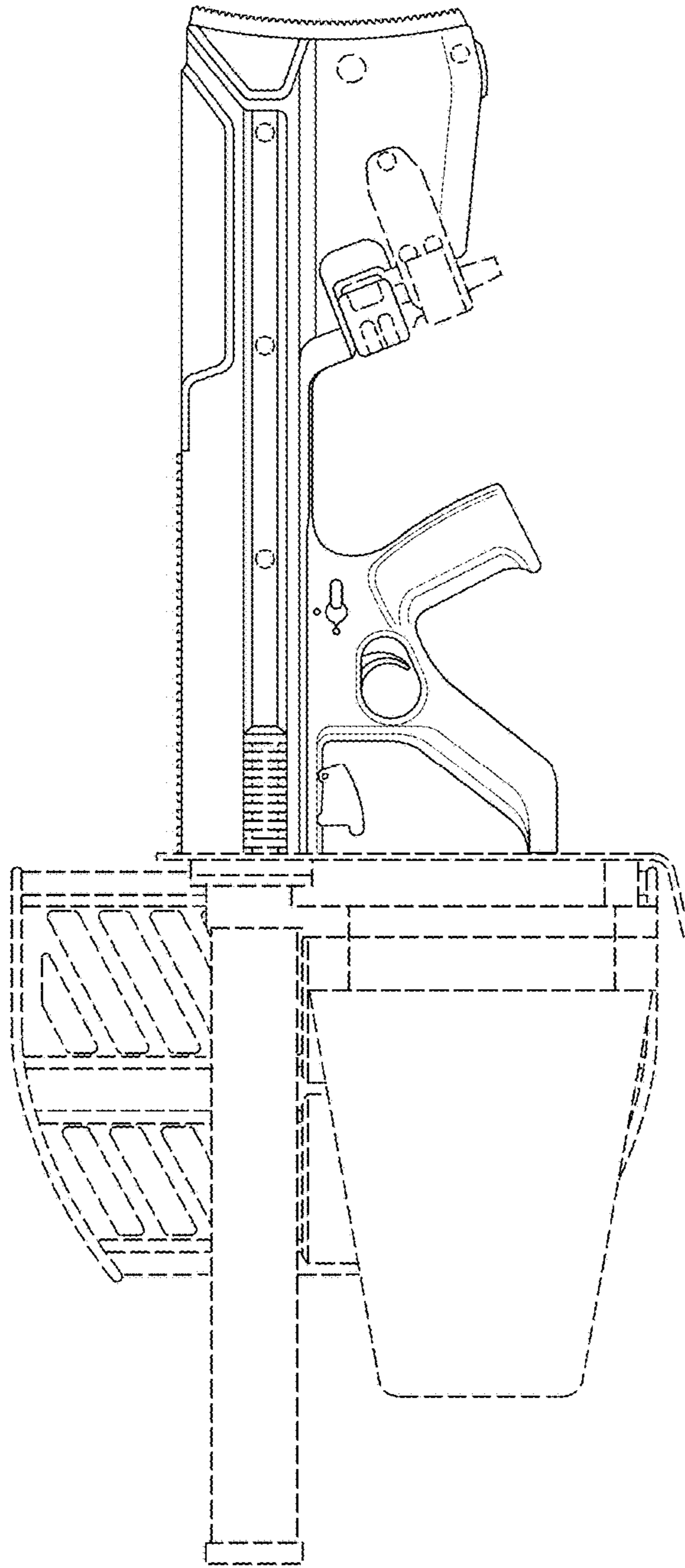


FIG. 3

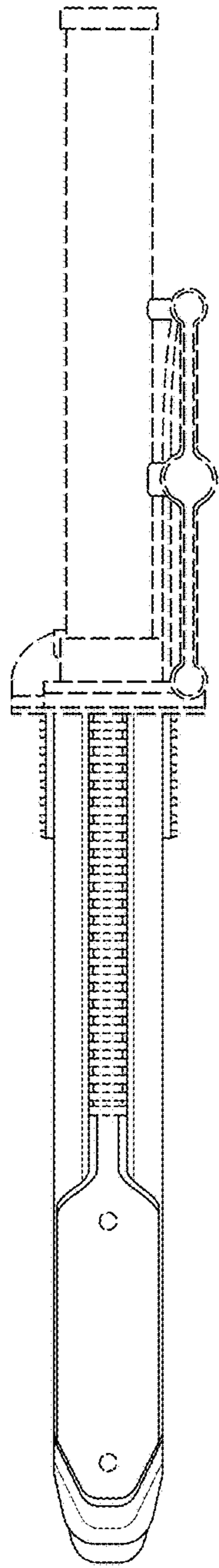


FIG. 4

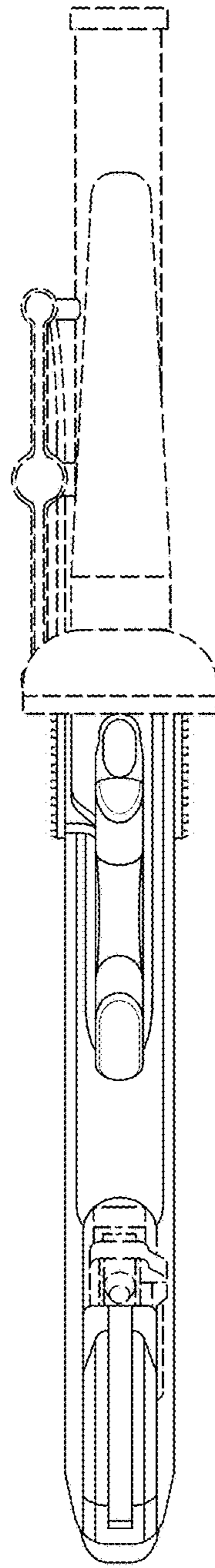


FIG. 5

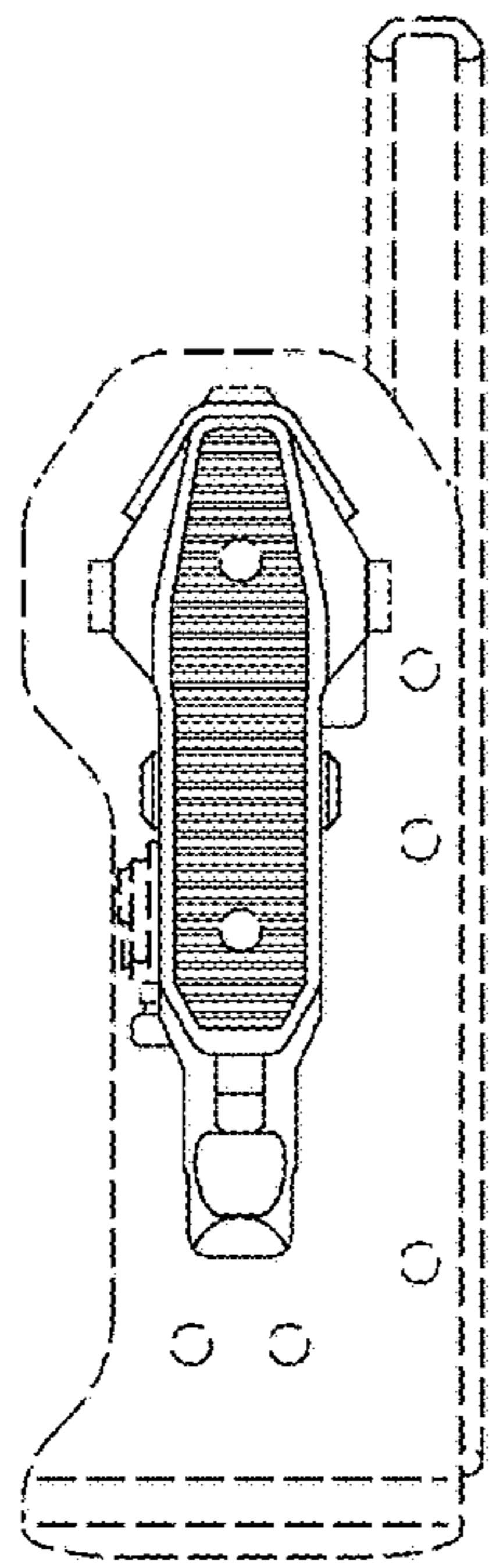


FIG. 6

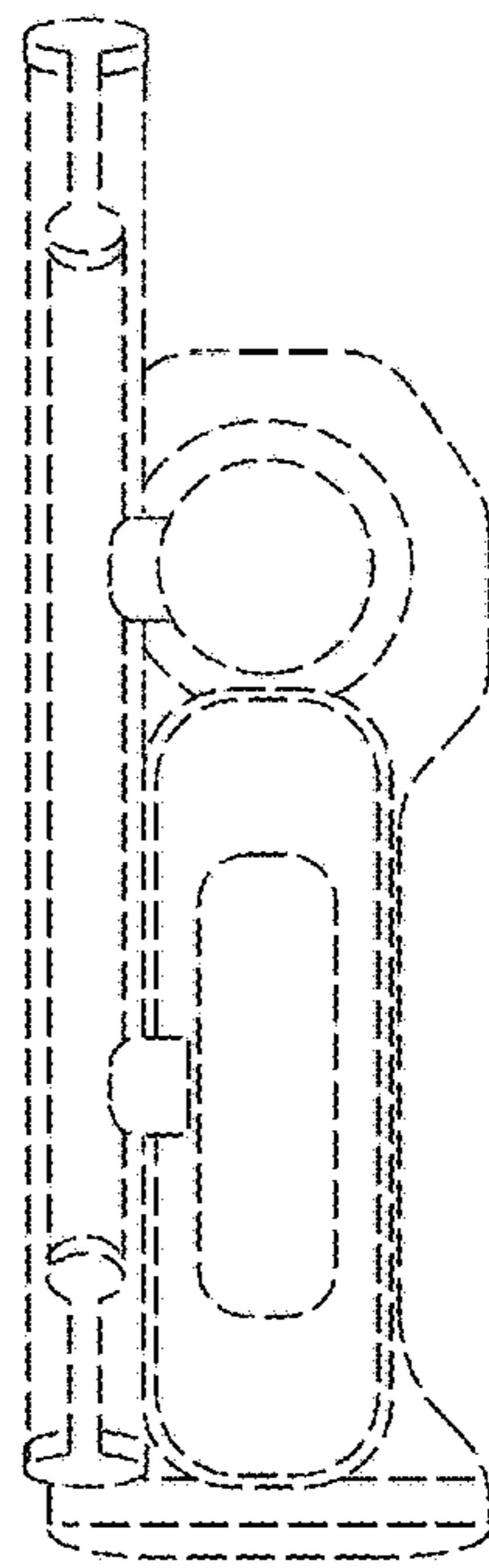


FIG. 7