



US00D855729S

(12) **United States Design Patent**
Kim

(10) **Patent No.:** **US D855,729 S**

(45) **Date of Patent:** **** Aug. 6, 2019**

(54) **SMART STUN GUN FOR SELF DEFENSE**

(71) Applicant: **INFOS TECHNOLOGY CO., LTD.**,
Seoul (KR)

(72) Inventor: **Beom Jin Kim**, Seoul (KR)

(**) Term: **15 Years**

(21) Appl. No.: **35/504,934**

(22) Filed: **Nov. 13, 2017**

(80) **Hague Agreement Data**

Int. Filing Date: **Nov. 13, 2017**

Int. Reg. No.: **DM/098647**

Int. Reg. Date: **Nov. 13, 2017**

Int. Reg. Pub. Date: **May 18, 2018**

(51) **LOC (12) Cl.** **22-01**

(52) **U.S. Cl.**
USPC **D22/104**

(58) **Field of Classification Search**
USPC D22/101, 104, 117; D26/38
CPC F41B 11/55; F41B 11/51; F41B 11/62
See application file for complete search history.

(56) **References Cited**

U.S. PATENT DOCUMENTS

D634,806 S *	3/2011	Uedelhoven	D22/104
D776,221 S *	1/2017	Malcolm	D22/104
D792,543 S *	7/2017	Lakatos	D22/104
D805,157 S *	12/2017	Pennington	D22/117

* cited by examiner

Primary Examiner — Michael A. Pratt

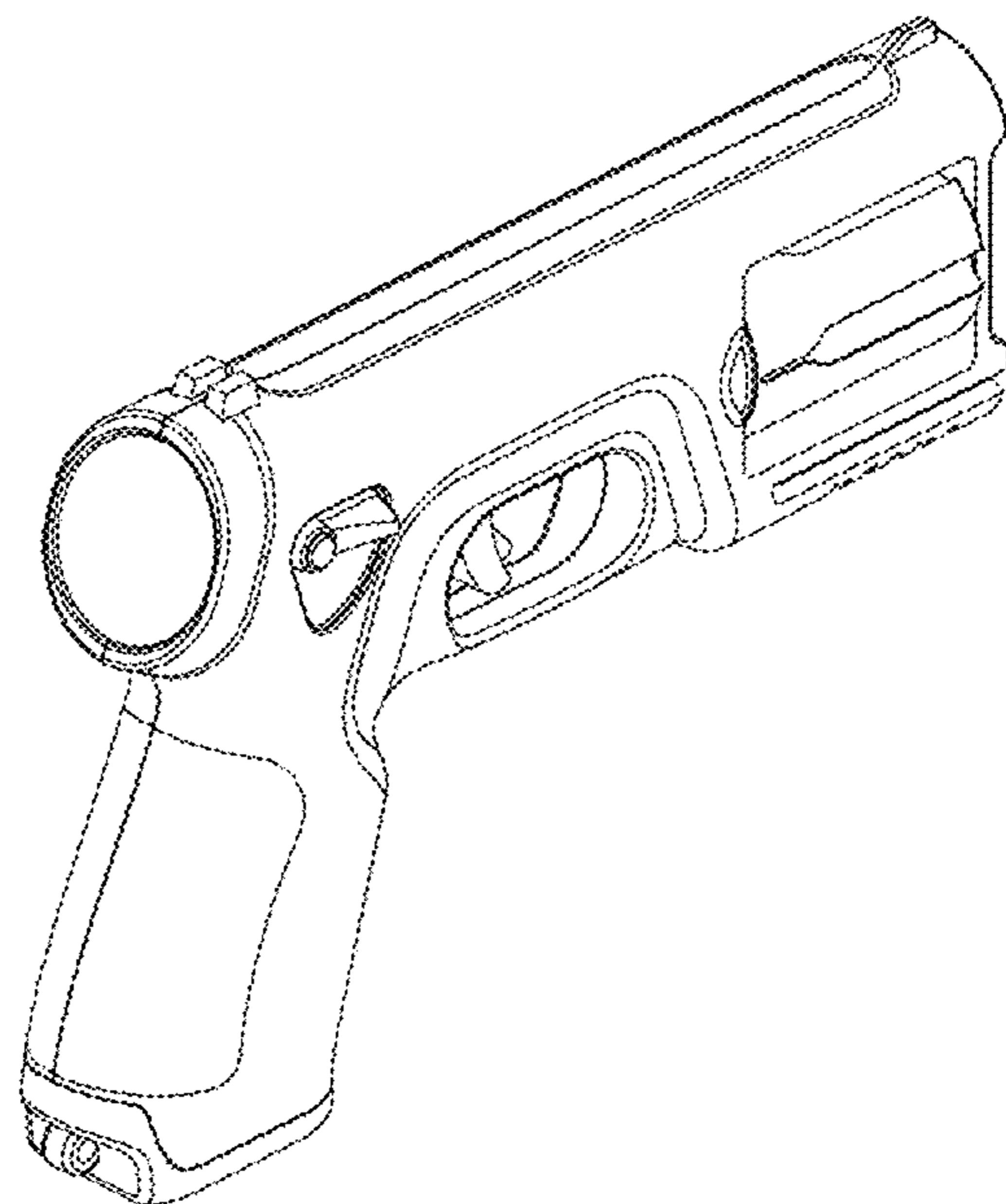
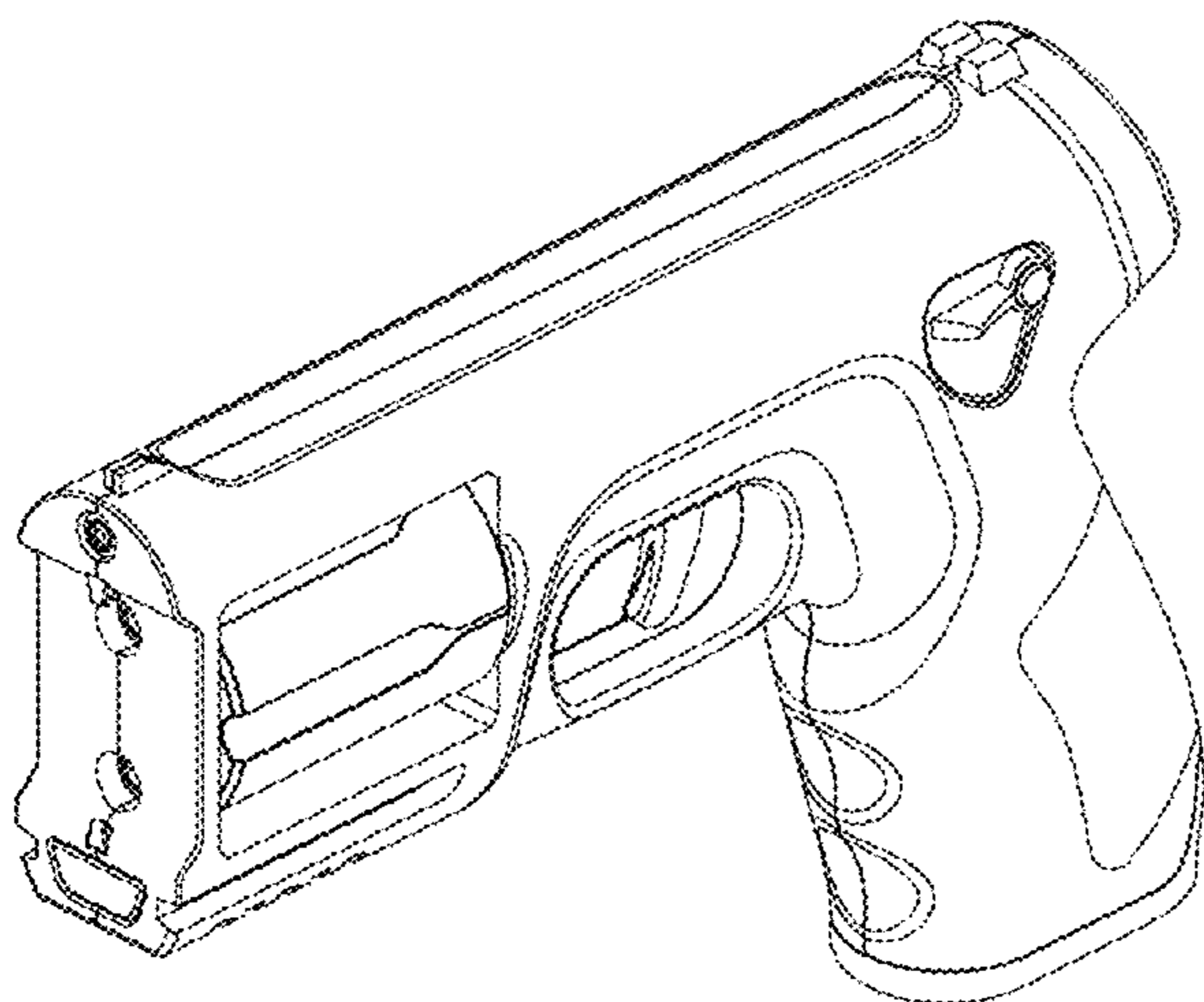
(57) **CLAIM**

The ornamental design for a smart stun gun for self-defense, as shown and described.

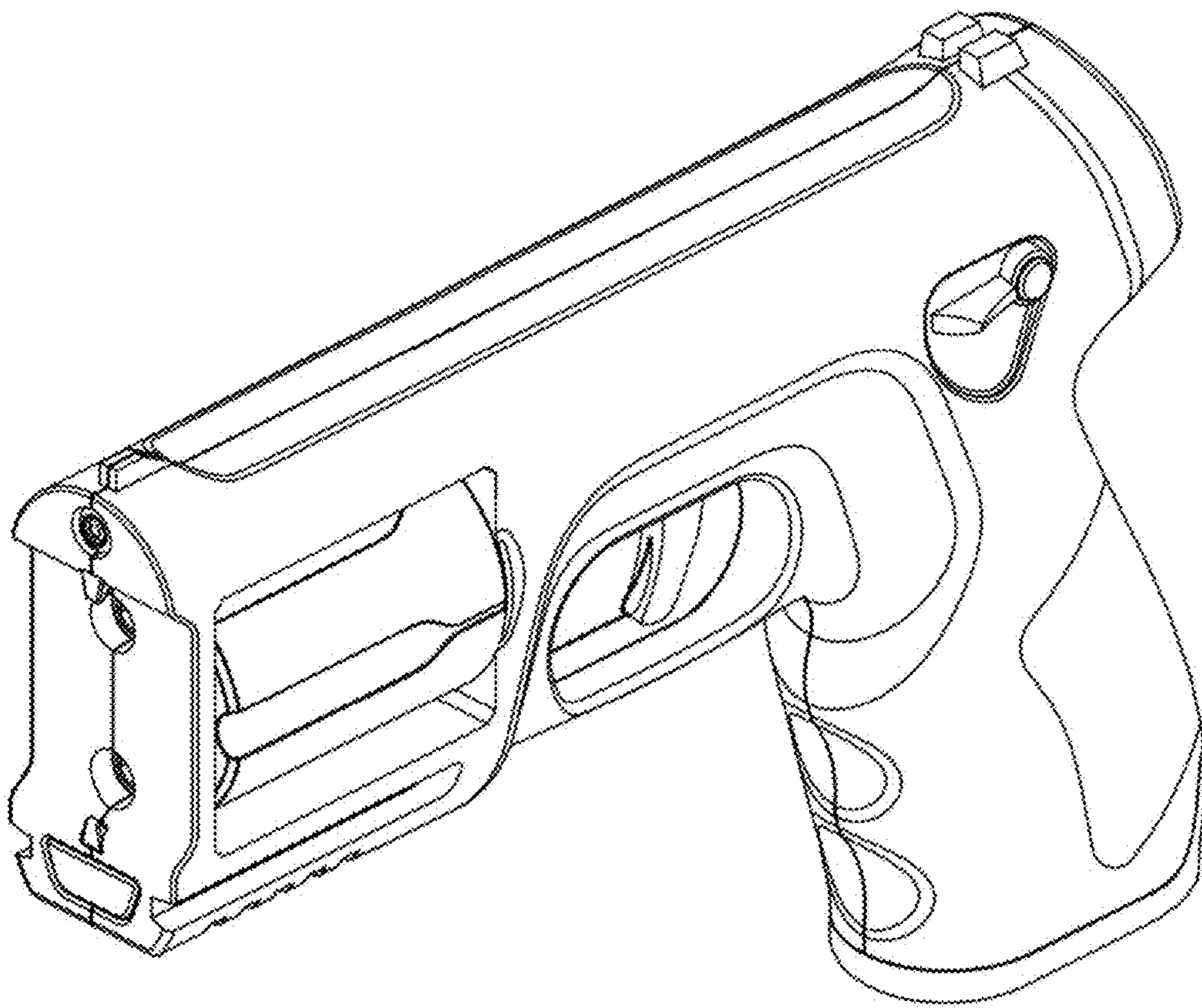
DESCRIPTION

- 1. Smart stun gun for self-defense
- 1.1 : Perspective
- 1.2 : Perspective
- 1.3 : Front
- 1.4 : Back
- 1.5 : Left
- 1.6 : Right
- 1.7 : Top
- 1.8 : Bottom

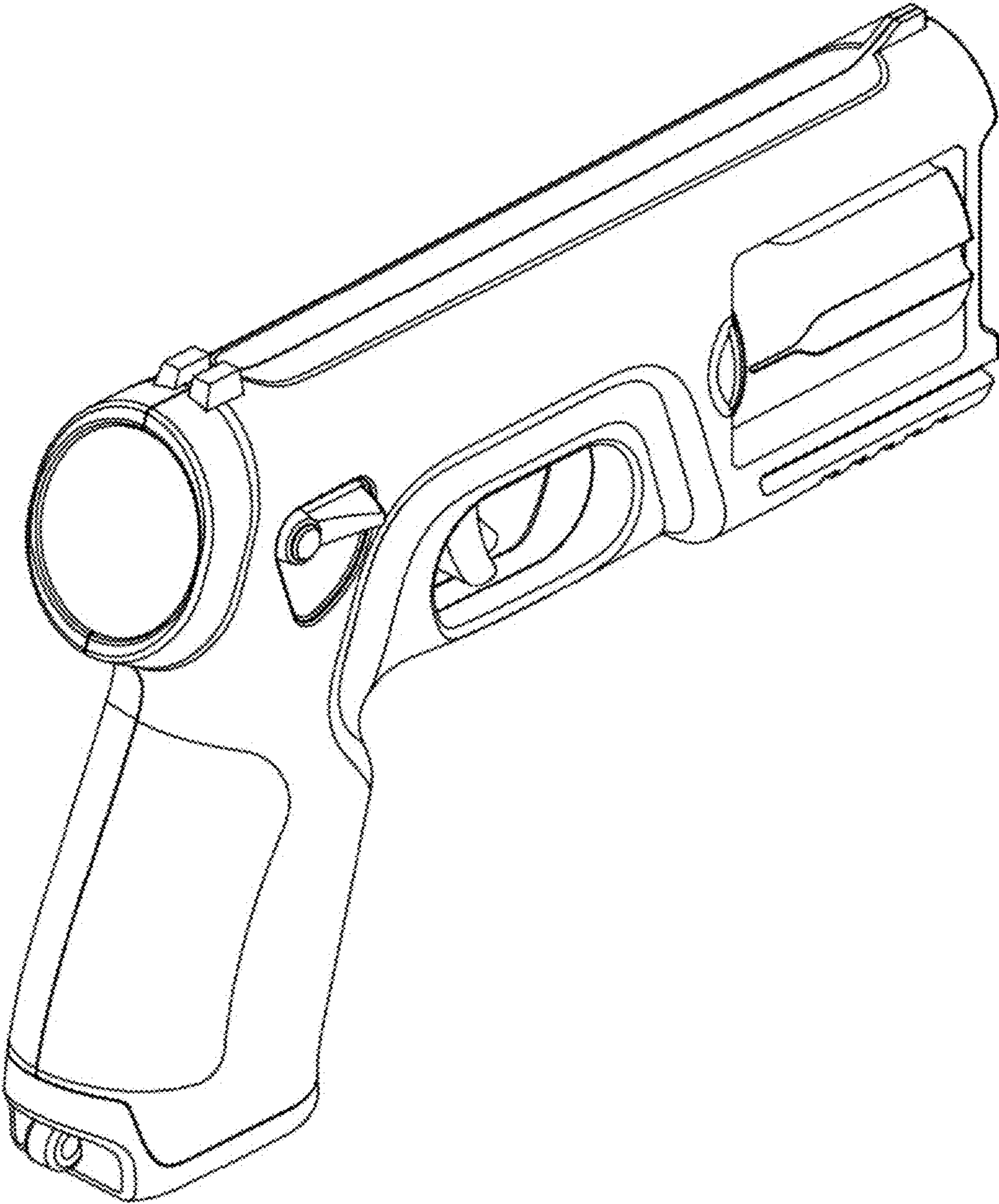
1 Claim, 8 Drawing Sheets



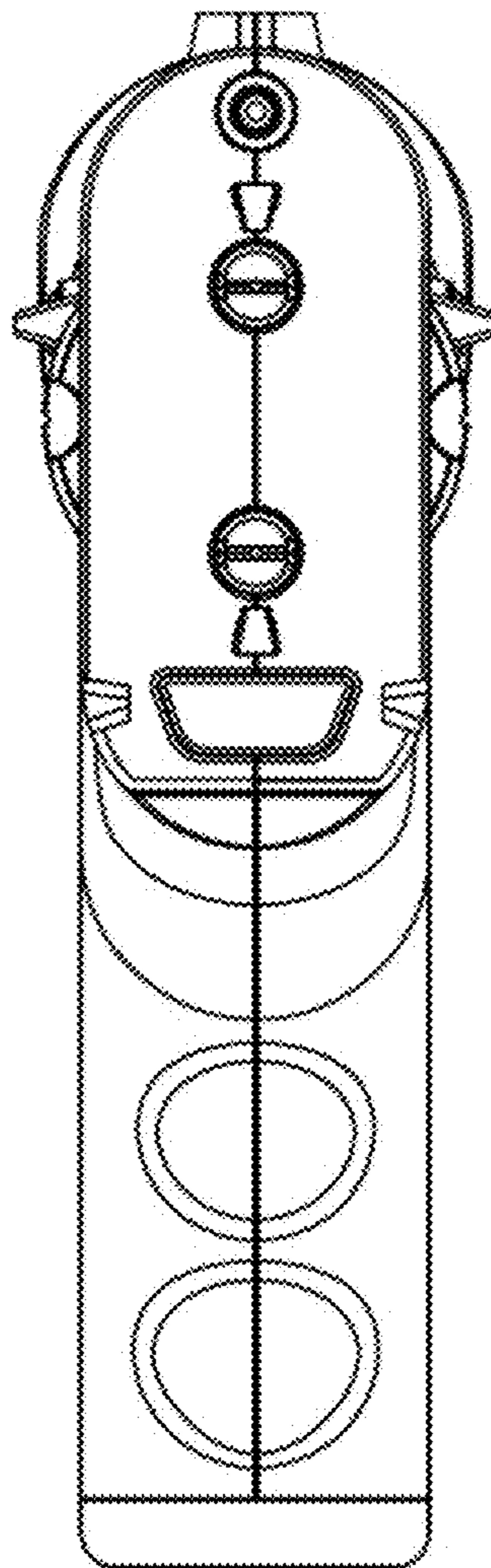
1.1



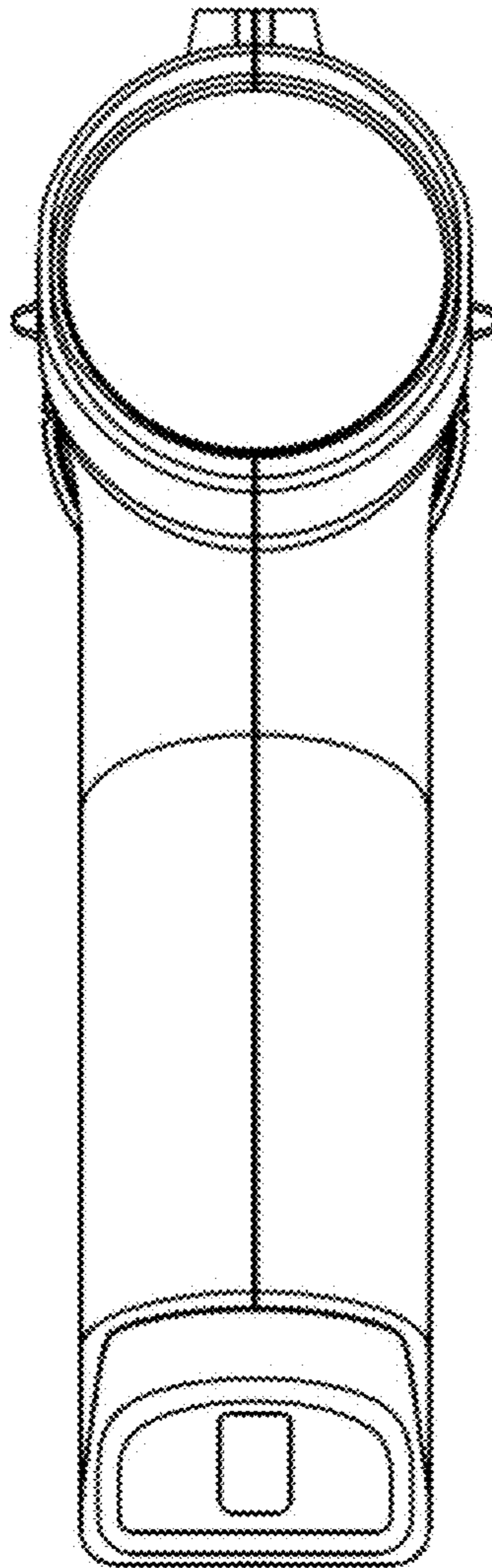
1.2



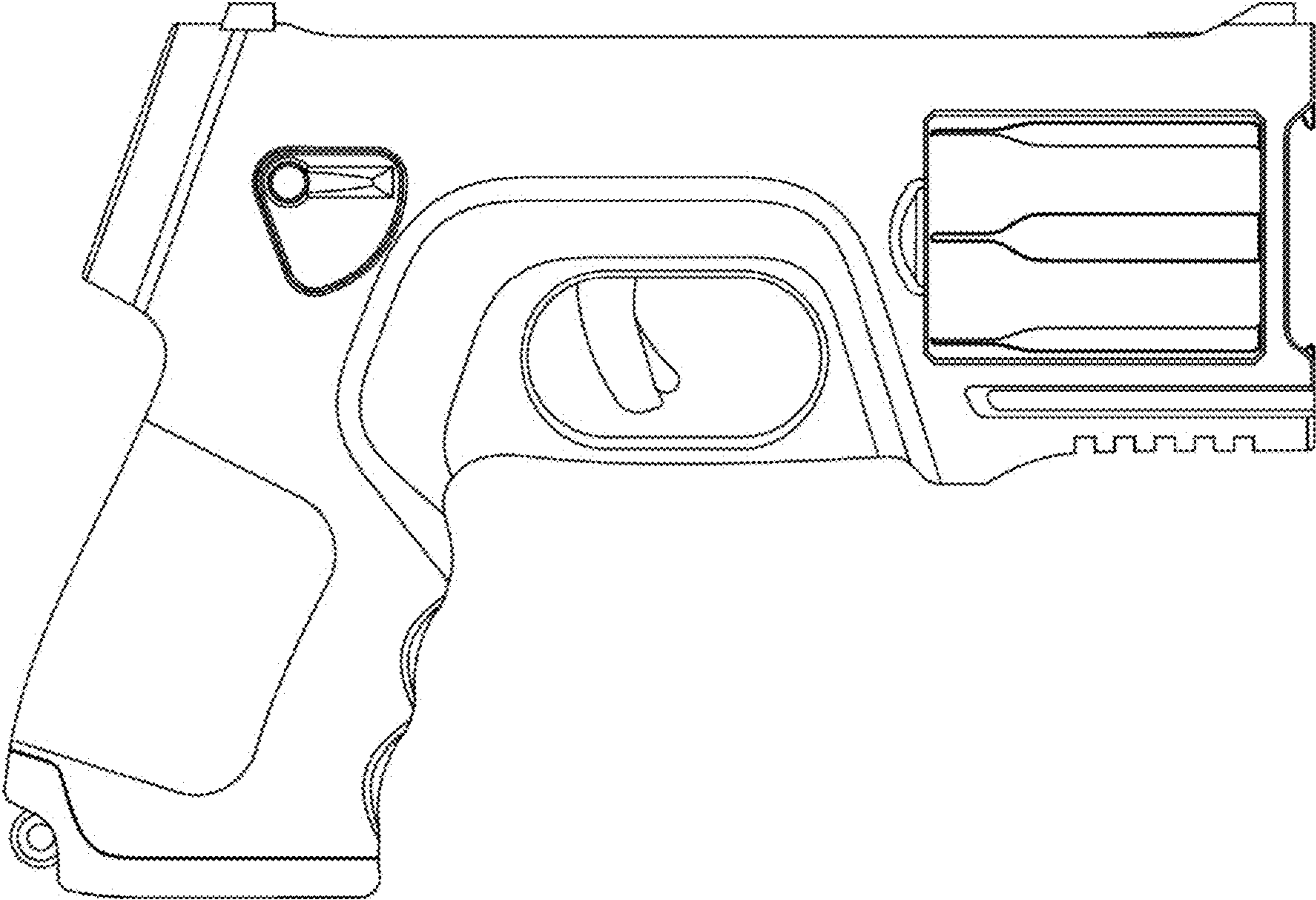
1.3



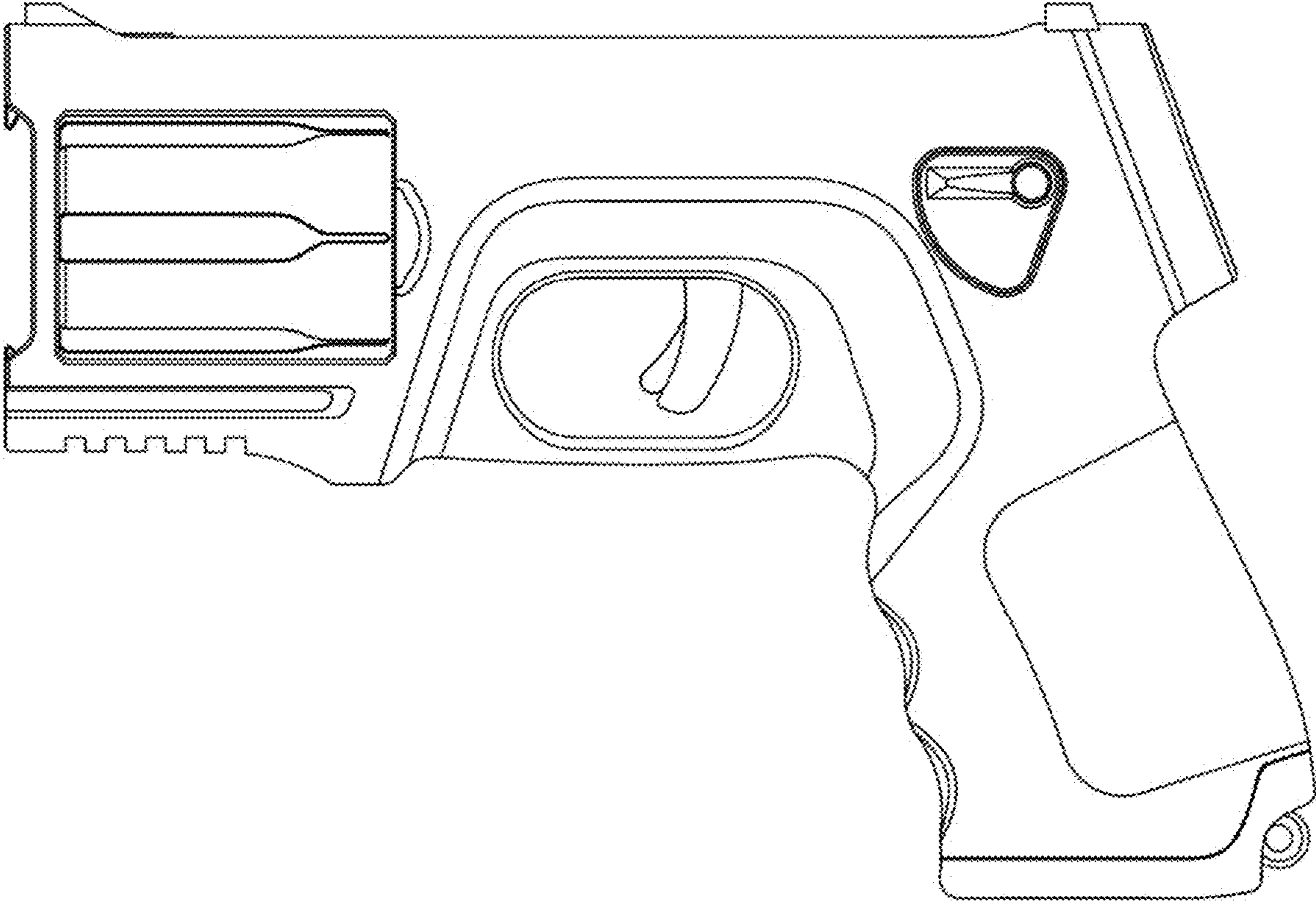
1.4



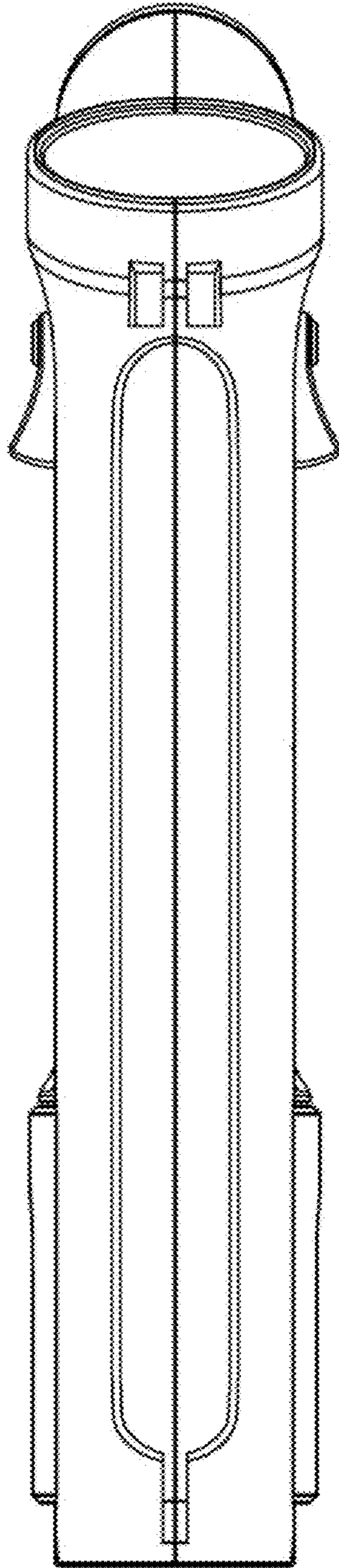
1.5



1.6



1.7



1.8

