



US00D855727S

(12) **United States Design Patent**  
**Hunter et al.**

(10) **Patent No.:** **US D855,727 S**

(45) **Date of Patent:** **\*\* Aug. 6, 2019**

(54) **WATER RIDE**

(71) Applicant: **PROSLIDE TECHNOLOGY INC.**,  
Ottawa, Ontario (CA)

(72) Inventors: **Richard D. Hunter**, Ottawa (CA);  
**Raymond T. Smegal**, Ottawa (CA)

(73) Assignee: **ProSlide Technology Inc.**, Ottawa (CA)

(\*\*) Term: **15 Years**

(21) Appl. No.: **29/623,086**

(22) Filed: **Oct. 23, 2017**

**Related U.S. Application Data**

(62) Division of application No. 29/571,264, filed on Jul. 15, 2016, now Pat. No. Des. 813,337.

(51) **LOC (12) Cl.** ..... **21-03**

(52) **U.S. Cl.**  
USPC ..... **D21/819**

(58) **Field of Classification Search**  
USPC ..... D21/818–822  
CPC ..... A63G 21/00–21/22  
See application file for complete search history.

(56) **References Cited**

**U.S. PATENT DOCUMENTS**

- 1,648,196 A \* 11/1927 Rohmer ..... A63G 21/18  
472/117
- 2,604,055 A 7/1949 Snowden
- 3,000,022 A 9/1961 Cathey et al.
- 3,246,892 A \* 4/1966 Grudoski ..... A63G 21/00  
239/289
- 3,438,074 A 4/1969 Goyen
- 4,149,710 A \* 4/1979 Rouchard ..... A63G 21/18  
104/70

- 4,242,829 A \* 1/1981 Arnstrom ..... A63H 23/16  
403/300
  - 4,299,171 A \* 11/1981 Larson ..... A63G 3/02  
104/70
  - D266,937 S \* 11/1982 Dahlgren ..... D21/565
- (Continued)

**FOREIGN PATENT DOCUMENTS**

- CA 2654714 A1 3/2002
  - CA 2674329 A1 1/2011
- (Continued)

*Primary Examiner* — Mitchell I. Siegel

(74) *Attorney, Agent, or Firm* — Finnegan, Henderson, Farabow, Garrett & Dunner, L.L.P.

(57) **CLAIM**

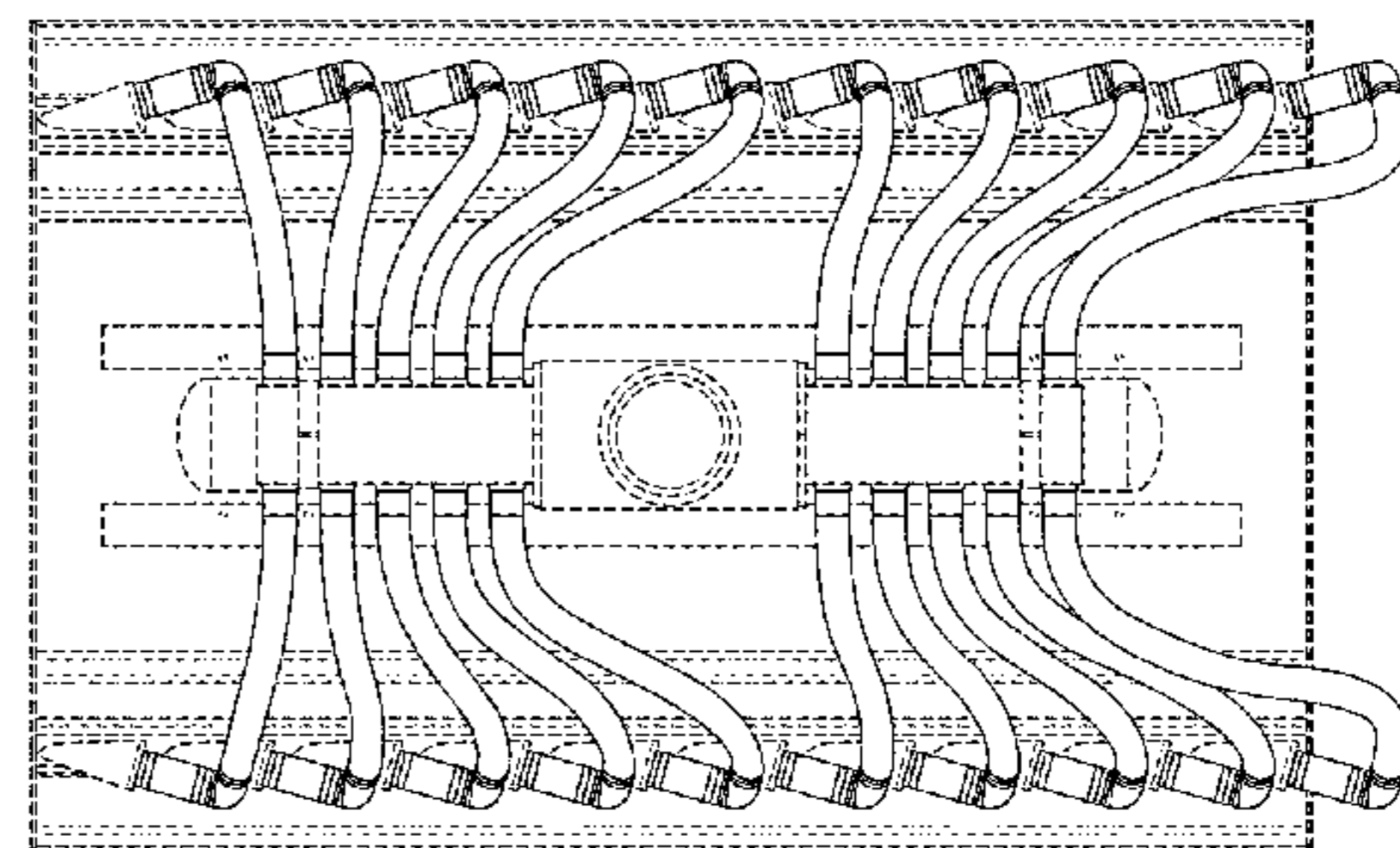
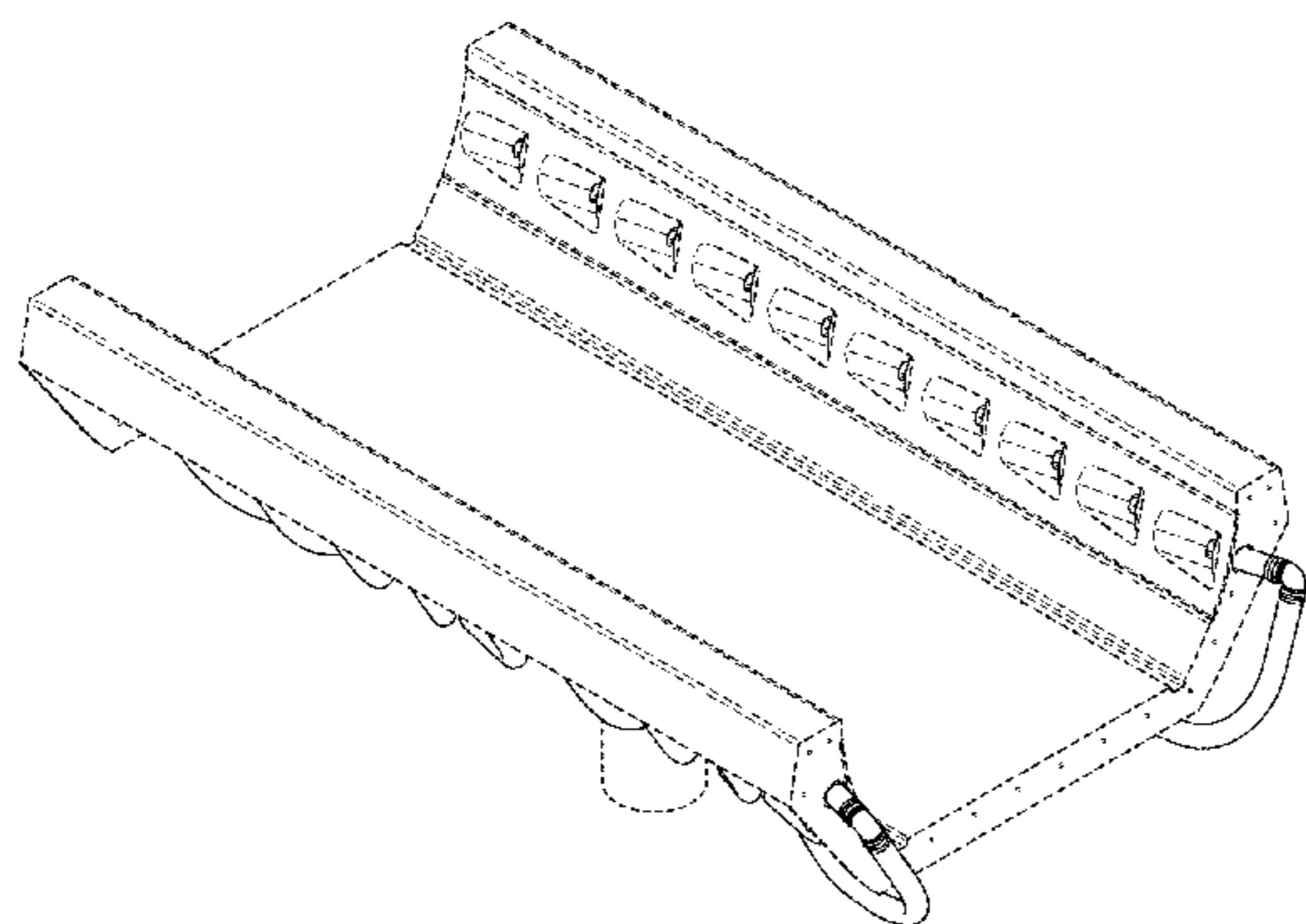
The ornamental design for a water ride, as shown and described.

**DESCRIPTION**

FIG. 1 is a perspective view of a water ride showing an embodiment of our new design;  
 FIG. 2 is a top view thereof;  
 FIG. 3 is a bottom view thereof;  
 FIG. 4 is a left side view thereof;  
 FIG. 5 is a right side view thereof;  
 FIG. 6 is an end view thereof;  
 FIG. 7 is an opposite end view thereof;  
 FIG. 8 is a perspective view of a water ride showing another embodiment of our new design;  
 FIG. 9 is a top view thereof;  
 FIG. 10 is a bottom view thereof;  
 FIG. 11 is a left side view thereof;  
 FIG. 12 is a right side view thereof;  
 FIG. 13 is an end view thereof; and,  
 FIG. 14 is an opposite end view thereof.

The broken line showing of the water ride is included for the purpose of illustrating unclaimed subject matter and forms no part of the claimed design.

**1 Claim, 8 Drawing Sheets**



(56)

References Cited

U.S. PATENT DOCUMENTS

4,394,173 A \* 7/1983 Aste ..... A63G 21/06  
104/124  
4,805,898 A \* 2/1989 Jacober ..... A63G 21/18  
104/70  
D308,563 S \* 6/1990 Knight ..... D21/819  
5,031,556 A 6/1991 Blee  
5,213,547 A \* 5/1993 Lochtefeld ..... A63G 3/00  
104/70  
5,219,315 A 6/1993 Fuller et al.  
5,230,662 A \* 7/1993 Langford ..... A63G 21/18  
472/117  
5,503,597 A \* 4/1996 Lochtefeld ..... A63G 3/02  
4/904  
5,527,646 A 6/1996 Ogino et al.  
D371,414 S \* 7/1996 King ..... D21/821  
D375,775 S \* 11/1996 King ..... D21/818  
D375,776 S \* 11/1996 King ..... D21/818  
5,716,282 A 2/1998 Ring  
5,738,590 A 4/1998 Lochtefeld  
5,865,679 A \* 2/1999 Seabolt ..... A63G 21/18  
472/117  
6,006,672 A 12/1999 Newfarmer et al.  
6,435,927 B1 8/2002 Fireman  
6,527,646 B1 3/2003 Briggs  
6,561,914 B2 5/2003 Henry  
6,702,687 B1 3/2004 Henry  
6,743,108 B2 6/2004 Hunter  
6,758,231 B1 7/2004 Lochtefeld et al.  
D495,022 S \* 8/2004 Auburger ..... D21/818  
7,229,359 B2 6/2007 Henry  
7,285,053 B2 10/2007 Henry et al.  
7,497,784 B2 3/2009 Henry  
7,727,077 B2 6/2010 Henry et al.  
7,731,595 B2 6/2010 Hlynka  
7,740,542 B2 6/2010 Henry et al.  
7,758,435 B2 7/2010 Henry et al.  
7,758,535 B2 7/2010 Levine et al.

7,762,900 B2 7/2010 Henry et al.  
7,766,753 B2 8/2010 Henry et al.  
7,785,207 B2 8/2010 Henry et al.  
7,942,752 B2 5/2011 Henry  
7,967,692 B2 6/2011 Werner  
8,070,616 B2 12/2011 Dubois et al.  
8,075,413 B2 12/2011 Henry et al.  
8,079,916 B2 12/2011 Henry  
8,197,353 B2 6/2012 Brassard  
8,210,954 B2 7/2012 Henry et al.  
8,282,497 B2 10/2012 Henry et al.  
8,360,895 B2 1/2013 Brown  
8,453,579 B2 6/2013 Nemeth  
8,579,715 B2 11/2013 Olive et al.  
D699,805 S \* 2/2014 Green ..... D21/818  
9,604,151 B2 \* 3/2017 DeCaro ..... A63G 31/007  
D813,337 S \* 3/2018 Hunter ..... D21/819  
2010/0160054 A1 6/2010 Henry  
2012/0201605 A1 9/2012 Hill  
2012/0258812 A1 10/2012 Osterman et al.  
2013/0184087 A1 7/2013 Degirmenci  
2016/0136527 A1 5/2016 Hunter  
2017/0043264 A1 2/2017 Hunter et al.  
2017/0106295 A1 4/2017 Hunter

FOREIGN PATENT DOCUMENTS

CA 2778601 A1 5/2011  
CA 2690687 A1 6/2011  
CN 2905159 5/2007  
CN 101417179 A 4/2009  
JP H-03258280 11/1991  
WO WO 88/05745 A1 8/1988  
WO WO 2012/048016 A2 4/2012  
WO WO 2013/000090 A1 1/2013  
WO WO 2014/059551 A1 4/2014  
WO WO 2015/161382 A1 10/2015  
WO WO 2015/188265 A1 12/2015

\* cited by examiner

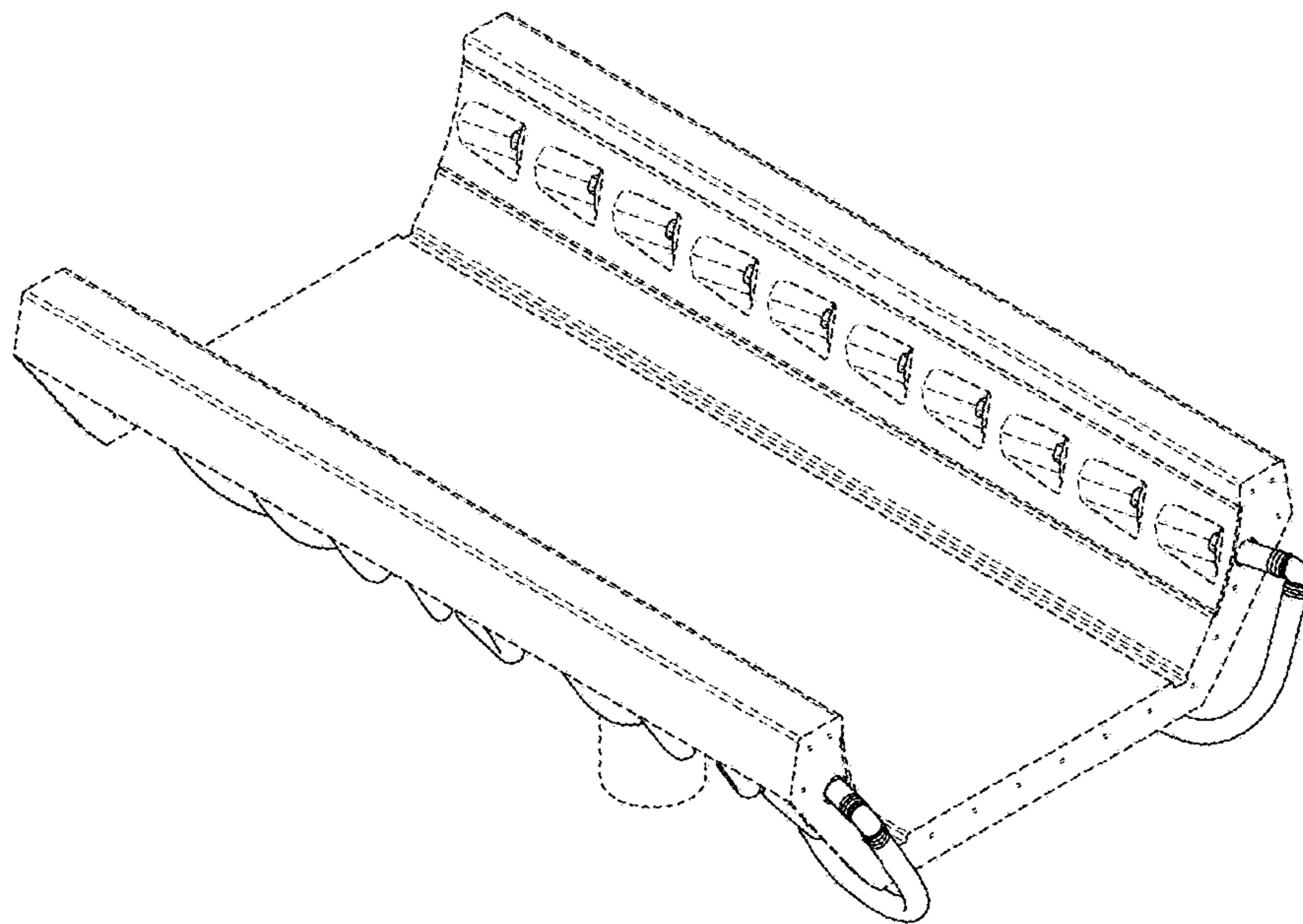


FIG. 1



FIG. 2

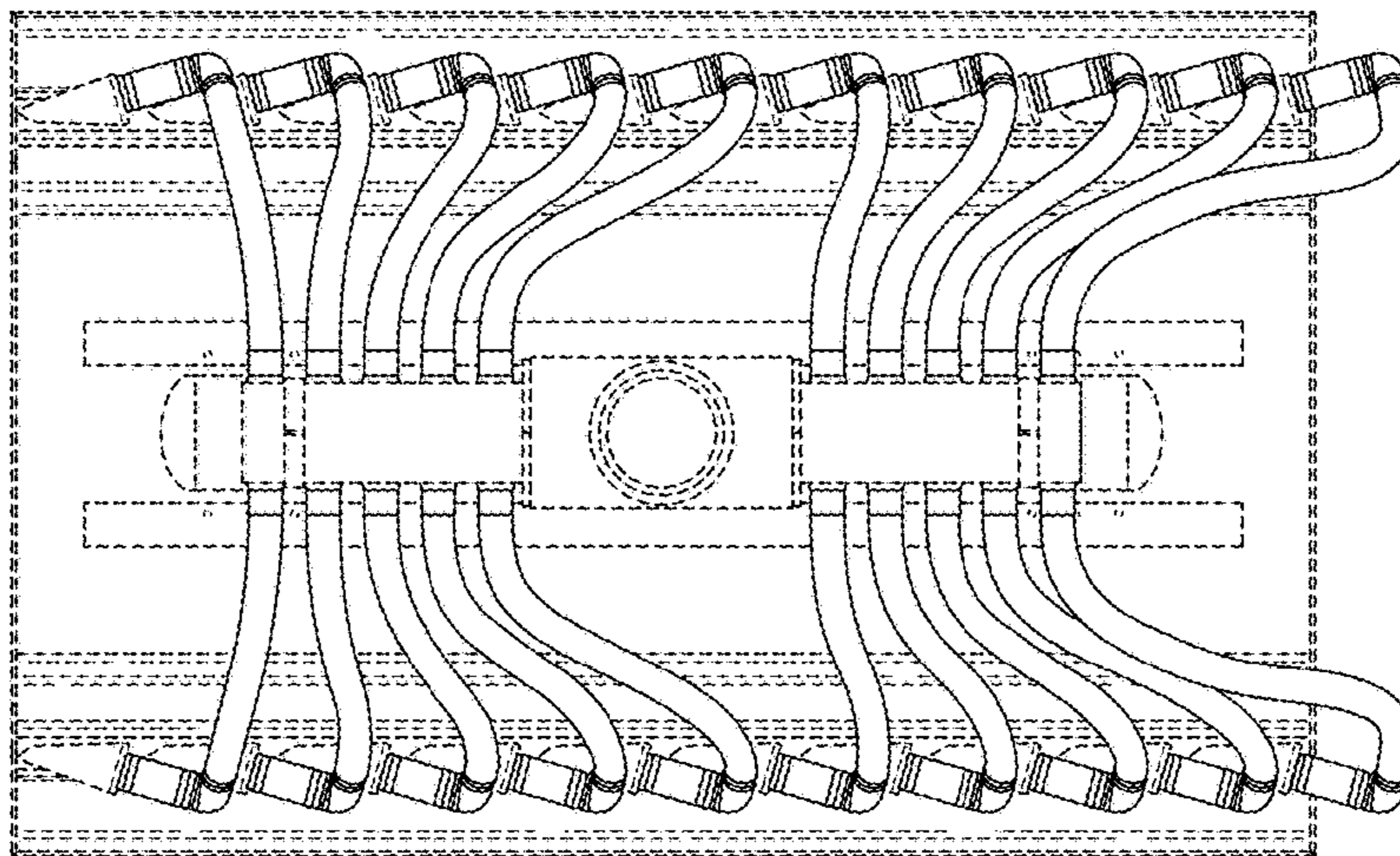


FIG. 3

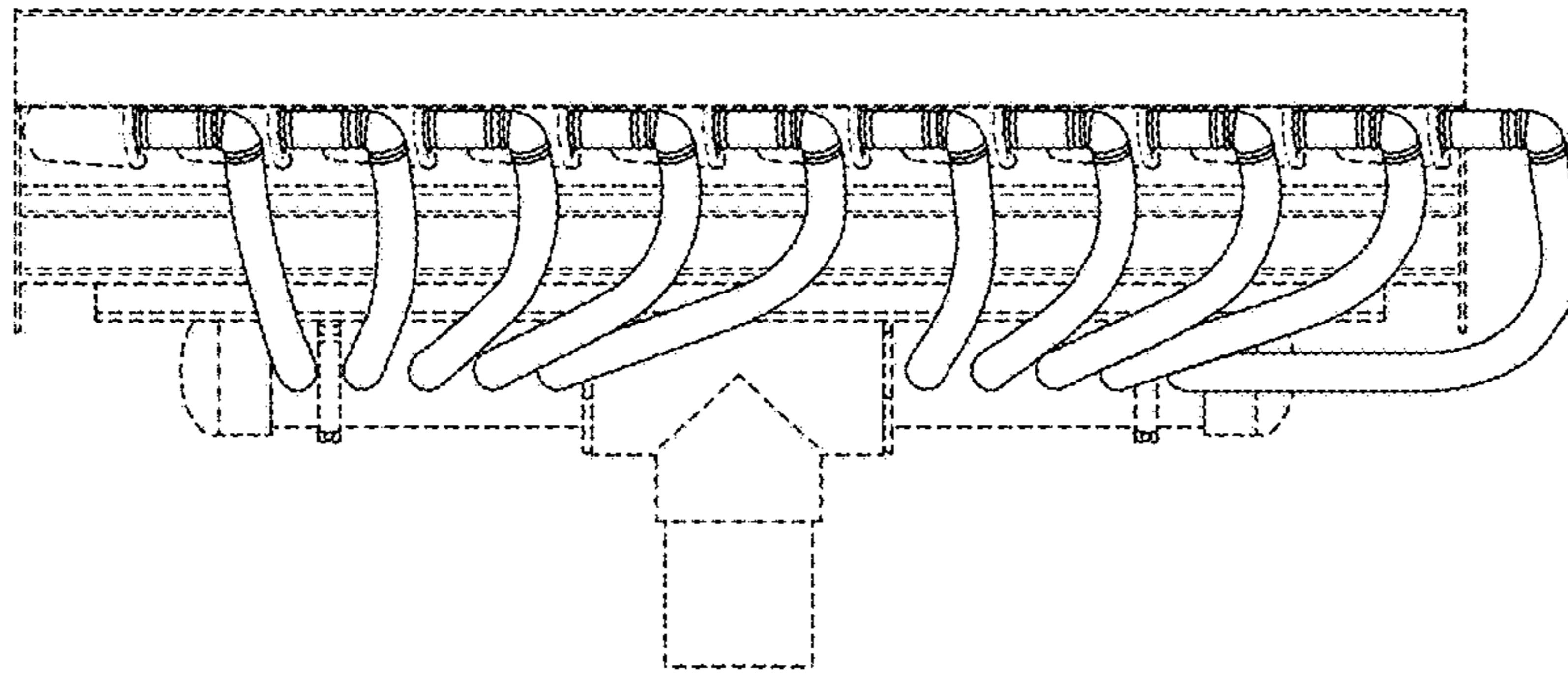


FIG. 4

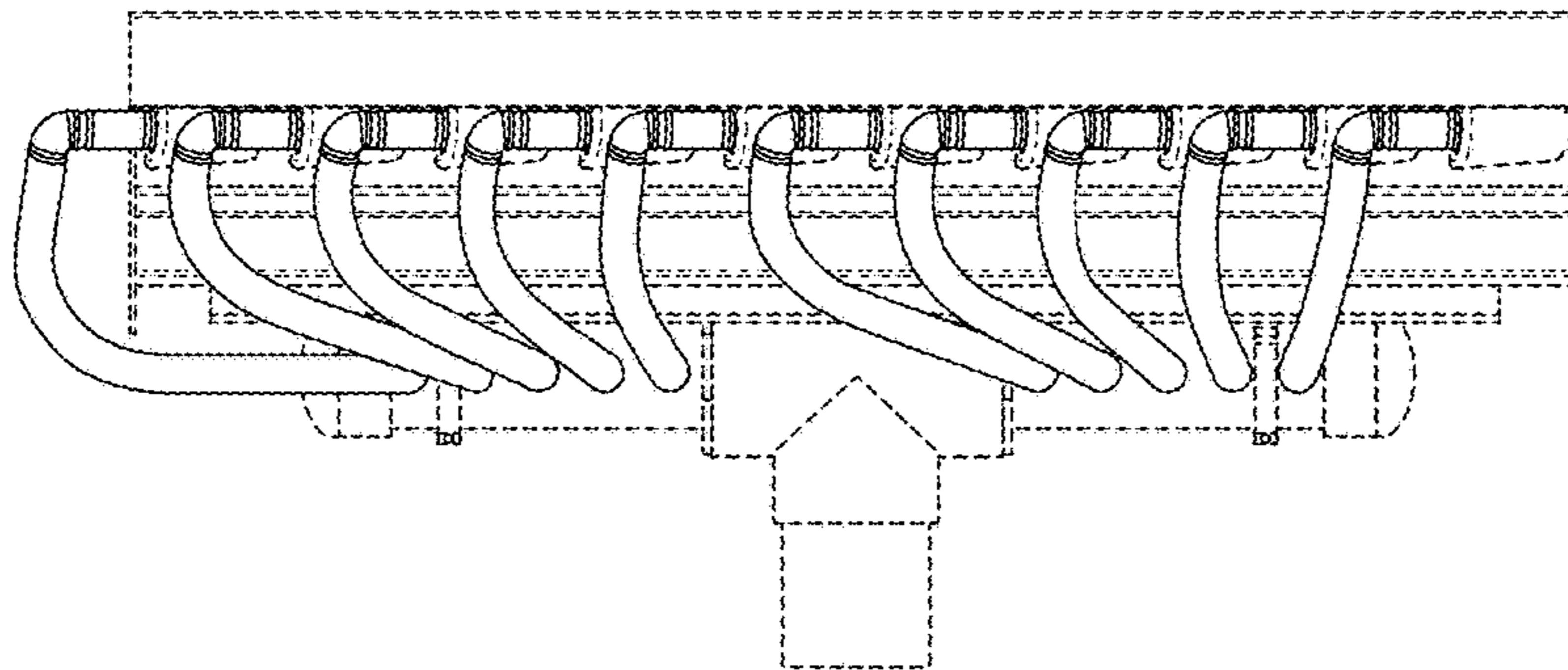
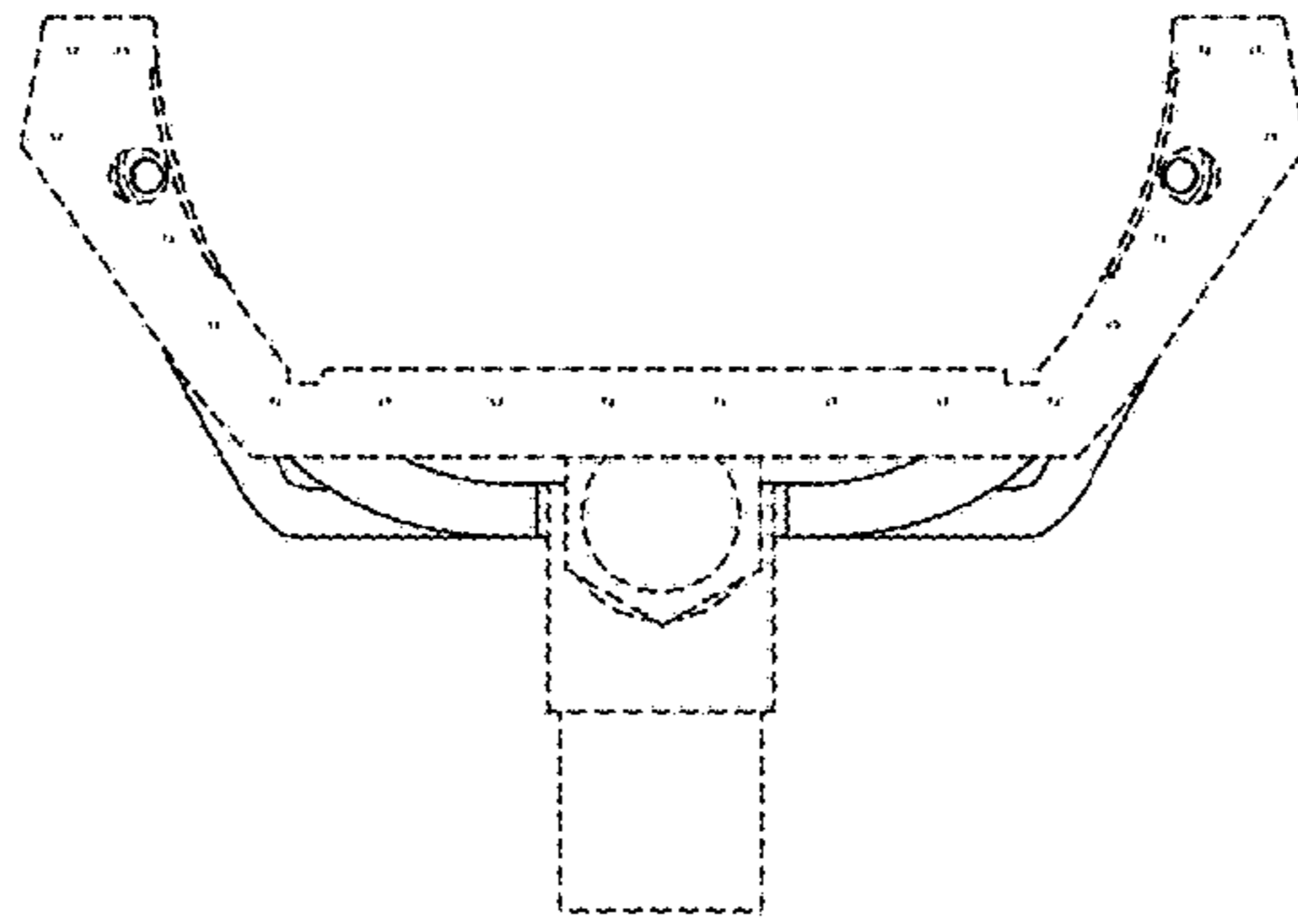
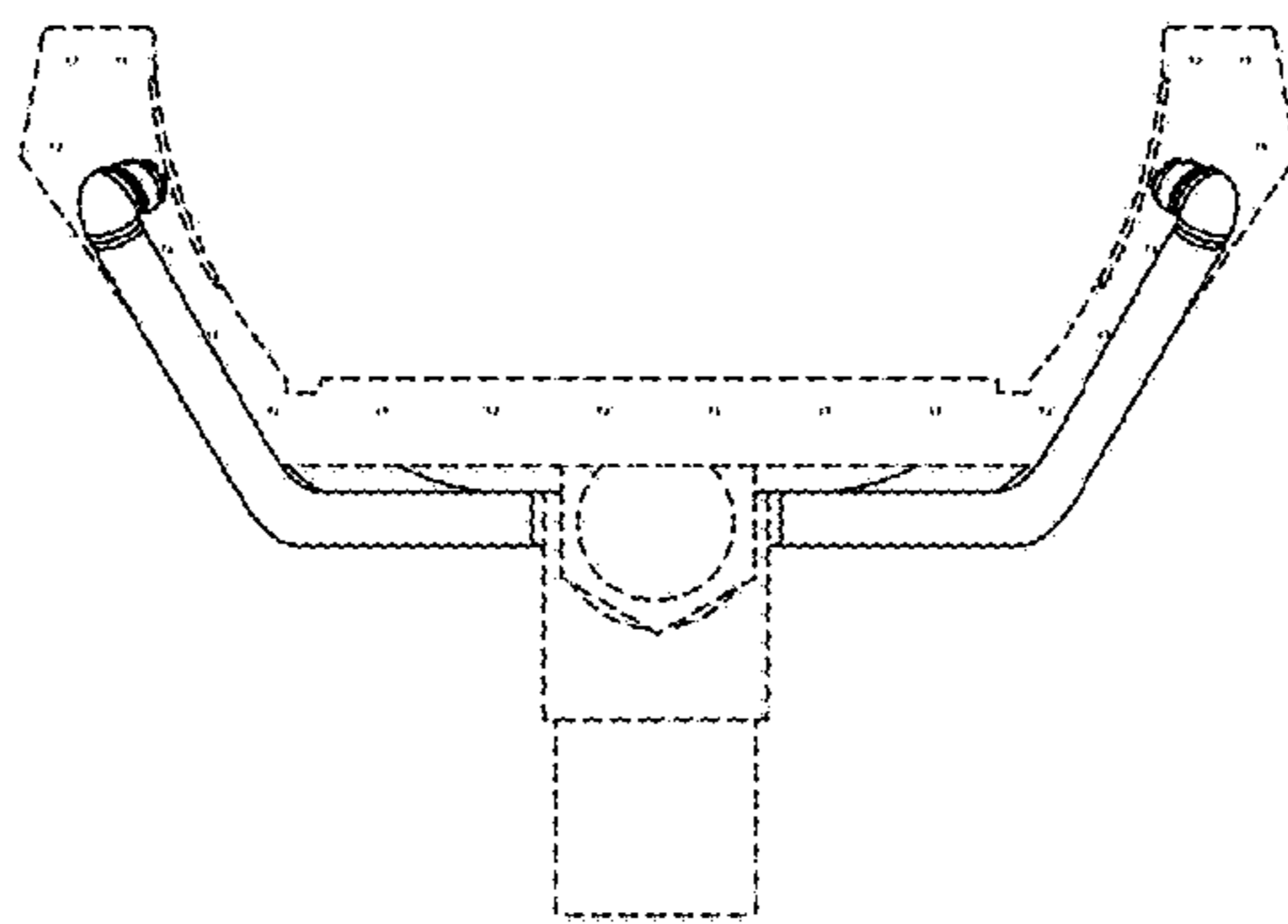


FIG. 5



**FIG. 6**



**FIG. 7**

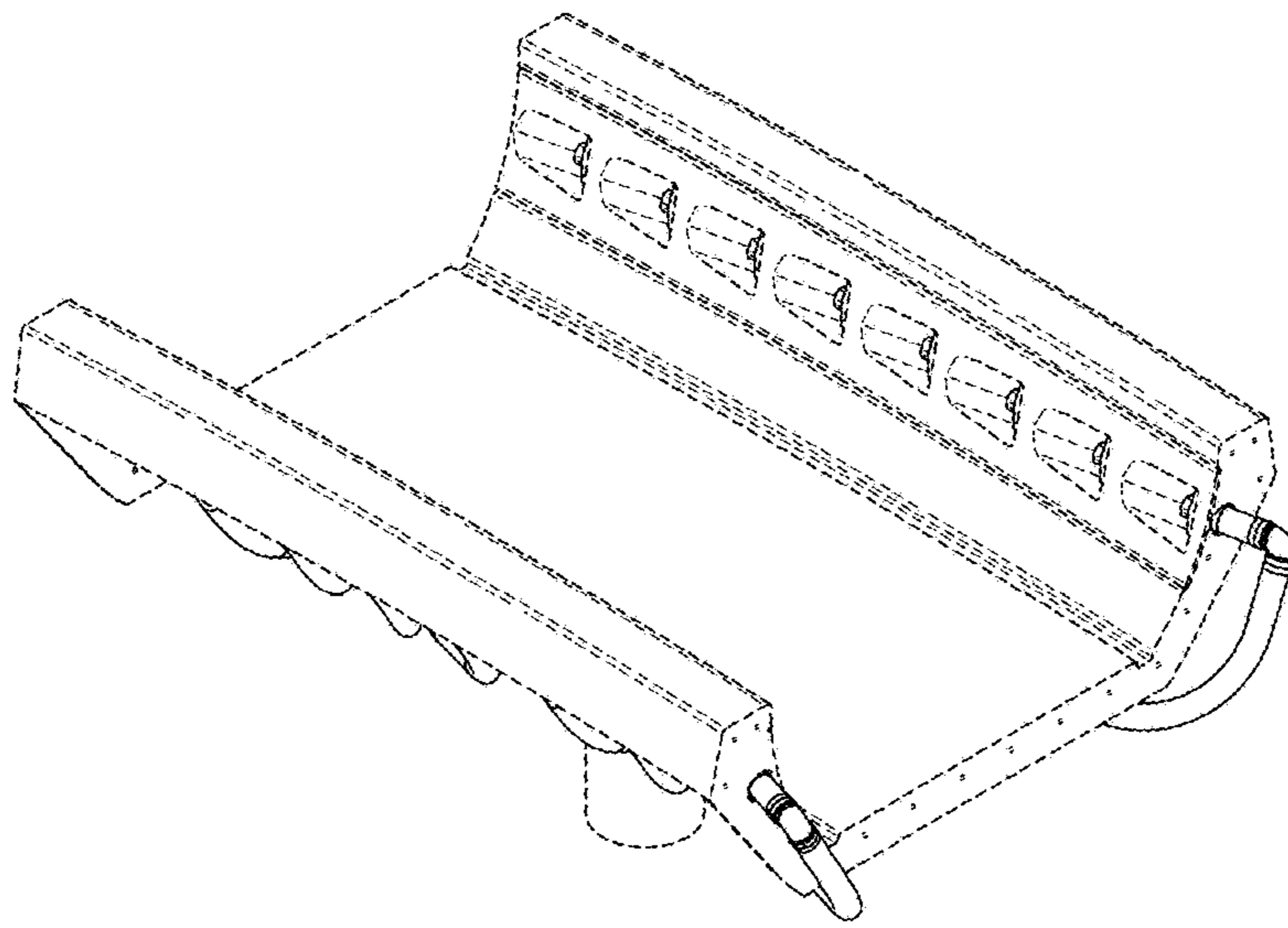


FIG. 8



FIG. 9

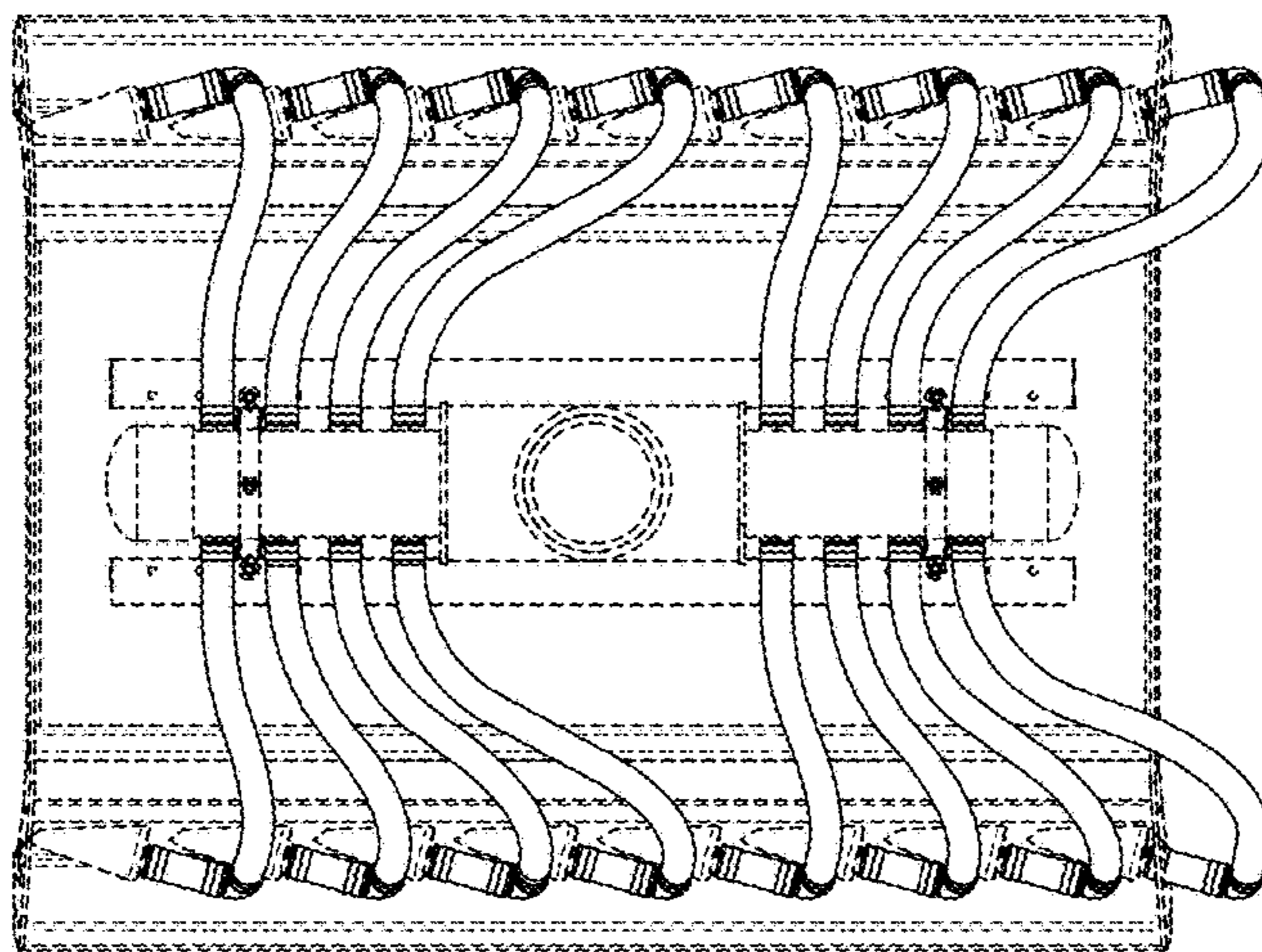


FIG. 10



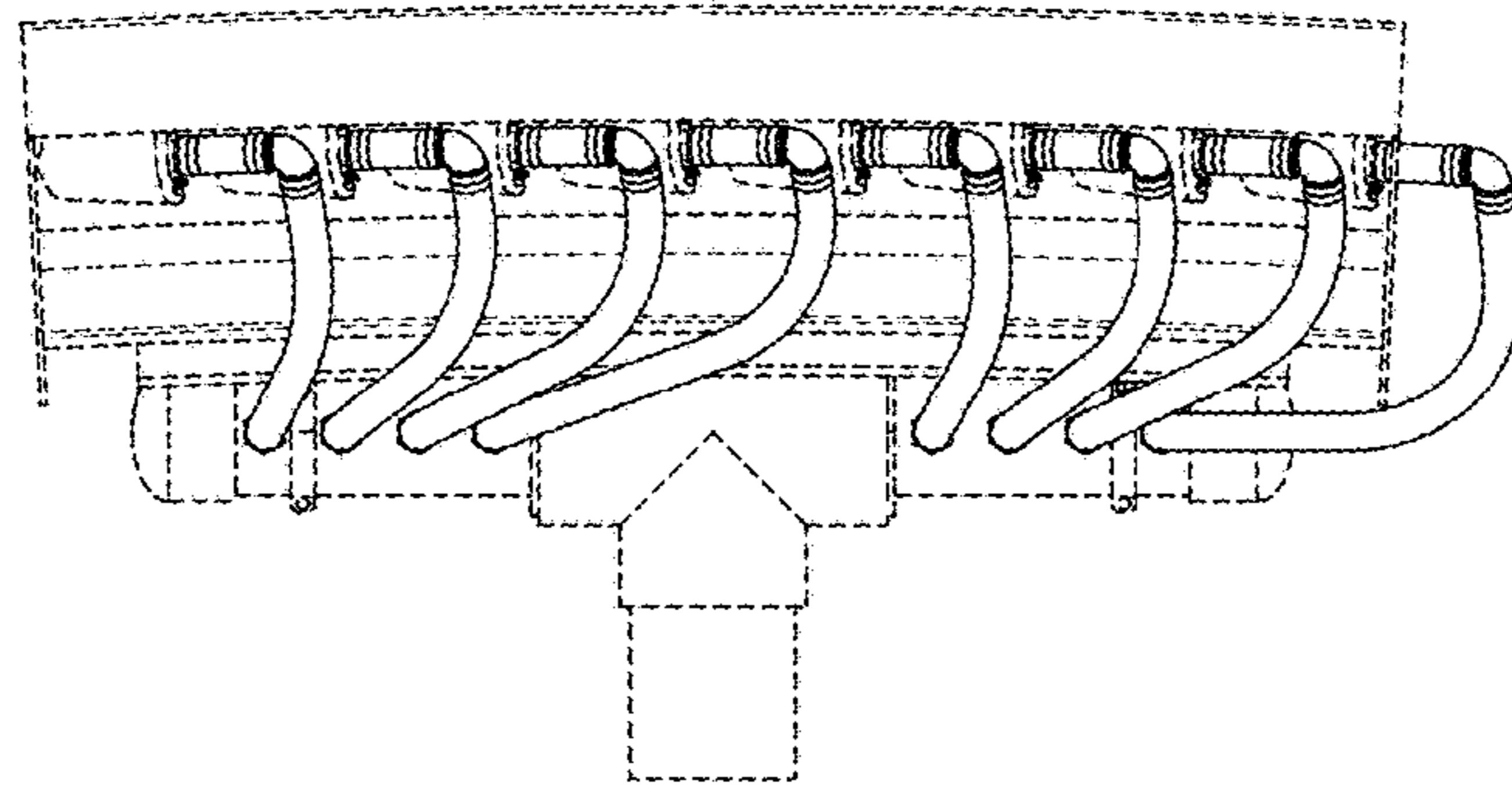


FIG. 11

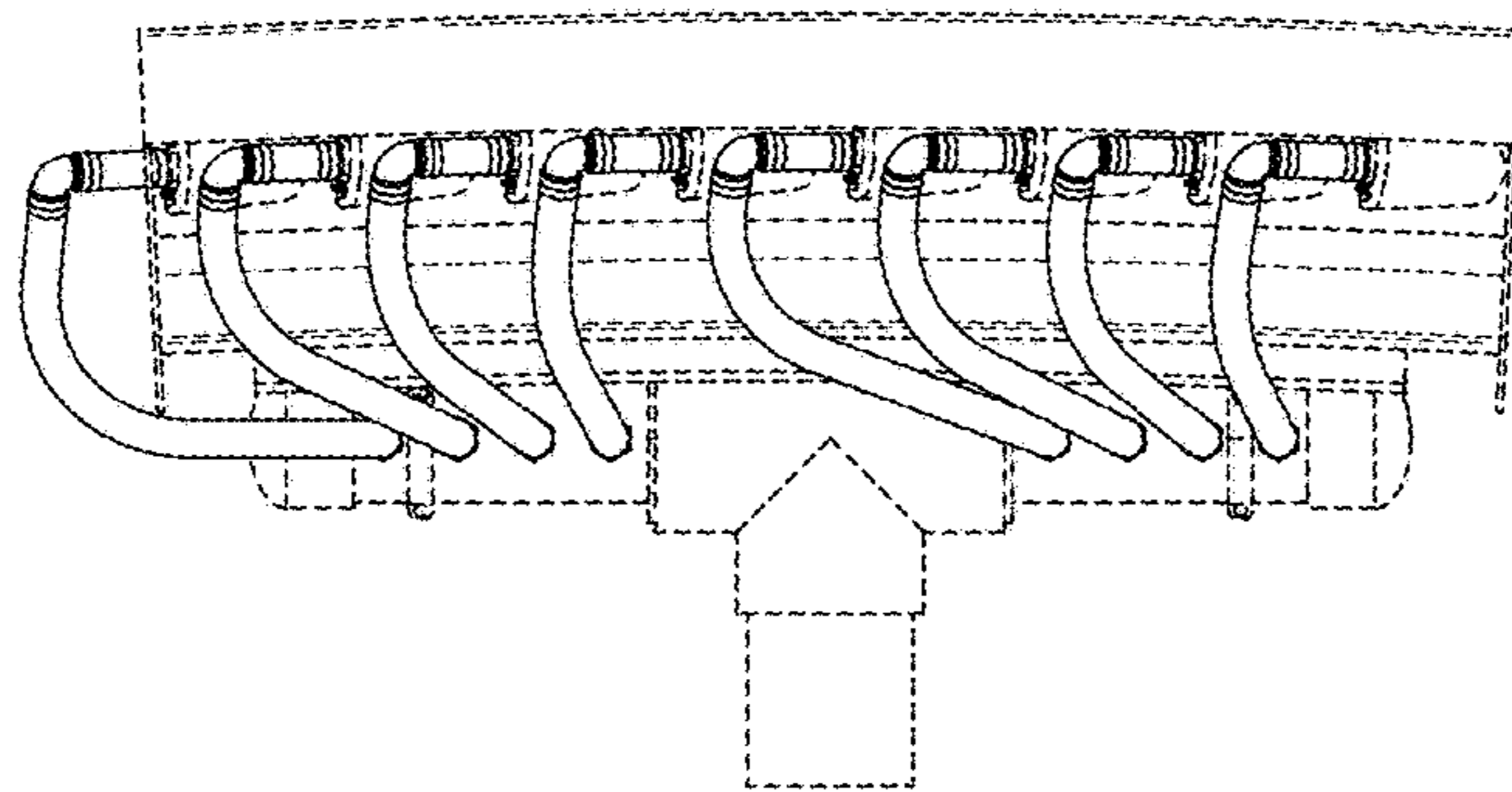


FIG. 12

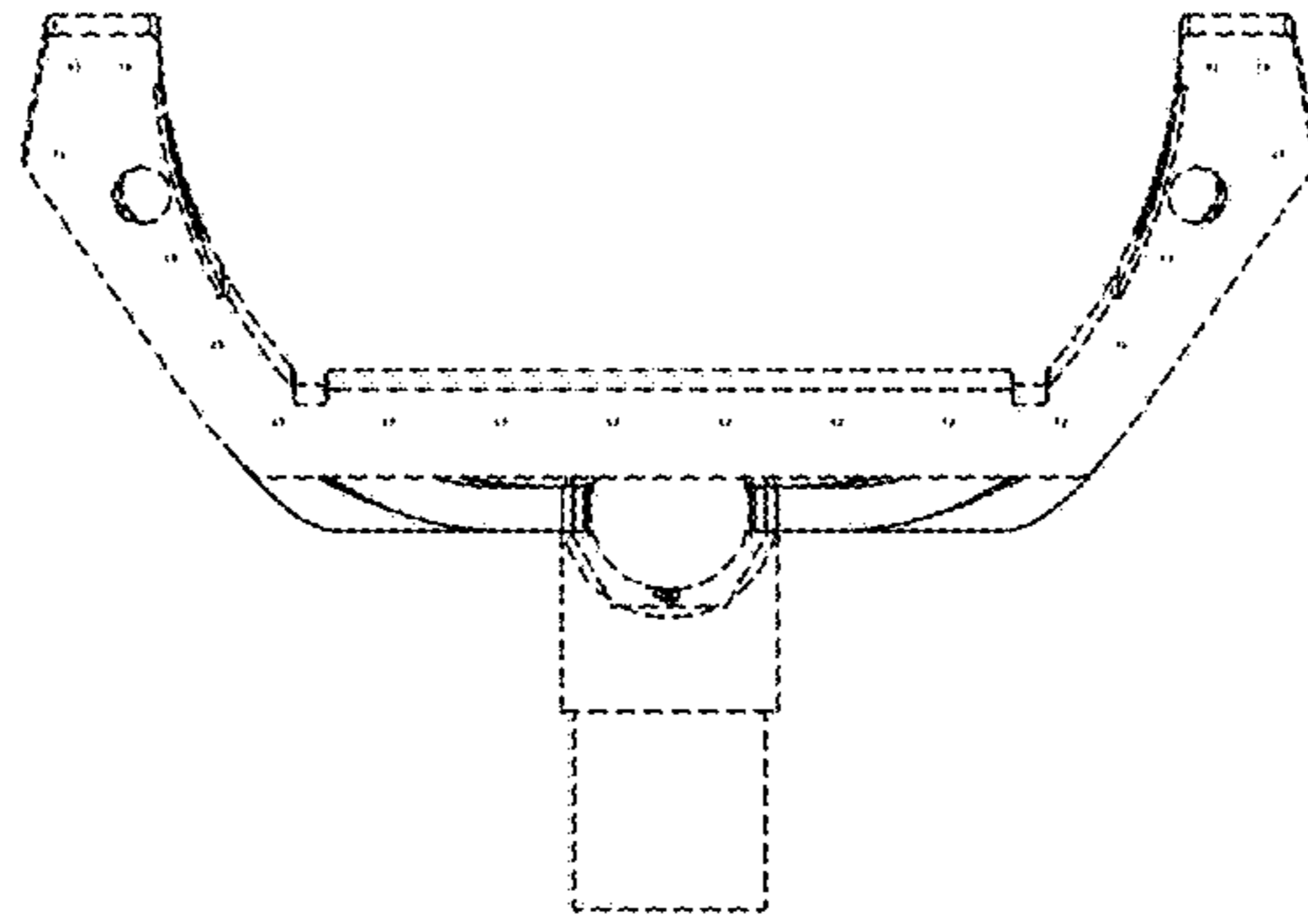


FIG. 13

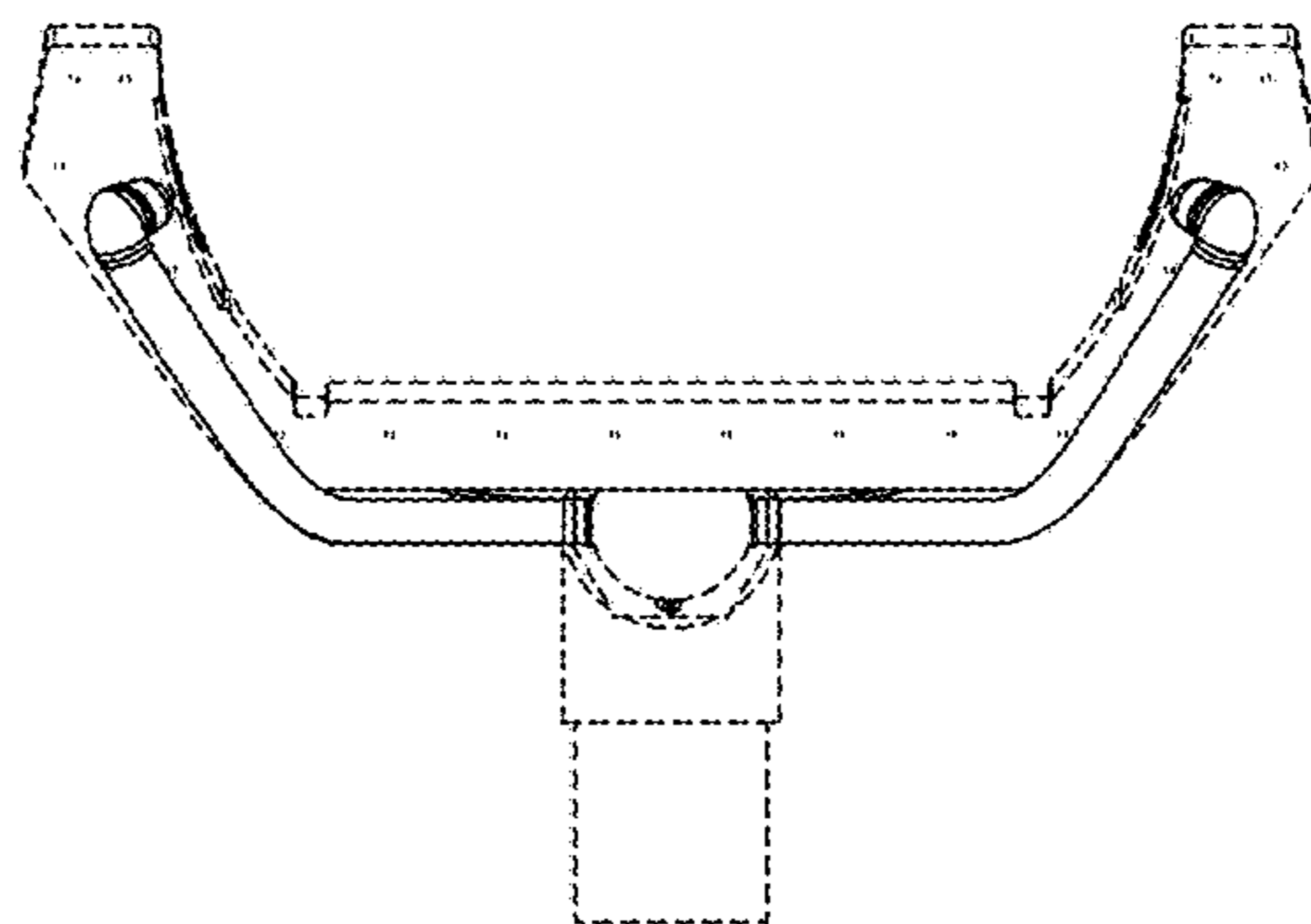


FIG. 14