



US00D855724S

(12) **United States Design Patent**
Laitta et al.

(10) **Patent No.:** **US D855,724 S**
(45) **Date of Patent:** **** Aug. 6, 2019**

(54) **DIVING BOARD**

DESCRIPTION

- (71) Applicant: **S.R. Smith, LLC**, Canby, OR (US)
- (72) Inventors: **Richard P. Laitta**, Lake Oswego, OR (US); **Mikha-el Kaiel**, Portland, OR (US)
- (73) Assignee: **S.R. SMITH, LLC**, Canby, OR (US)
- (**) Term: **15 Years**
- (21) Appl. No.: **29/575,190**
- (22) Filed: **Aug. 23, 2016**
- (51) **LOC (12) Cl.** **21-02**
- (52) **U.S. Cl.**
USPC **D21/802**
- (58) **Field of Classification Search**
USPC D21/542, 544, 547, 646, 760, 761, 762, D21/764, 769, 770, 771, 778, 792, 801,
(Continued)

(56) **References Cited**

U.S. PATENT DOCUMENTS

- 2,805,859 A * 9/1957 Rude A63B 5/10
482/30
- D187,234 S * 2/1960 Baker D21/802
(Continued)

OTHER PUBLICATIONS

“New Again—Diving Board Stand Replacement” [online]. S.R. Smith. [Published on Oct. 4, 2016]. Retrieved from the Internet: <<https://www.youtube.com/watch?v=jYifJZ1L3cg>>.*

(Continued)

Primary Examiner — Khawaja Anwar
Assistant Examiner — Mojtaba Tehrani
(74) *Attorney, Agent, or Firm* — Stoel Rives LLP

(57) **CLAIM**

We claim the ornamental design for a diving board, as shown and described.

FIG. 1 is a top isometric view of a diving board in accordance with a first embodiment.
 FIG. 2 is a bottom isometric view of the diving board of FIG. 1.
 FIG. 3 is a top plan view of the diving board of FIG. 1.
 FIG. 4 is a bottom plan view of the diving board of FIG. 1.
 FIG. 5 is a side elevation view of the diving board of FIG. 1.
 FIG. 6 is a front elevation view of the diving board of FIG. 1.
 FIG. 7 is a rear elevation view of the diving board of FIG. 1.
 FIG. 8 is a top isometric view of a diving board in accordance with a second embodiment.
 FIG. 9 is a bottom isometric view of the diving board of FIG. 8.
 FIG. 10 is a top plan view of the diving board of FIG. 8.
 FIG. 11 is a bottom plan view of the diving board of FIG. 8.
 FIG. 12 is a side elevation view of the diving board of FIG. 8.
 FIG. 13 is a front elevation view of the diving board of FIG. 8.
 FIG. 14 is a rear elevation view of the diving board of FIG. 8.
 FIG. 15 is a top isometric view of a diving board in accordance with a third embodiment.
 FIG. 16 is a bottom isometric view of the diving board of FIG. 15.
 FIG. 17 is a top plan view of the diving board of FIG. 15.
 FIG. 18 is a bottom plan view of the diving board of FIG. 15.
 FIG. 19 is a side elevation view of the diving board of FIG. 15.
 FIG. 20 is a front elevation view of the diving board of FIG. 15.
 FIG. 21 is a rear elevation view of the diving board of FIG. 15.
 FIG. 22 is a top isometric view of a diving board in accordance with a fourth embodiment.
 FIG. 23 is a bottom isometric view of the diving board of FIG. 22.

(Continued)

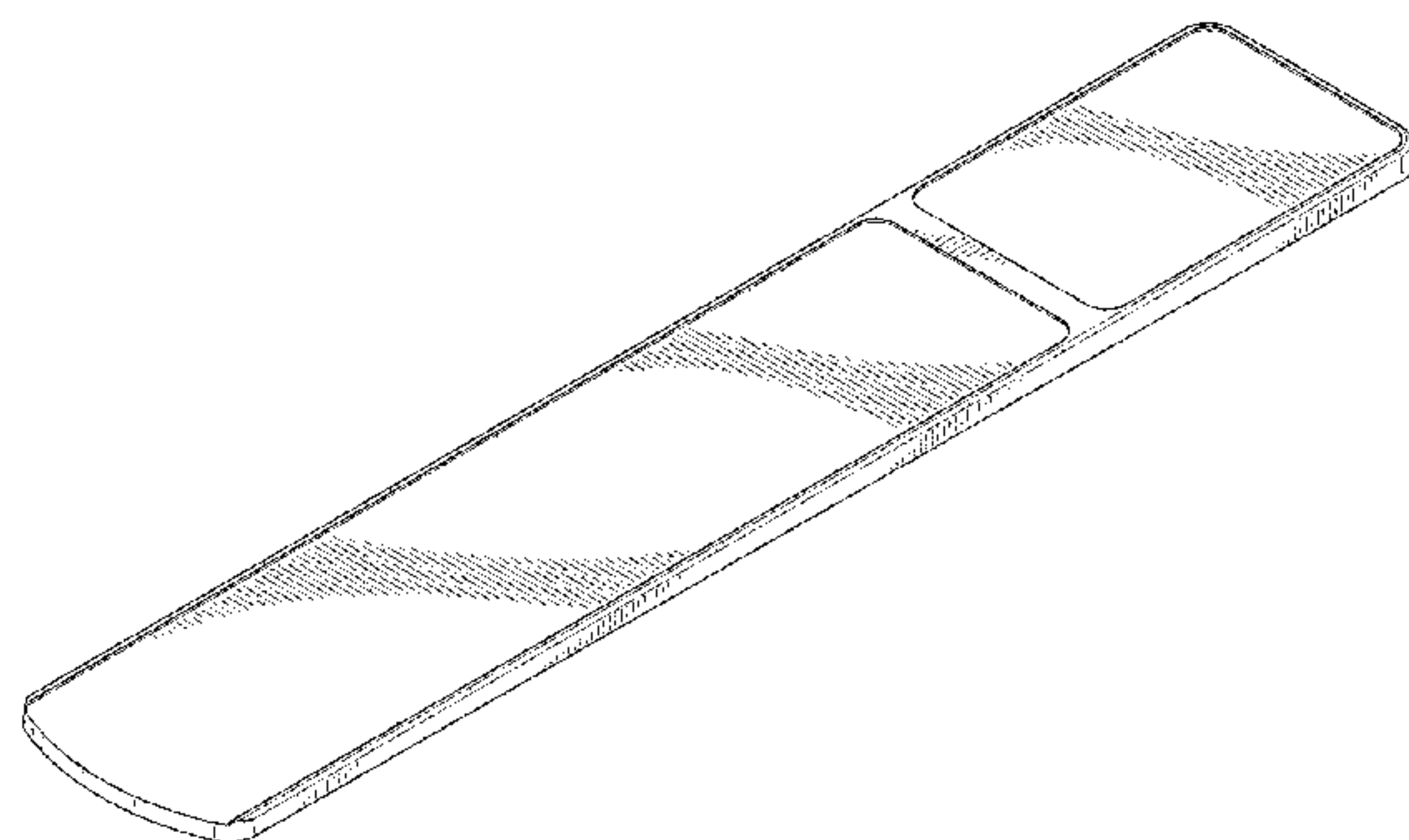
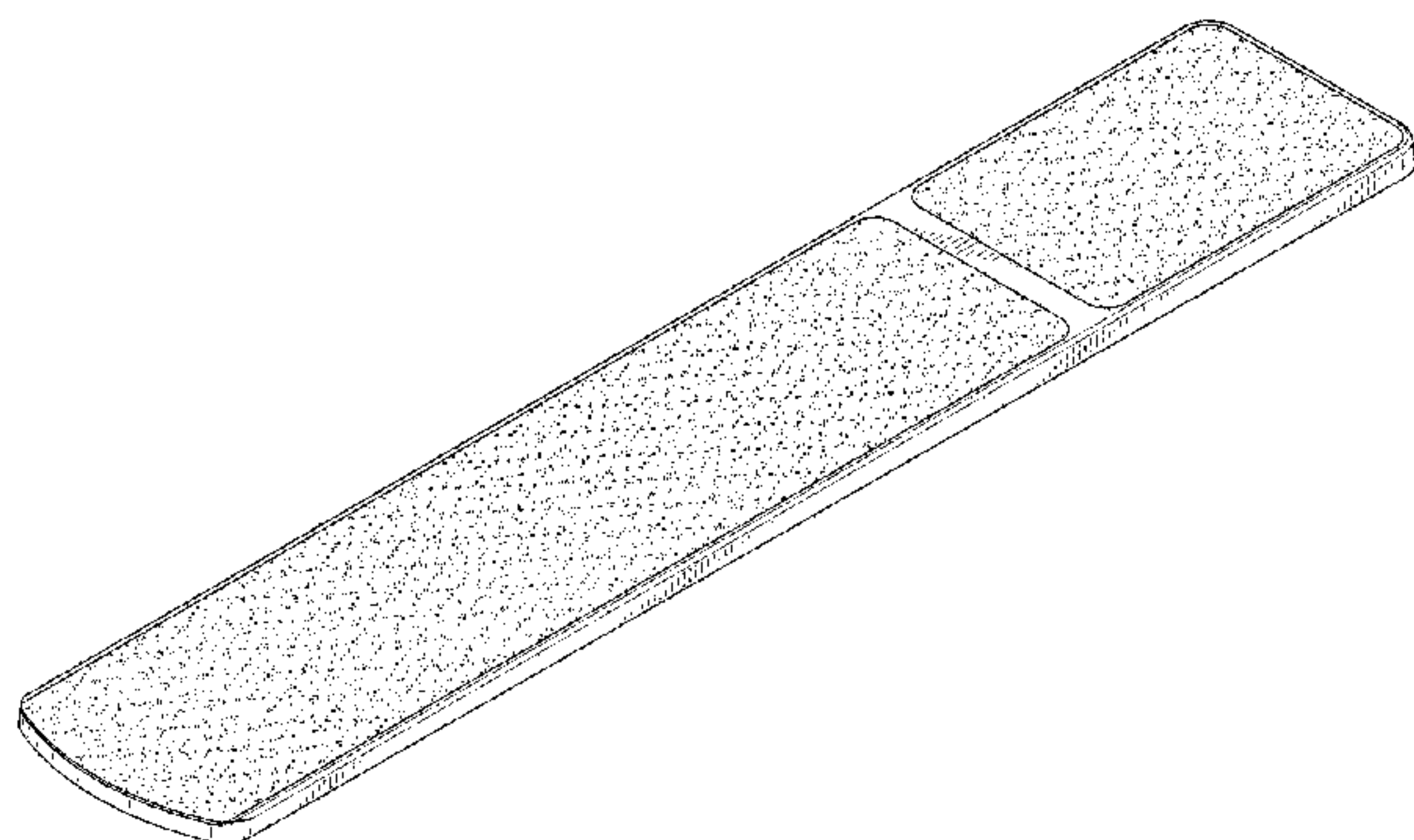


FIG. 24 is a top plan view of the diving board of FIG. 22.
 FIG. 25 is a bottom plan view of the diving board of FIG. 22.
 FIG. 26 is a side elevation view of the diving board of FIG. 22.
 FIG. 27 is a front elevation view of the diving board of FIG. 22.
 FIG. 28 is a rear elevation view of the diving board of FIG. 22.
 FIG. 29 is a top isometric view of a diving board in accordance with a fifth embodiment.
 FIG. 30 is a bottom isometric view of the diving board of FIG. 29.
 FIG. 31 is a top plan view of the diving board of FIG. 29.
 FIG. 32 is a bottom plan view of the diving board of FIG. 29.
 FIG. 33 is a side elevation view of the diving board of FIG. 29.
 FIG. 34 is a front elevation view of the diving board of FIG. 29.
 FIG. 35 is a rear elevation view of the diving board of FIG. 29.
 FIG. 36 is a top isometric view of a diving board in accordance with a sixth embodiment.
 FIG. 37 is a bottom isometric view of the diving board of FIG. 36.
 FIG. 38 is a top plan view of the diving board of FIG. 36.
 FIG. 39 is a bottom plan view of the diving board of FIG. 36.
 FIG. 40 is a side elevation view of the diving board of FIG. 36.
 FIG. 41 is a front elevation view of the diving board of FIG. 36; and,
 FIG. 42 is a rear elevation view of the diving board of FIG. 36.

The stippling depicts textured surface that forms part of the claimed design. The broken lines in the drawings depict unclaimed portions of the diving board only and form no part of the claimed design.

1 Claim, 18 Drawing Sheets

(58) **Field of Classification Search**

USPC D21/802, 803, 804, 805, 806, 807, 808,
 D21/810; D12/301, 302, 303, 306, 310,
 D12/311, 312, 313, 314, 316
 CPC A41D 13/0518; A63B 2208/03; A63B
 2225/605; A63B 31/00; A63B 31/10;
 A63B 69/14; A63B 31/11; B63B 21/66;
 B63C 11/02

See application file for complete search history.

(56) **References Cited**

U.S. PATENT DOCUMENTS

D187,475	S *	3/1960	Baker	D21/802
D191,830	S *	11/1961	Rude	D21/802
D195,038	S *	4/1963	Rude	482/30
D199,971	S *	1/1965	Hiadchuk	D21/802
D211,784	S *	7/1968	Kinsman	D21/802
D211,864	S *	8/1968	Meyer	D21/802
3,502,327	A *	3/1970	Meyer	A63B 5/10 273/DIG. 7
3,861,674	A	1/1975	Buck, Jr.		
4,049,263	A	9/1977	Gerritsen et al.		
D268,690	S *	4/1983	Bennett	D21/483
D464,699	S	10/2002	Brice		
D573,681	S *	7/2008	Svendsen	D21/802
D588,671	S *	3/2009	Ball	D21/802
D608,402	S *	1/2010	Johnsrud	D21/766
8,075,452	B2	12/2011	Isaacson et al.		
D673,233	S	12/2012	Baggett		
9,067,093	B2 *	6/2015	Isaacson	A63B 5/10
2018/0093118	A1 *	4/2018	Laitta	A63B 5/10

OTHER PUBLICATIONS

SR Smith, "Boards," www.srsmith.com, 2013, 1 p.

* cited by examiner

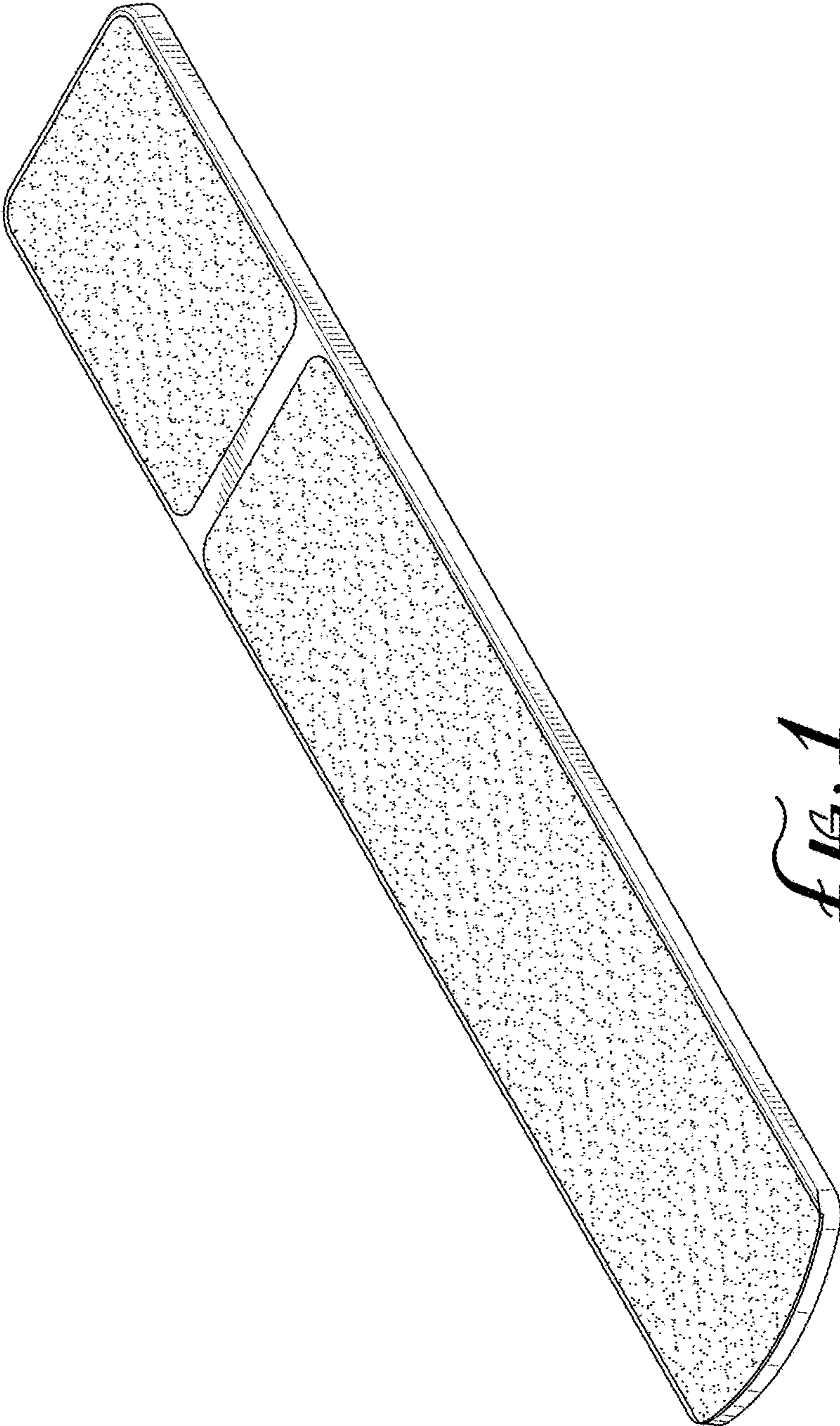


FIG. 1

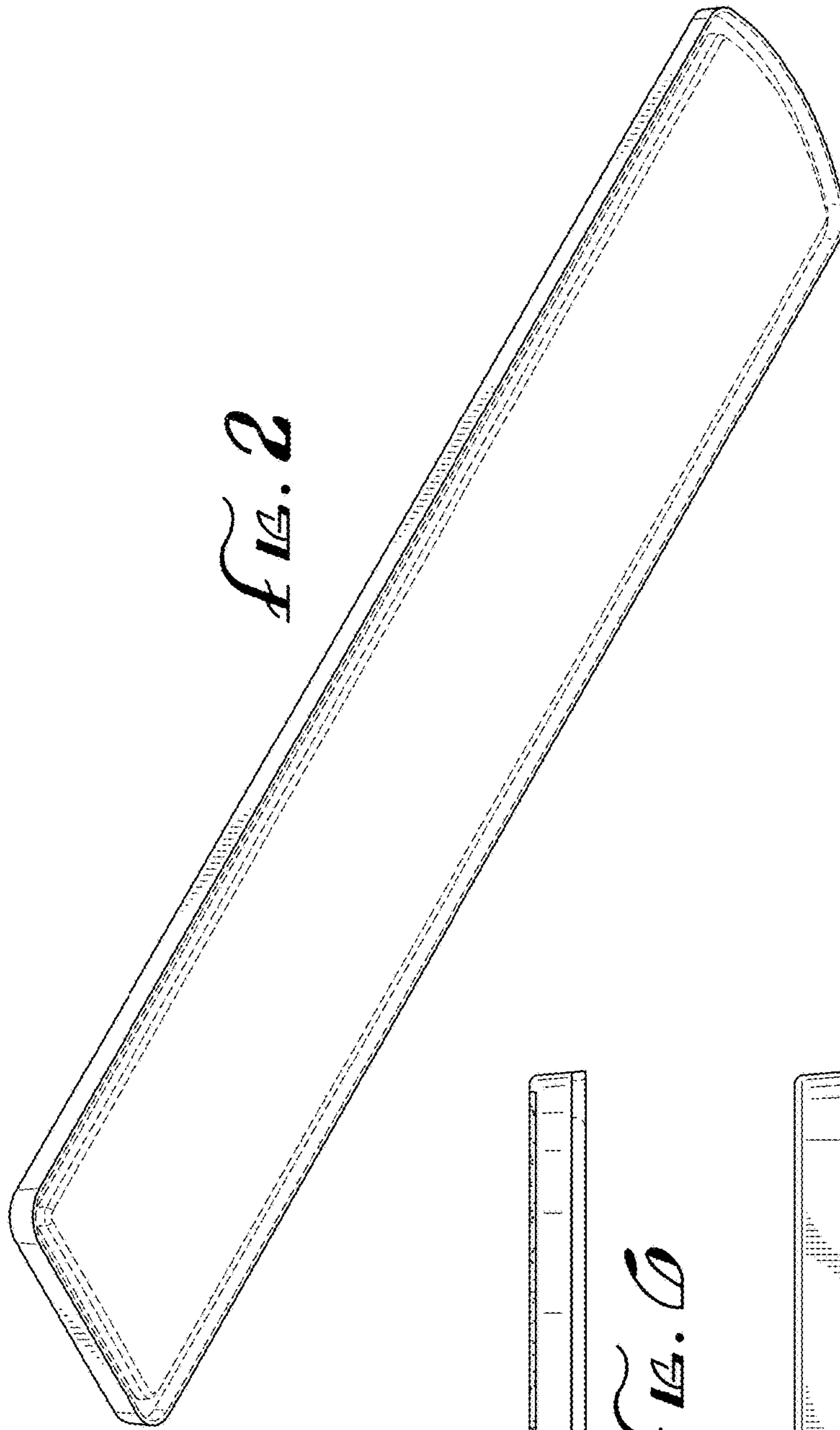


FIG. 2



FIG. 6

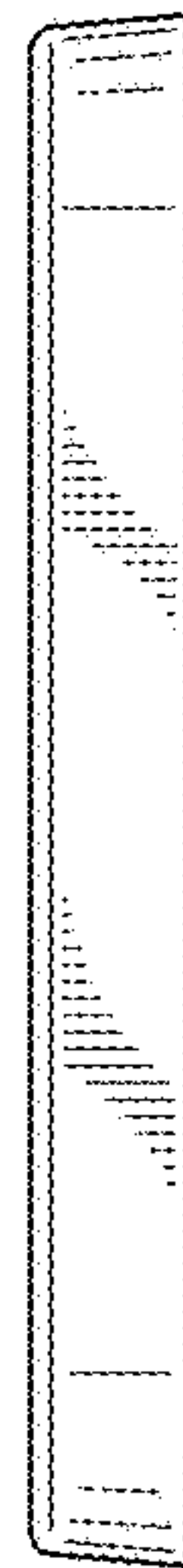


FIG. 7

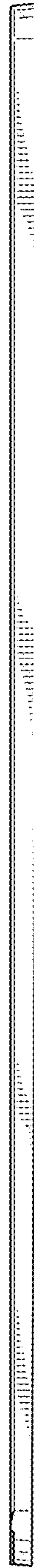


FIG. 5

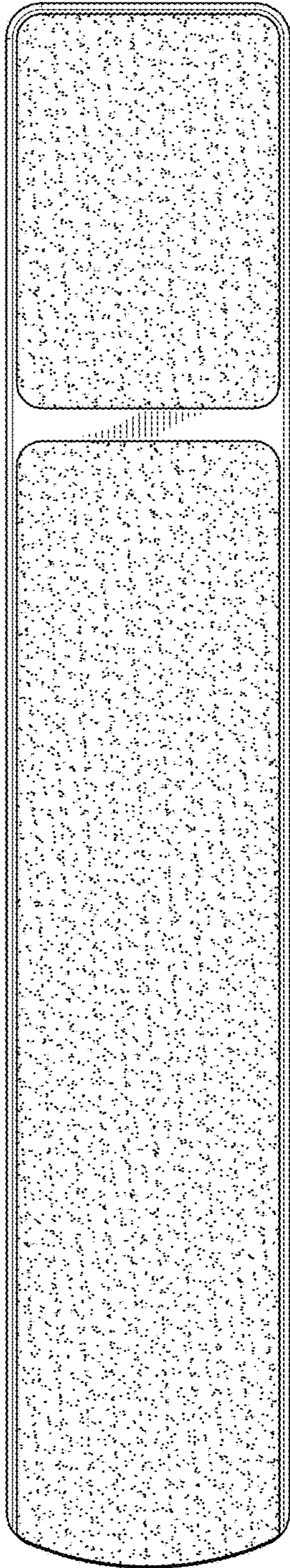


FIG. 3

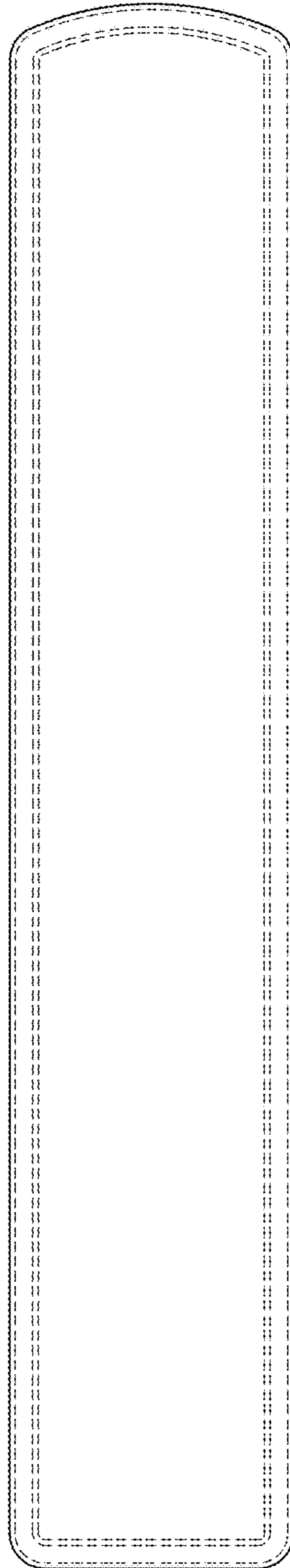


FIG. 4

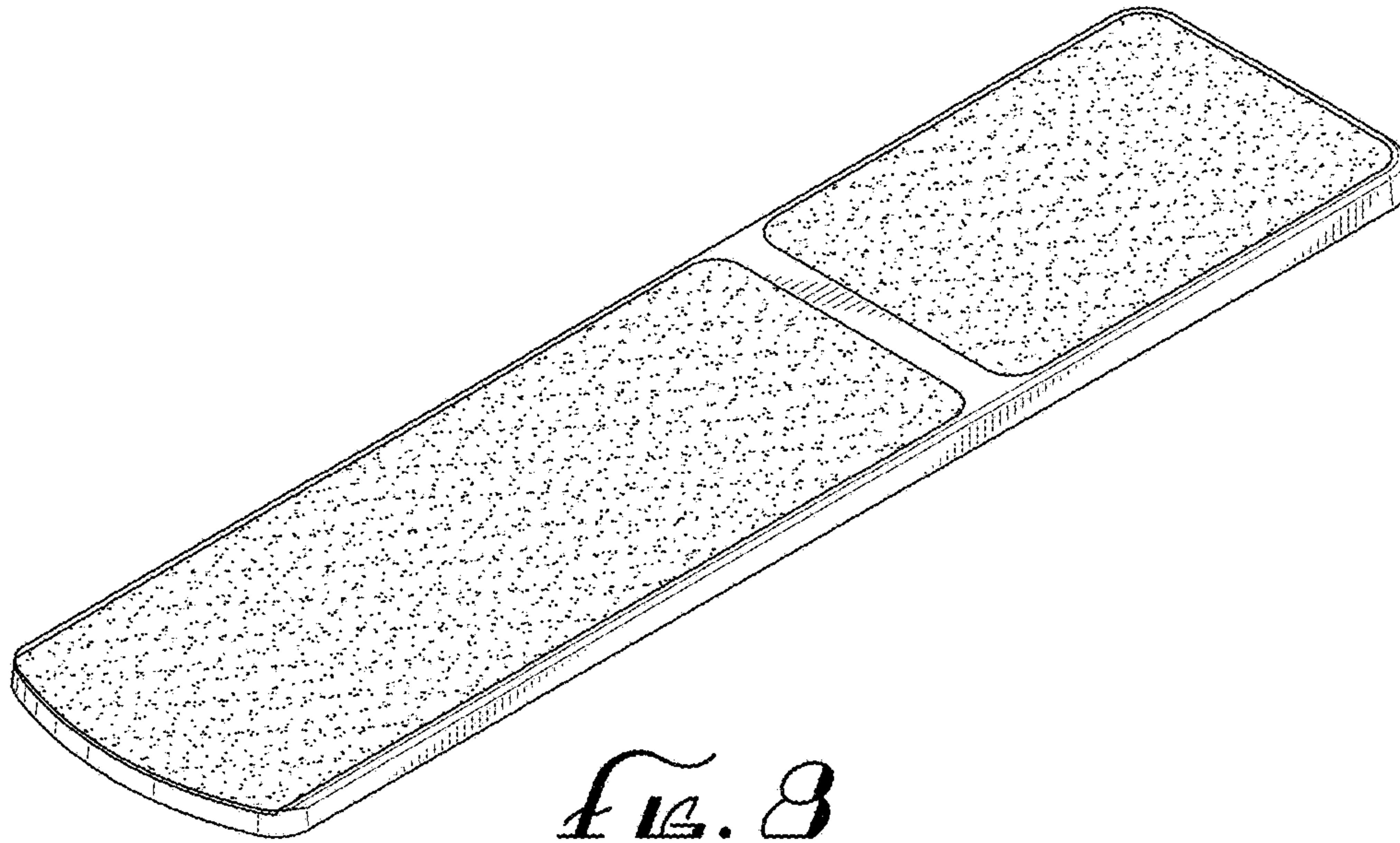


FIG. 8

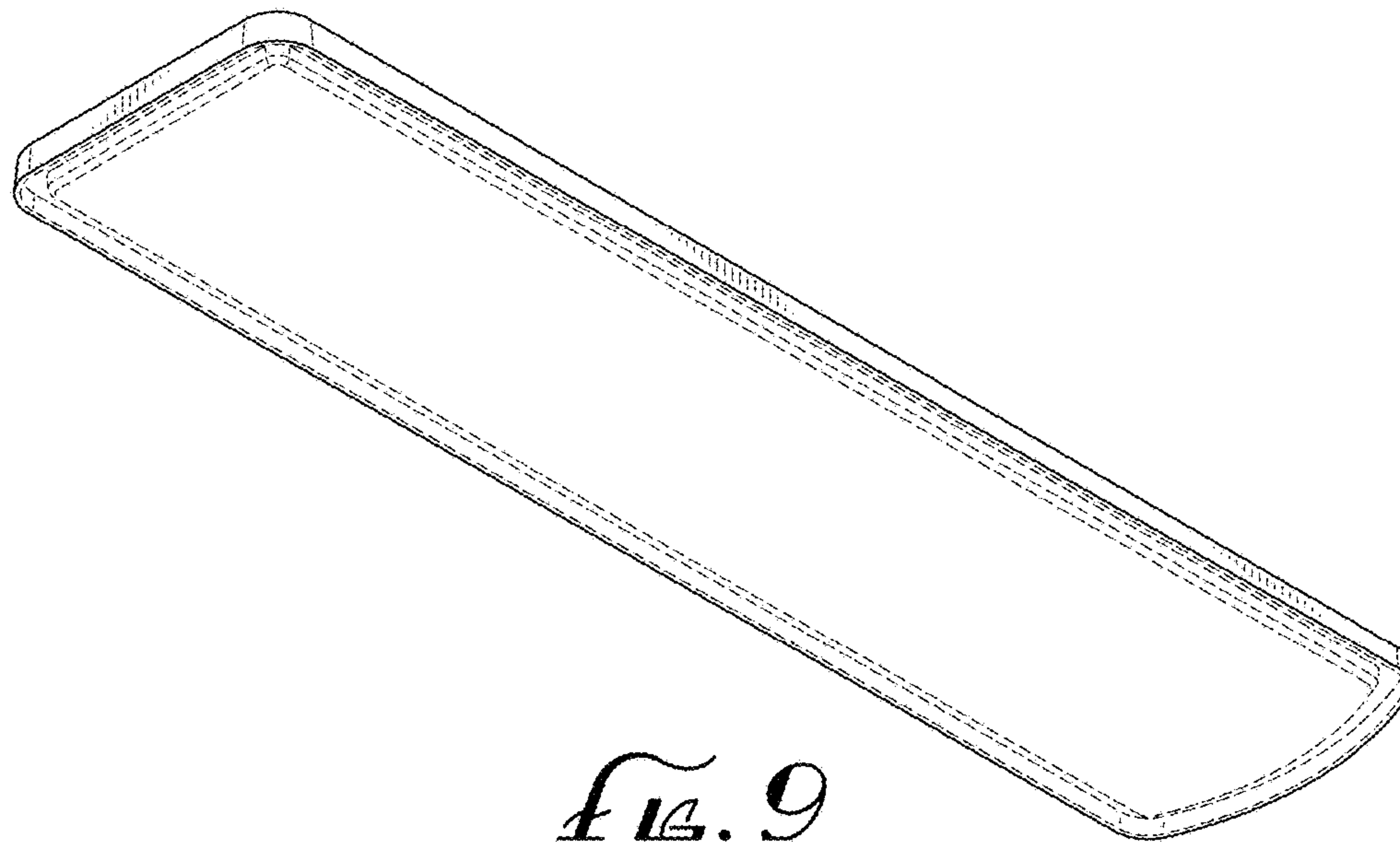


FIG. 9

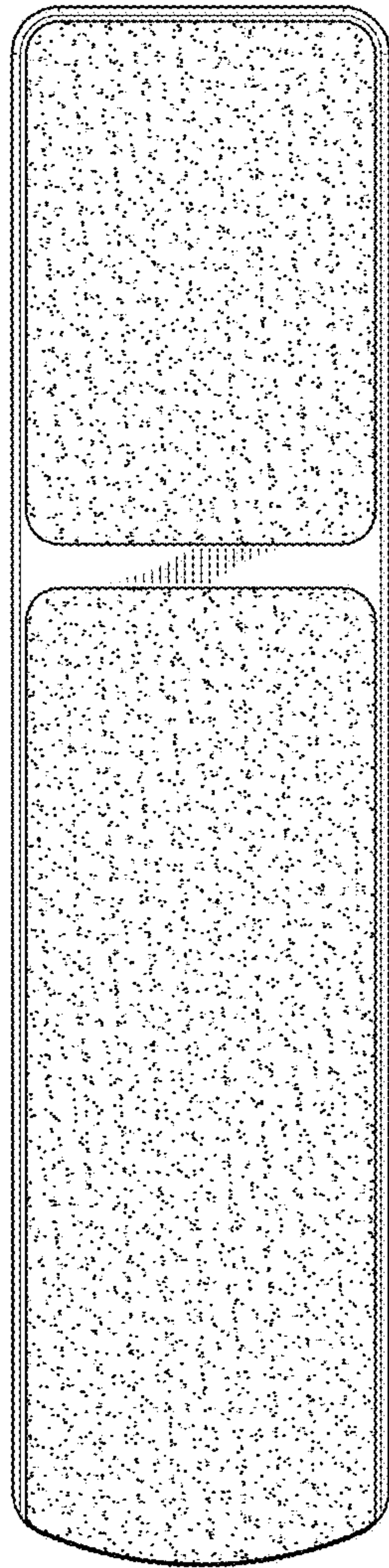


FIG. 10

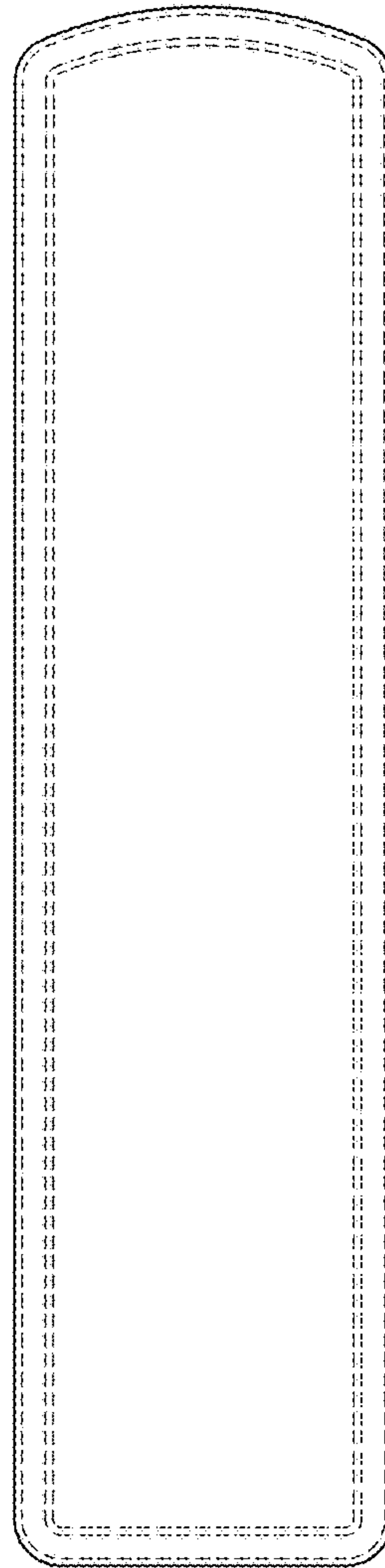


FIG. 11

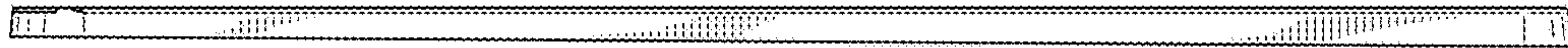


FIG. 12



FIG. 13

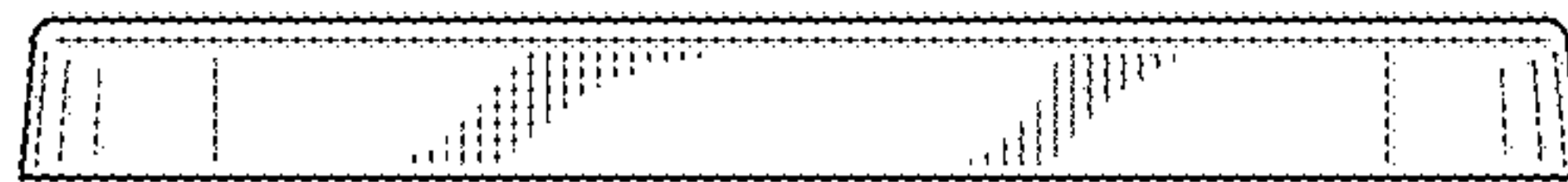


FIG. 14

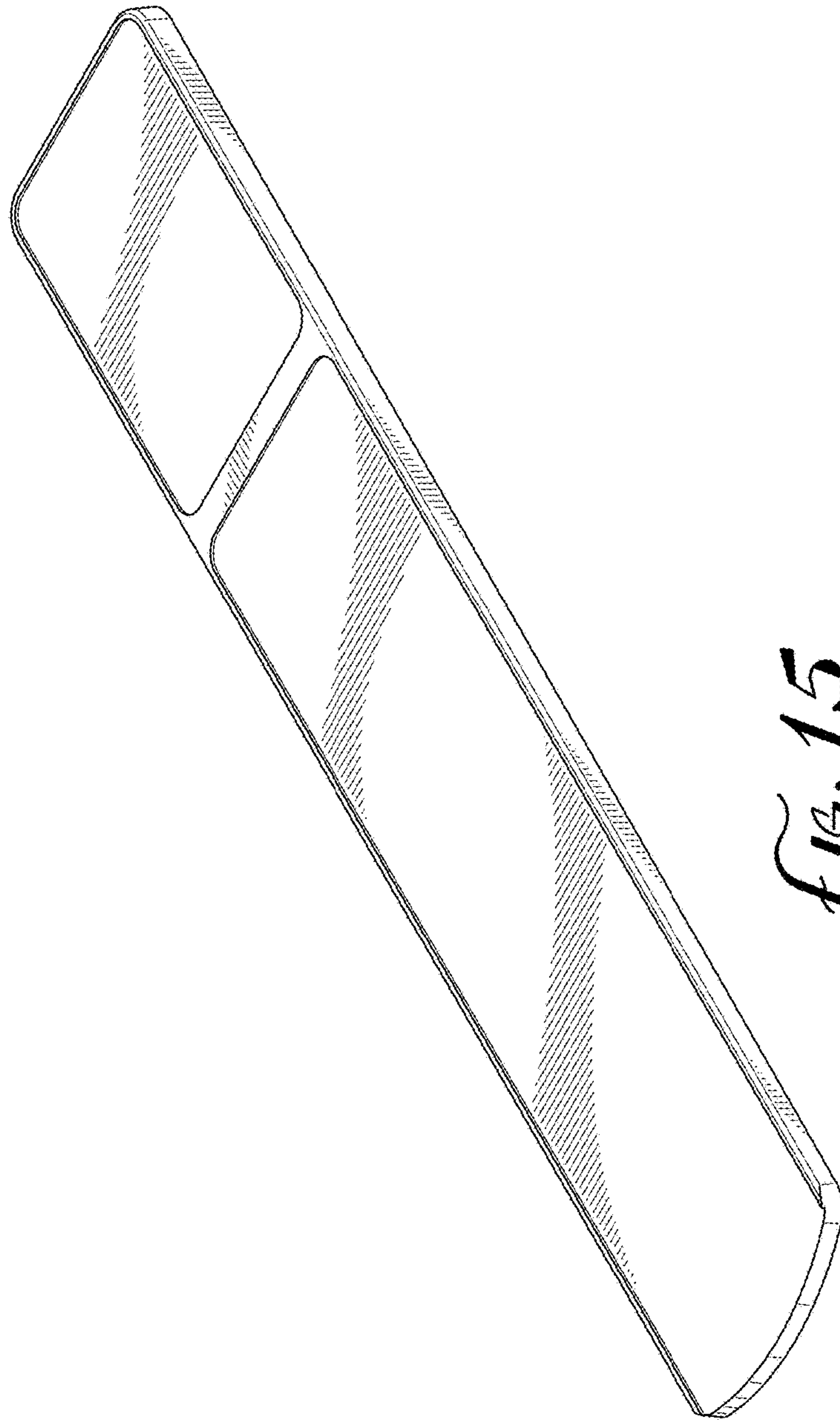


FIG. 15

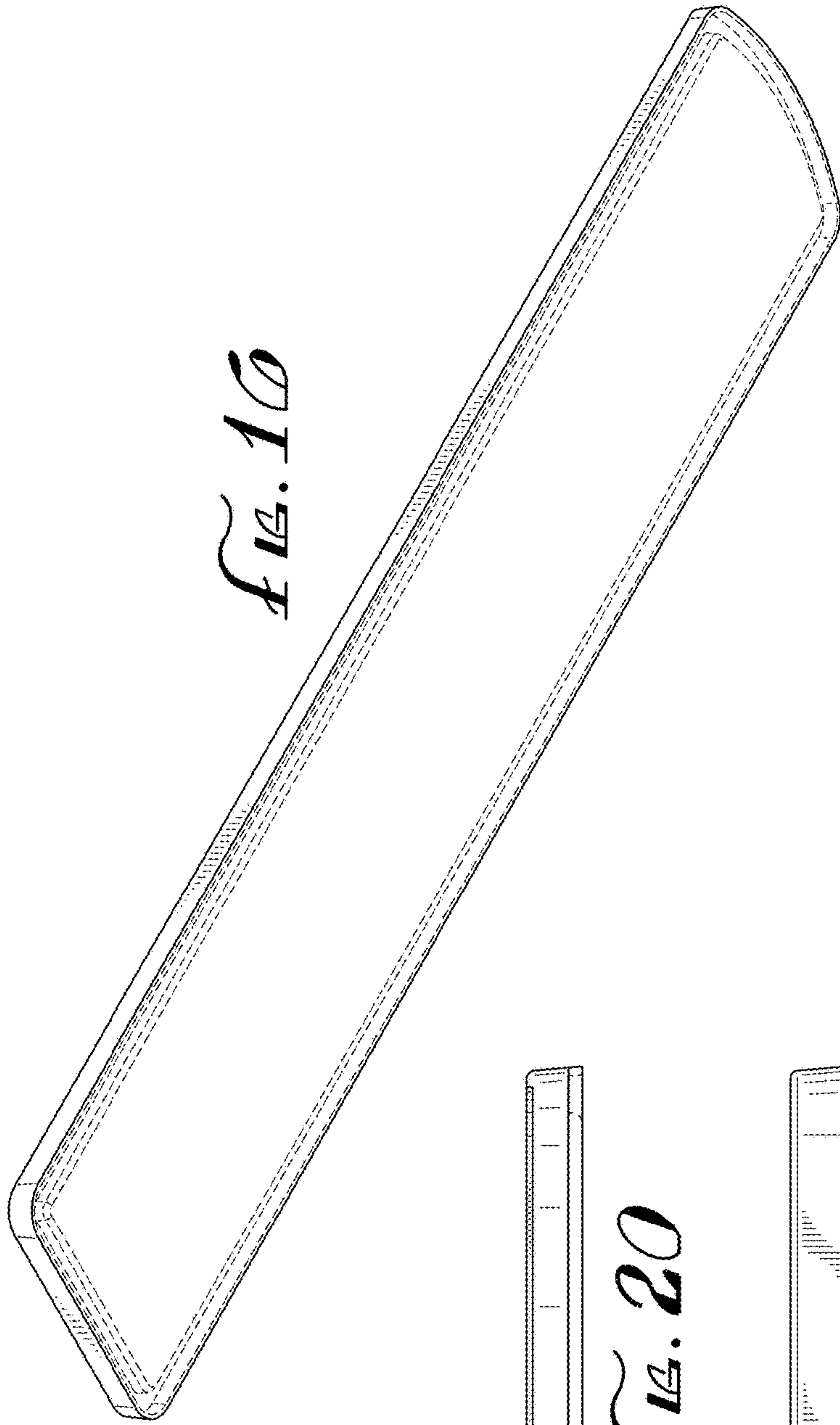


FIG. 10

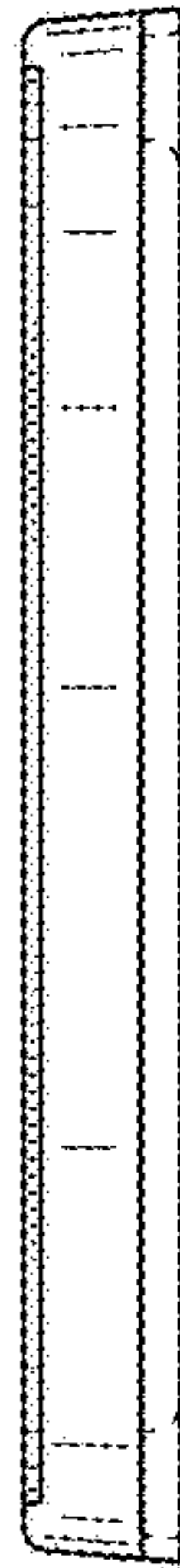


FIG. 20

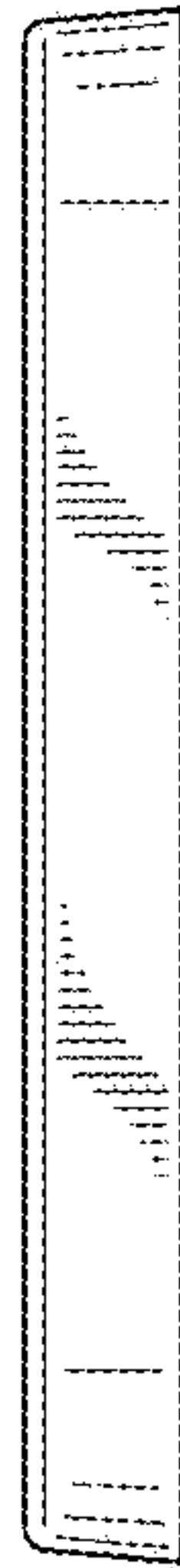


FIG. 21

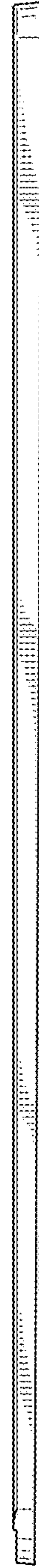


FIG. 19

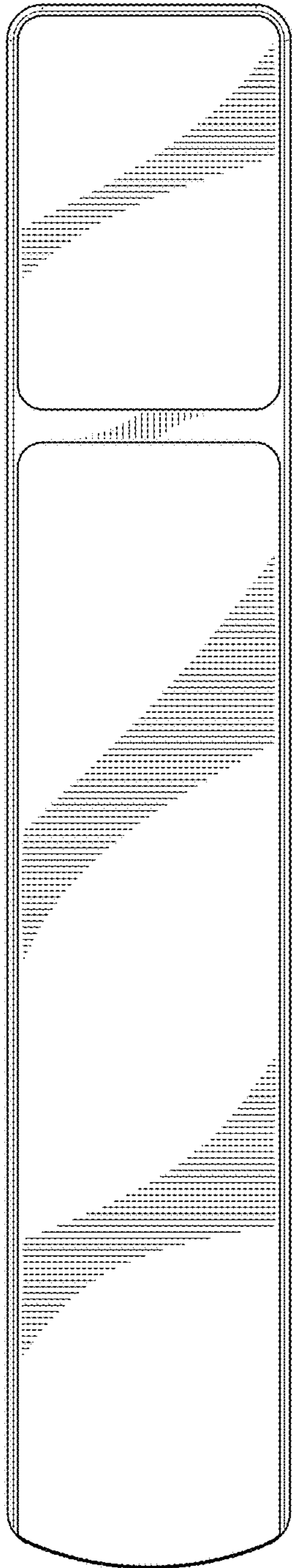


FIG. 17

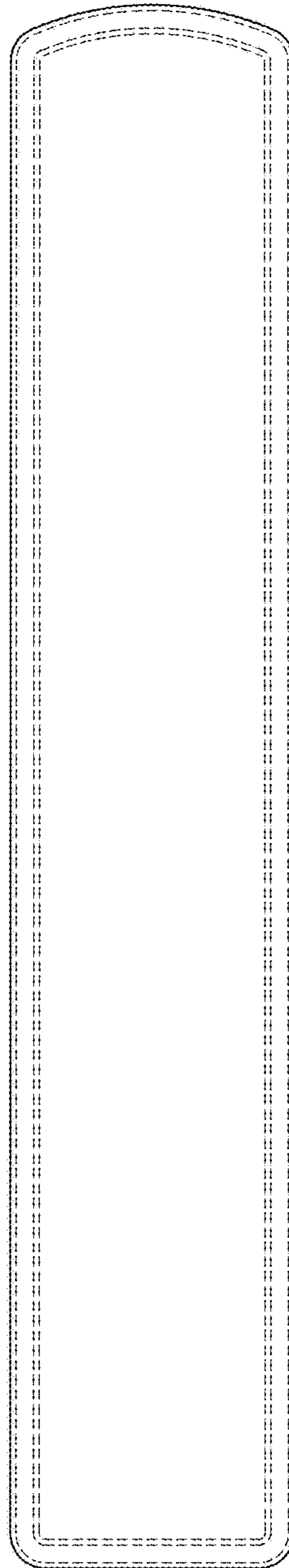
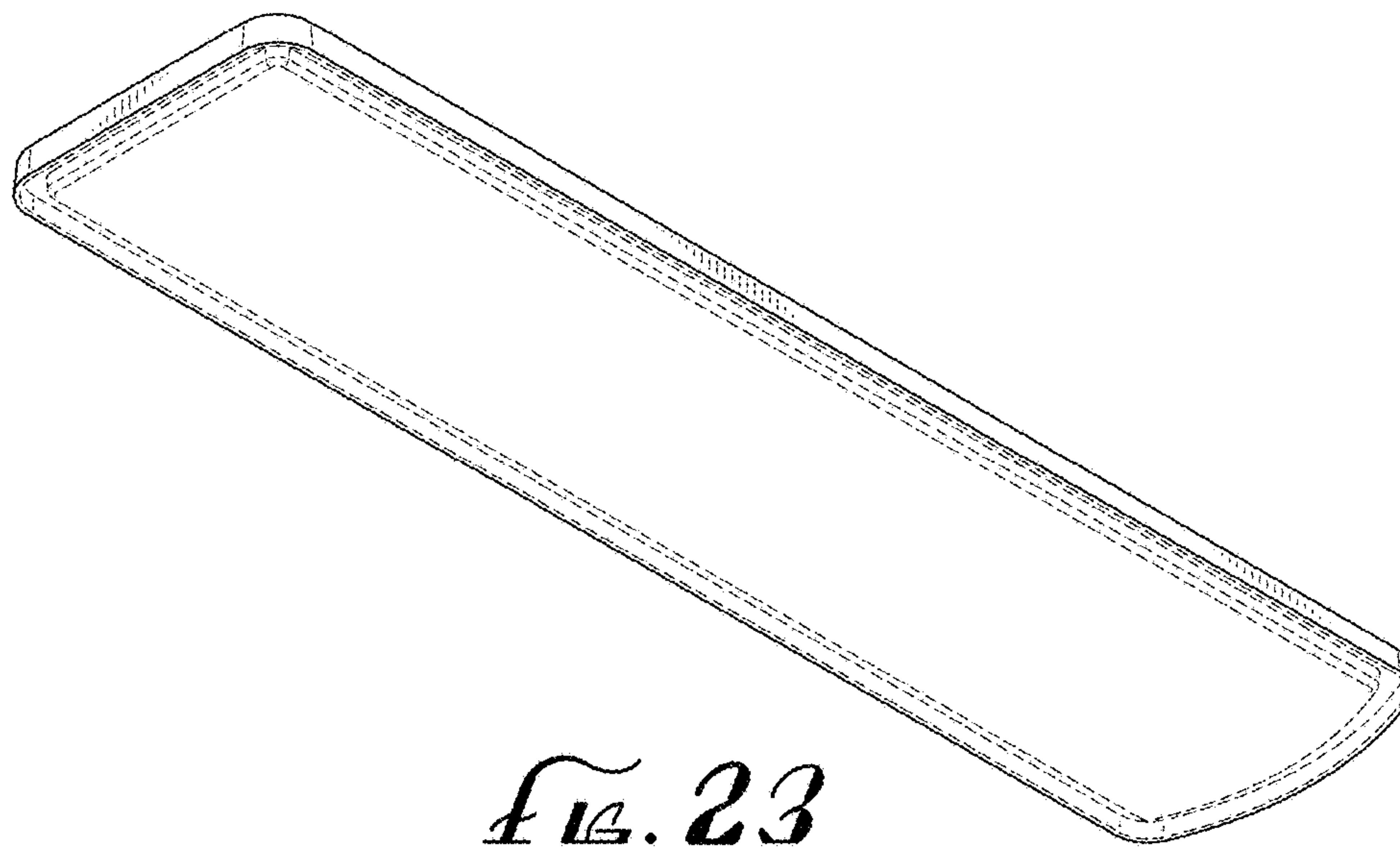
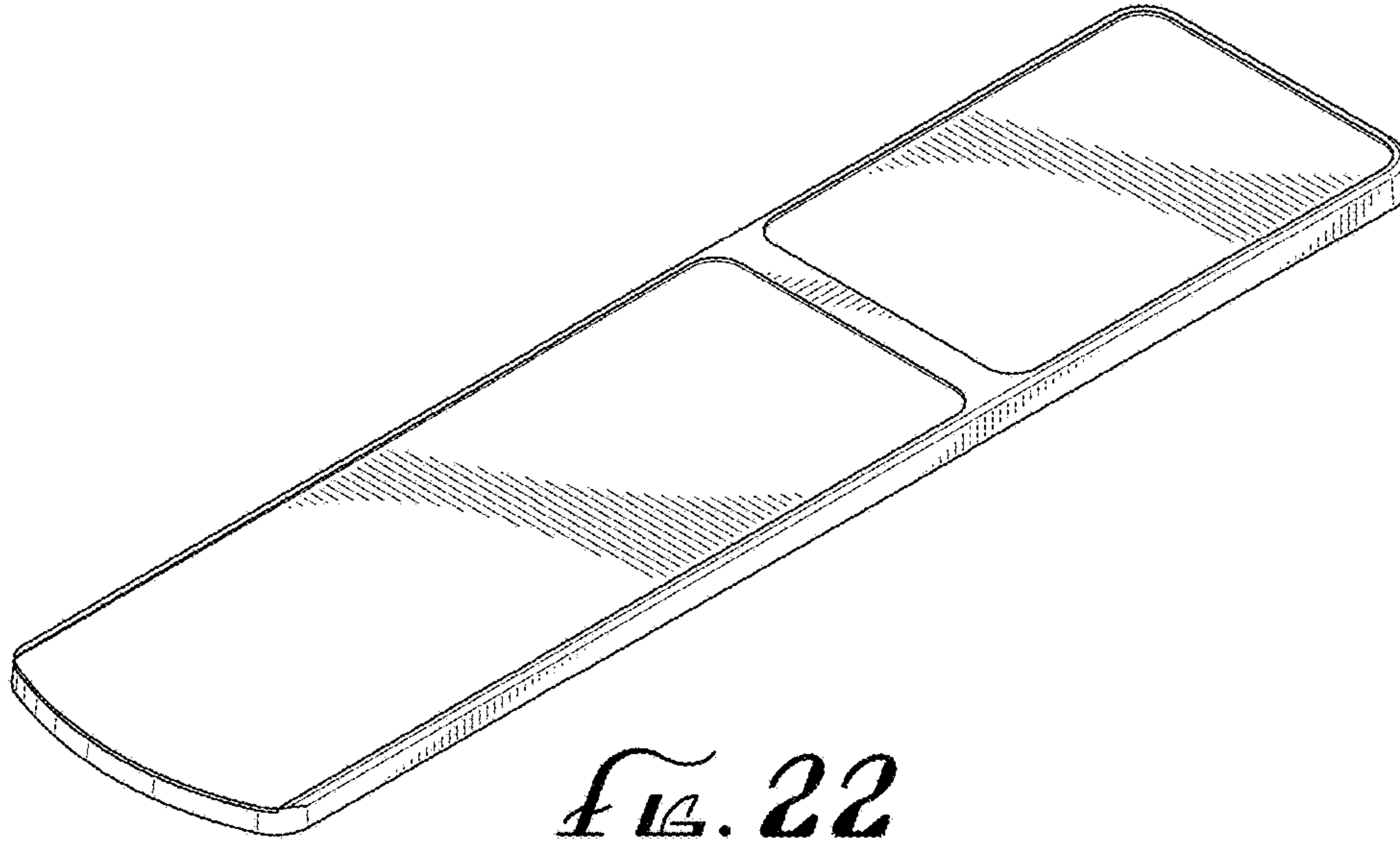


FIG. 18



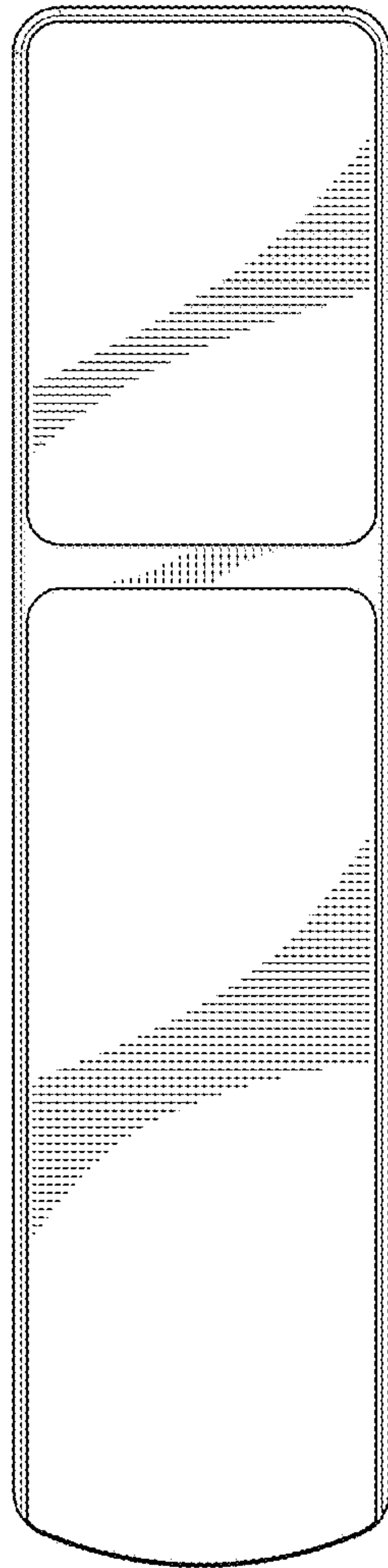


FIG. 24

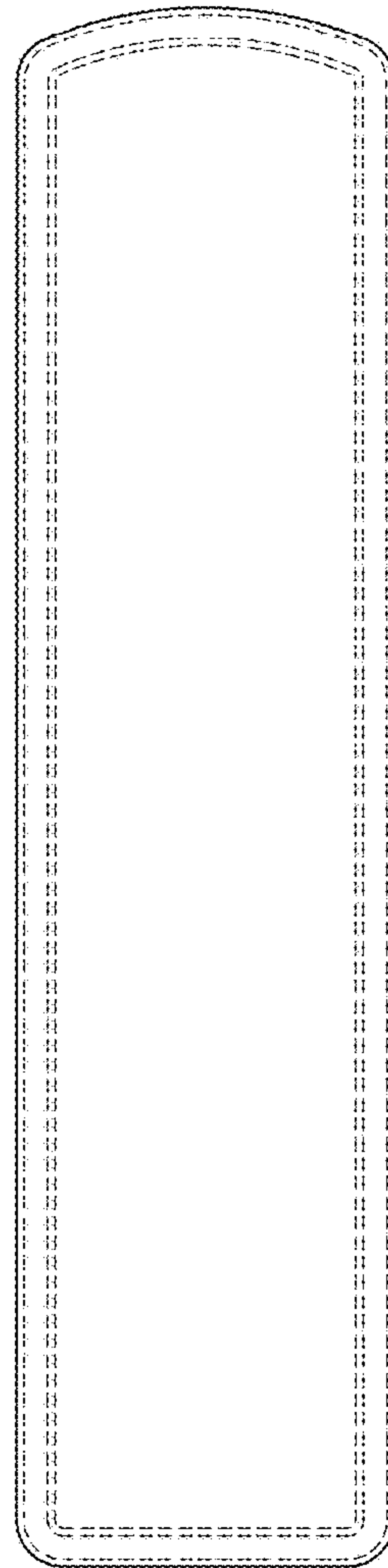


FIG. 25

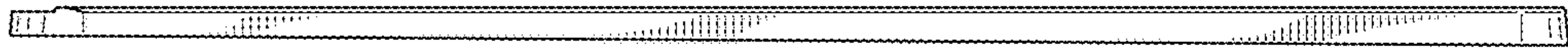


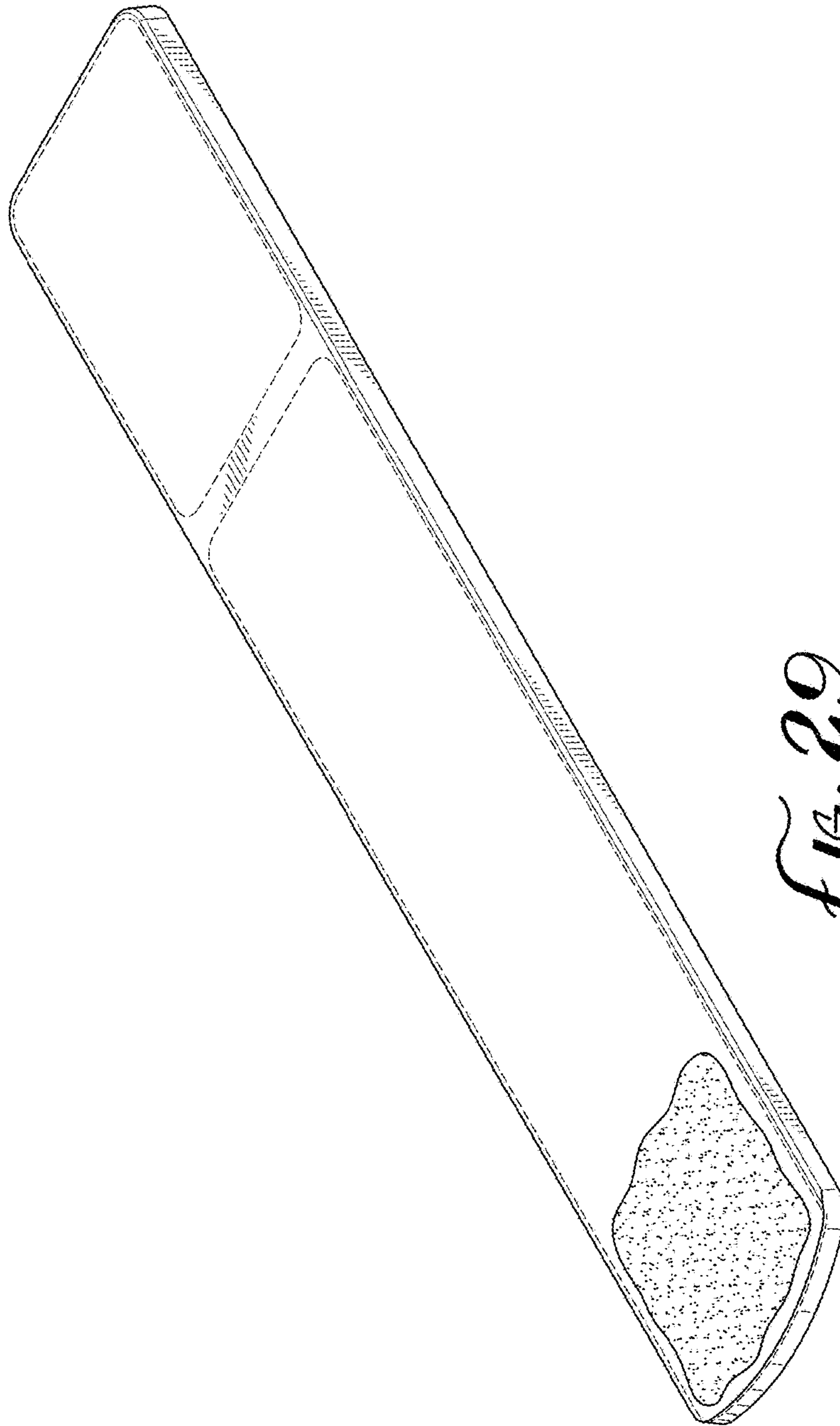
FIG. 26



FIG. 27



FIG. 28



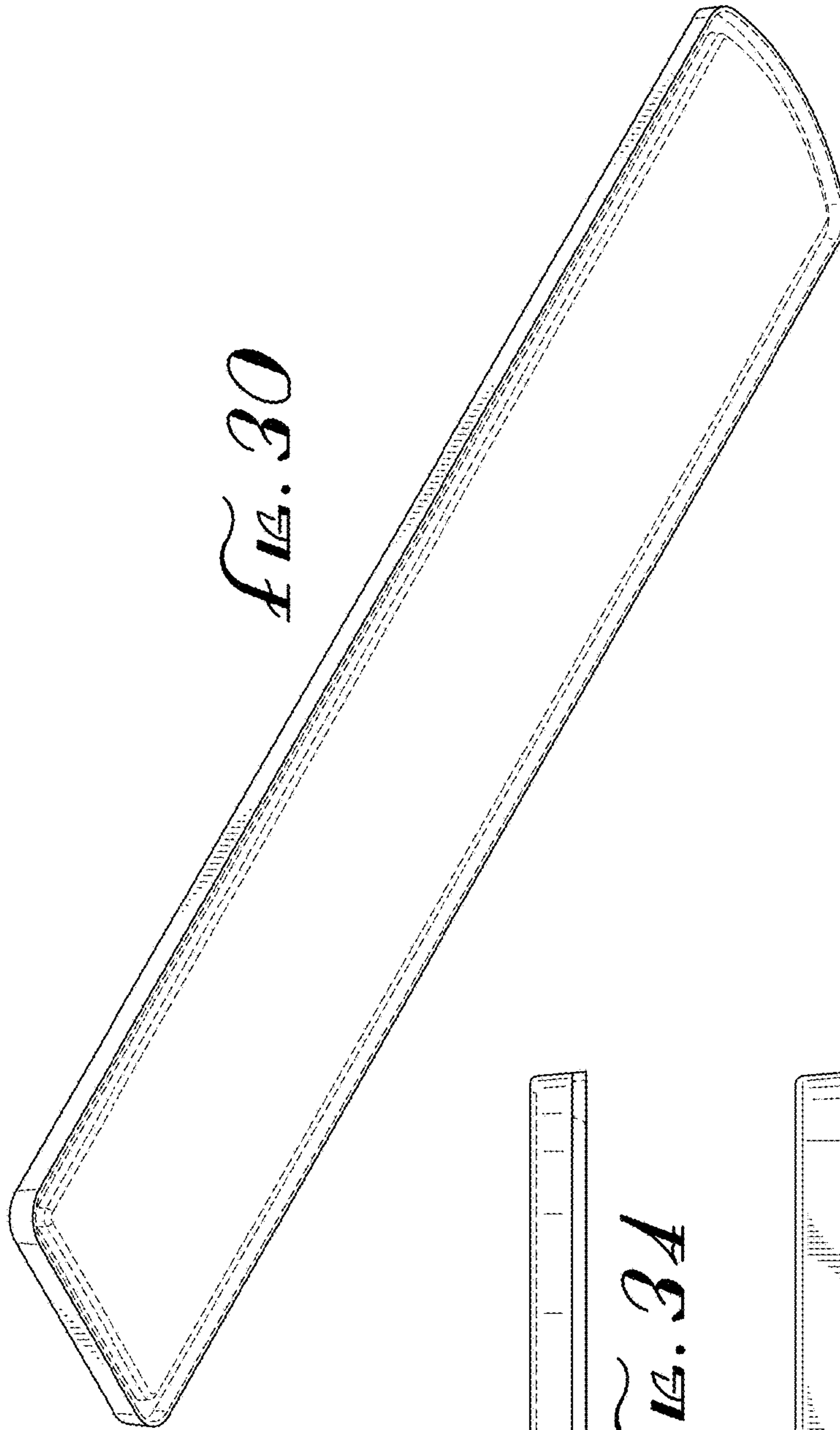


FIG. 30

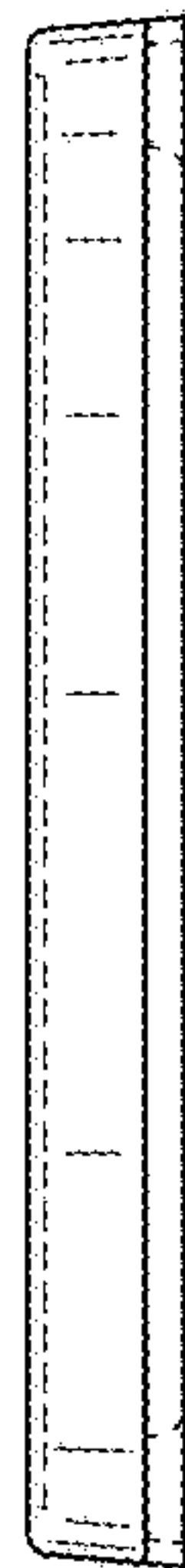


FIG. 34



FIG. 35

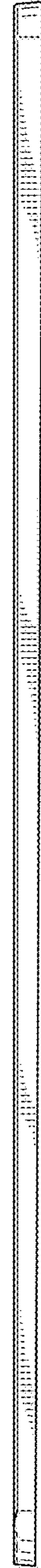


FIG. 33

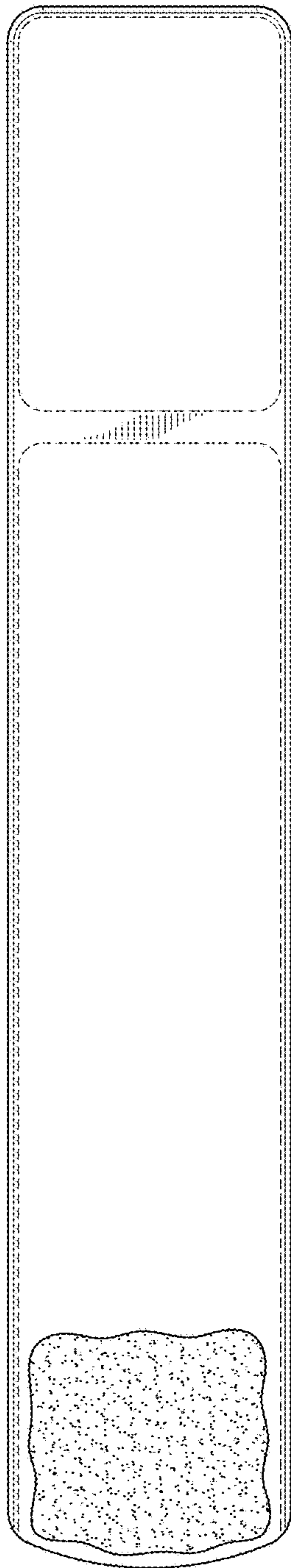


FIG. 31

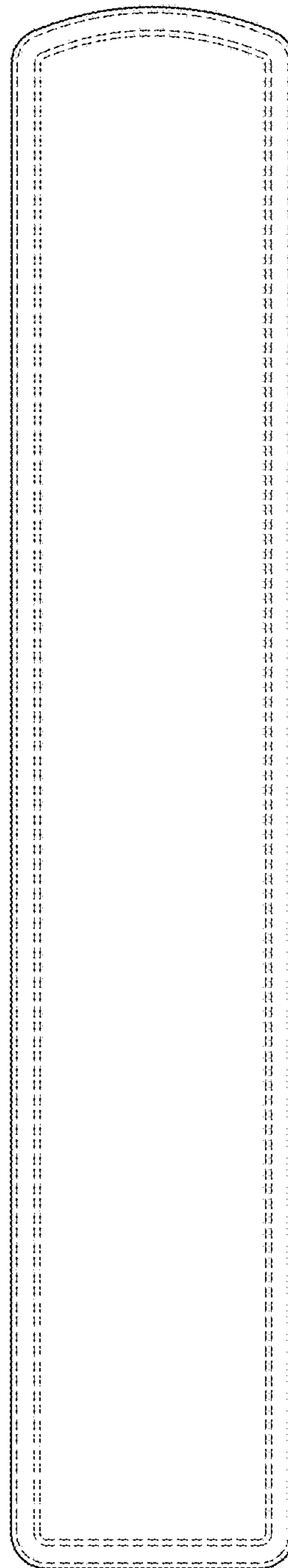


FIG. 32

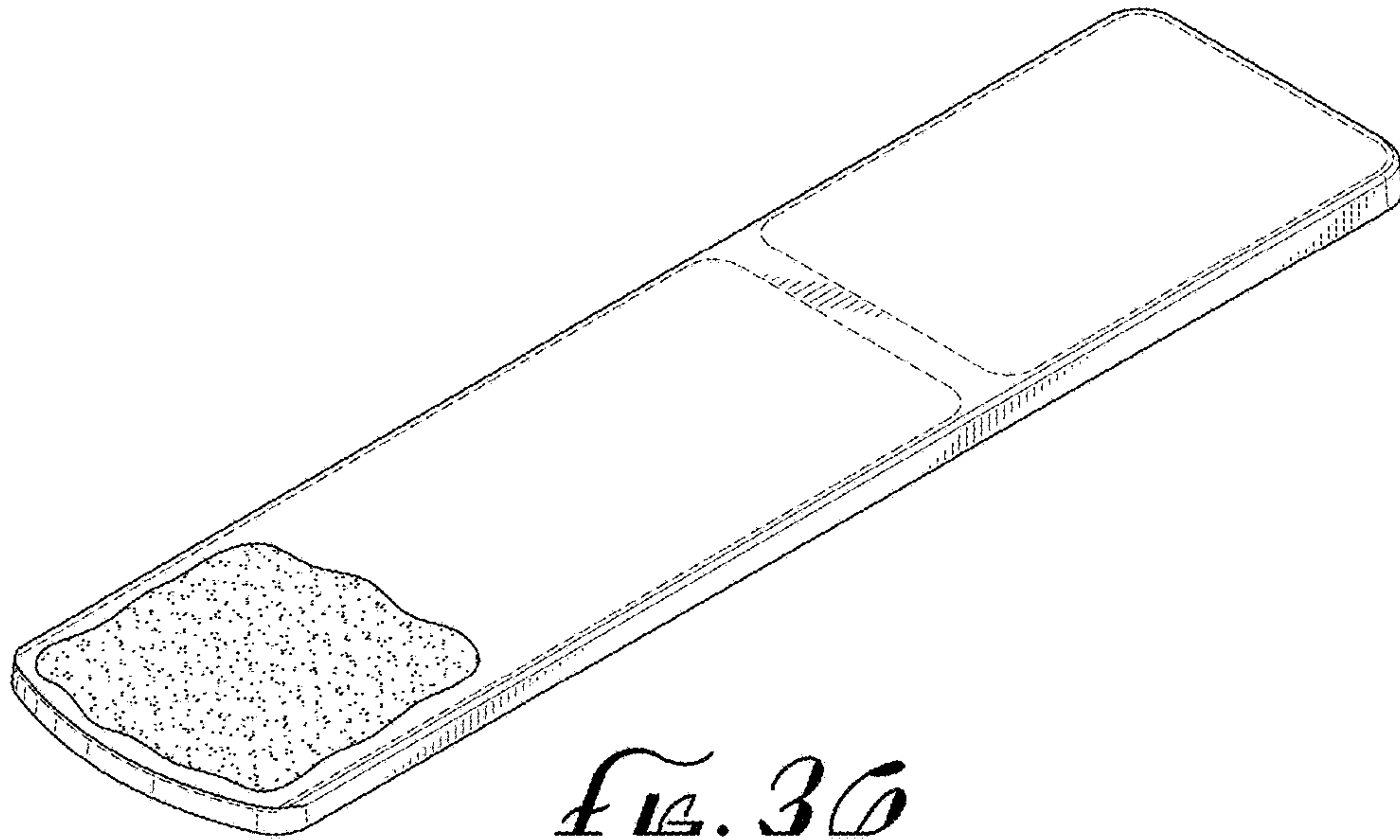


FIG. 36

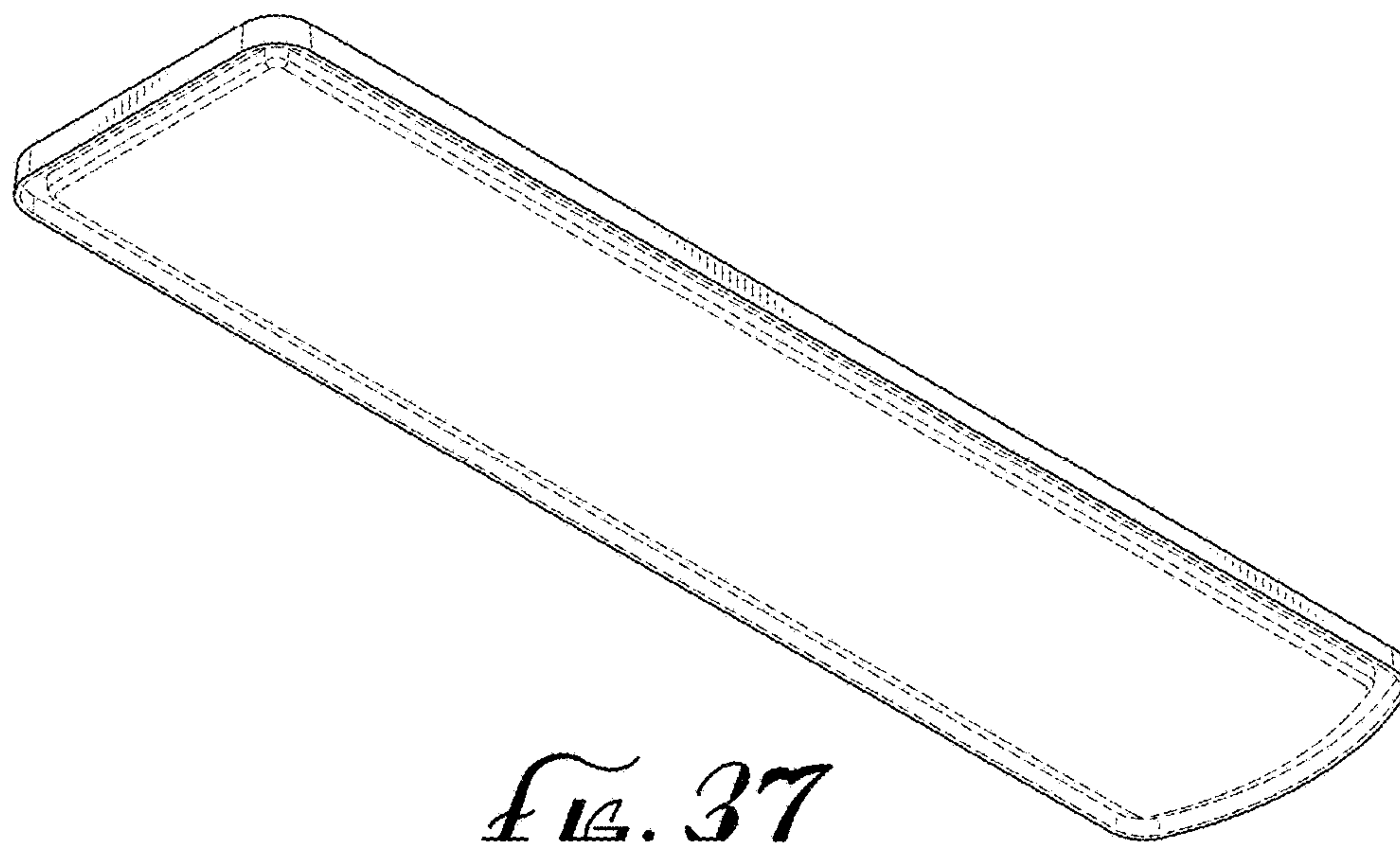


FIG. 37

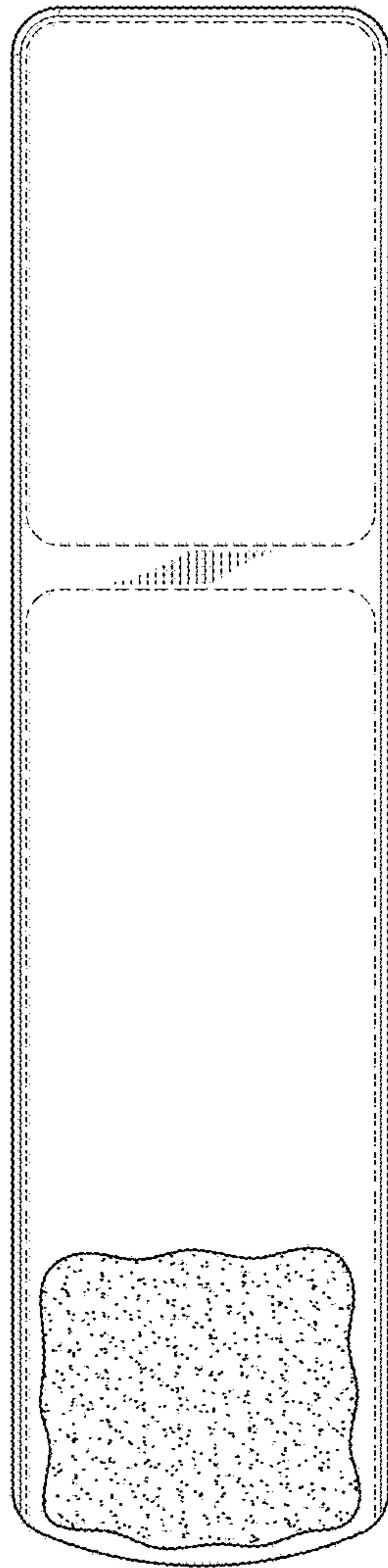


FIG. 38

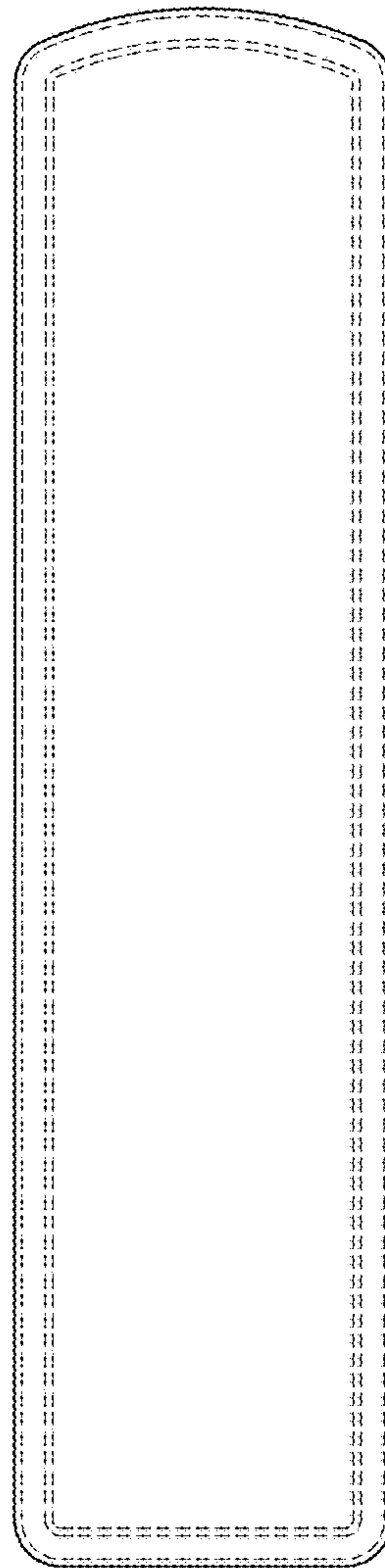


FIG. 39

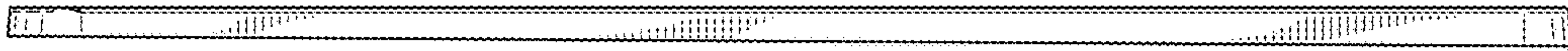


FIG. 40



FIG. 41

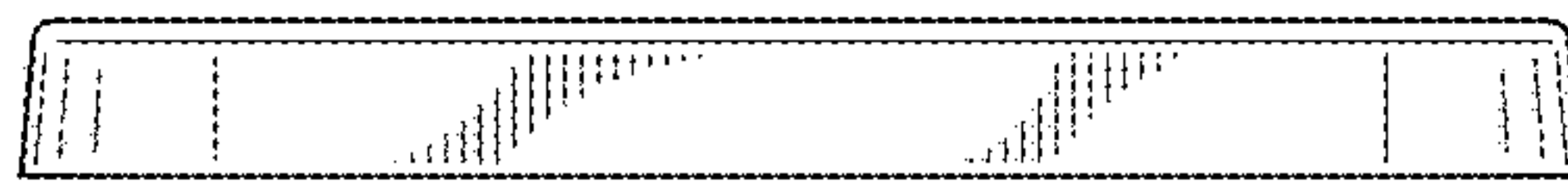


FIG. 42