



US00D855723S

(12) **United States Design Patent**
Sjostrom et al.

(10) **Patent No.:** **US D855,723 S**
(45) **Date of Patent:** **** Aug. 6, 2019**

(54) **FOLDABLE GOLF PRACTICE PLATFORM**

DESCRIPTION

- (71) Applicants: **Carl Sjostrom**, Menifee, CA (US);
Andrew Sjostrom, Menifee, CA (US)
- (72) Inventors: **Carl Sjostrom**, Menifee, CA (US);
Andrew Sjostrom, Menifee, CA (US)
- (**) Term: **15 Years**
- (21) Appl. No.: **29/646,114**
- (22) Filed: **May 1, 2018**

Related U.S. Application Data

- (63) Continuation-in-part of application No. 29/592,442,
filed on Jan. 30, 2017, now abandoned.
- (51) **LOC (12) Cl.** **21-02**
- (52) **U.S. Cl.**
USPC **D21/791**
- (58) **Field of Classification Search**
USPC D21/789, 791

(Continued)

(56) **References Cited**

U.S. PATENT DOCUMENTS

- 4,779,796 A * 10/1988 Lai A63B 69/3652
473/279
- 4,875,684 A * 10/1989 Benilan A63B 69/3652
473/279

(Continued)

Primary Examiner — Mitchell I. Siegel

(74) *Attorney, Agent, or Firm* — Martin E. Hsia; Keri
Ann K. S. Krzykowski

(57) **CLAIM**

The ornamental design for a foldable golf practice platform,
as shown and described.

FIG. 1 is an elevational view of the golf practice platform of our new design from the left, shown in the unfolded configuration;

FIG. 2 is a perspective view thereof from the front, top, left, shown in the unfolded configuration;

FIG. 3 is a perspective view from the front, top, left, shown in the unfolded configuration, with the unclaimed environment removed for clarity of disclosure;

FIG. 4 is a top plan view of FIG. 2, shown in the unfolded configuration;

FIG. 5 is a bottom plan view of FIG. 2, shown in the unfolded configuration;

FIG. 6 is an elevational view of FIG. 2, from the front, shown in the unfolded configuration;

FIG. 7 is an elevational view of FIG. 2, from the rear, shown in the unfolded configuration;

FIG. 8 is an elevational view of FIG. 2, from the left, shown in the unfolded configuration;

FIG. 9 is an elevational view of FIG. 2, from the right, shown in the unfolded configuration;

FIG. 10 is a cross-sectional view taken on line 10-10 of FIG. 4;

FIG. 11 is a perspective view thereof from the front, top, left, shown in the folded configuration;

FIG. 12 is an elevational view of FIG. 11, from the front, shown in the folded configuration;

FIG. 13 is an elevational view of FIG. 11, from the rear, shown in the folded configuration;

FIG. 14 is a top plan view of FIG. 11, shown in the folded configuration;

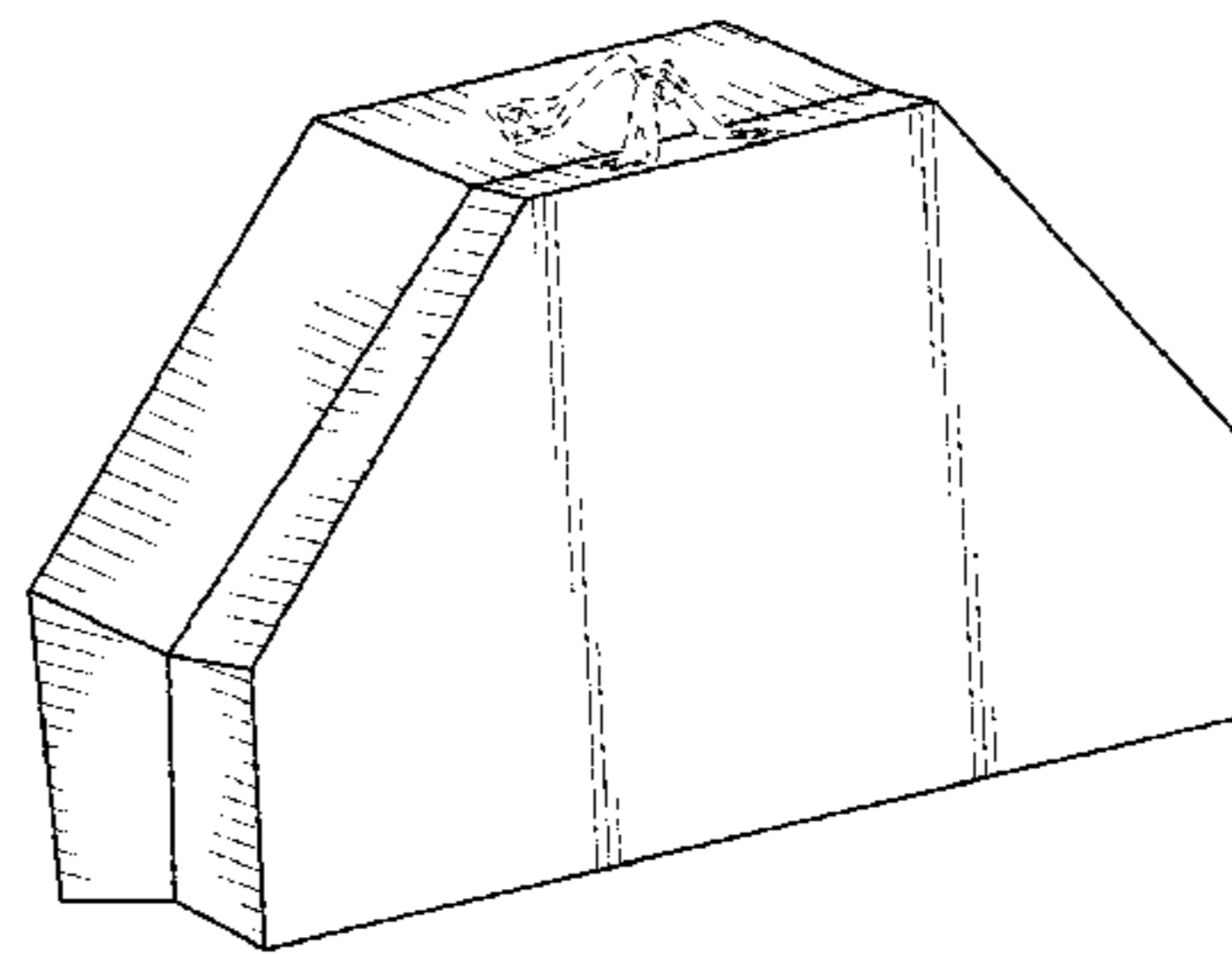
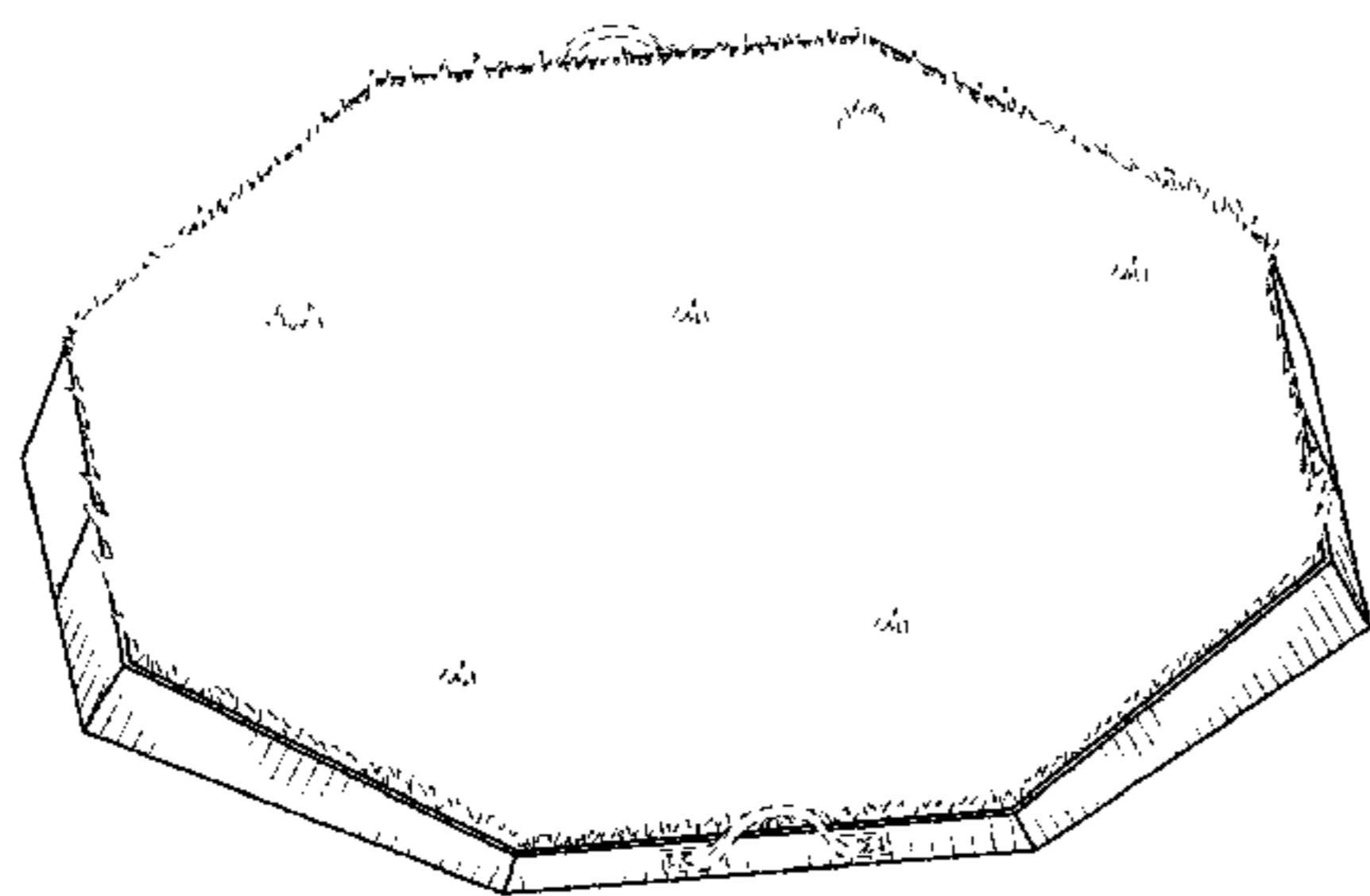
FIG. 15 is a bottom plan view of FIG. 11, shown in the folded configuration;

FIG. 16 is an elevational view of FIG. 11, from the left, shown in the folded configuration; and,

FIG. 17 is an elevational view of FIG. 11, from the right, shown in the folded configuration.

The broken lines in FIG. 1-14 and 16-17 show unclaimed environmental structure and portions of the golf practice platform that form no part of the design.

1 Claim, 6 Drawing Sheets



(58) **Field of Classification Search**
 CPC A63B 69/3667; A63B 69/3673; A63B
 2069/367; A63B 69/3652
 See application file for complete search history.

(56) **References Cited**
 U.S. PATENT DOCUMENTS

4,917,385 A * 4/1990 Brown A63B 69/3667
 473/273
 5,005,837 A * 4/1991 Urra Martinez ... A63B 69/3652
 473/279
 D328,937 S * 8/1992 Becella D21/792
 5,308,075 A * 5/1994 Theriault A63B 69/3652
 29/773
 5,340,111 A * 8/1994 Froelich A63B 69/3652
 108/7
 5,467,977 A * 11/1995 Beck A63B 69/0013
 473/497
 5,470,074 A * 11/1995 Hotchkiss A63B 69/3652
 473/279
 5,527,042 A * 6/1996 Spriddle A63B 69/3652
 473/279
 5,683,306 A * 11/1997 Tait A63B 69/3652
 473/279
 5,779,557 A * 7/1998 Scannell A63B 69/3667
 473/269
 5,976,027 A * 11/1999 Kachmar A63B 69/3667
 473/273

6,001,026 A * 12/1999 Breneman A63B 69/3623
 473/261
 6,033,317 A * 3/2000 Beam A63B 69/3652
 473/279
 6,623,373 B2 * 9/2003 Carlton A63B 69/3652
 273/DIG. 13
 D491,246 S * 6/2004 Walsh D21/791
 D557,366 S * 12/2007 Witt D21/791
 7,758,444 B2 * 7/2010 Crossley A63B 69/3652
 473/279
 7,901,304 B1 * 3/2011 Moore A63B 69/3673
 473/160
 7,938,734 B2 * 5/2011 Dsouza A63B 69/3652
 473/161
 8,506,416 B1 * 8/2013 Radel, Sr. A63B 69/3652
 473/278
 D728,719 S * 5/2015 Starrs D21/791
 D777,864 S * 1/2017 Shirakawa D21/791
 2002/0111225 A1 * 8/2002 Sobol A63B 24/0021
 473/278
 2002/0128084 A1 * 9/2002 Lee A63B 57/0006
 473/132
 2004/0082399 A1 * 4/2004 Shioda A63B 69/3673
 473/270
 2004/0142759 A1 * 7/2004 Gianfagna A63B 69/3652
 473/278
 2005/0090325 A1 * 4/2005 Jong A63B 69/3652
 473/279
 2005/0113182 A1 * 5/2005 Kim A63B 69/3652
 473/279

* cited by examiner

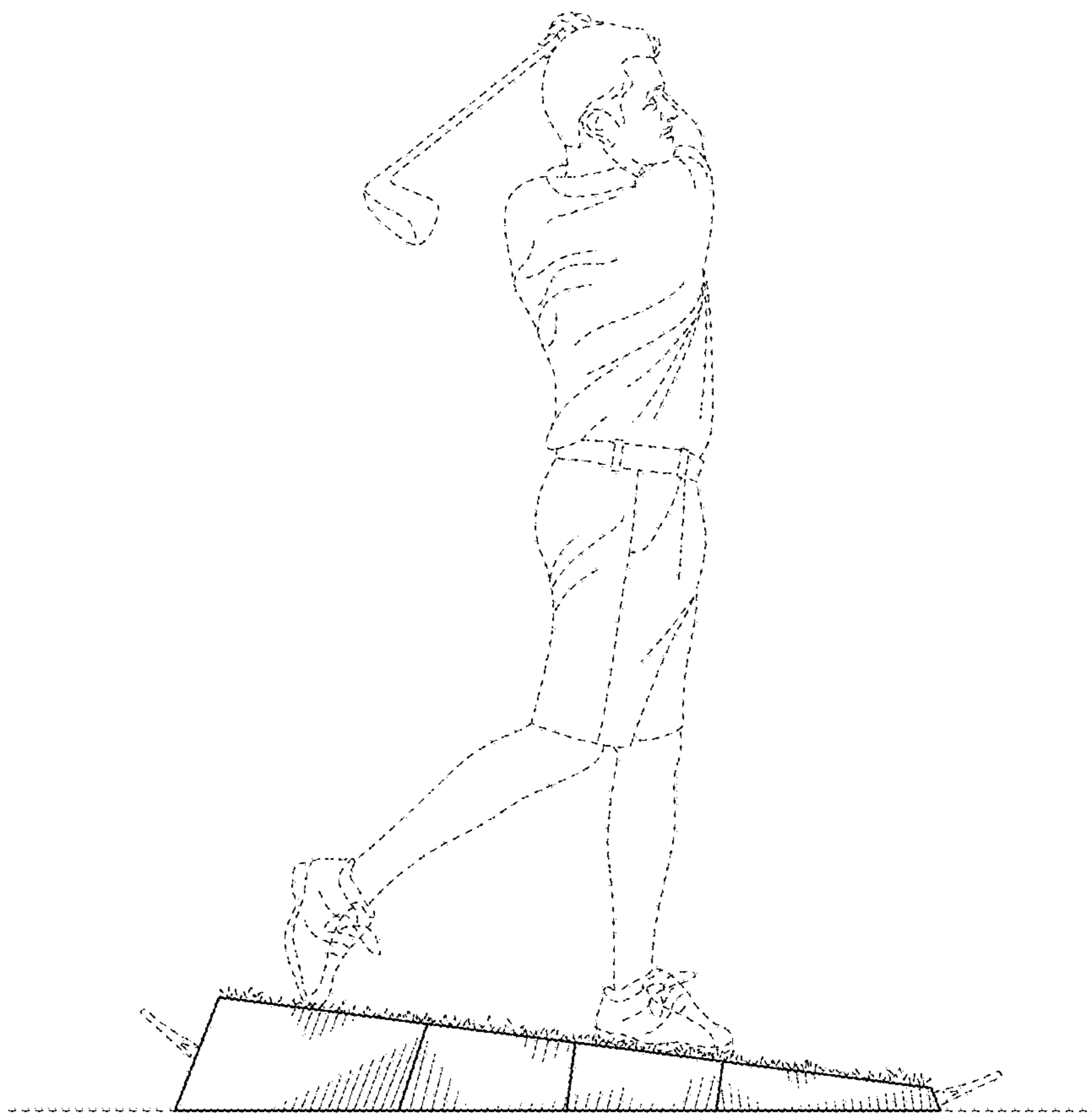


FIG. 1

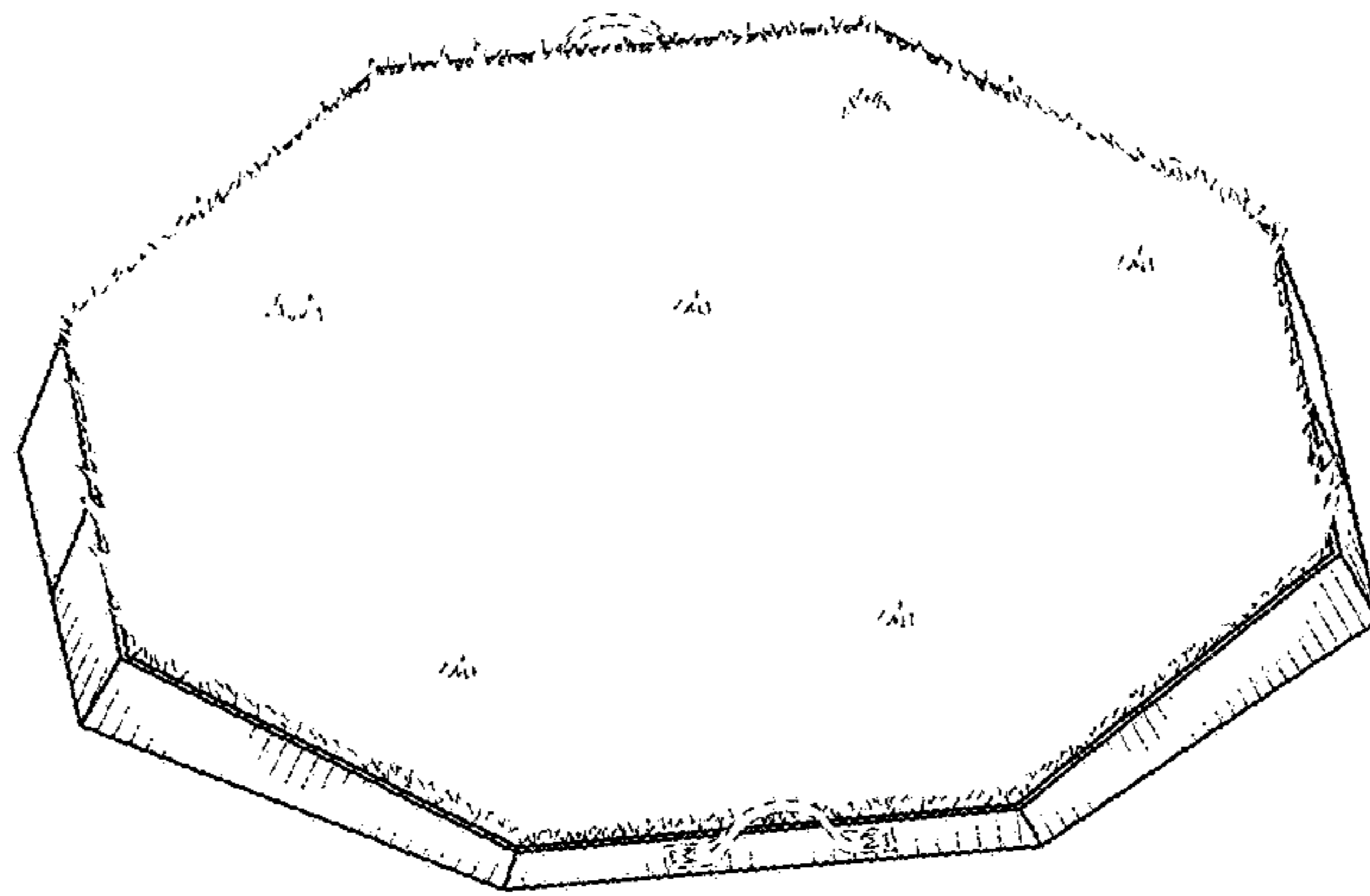


FIG. 2

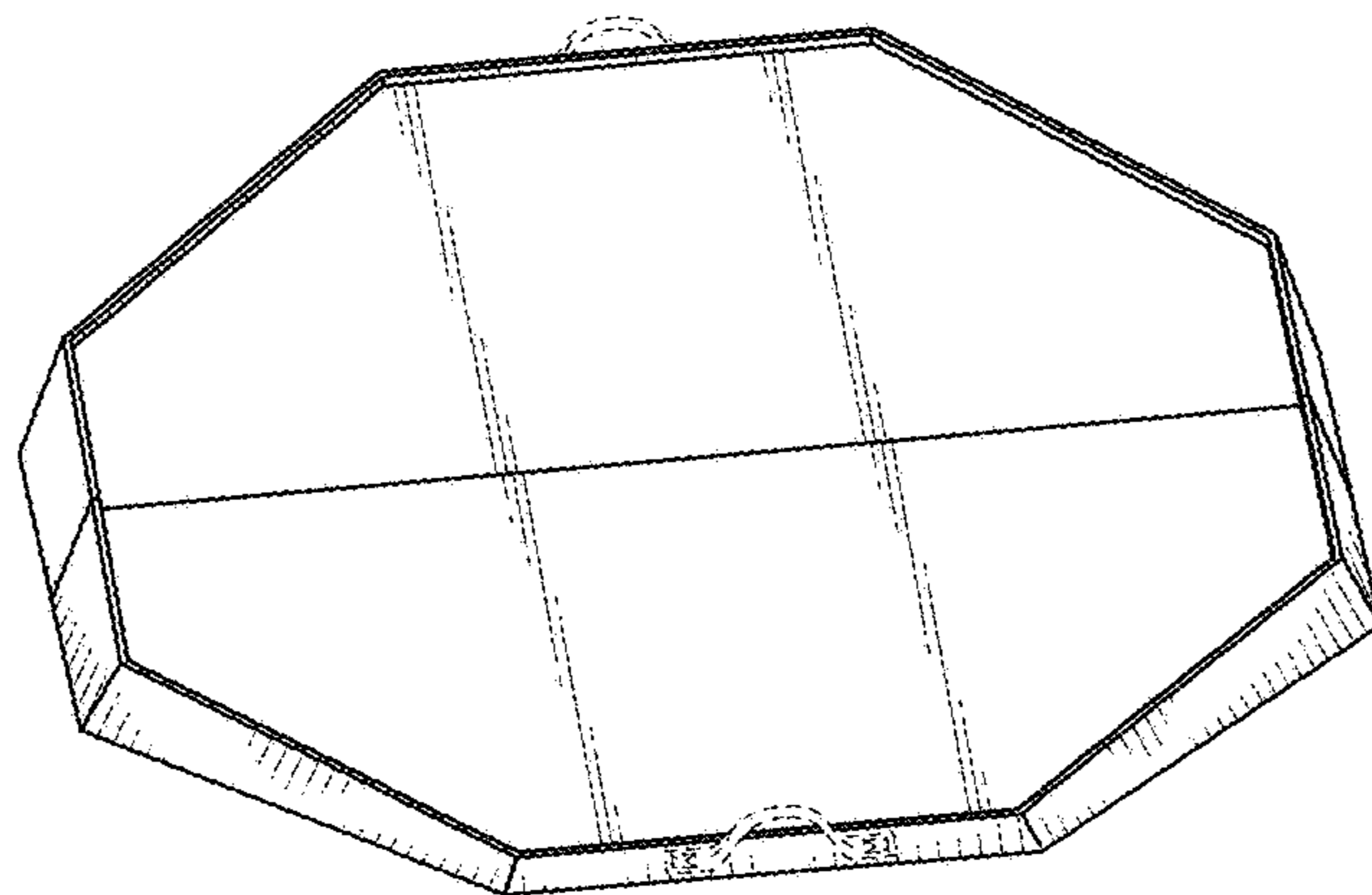
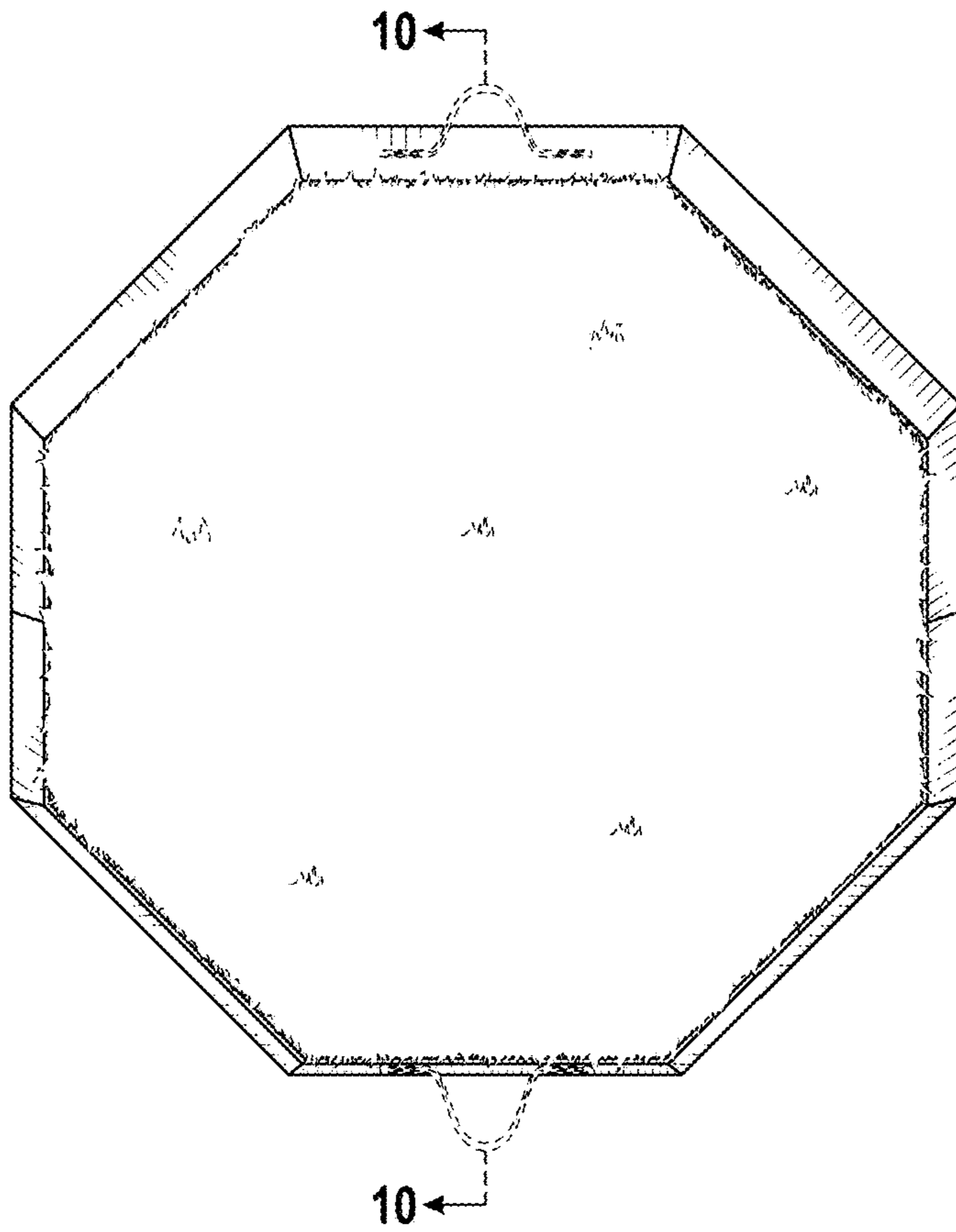


FIG. 3



10
FIG. 4

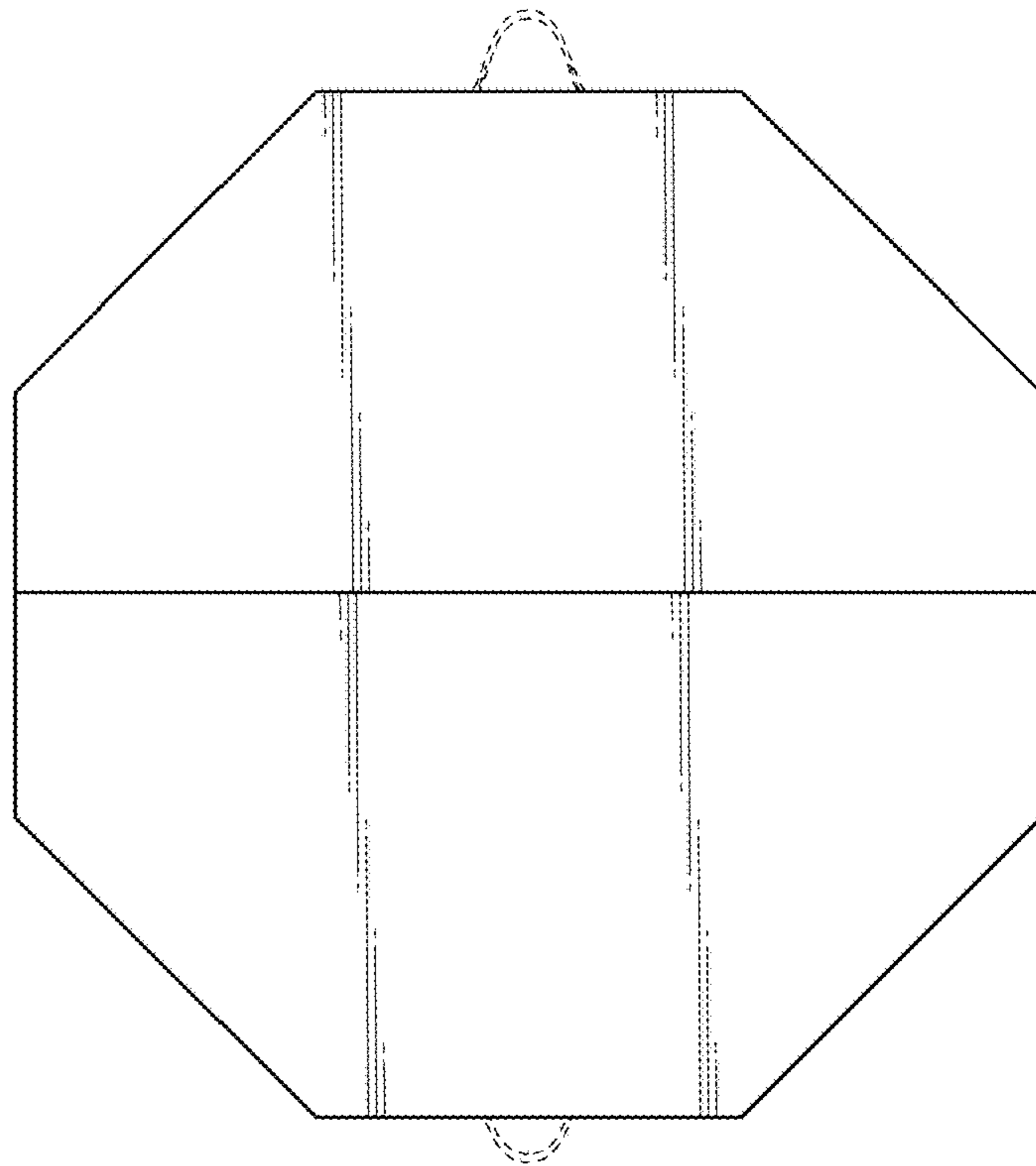


FIG. 5

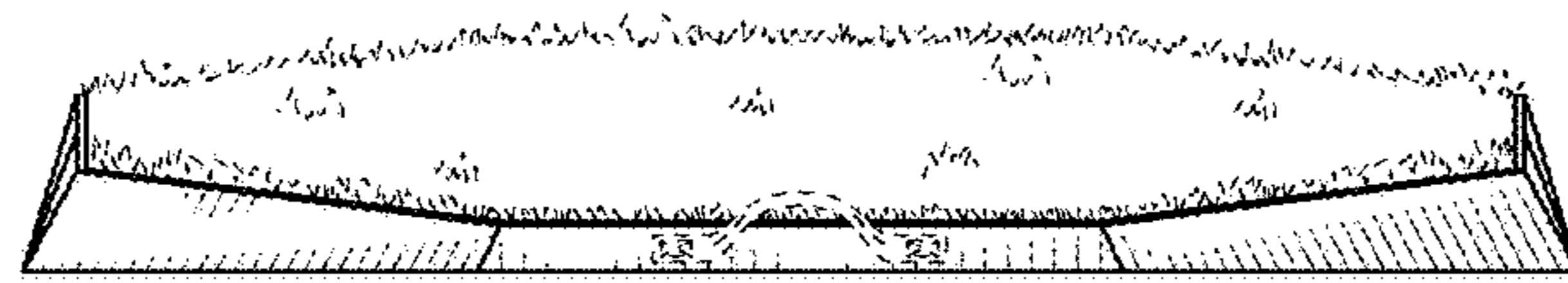


FIG. 6

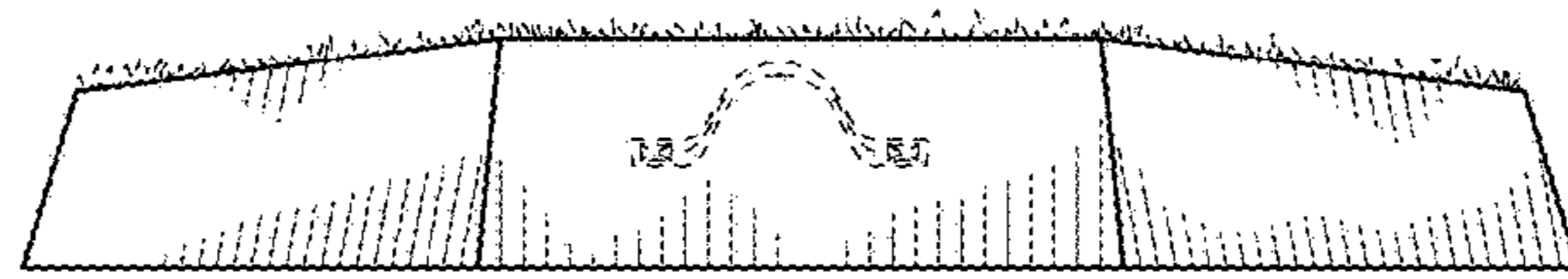


FIG. 7

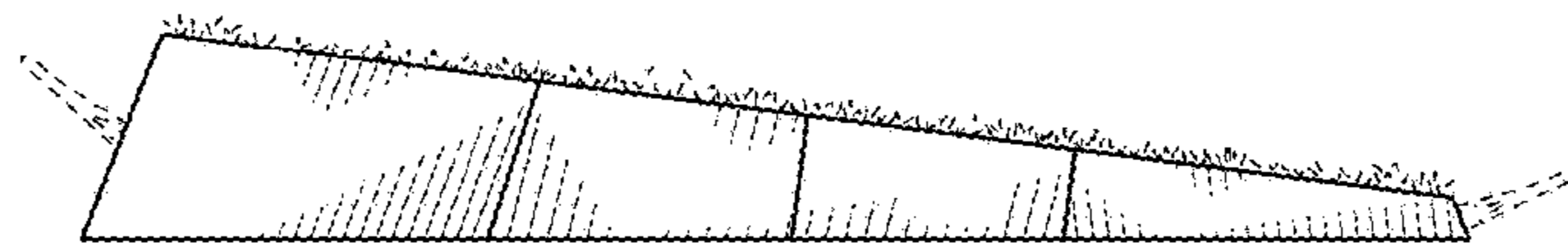


FIG. 8

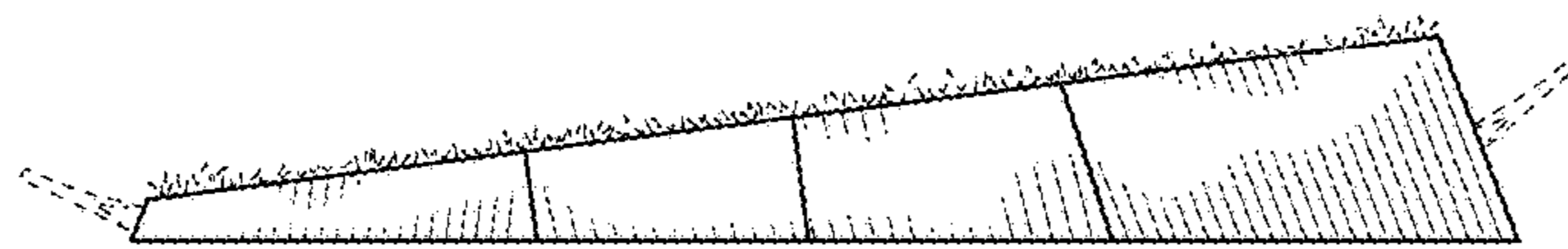


FIG. 9

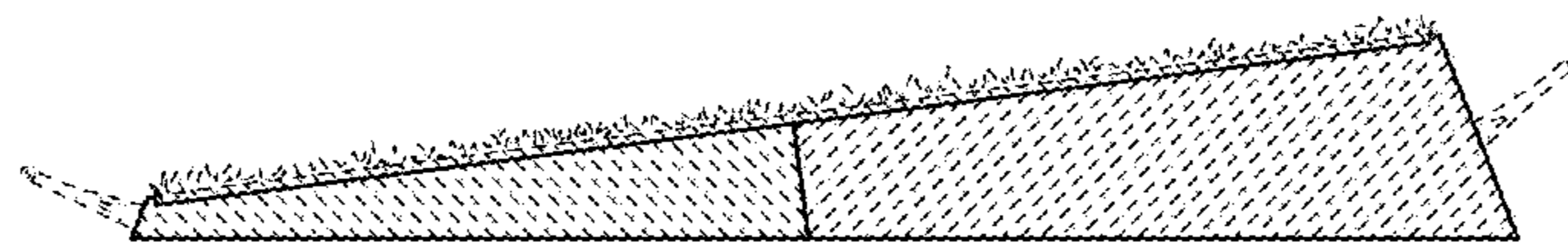


FIG. 10

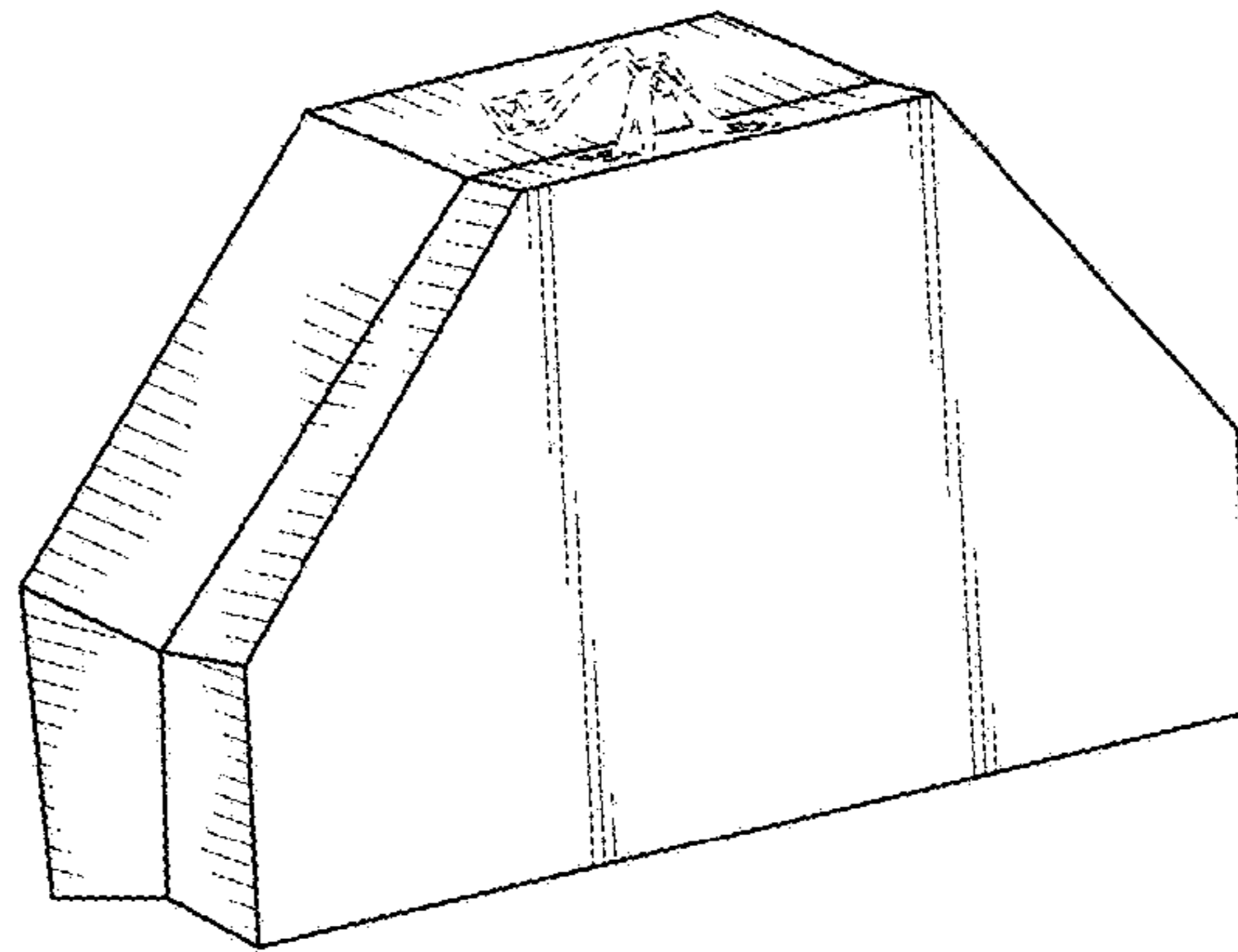


FIG. 11

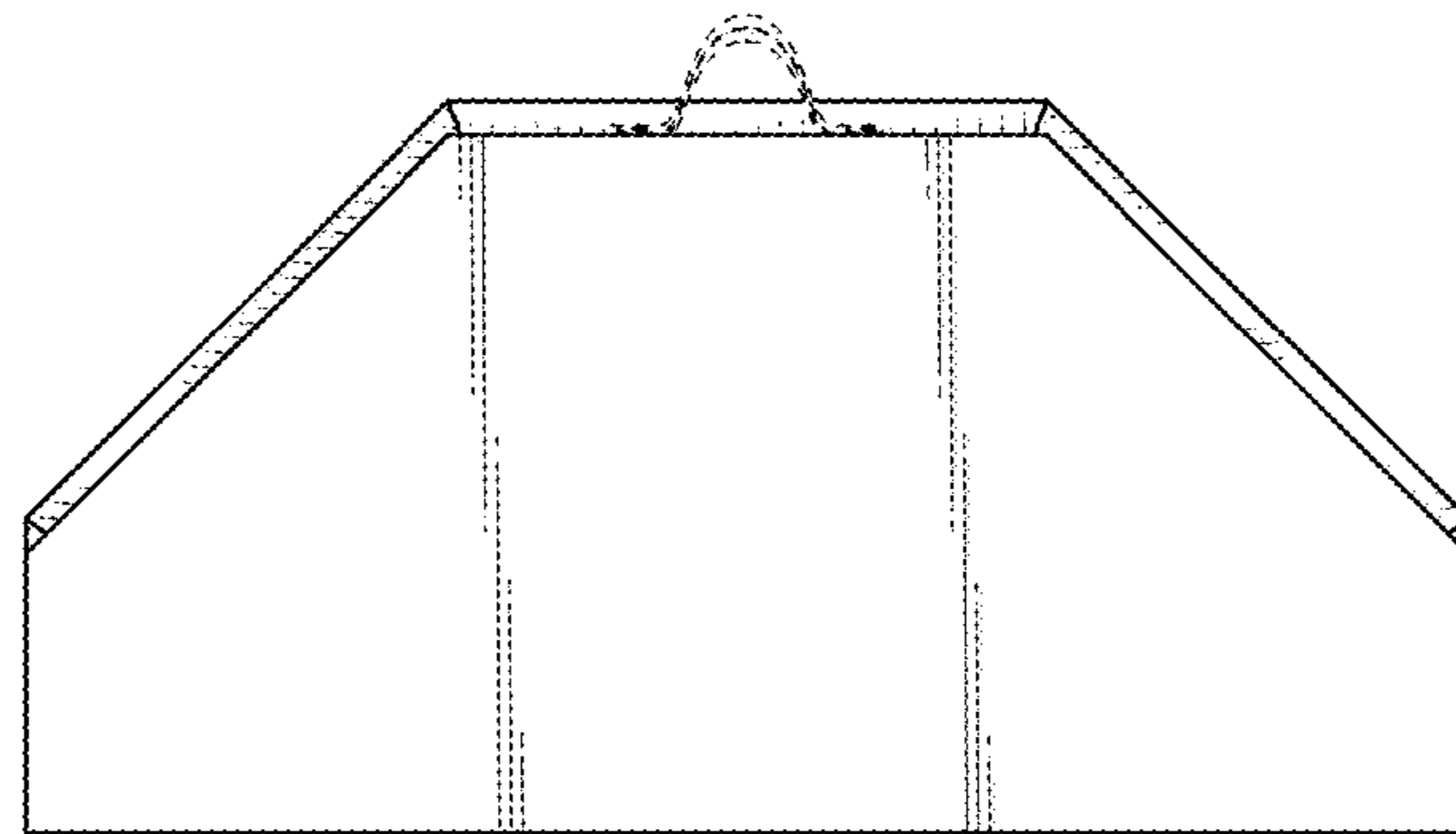


FIG. 12

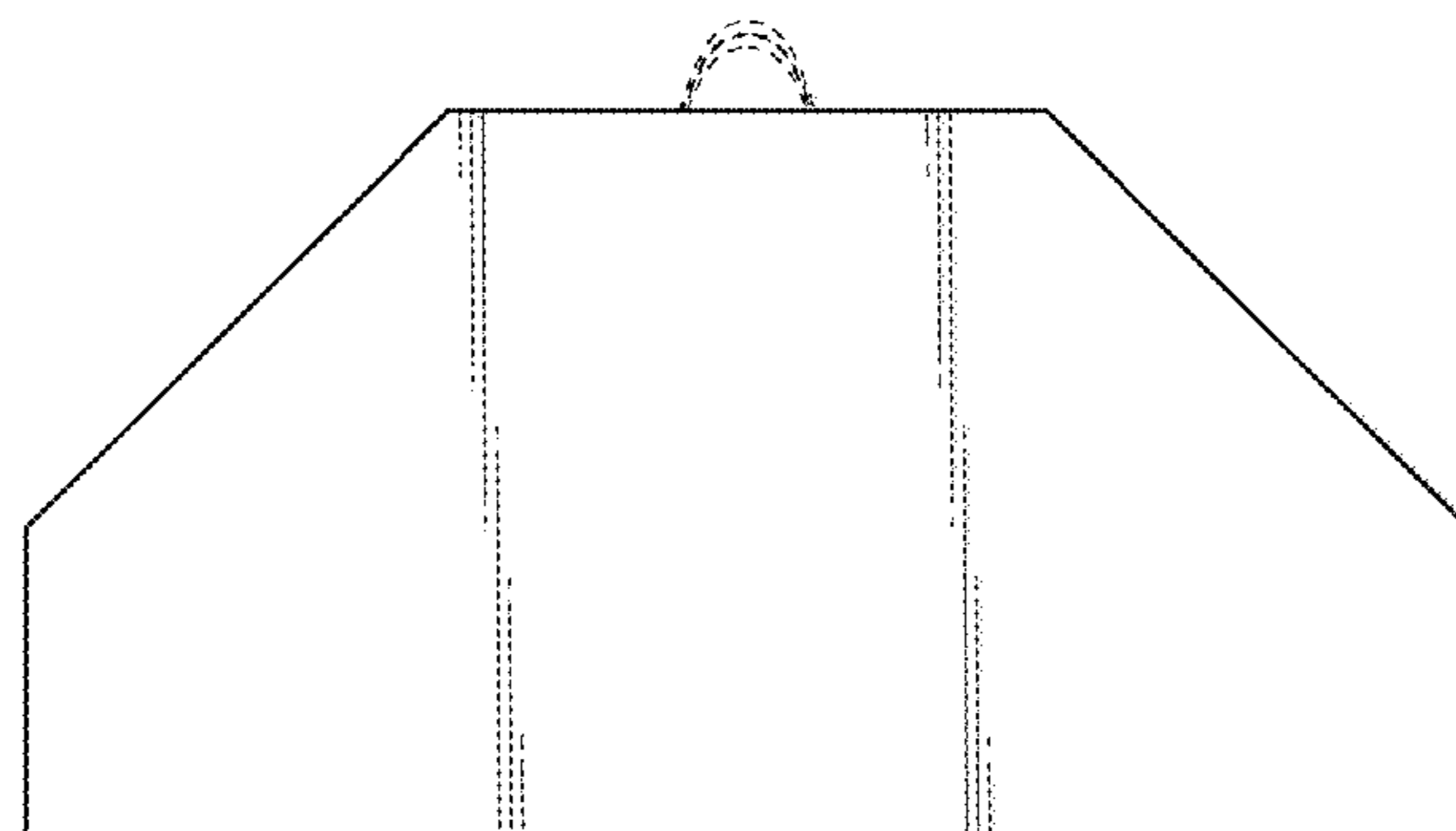


FIG. 13

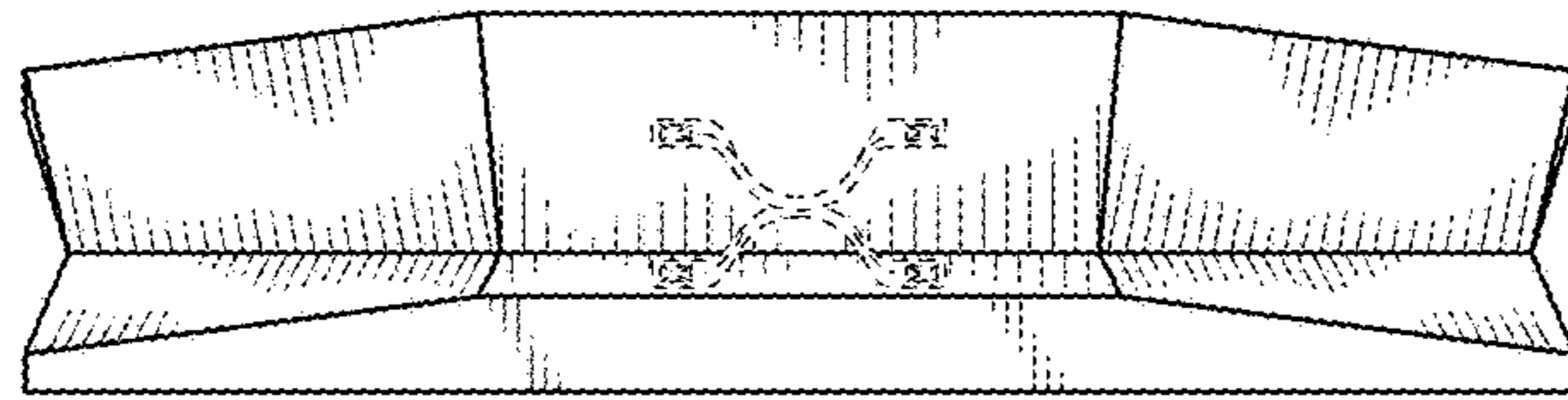


FIG. 14

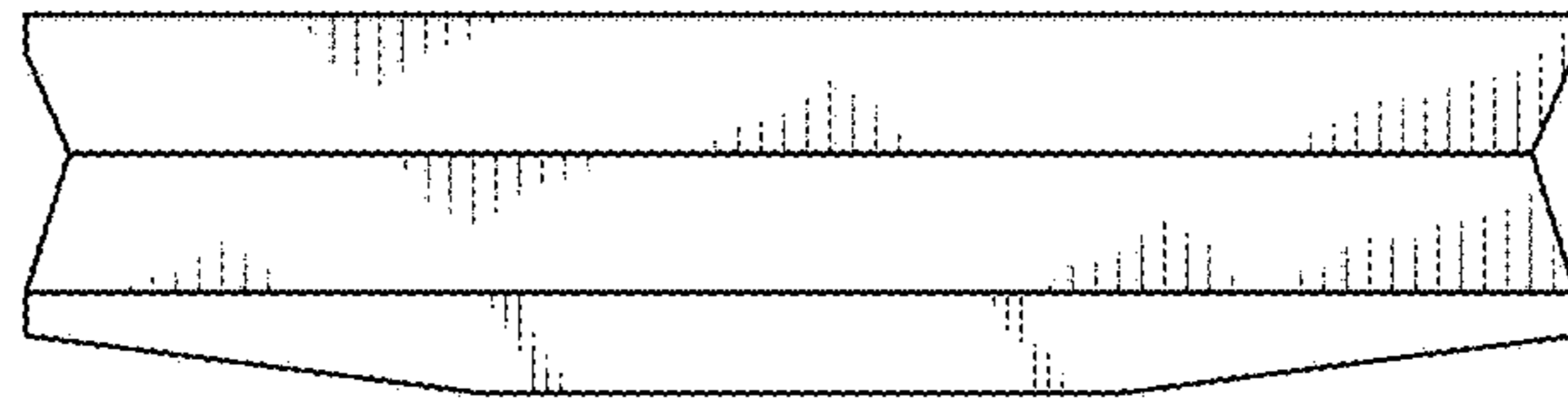


FIG. 15

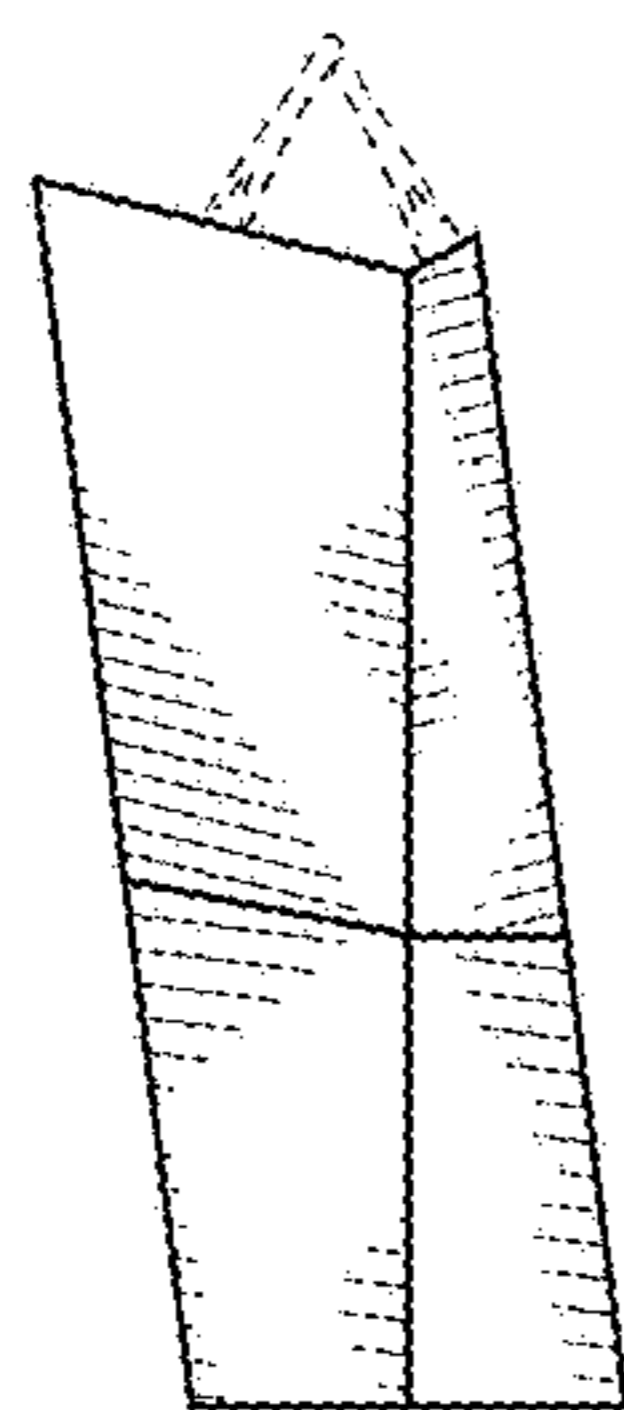


FIG. 16

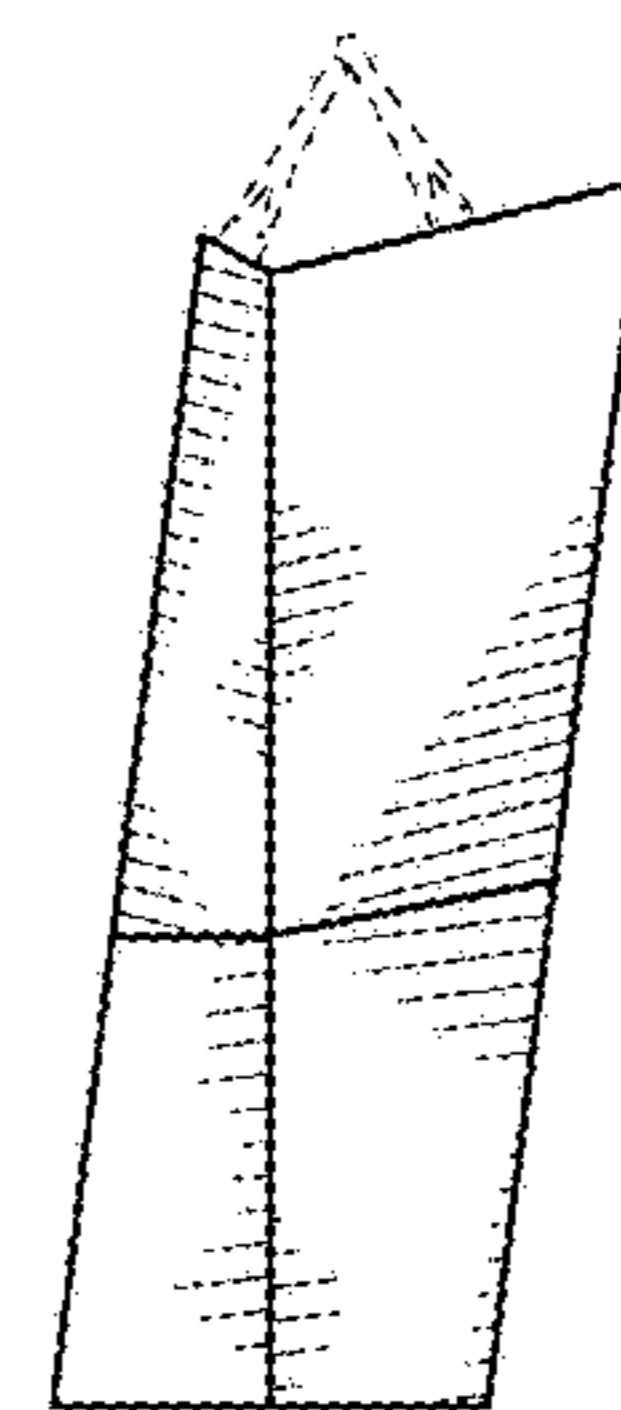


FIG. 17