



US00D855721S

(12) **United States Design Patent** (10) **Patent No.:** **US D855,721 S**  
**Bentsen et al.** (45) **Date of Patent:** **\*\* \*Aug. 6, 2019**

(54) **EXERCISE APPARATUS**

(71) Applicant: **Kompan A/S**, Odense Sø (DK)

(72) Inventors: **Nikolaj Maj Bentsen**, Vejle Ø (DK);  
**Martin Nørgaard Johansen**, Skårup  
Fyn (DK)

(73) Assignee: **KOMPAN A/S**, Odense Sø (DK)

(\*) Notice: This patent is subject to a terminal disclaimer.

(\*\*) Term: **15 Years**

(21) Appl. No.: **29/631,256**

(22) Filed: **Dec. 28, 2017**

**Related U.S. Application Data**

(63) Continuation of application No. 35/500,802, filed on Mar. 1, 2016 (U.S. filing date under 35 U.S.C. 384), and having an international filing date of Mar. 1, 2016, now Pat. No. Des. 806,817.

(30) **Foreign Application Priority Data**

Sep. 2, 2015 (EM) ..... 002764803

(51) **LOC (12) Cl.** ..... **21-02**

(52) **U.S. Cl.**  
USPC ..... **D21/691**

(58) **Field of Classification Search**  
USPC ..... D21/671, 787, 798, 826, 694, 692, 691,  
D21/690, 688, 687, 686, 684, 679, 673,  
D21/662; 482/91, 8, 44, 24, 140, 139,  
482/131, 130, 129, 128, 127, 126, 125,  
482/124, 123, 122, 121, 115, 112, 103,  
(Continued)

(56) **References Cited**

U.S. PATENT DOCUMENTS

D187,138 S 2/1960 Highberger  
D274,539 S \* 7/1984 Bankier ..... D21/679  
(Continued)

*Primary Examiner* — Ryan Harvey  
(74) *Attorney, Agent, or Firm* — Polson Intellectual  
Property Law, PC; Margaret Polson

(57) **CLAIM**

The ornamental design for an exercising apparatus, as shown and described.

**DESCRIPTION**

FIG. 1 is a top, left perspective view of our new design for an exercising apparatus.

FIG. 2 is a top, left perspective view of the exercise apparatus of FIG. 1. with exemplar exercising apparatus attached, which is disclaimed. All surfaces other than the disclaimed matter are identical with the embodiment of FIG. 1.

FIG. 3 is a top, left perspective view of FIG. 1. with exemplar exercising apparatus attached, which is disclaimed. All surfaces other than the disclaimed matter are identical with the embodiment of FIG. 1.

FIG. 4 is a left side elevation view of FIG. 3.

FIG. 5 is a back side elevation view of FIG. 3.

FIG. 6 is a right side elevation view of FIG. 3.

FIG. 7 is a front elevation view of FIG. 3.

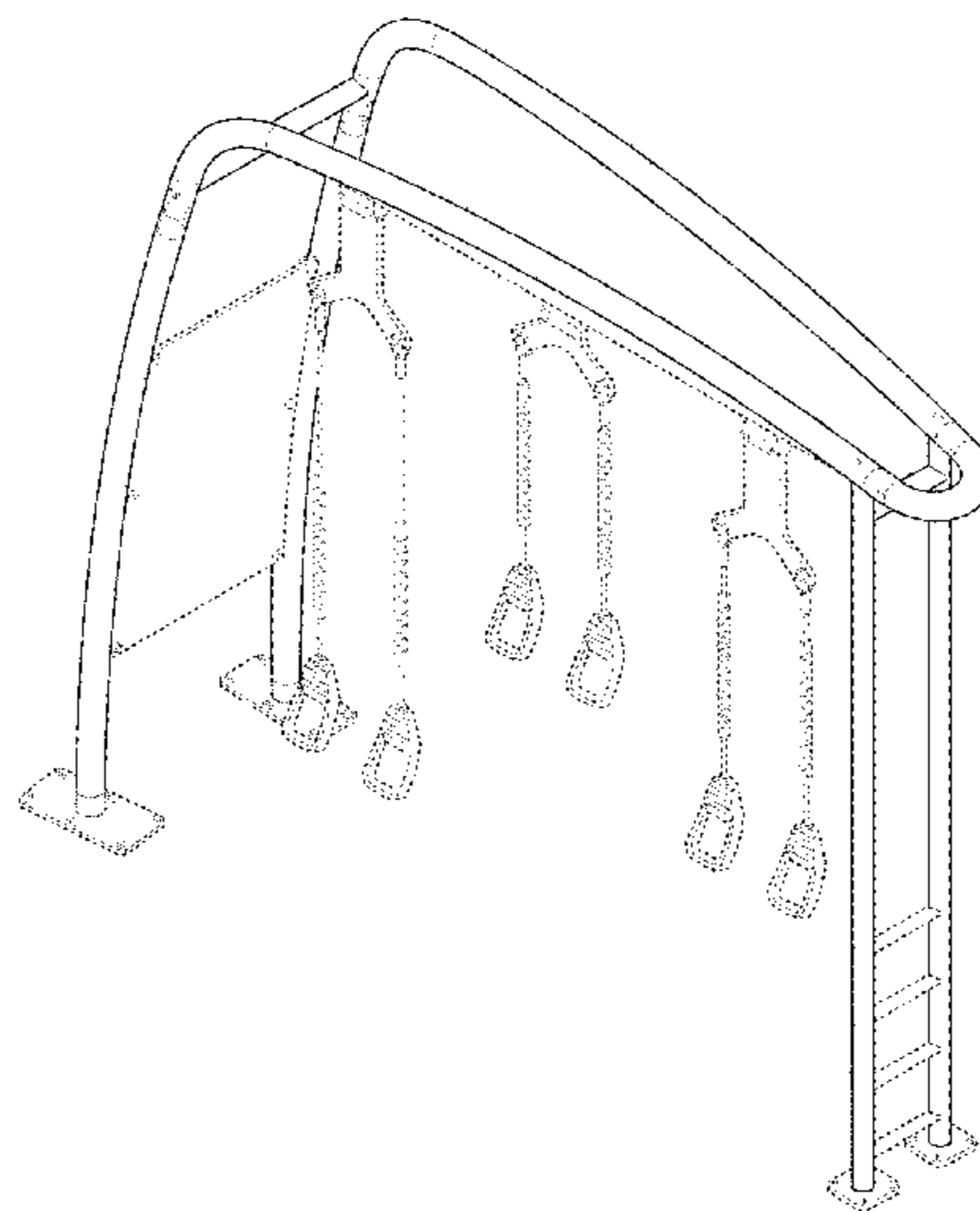
FIG. 8 is a top plan view of FIG. 3.

FIG. 9 is a bottom plan view of FIG. 3; and,

FIG. 10 is a top, left perspective view of the exercise apparatus of FIG. 1. with exemplar exercising apparatus attached, which is disclaimed. All surfaces other than the disclaimed matter are identical with the embodiment of FIG. 1.

The broken lines are included for the purpose of illustrating disclaimed subject matter and form no part of the claimed design.

**1 Claim, 10 Drawing Sheets**



(58) **Field of Classification Search**

USPC ..... 482/87, 90, 83, 138; 473/428, 426, 483;  
368/10; 135/140  
CPC ..... A63B 21/0552; A63B 21/4035; A63B  
21/0557; A63B 21/0442; A63B 21/00069;  
A63B 21/4043; A63B 2208/0233; A63B  
21/04; A63B 21/1609; A63B 21/154;  
A63B 21/00043; A63B 2023/006; A63B  
21/00185; A63B 21/1663

See application file for complete search history.

(56) **References Cited**

U.S. PATENT DOCUMENTS

4,779,867 A \* 10/1988 Hinds ..... A63B 21/0552  
482/122  
5,040,791 A \* 8/1991 Ratajac ..... A63B 69/0084  
473/426  
D472,965 S 4/2003 Koler  
6,685,600 B1 \* 2/2004 Ullman ..... A63B 21/156  
482/100  
D615,607 S 5/2010 Hwang  
D628,668 S 12/2010 Kilgriff  
8,113,992 B2 2/2012 Koehler  
D731,611 S 6/2015 Klein  
9,675,829 B1 \* 6/2017 Katz ..... A63B 1/00  
D806,817 S 1/2018 Bentsen  
D816,173 S \* 4/2018 Jackson ..... D21/691  
2005/0130814 A1 \* 6/2005 Nitta ..... A63B 1/00  
482/121  
2012/0085380 A1 \* 4/2012 Buckley ..... B63B 17/02  
135/140  
2012/0329620 A1 \* 12/2012 White ..... A63B 21/151  
482/131  
2017/0072260 A1 \* 3/2017 Jackson ..... A63B 23/1218

\* cited by examiner

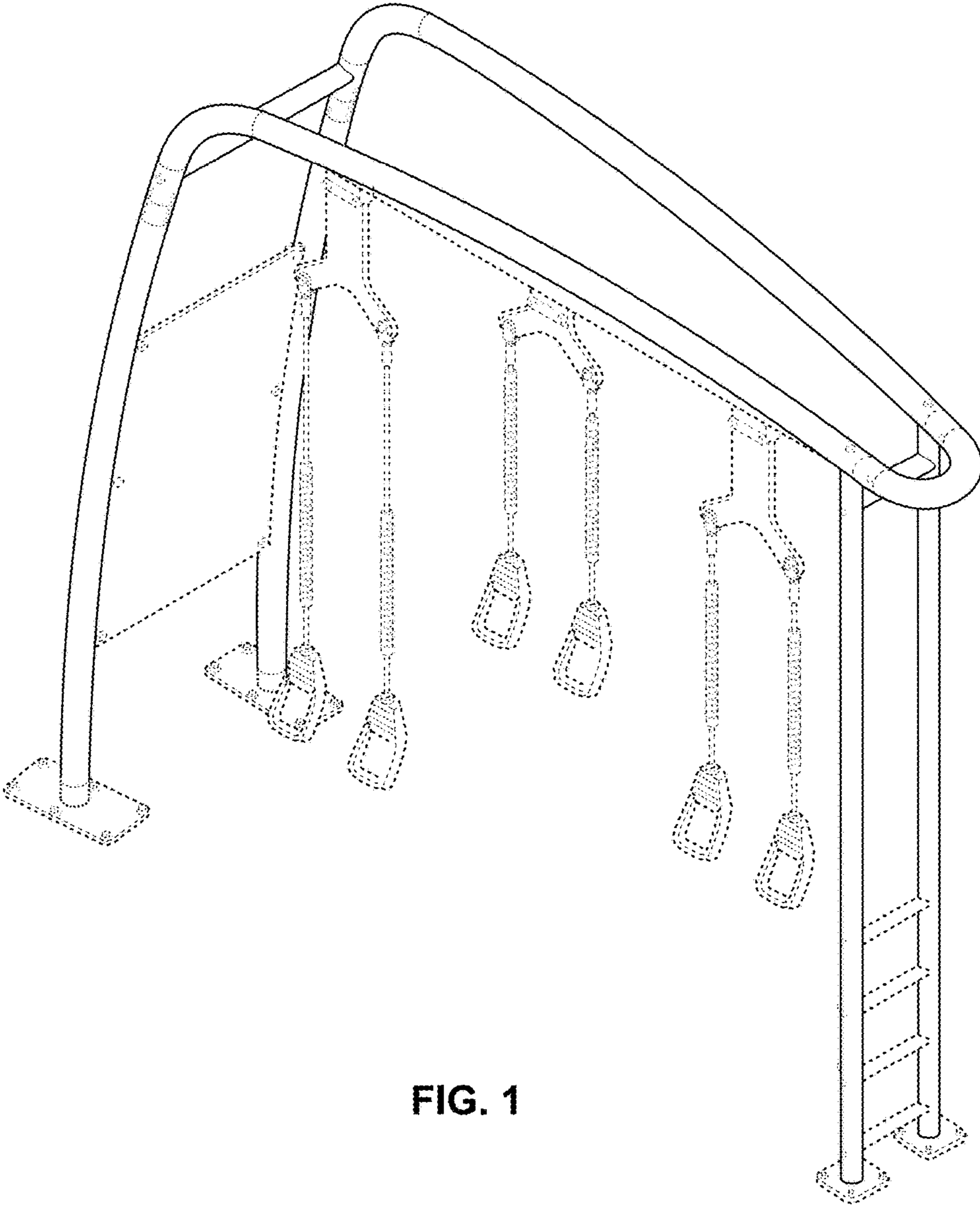


FIG. 1

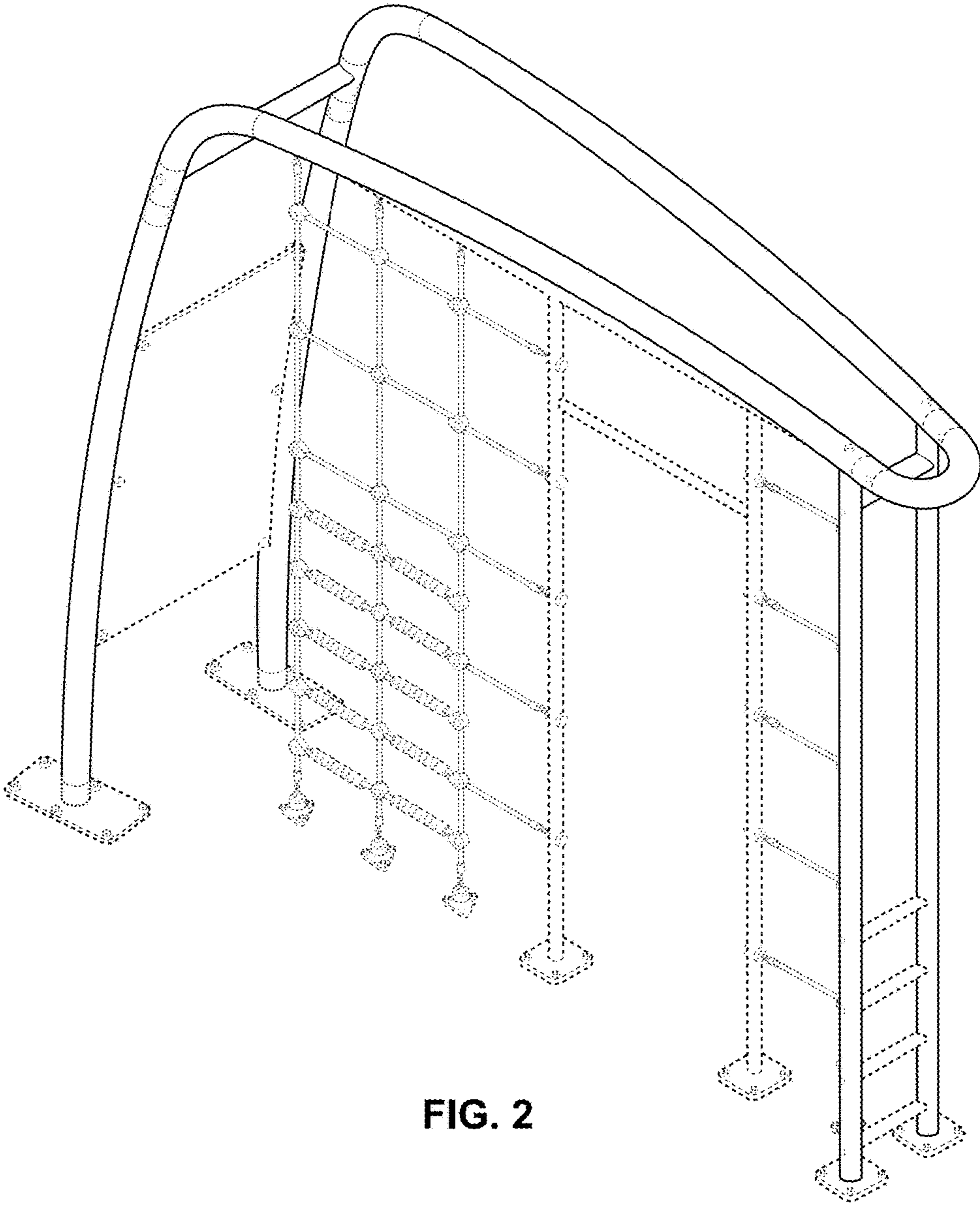


FIG. 2

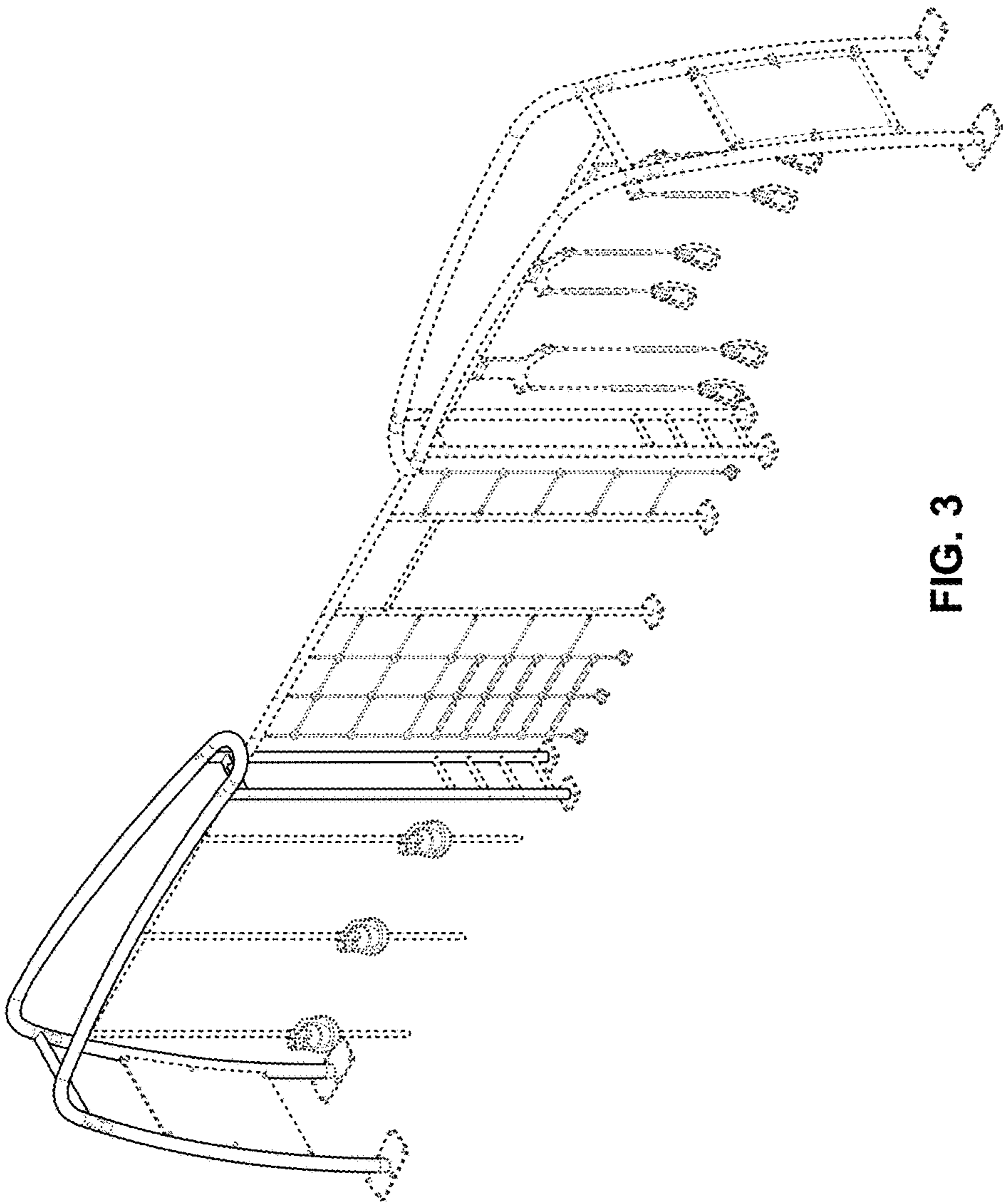


FIG. 3

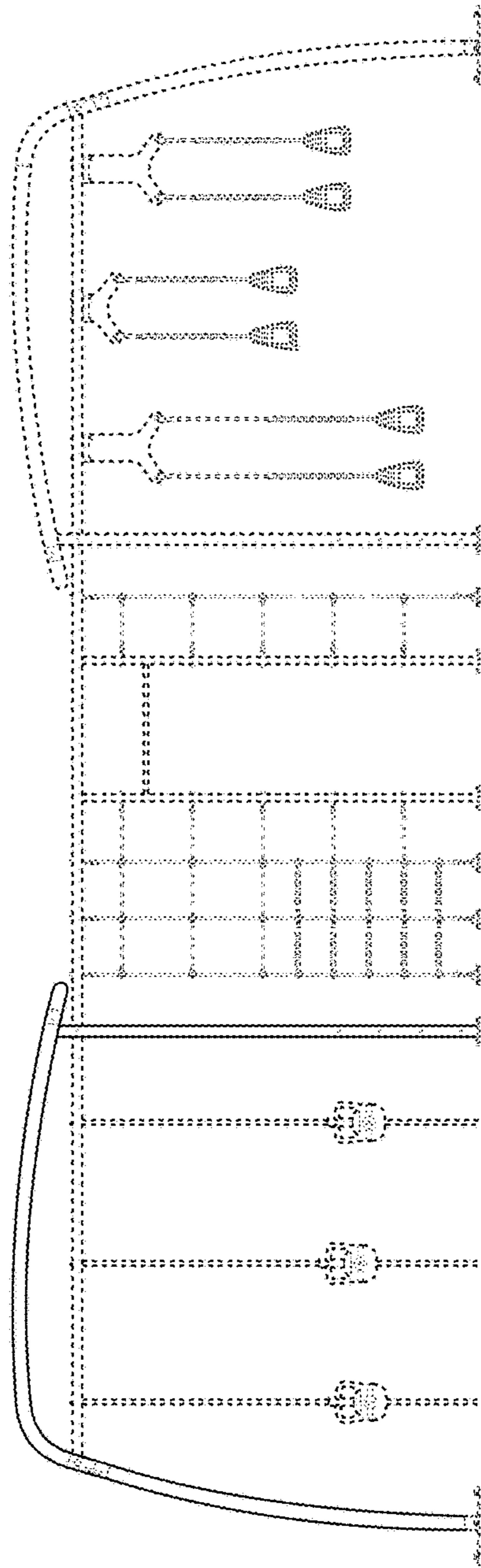


FIG. 4

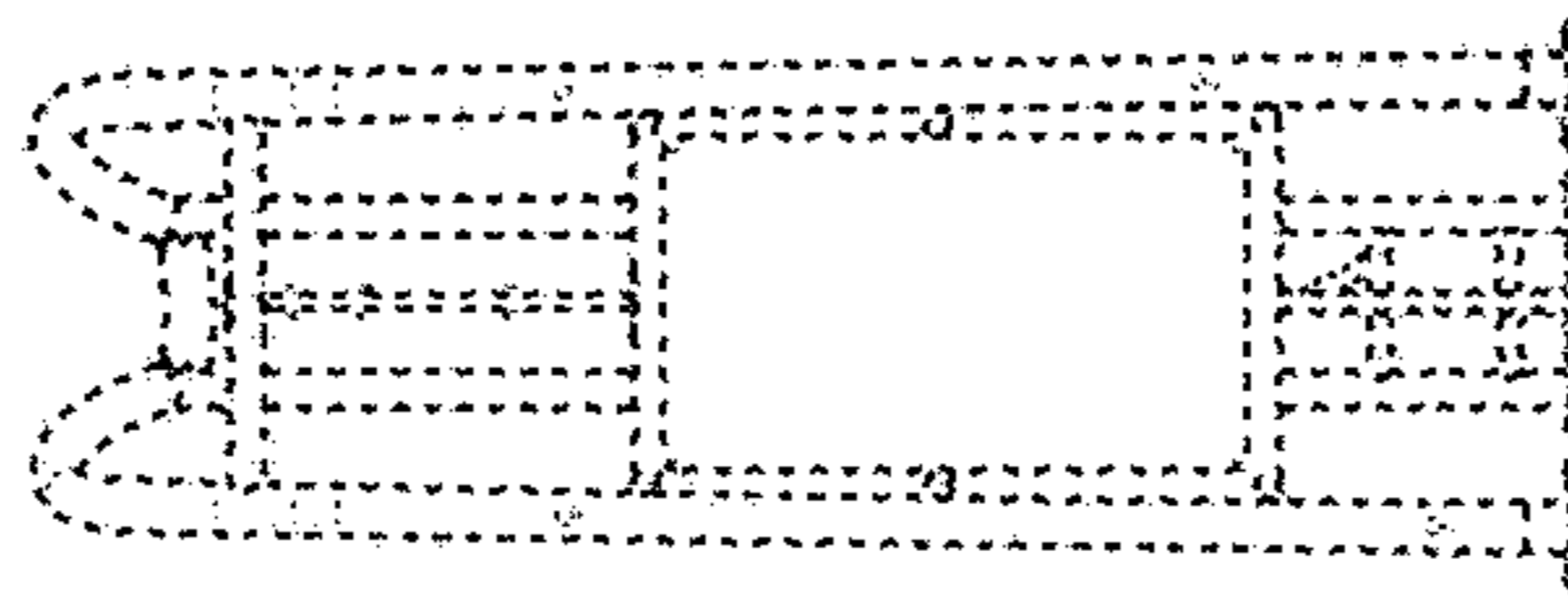


FIG. 5

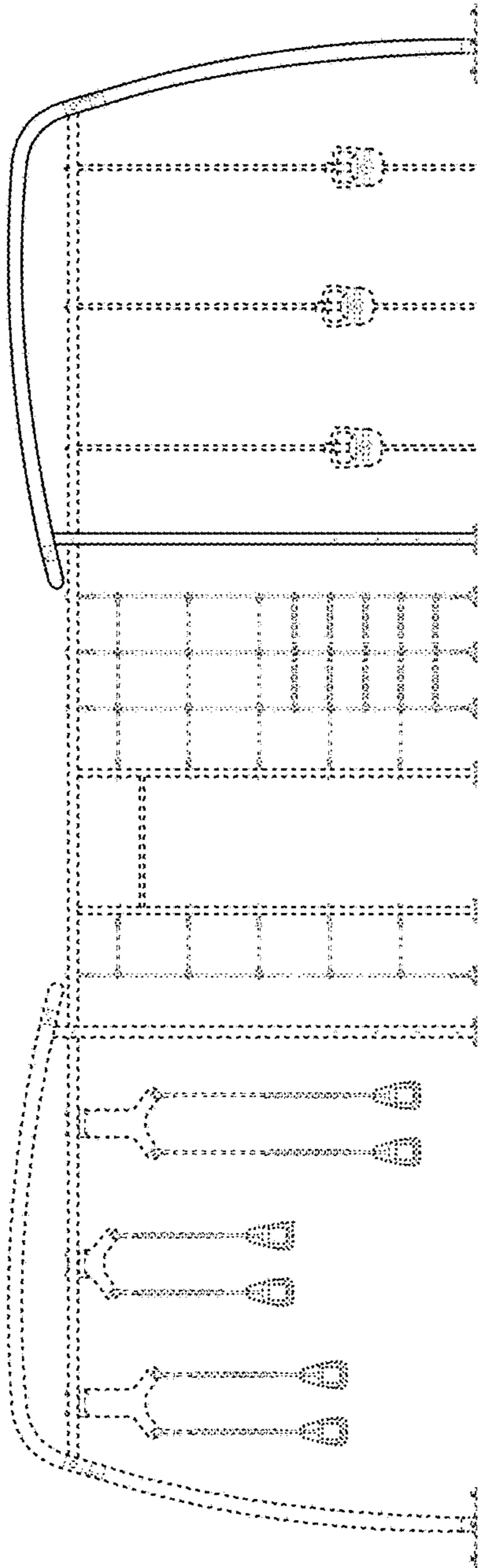


FIG. 6



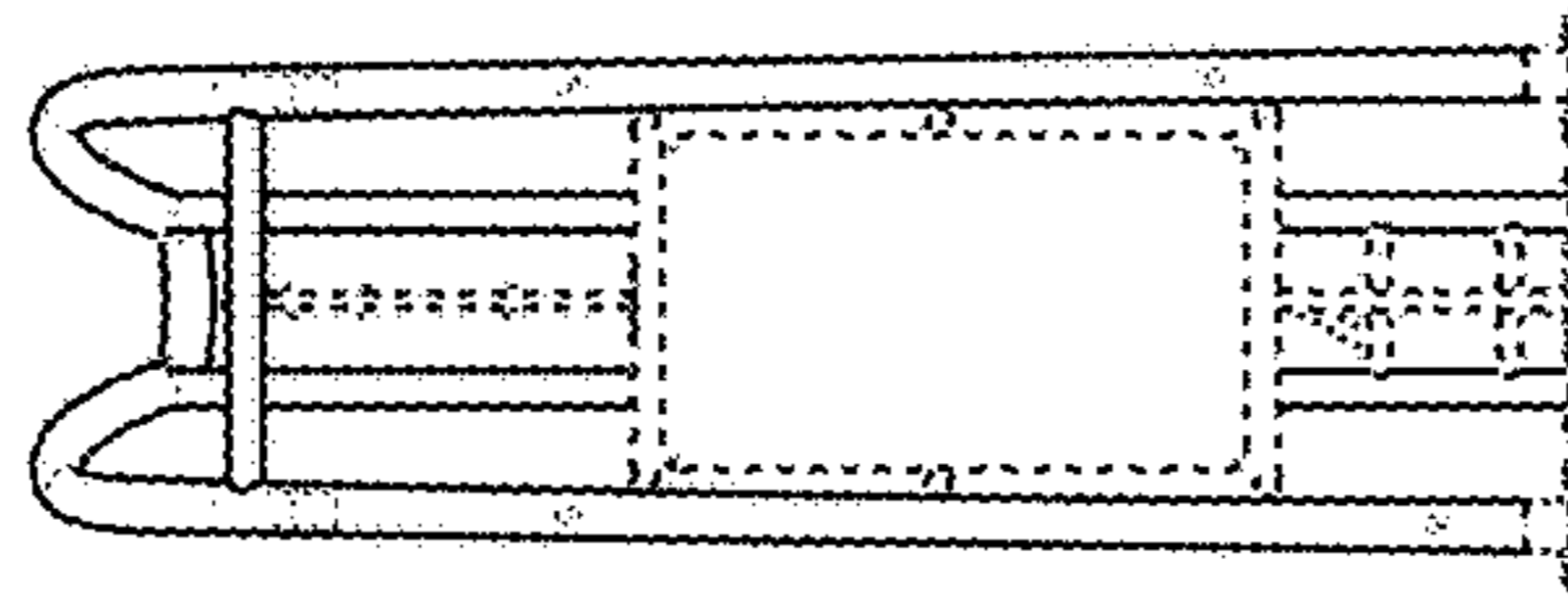


FIG. 7

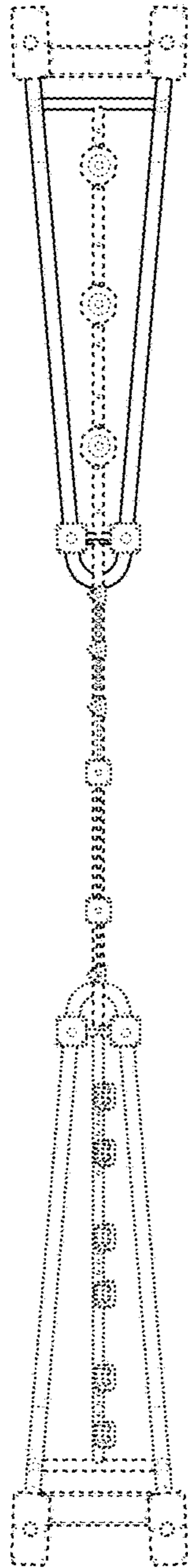


FIG. 8

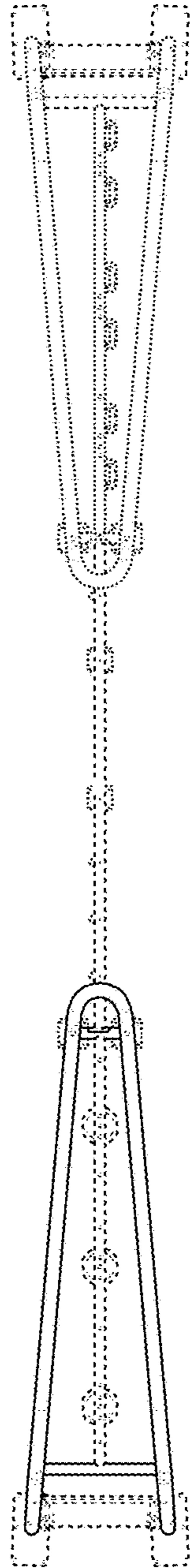


FIG. 9

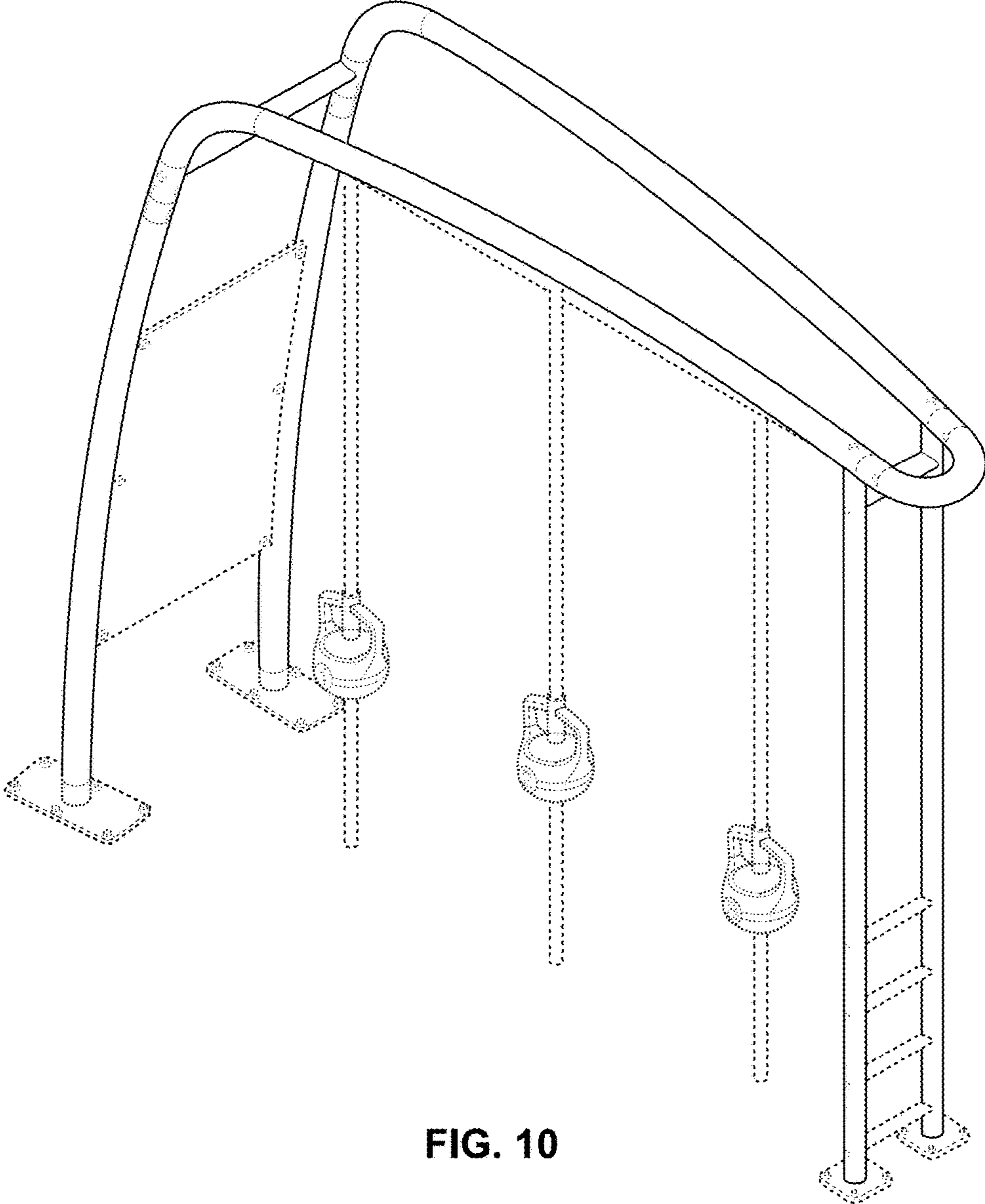


FIG. 10