



US00D855720S

(12) **United States Design Patent** (10) **Patent No.:** **US D855,720 S**
Kuka (45) **Date of Patent:** **** Aug. 6, 2019**

(54) **TRAINING BAG STAND**
(71) Applicant: **Move Strong Functional Fitness Equipment LLC**, Chattanooga, TN (US)
(72) Inventor: **Jared Kuka**, Chattanooga, TN (US)
(73) Assignee: **MoveStrong Functional Fitness Equipment, LLC**, Charleston, SC (US)

4,482,150 A * 11/1984 Levine A63B 69/201 482/90
4,557,478 A * 12/1985 Levine A63B 69/201 482/89
D291,339 S * 8/1987 Charles D21/787
5,050,866 A * 9/1991 Fucci A63B 69/205 473/483
D335,513 S * 5/1993 Gaetano D21/787
D362,477 S * 9/1995 Bluestein D21/671
5,556,369 A * 9/1996 Roberts A63B 17/00 482/131
D386,448 S * 11/1997 Vidal D11/131

(**) Term: **15 Years**

(21) Appl. No.: **29/598,491**

(22) Filed: **Mar. 27, 2017**

(51) **LOC (12) Cl.** **21-02**

(52) **U.S. Cl.**
USPC **D21/686**

(58) **Field of Classification Search**
USPC D21/671, 787, 798, 826, 694, 692, 691, D21/690, 688, 687, 686, 684, 679, 673, D21/662; 482/91, 8, 44, 24, 140, 139, 482/131, 130, 129, 128, 127, 126, 125, 482/124, 123, 122, 121, 115, 112, 103, 482/87, 90, 83, 138; 473/428, 426, 483; 368/10; 135/140
CPC A63B 21/0552; A63B 21/4035; A63B 21/0557; A63B 21/0442; A63B 21/00069; A63B 21/4043; A63B 2208/0233; A63B 21/04; A63B 21/1609; A63B 21/154; A63B 21/00043; A63B 2023/006; A63B 21/00185; A63B 21/1663
See application file for complete search history.

(56) **References Cited**

U.S. PATENT DOCUMENTS

741,966 A * 10/1903 Hershheim A63B 21/0552 482/125
4,403,772 A * 9/1983 Stangle A63B 17/00 482/83

Primary Examiner — Ryan Harvey

(74) *Attorney, Agent, or Firm* — Patterson Intellectual Property Law, P.C.; Ryan D. Levy

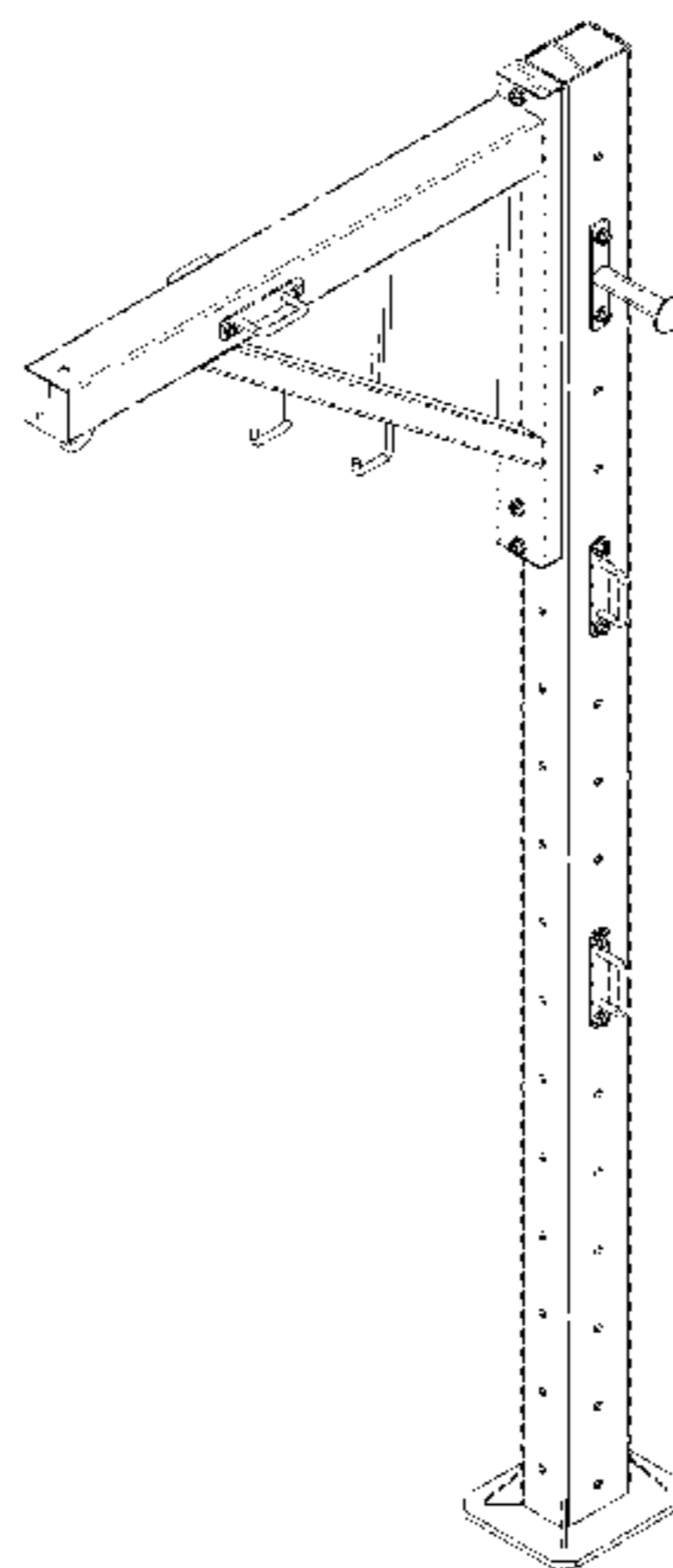
(57) **CLAIM**

What is claimed is the ornamental design for a training bag stand, as shown and described.

DESCRIPTION

FIG. 1 is a front perspective view showing the training bag stand of Applicant's invention.
FIG. 2 is a lower perspective view of the training bag stand of Applicant's invention.
FIG. 3 is a side view of the training bag stand of Applicant's invention.
FIG. 4 is a side view of the training bag stand of Applicant's invention.
FIG. 5 is a front view of the training bag stand of Applicant's invention.
FIG. 6 is a rear view of the training bag stand of Applicant's invention.
FIG. 7 is a top view of the training bag stand of Applicant's invention; and,
FIG. 8 is a bottom view of the training bag stand of Applicant's invention.
The broken line showing of portions of the training bag stand depicts environment and forms no part of the claim.

1 Claim, 5 Drawing Sheets



(56)

References Cited

U.S. PATENT DOCUMENTS

5,823,898 A *	10/1998	Wang	A63B 71/023 473/483
6,090,018 A *	7/2000	Laudenslager	A63B 69/201 482/83
6,280,361 B1 *	8/2001	Harvey	A63B 21/025 482/101
6,514,161 B1 *	2/2003	Minniar	A63B 69/0002 473/423
D650,451 S *	12/2011	Olson	D21/662
8,485,951 B1 *	7/2013	Adams	A63B 21/04 224/403
8,690,742 B1 *	4/2014	Herman	A63B 21/169 482/129
9,028,381 B2 *	5/2015	Mestemaker	A63B 21/0414 482/129
9,050,493 B2 *	6/2015	Perez	A63B 21/0557
D767,692 S *	9/2016	Kuka	D21/686
D767,693 S *	9/2016	Kuka	D21/686
9,925,447 B2 *	3/2018	Hajnasr	A63B 69/205
10,076,437 B2 *	9/2018	Plath	A61F 5/3761
2003/0015633 A1 *	1/2003	Pyanowski	H01Q 1/12 248/146
2008/0220949 A1 *	9/2008	Yang	A63B 71/023 482/90
2009/0069161 A1 *	3/2009	Caldwell	A63B 21/00047 482/138
2010/0173759 A1 *	7/2010	Lalaoua	A63B 21/0552 482/121
2012/0309594 A1 *	12/2012	Hodges	A63B 69/201 482/87
2014/0038777 A1 *	2/2014	Bird	A63B 21/0058 482/5
2014/0148318 A1 *	5/2014	Sanders	A63B 21/169 482/131
2015/0290518 A1 *	10/2015	Hudson	A63B 69/201 482/90
2017/0106227 A1 *	4/2017	Lalaoua	A63B 21/4035

* cited by examiner

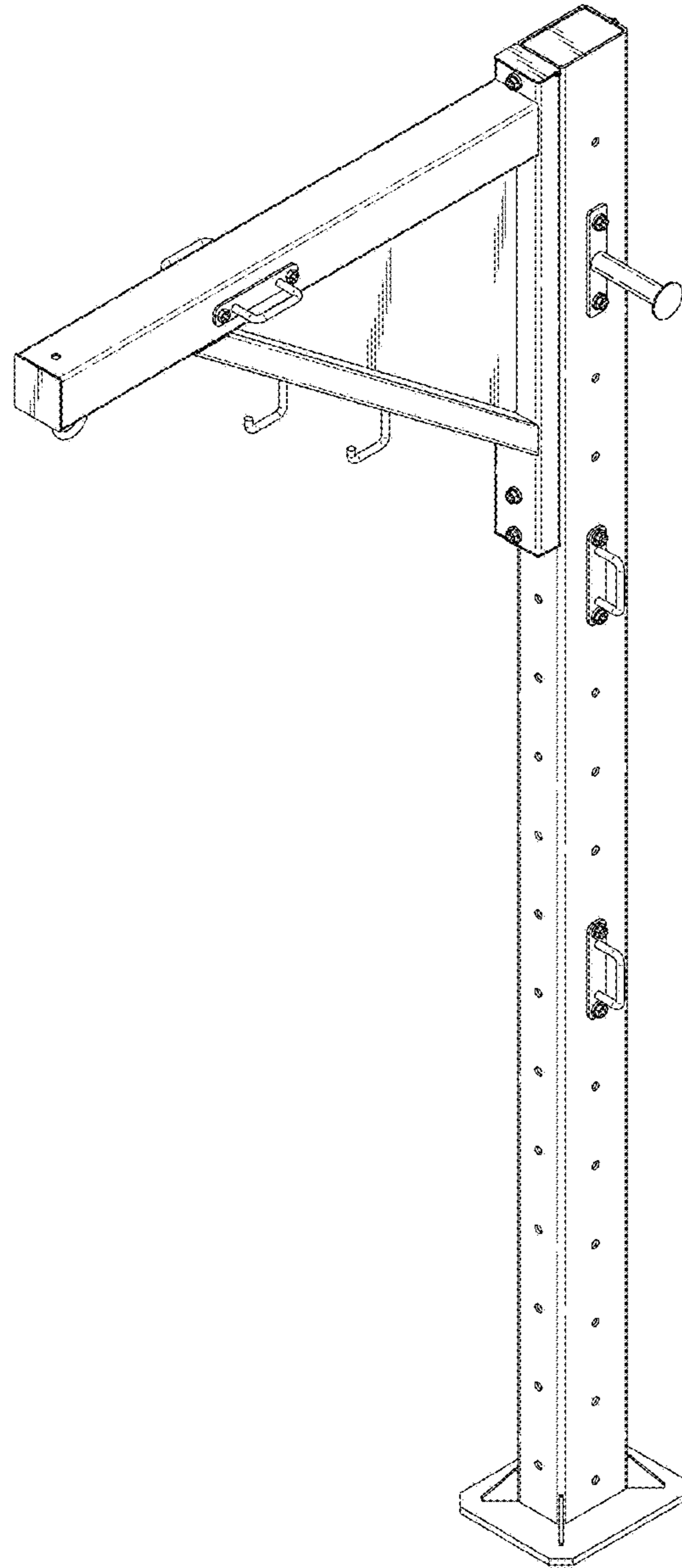


FIG. 1

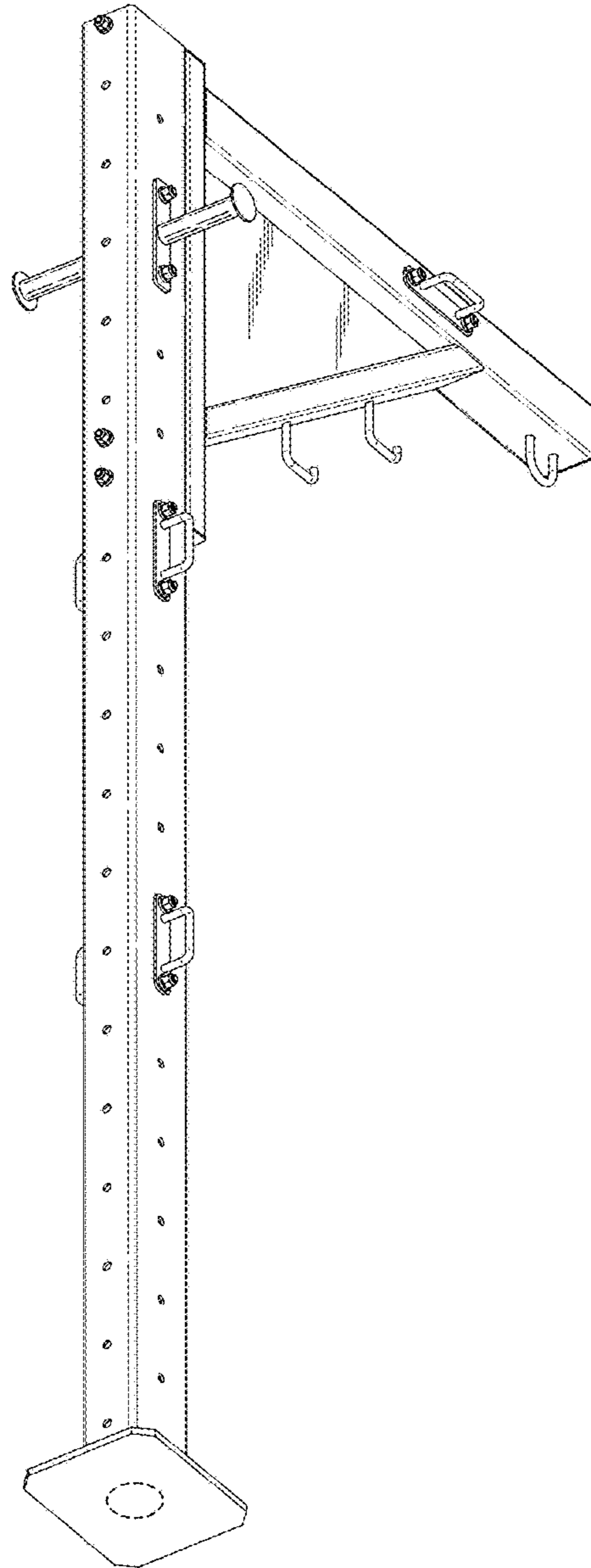


FIG. 2

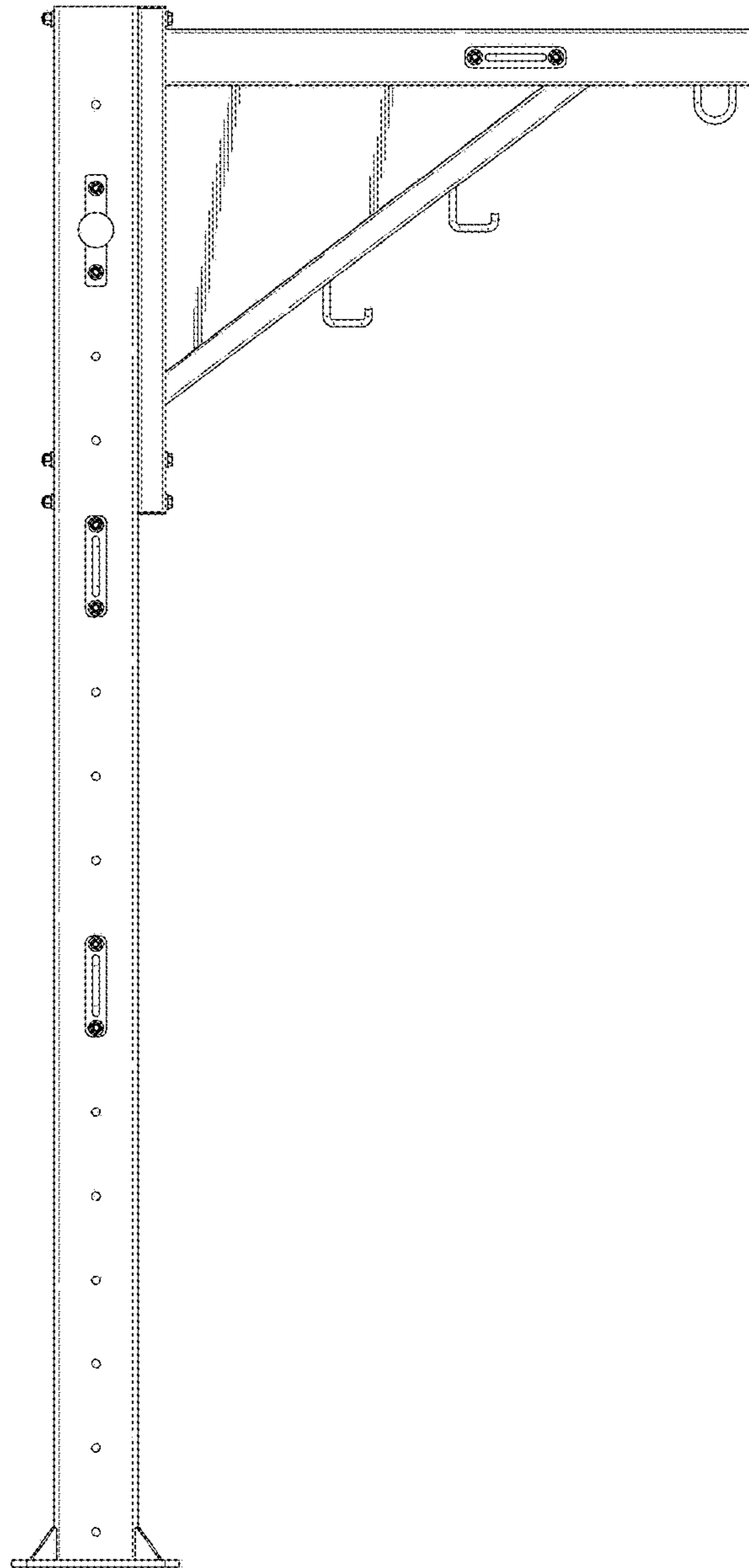


FIG. 3

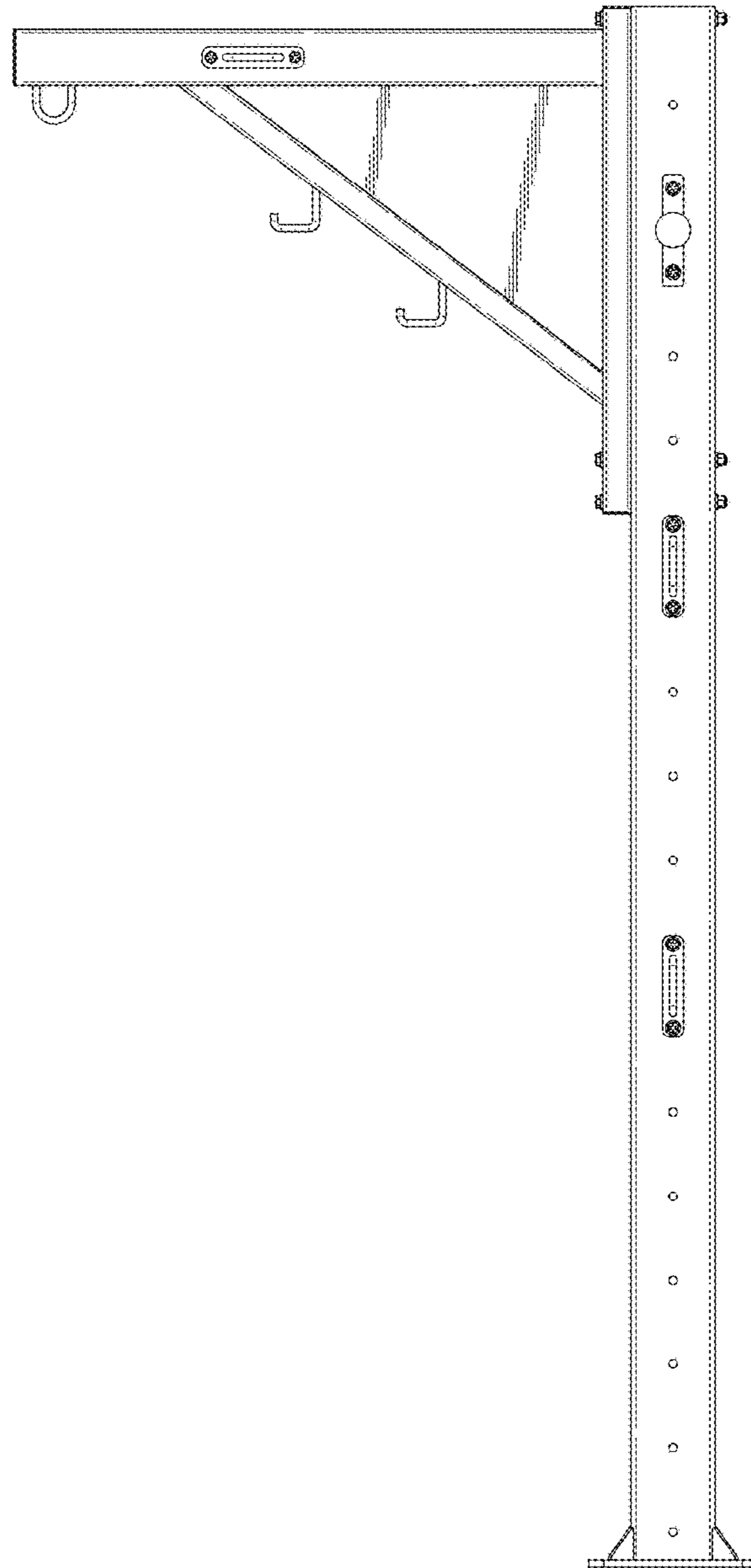


FIG. 4

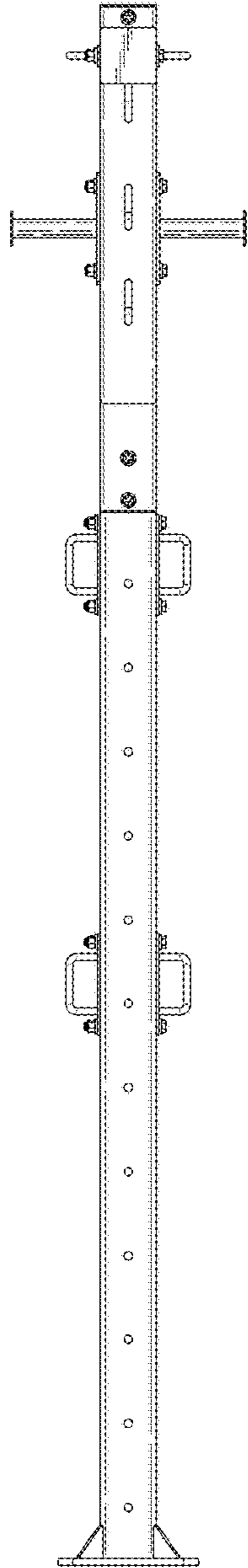


FIG. 5

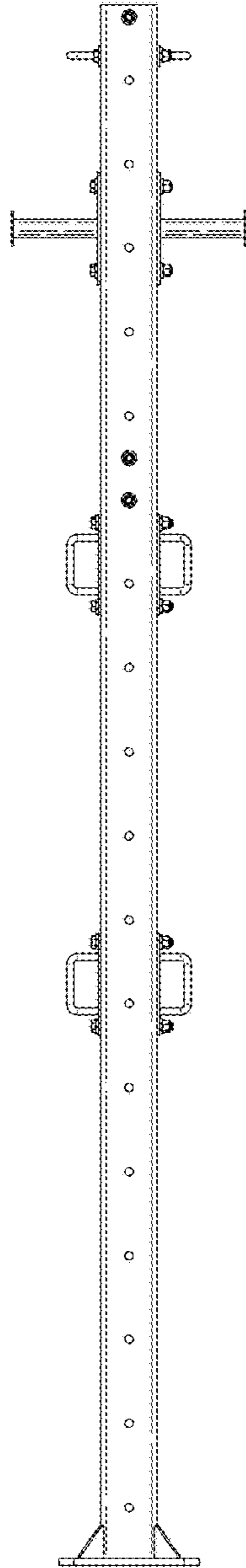


FIG. 6

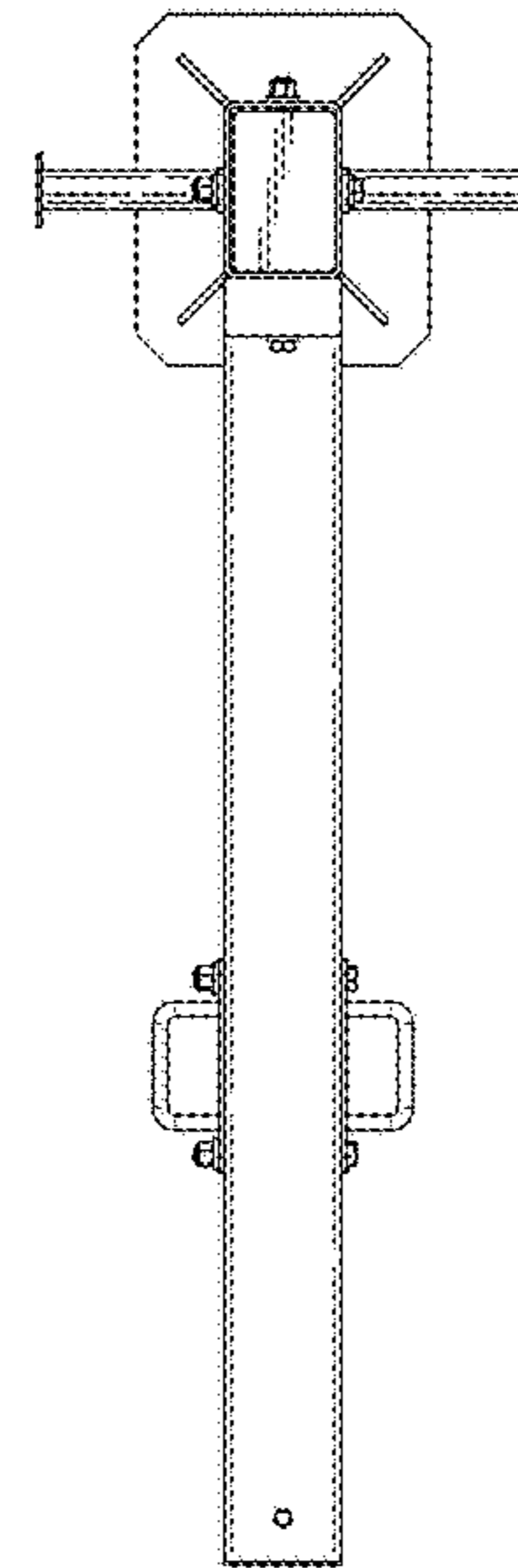


FIG. 7

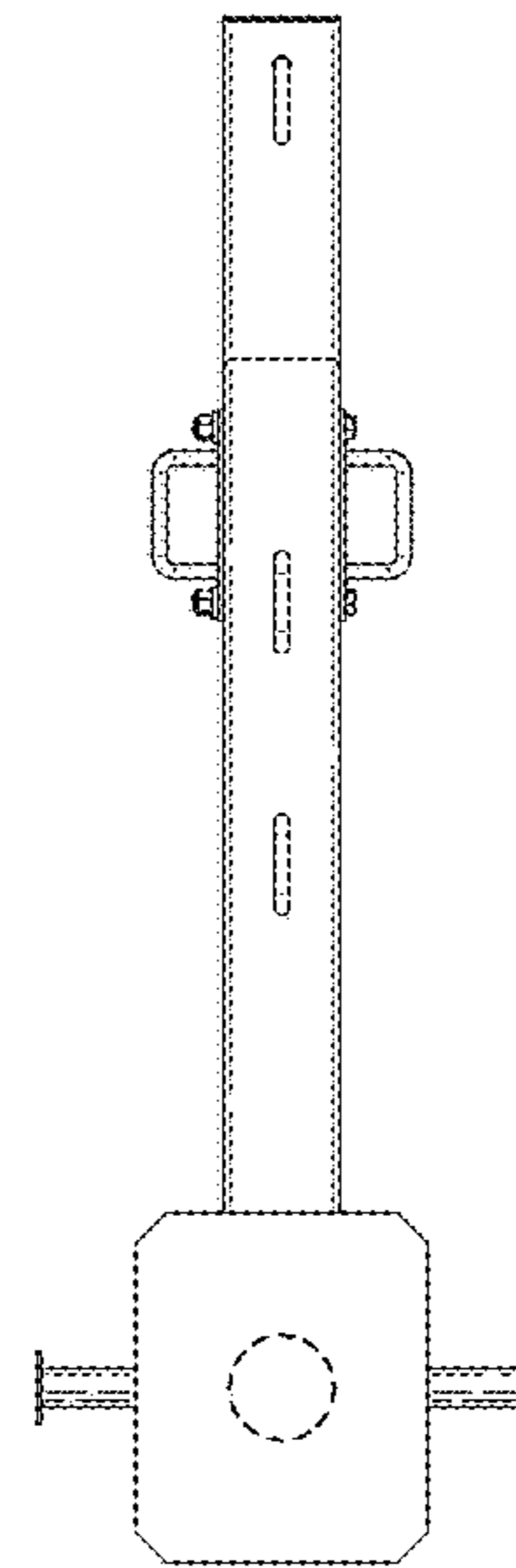


FIG. 8