



US00D855716S

(12) **United States Design Patent**
Starling

(10) **Patent No.:** **US D855,716 S**

(45) **Date of Patent:** **** Aug. 6, 2019**

(54) **FIGURINE ACCESSORY**

(71) Applicant: **Laser Pegs IP Holdings Corp.,**
Sarasota, FL (US)

(72) Inventor: **Mark Andrew Starling,** Sarasota, FL
(US)

(73) Assignee: **LASER PEGS IP HOLDINGS**
CORP, Sarasota, FL (US)

(**) Term: **15 Years**

(21) Appl. No.: **29/631,673**

(22) Filed: **Jan. 2, 2018**

(51) **LOC (12) Cl.** **21-01**

(52) **U.S. Cl.**
USPC **D21/658**

(58) **Field of Classification Search**
USPC D21/578–583, 658–661; D15/199
CPC . B25J 9/00; B25J 9/0003; B25J 9/0006; B25J
9/0009

See application file for complete search history.

(56) **References Cited**

U.S. PATENT DOCUMENTS

D619,180 S * 7/2010 Chan D21/578
D715,379 S * 10/2014 Kitamura A63H 3/00
D21/578

D715,380 S * 10/2014 Ito A63H 3/00
D21/578

D715,381 S * 10/2014 Ito A63H 3/00
D21/578

D715,382 S * 10/2014 Ito A63H 3/00
D21/578

D830,438 S * 10/2018 Haddadin D15/199

* cited by examiner

Primary Examiner — Zenia I Bennett

(74) *Attorney, Agent, or Firm* — Allen Dyer Doppelt &
Gilchrist

(57) **CLAIM**

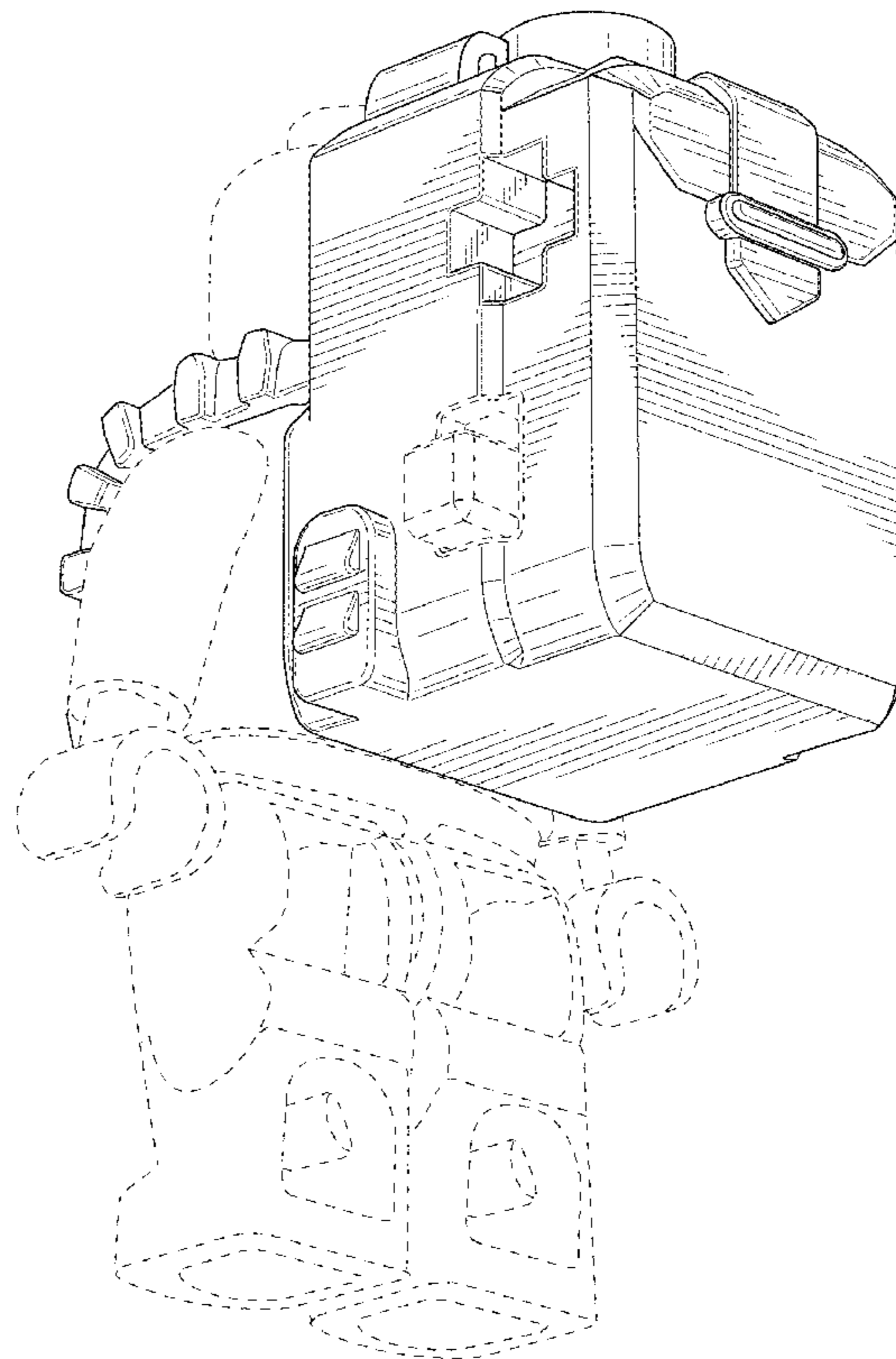
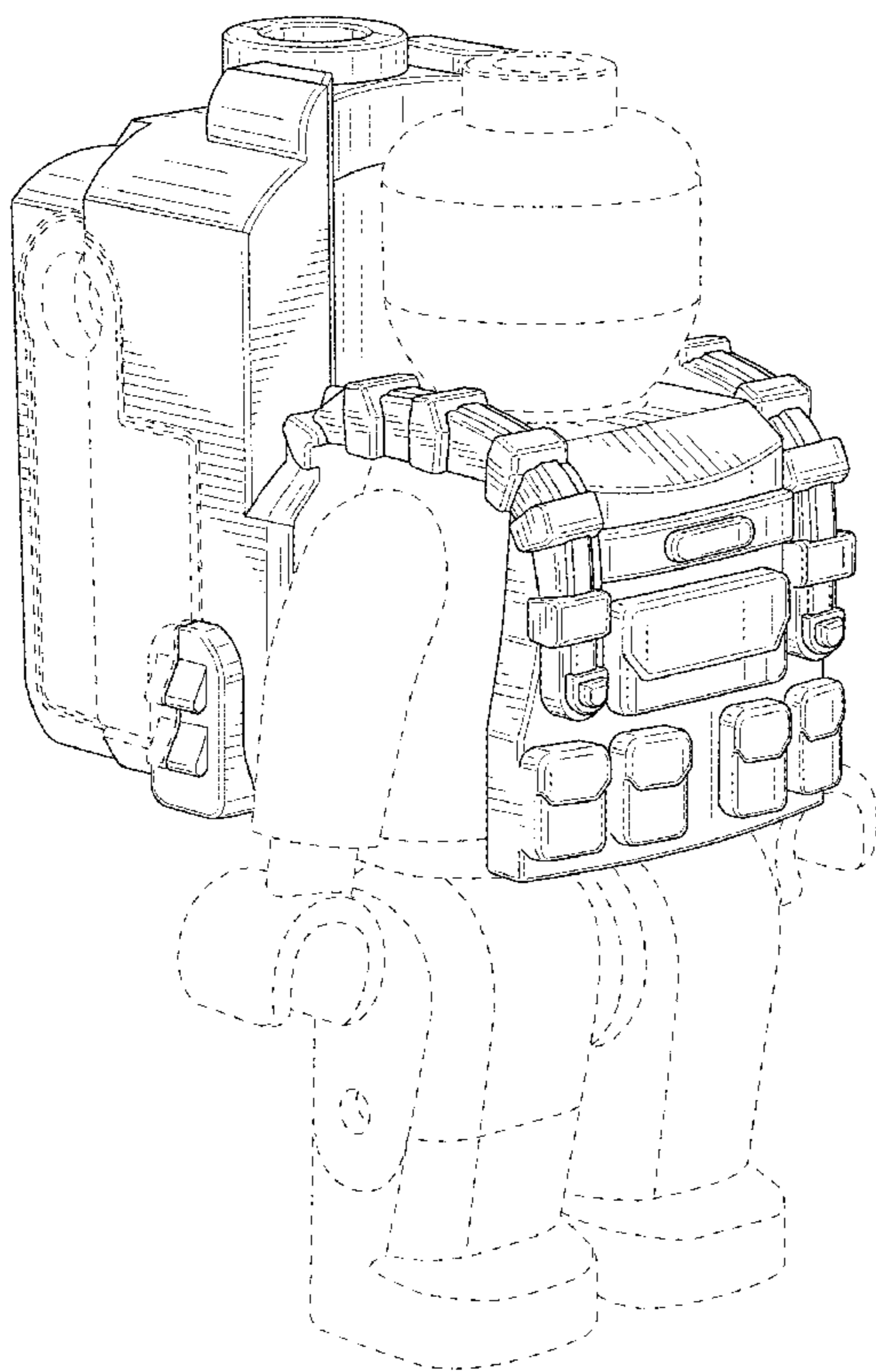
The ornamental design for a figurine accessory, as shown
and described.

DESCRIPTION

FIG. 1 is a front, right, top perspective view of the design;
FIG. 2 is a rear, left, bottom perspective view of the design;
FIG. 3 is a front view of the design;
FIG. 4 is a rear view of the design;
FIG. 5 is a right side view of the design,
FIG. 6 is a left side view of the design;
FIG. 7 is a top view of the design; and,
FIG. 8 is a bottom view of the design.

The broken lines illustrate subject matter outside the scope
of the claimed invention, and form no part thereof.

1 Claim, 8 Drawing Sheets



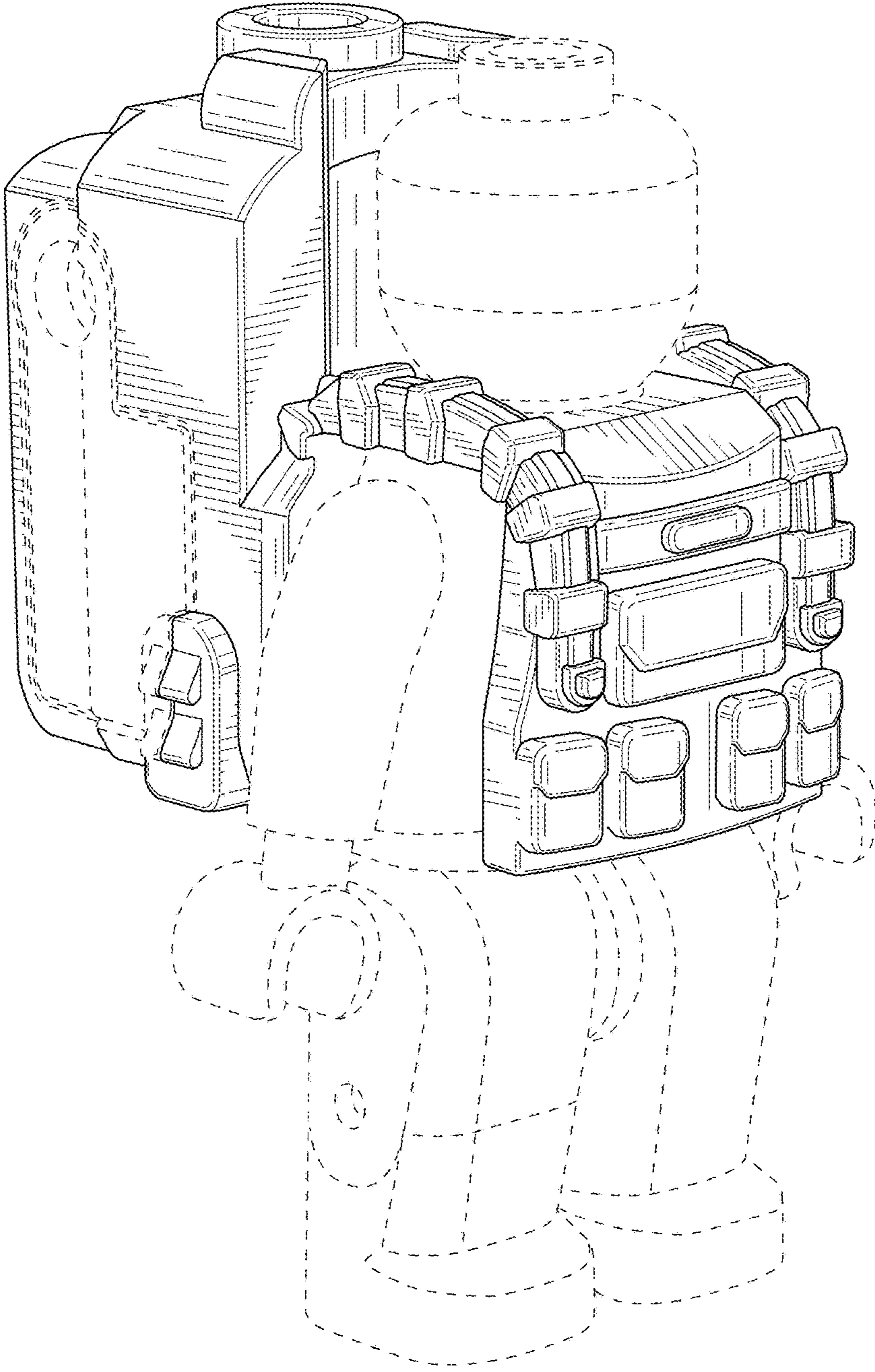


FIG. 1

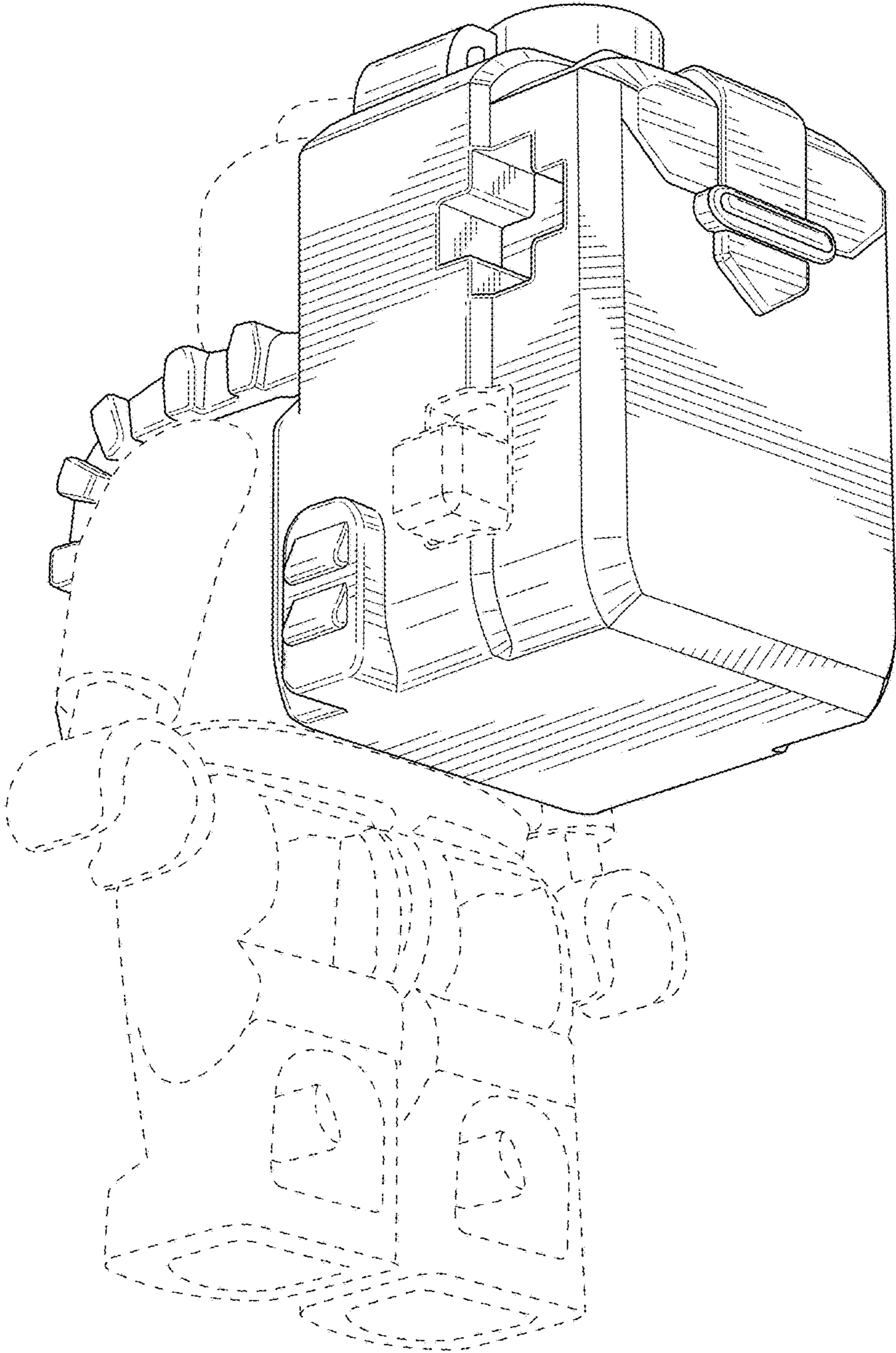


FIG. 2

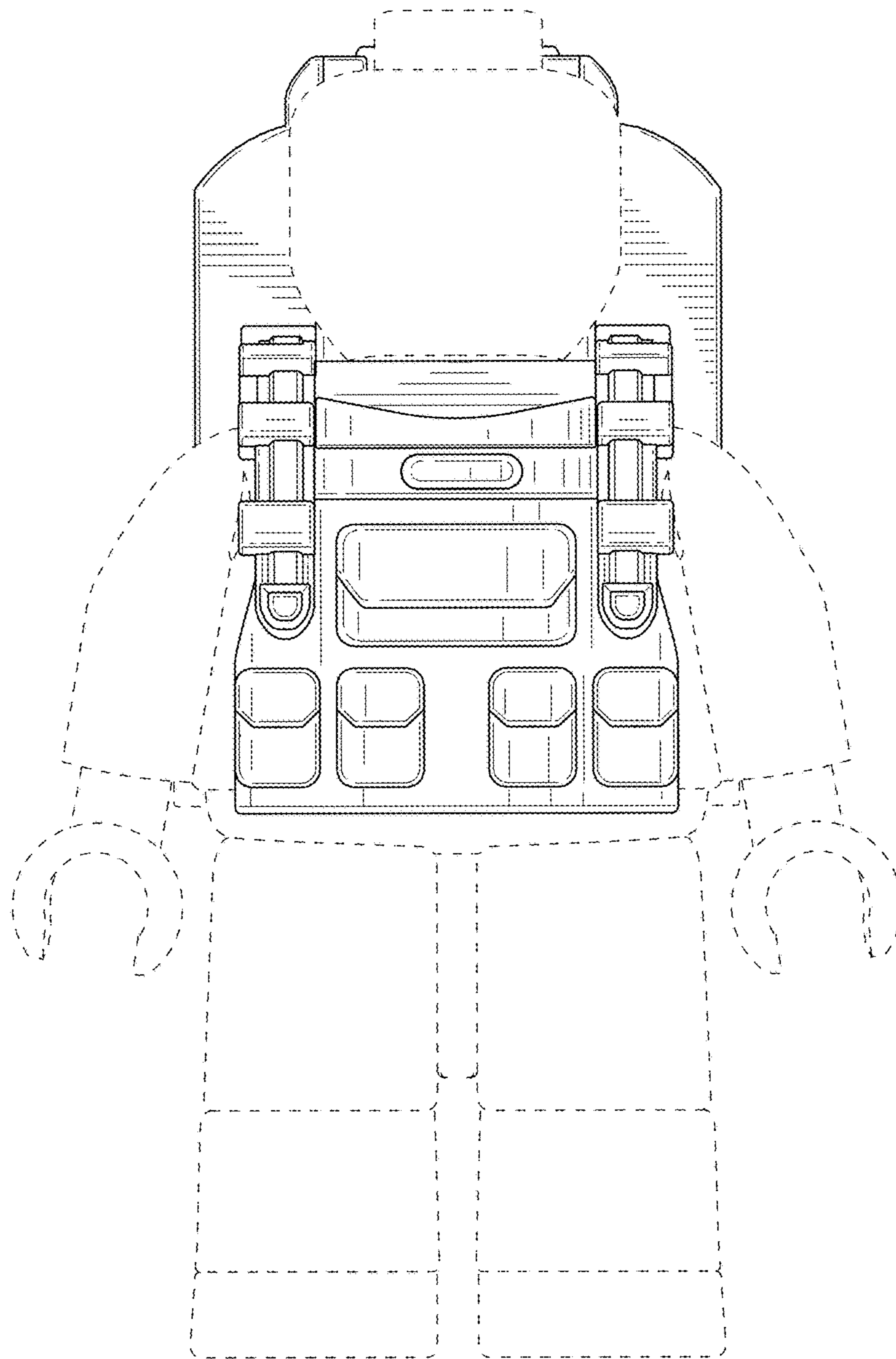


FIG. 3

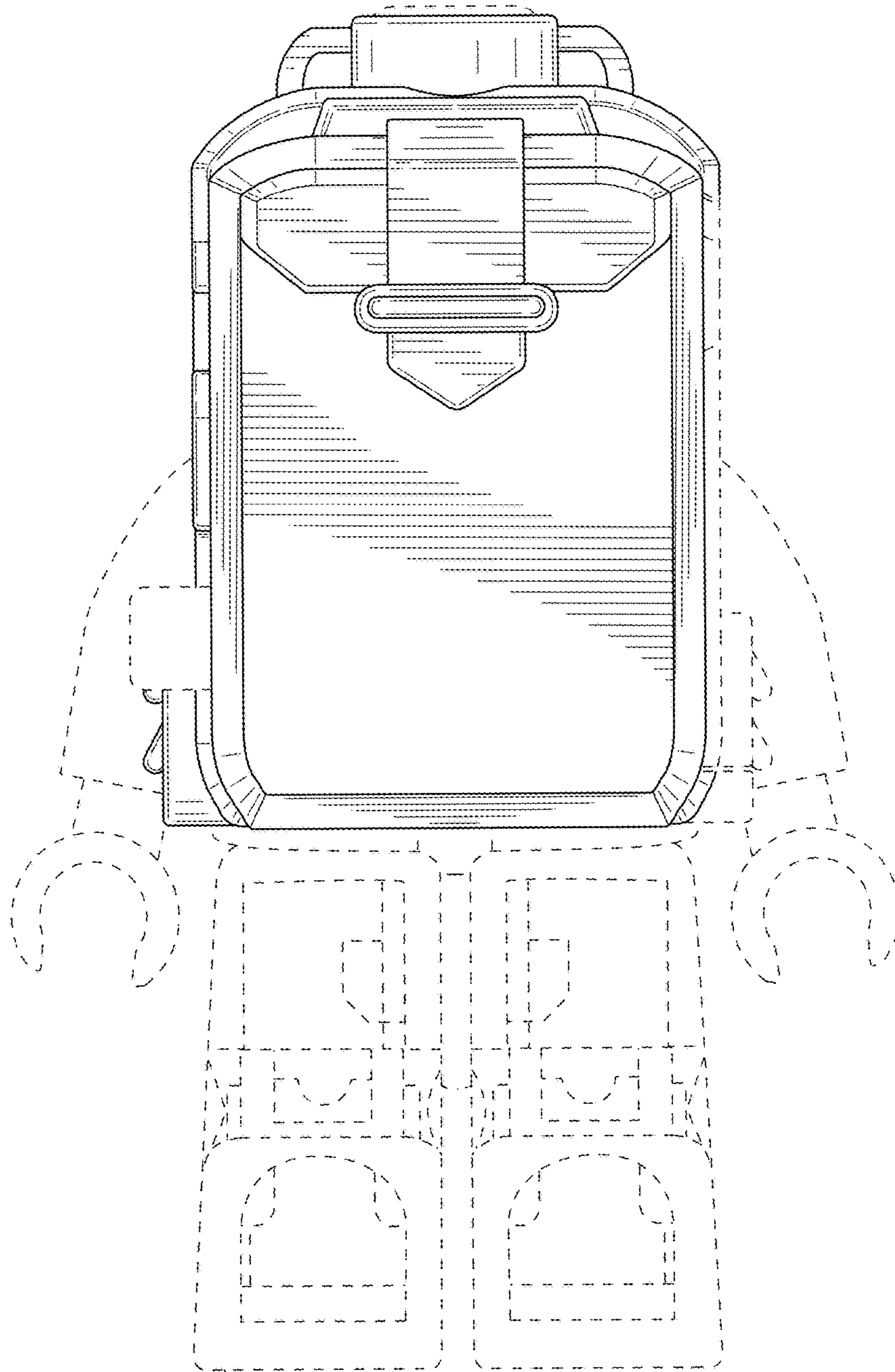


FIG. 4

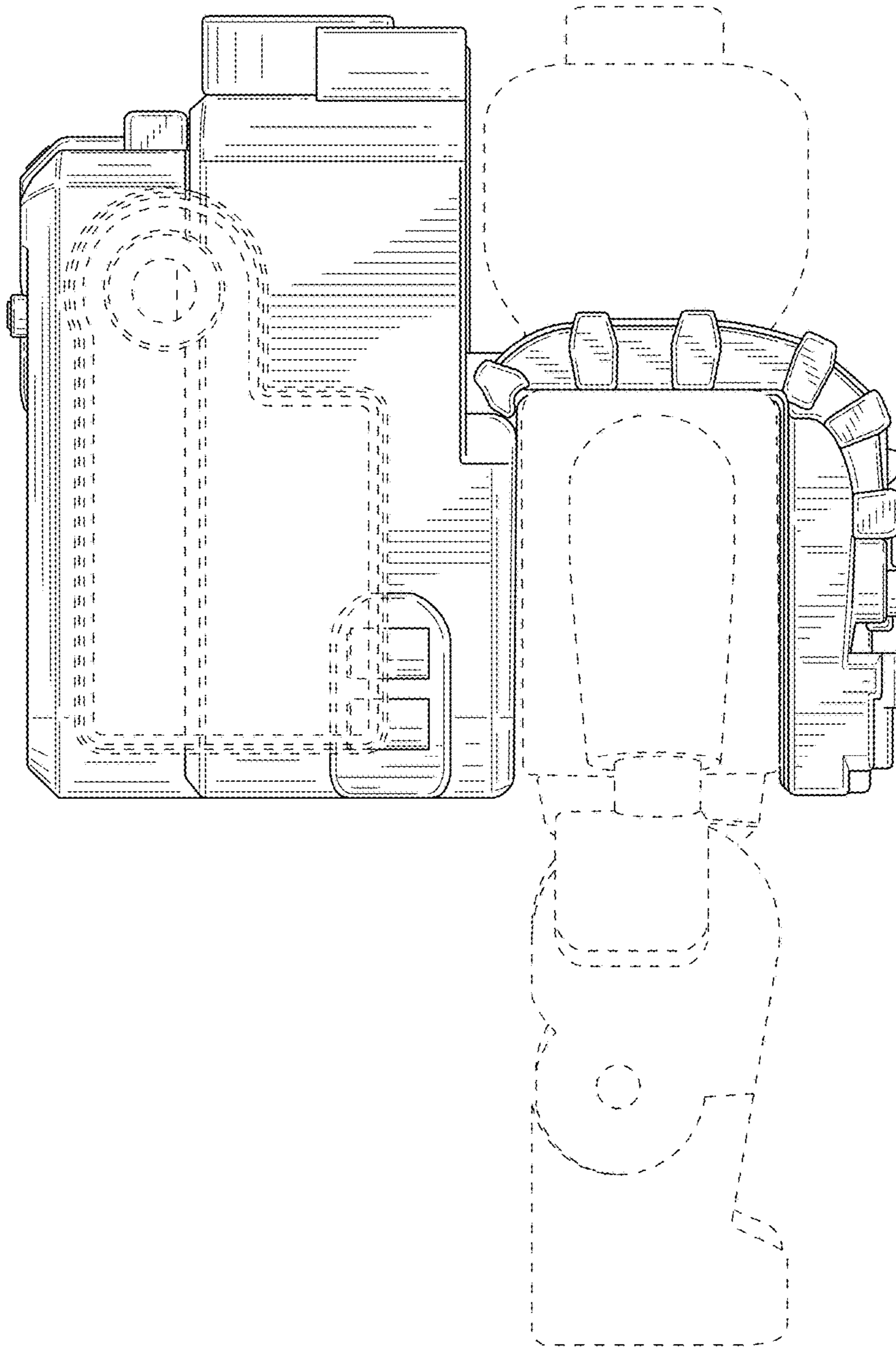


FIG. 5

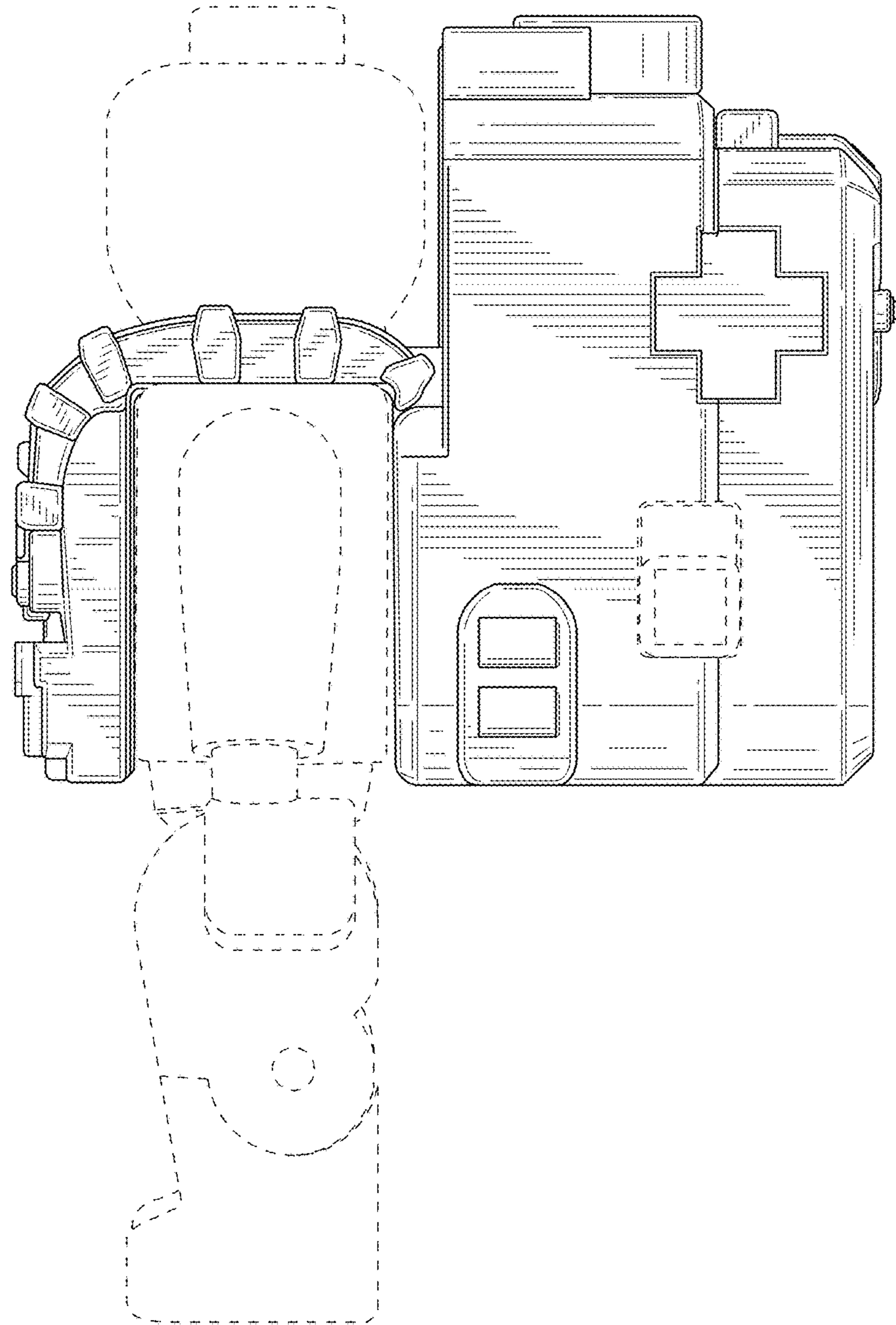


FIG. 6

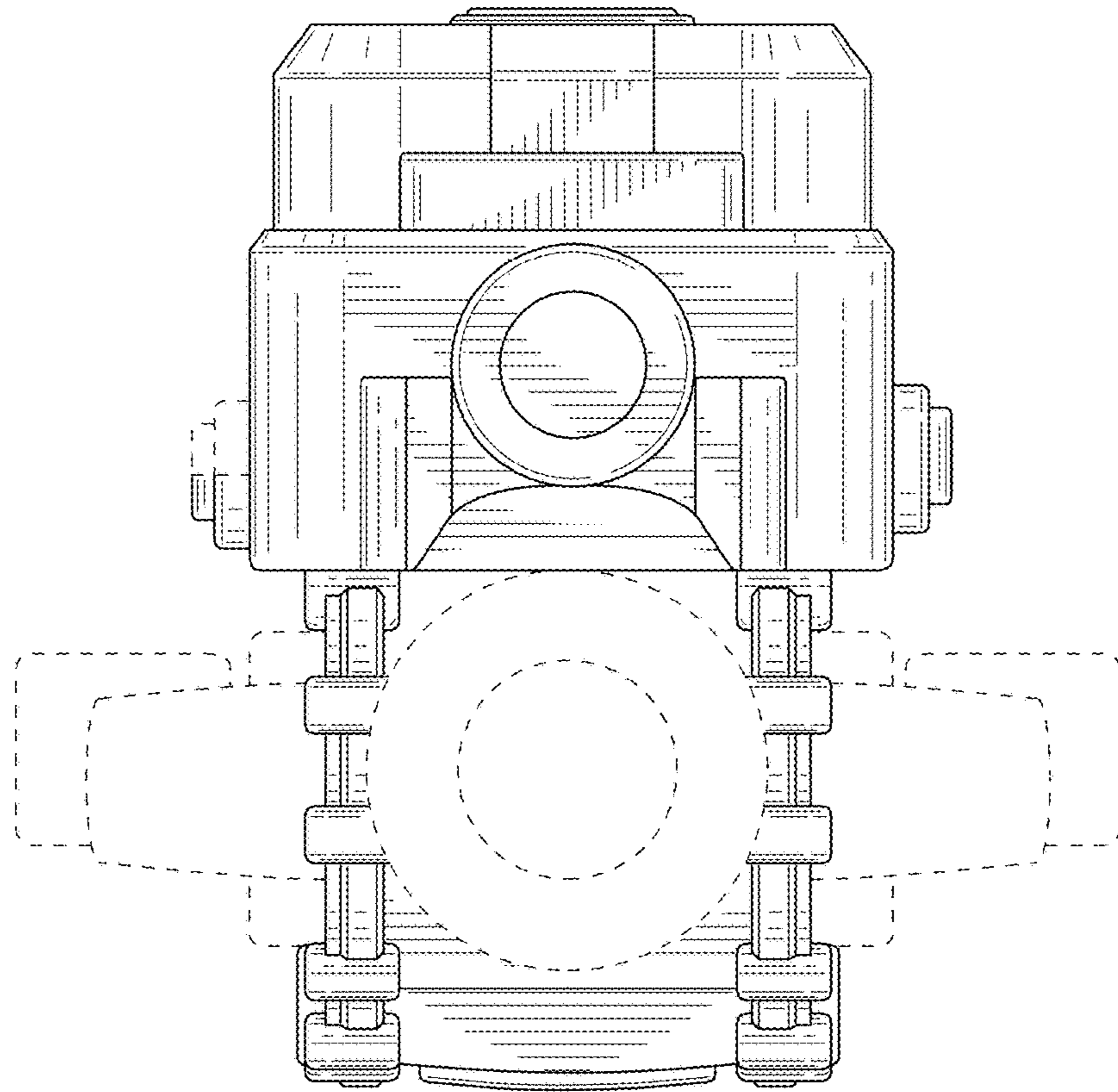


FIG. 7

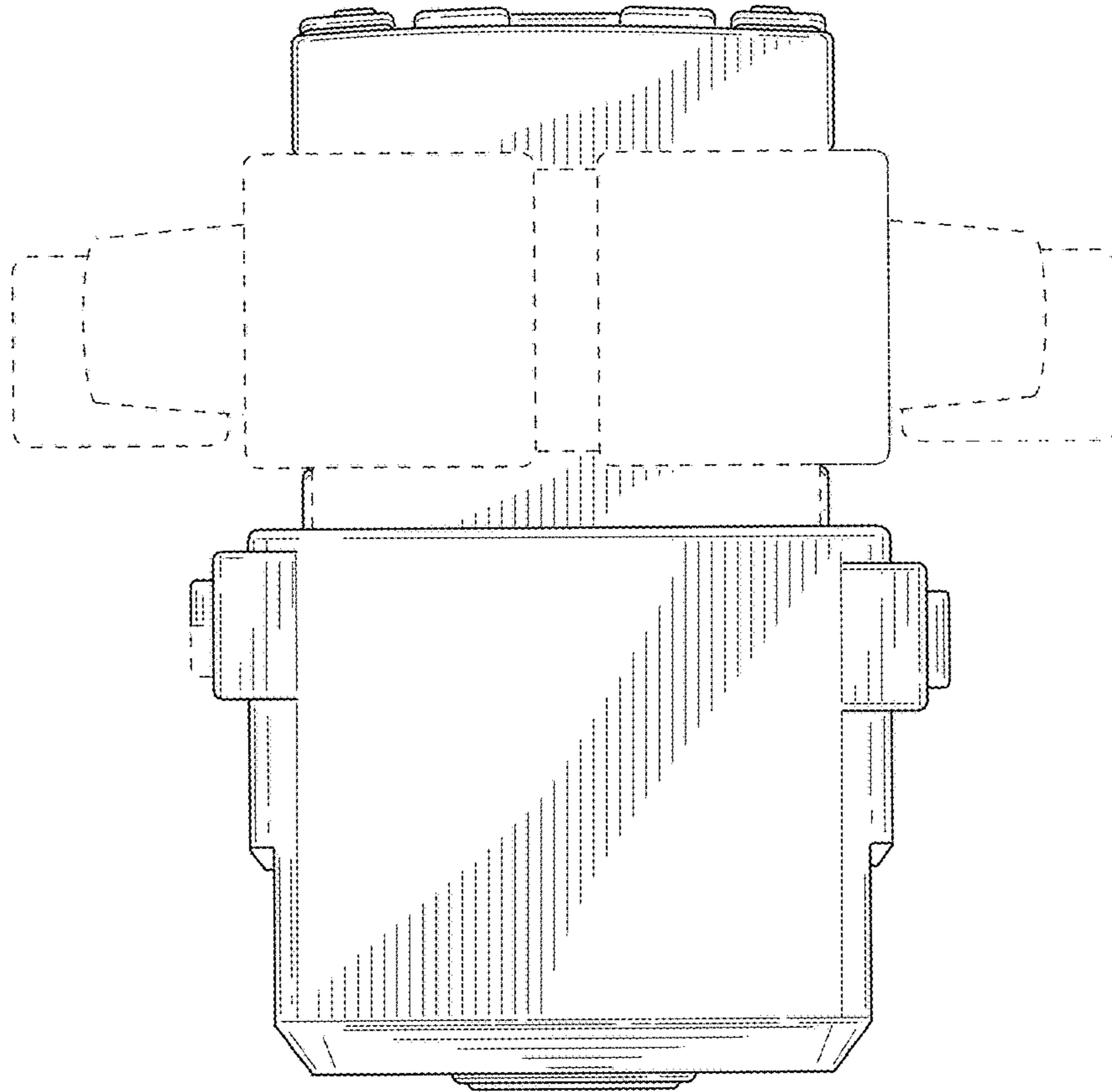


FIG. 8