



US00D855714S

(12) **United States Design Patent**
O'Brien

(10) **Patent No.:** **US D855,714 S**

(45) **Date of Patent:** **** Aug. 6, 2019**

(54) **AERIAL TOY**

5,947,792 A * 9/1999 Wong A63H 15/00

446/323

D638,074 S * 5/2011 Wong D21/621

(71) Applicant: **SPIN MASTER LTD.**, Toronto (CA)

* cited by examiner

(72) Inventor: **Robert M. O'Brien**, Ajax (CA)

Primary Examiner — Zenia I Bennett

(73) Assignee: **SPIN MASTER LTD.**, Toronto (CA)

(74) *Attorney, Agent, or Firm* — Millman IP Inc.

(**) Term: **15 Years**

(57) **CLAIM**

The ornamental design for an aerial toy, as shown and described.

(21) Appl. No.: **29/636,989**

DESCRIPTION

(22) Filed: **Feb. 13, 2018**

(51) **LOC (12) Cl.** **21-01**

(52) **U.S. Cl.**

USPC **D21/634**

(58) **Field of Classification Search**

USPC D21/585, 621, 634, 635, 636, 637, 659

CPC A63H 3/00; A63H 33/185

See application file for complete search history.

FIG. 1 is a perspective view from below, to the front and to the right side of a new design for an aerial toy;

FIG. 2 is a perspective view from above, to the rear, and to the left side thereof;

FIG. 3 is a front elevation view thereof;

FIG. 4 is a rear elevation view thereof;

FIG. 5 is a right side elevation view thereof;

FIG. 6 is a left side elevation view thereof;

FIG. 7 is a top plan view thereof;

FIG. 8 is a bottom plan view thereof; and,

FIG. 9 is a variation of a top plan view thereof.

The broken lines shown in the drawings are for illustration only and form no part of the claimed design. The views shown in FIG. 9 illustrates the view of the aerial toy if the dashed outlines shown in the parachute canopy therefrom were apertures.

(56) **References Cited**

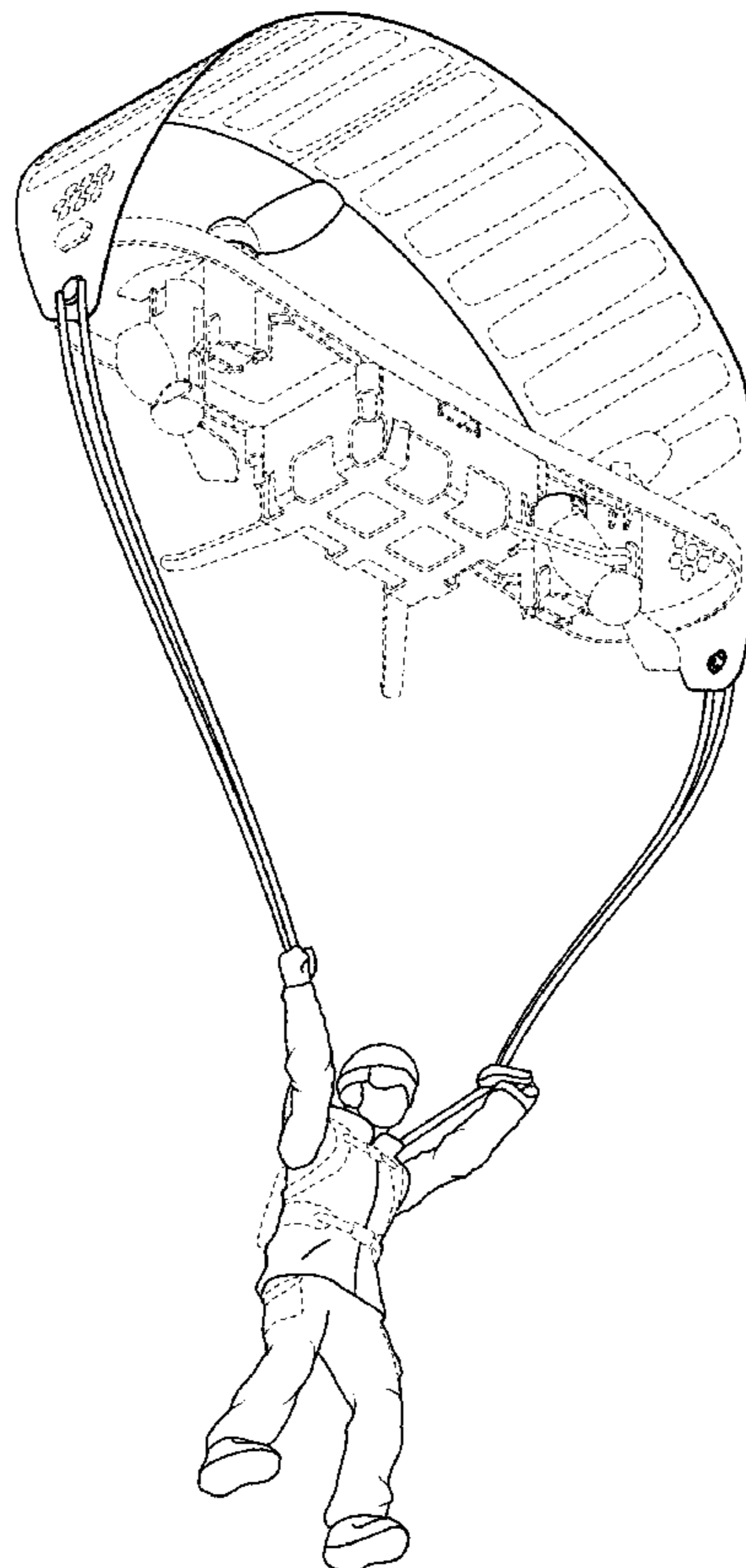
U.S. PATENT DOCUMENTS

D267,102 S * 11/1982 Steinberg D21/448

D283,150 S * 3/1986 Jensen D21/635

D358,362 S * 5/1995 Haggard D12/321

1 Claim, 7 Drawing Sheets



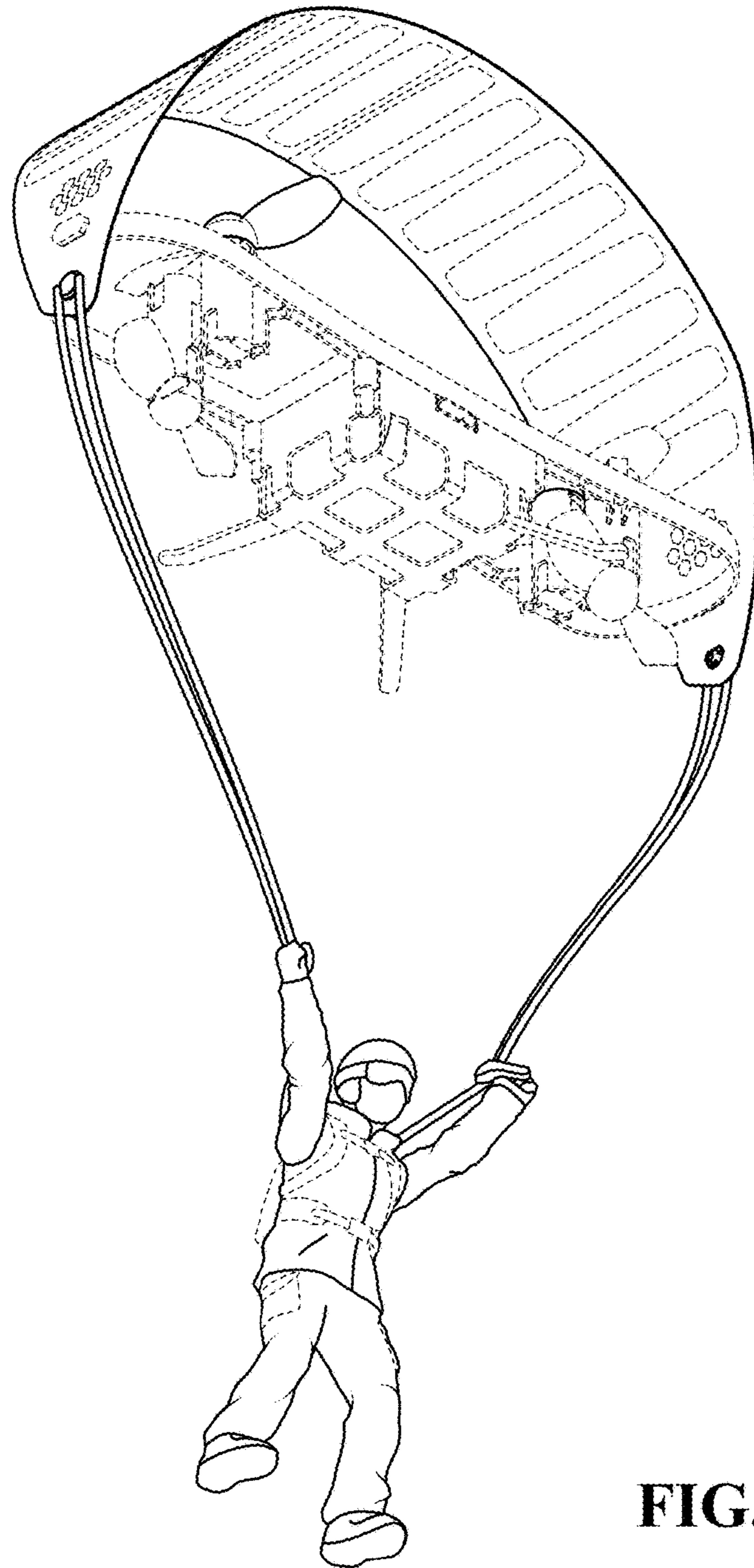


FIG. 1

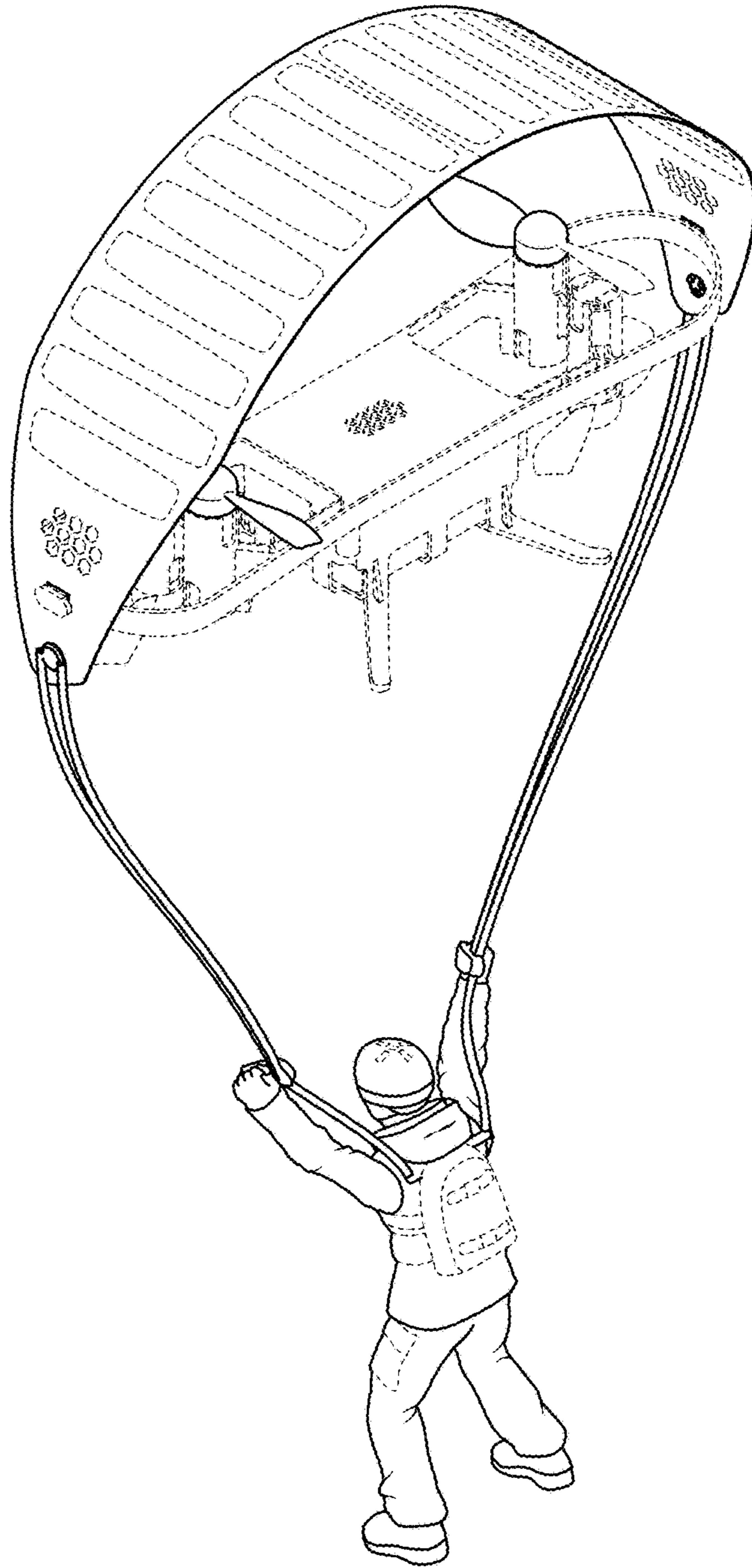


FIG. 2

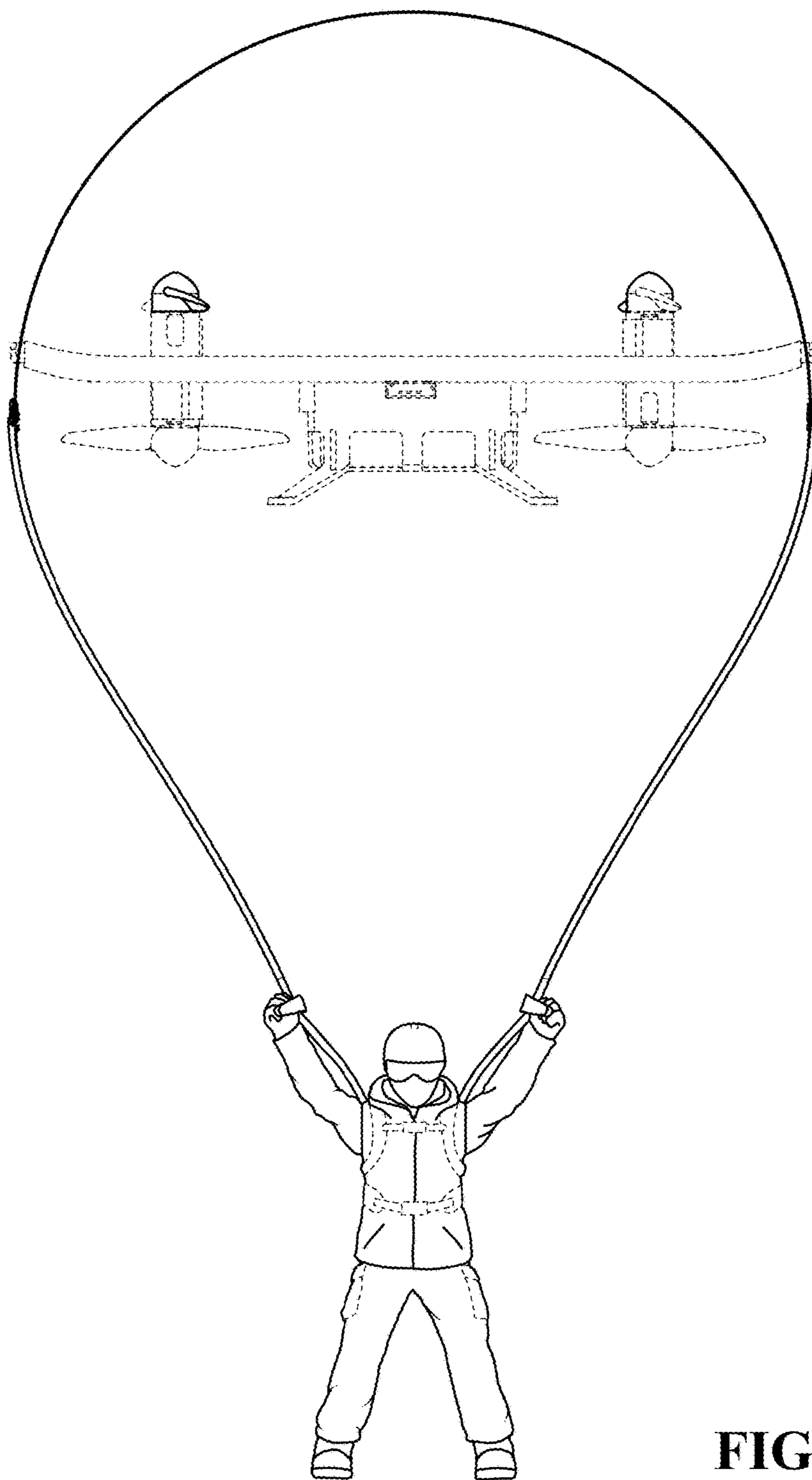


FIG. 3

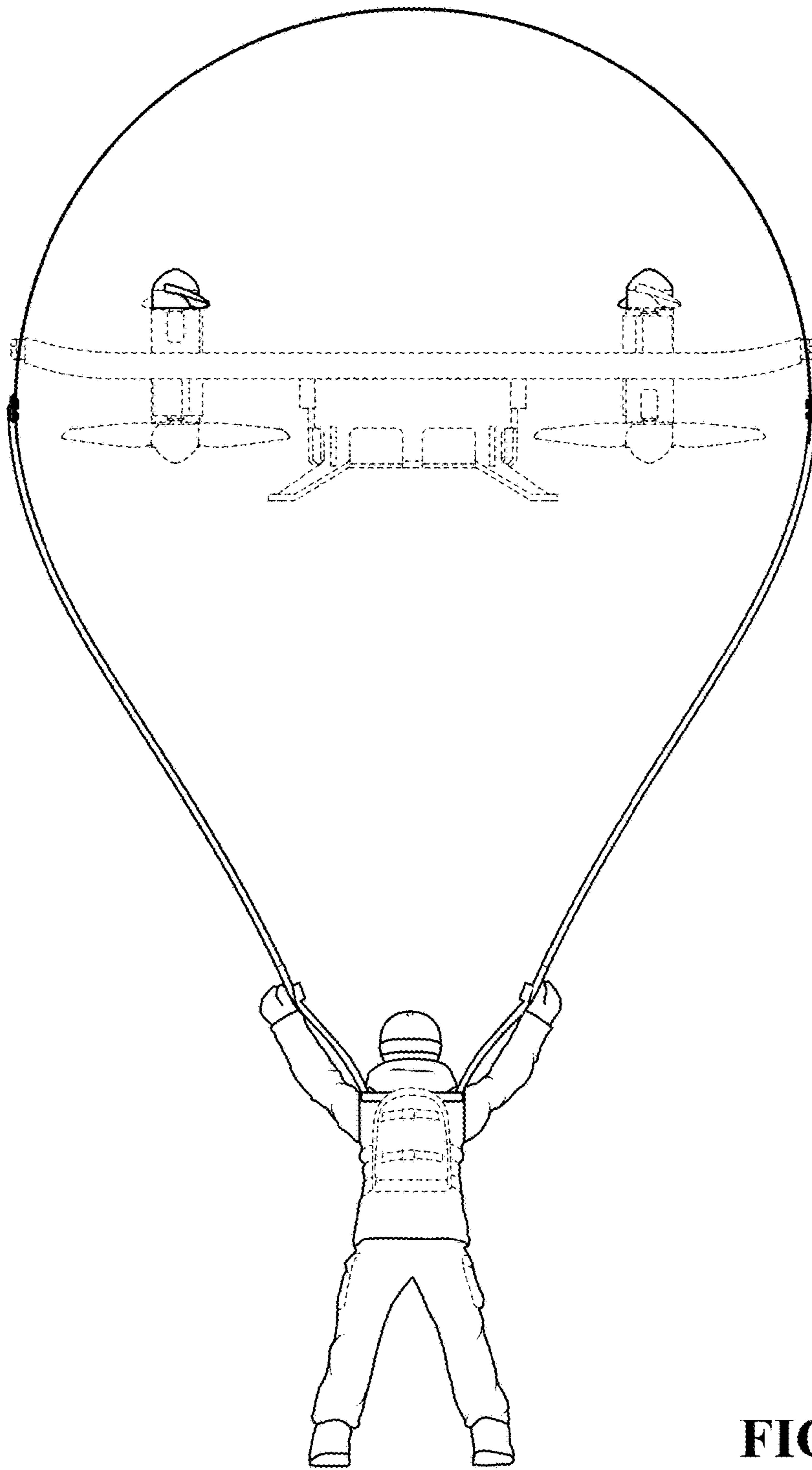


FIG. 4

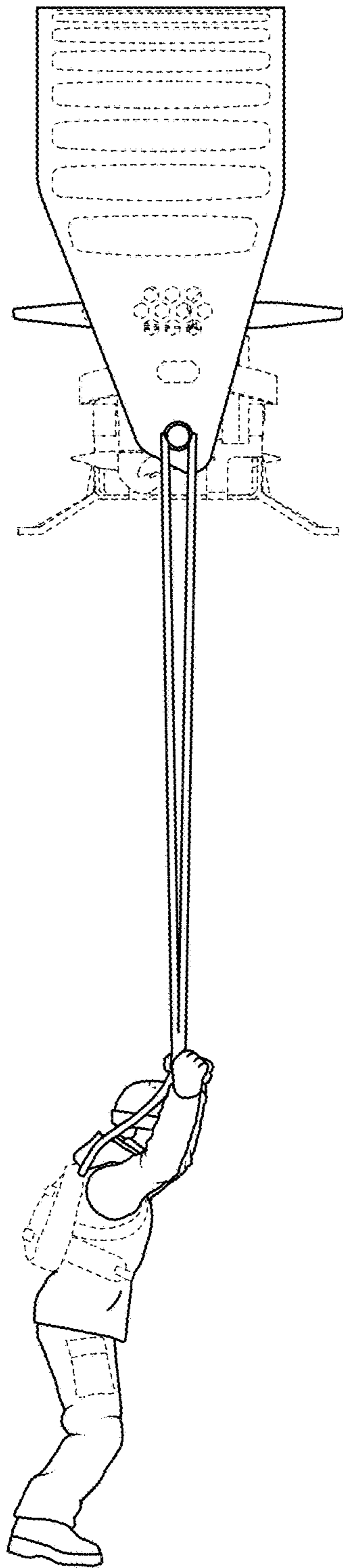


FIG. 5

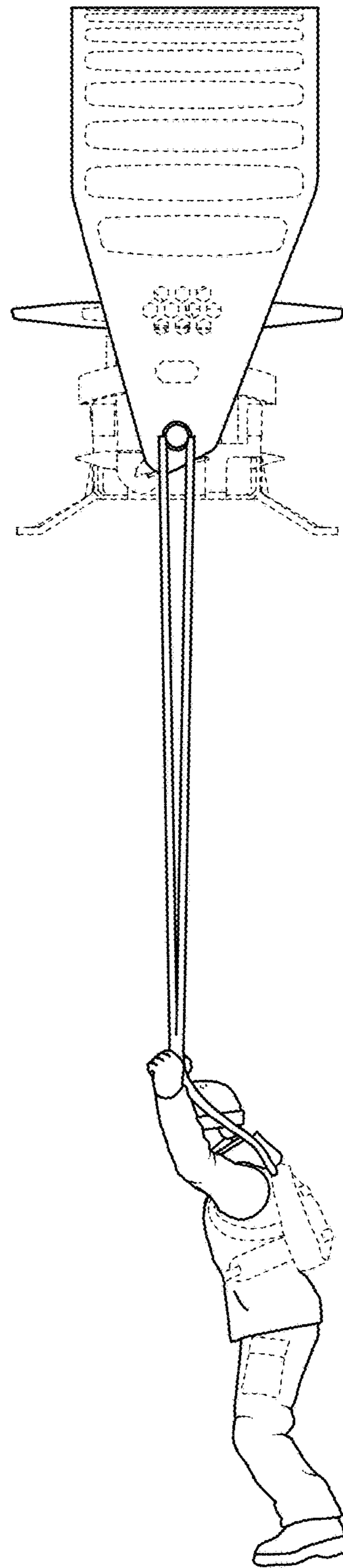


FIG. 6

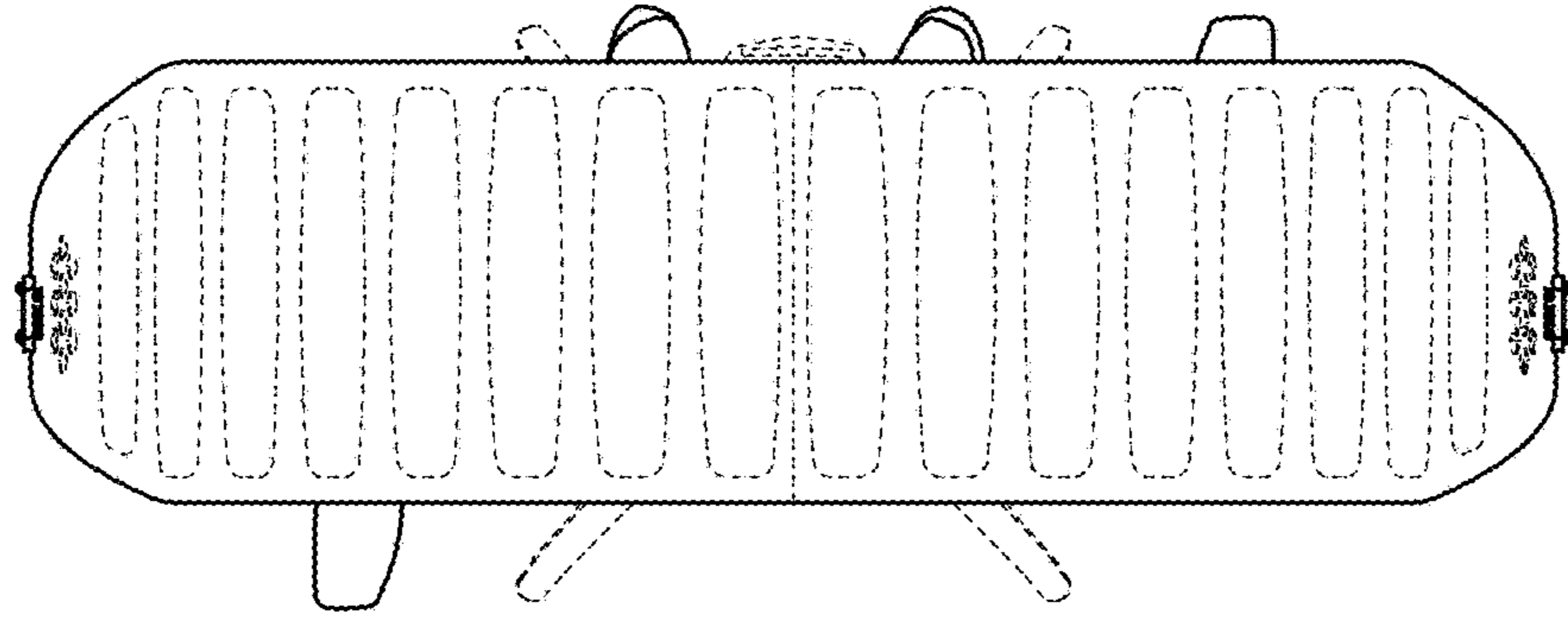


FIG. 7

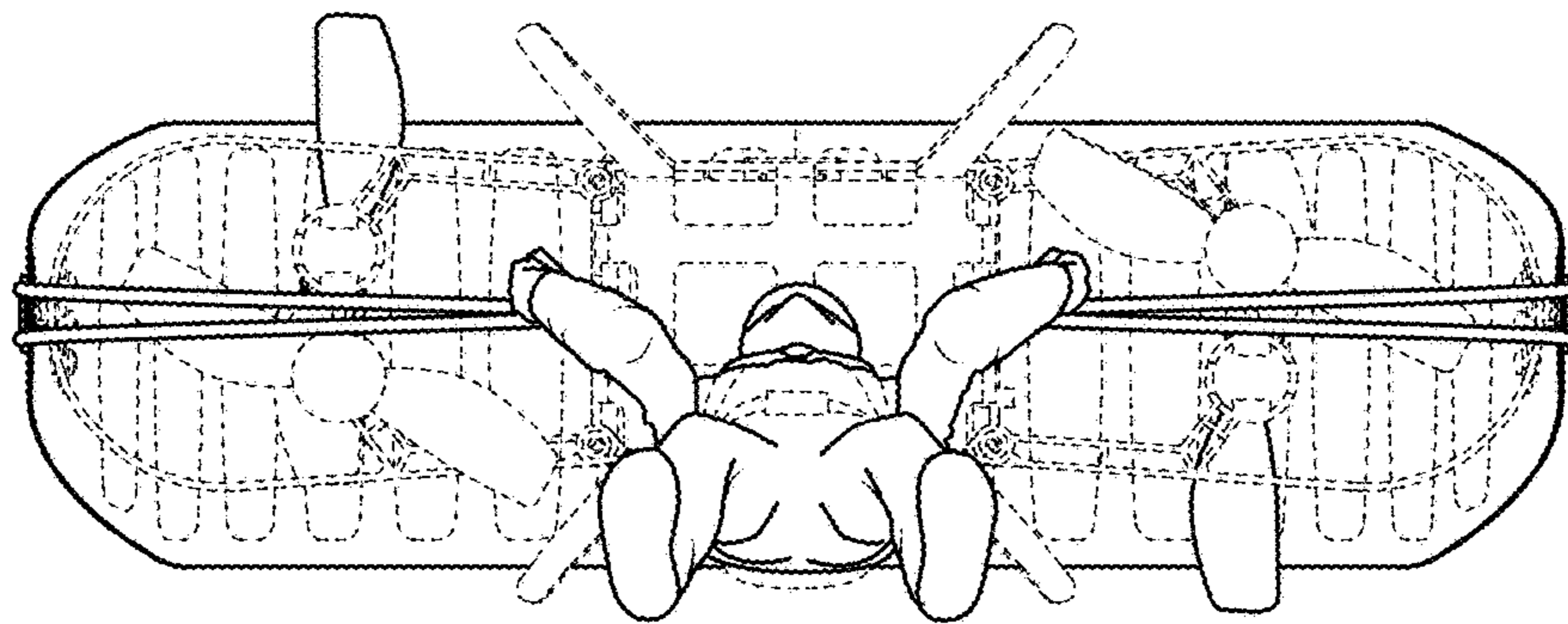


FIG. 8

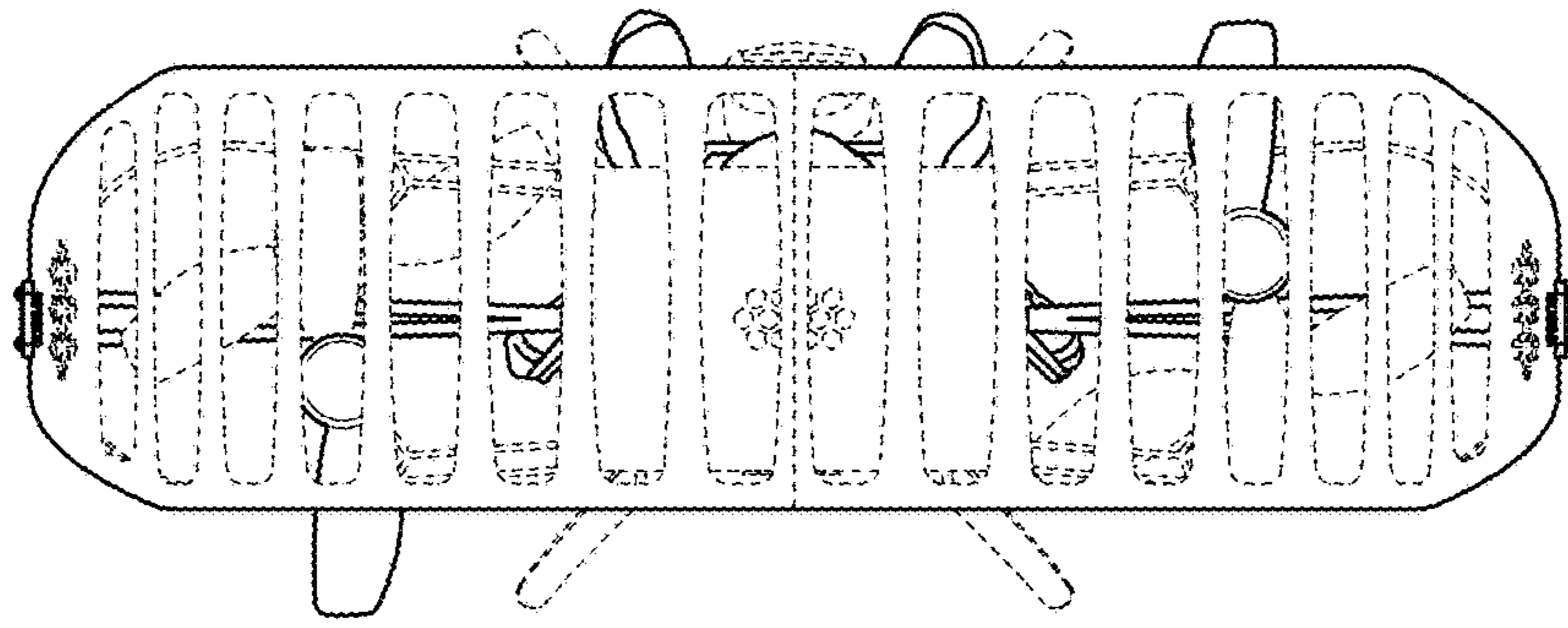


FIG. 9