



US00D855706S

(12) **United States Design Patent**
Narita

(10) **Patent No.:** **US D855,706 S**

(45) **Date of Patent:** **** Aug. 6, 2019**

(54) **SPINNING TOP TOY**

DESCRIPTION

(71) Applicant: **TOMY COMPANY, LTD.**, Tokyo (JP)

(72) Inventor: **Kouji Narita**, Tokyo (JP)

(73) Assignee: **TOMY COMPANY, LTD.**, Tokyo (JP)

(**) Term: **15 Years**

(21) Appl. No.: **29/620,263**

(22) Filed: **Sep. 8, 2016**

(30) **Foreign Application Priority Data**

Jul. 5, 2016 (JP) 2016-014330

(51) **LOC (12) Cl.** **21-01**

(52) **U.S. Cl.**
USPC **D21/460**

(58) **Field of Classification Search**
USPC D21/455-464; 446/236-266

(Continued)

(56) **References Cited**

U.S. PATENT DOCUMENTS

D614,245 S * 4/2010 Ujita D21/460

D629,468 S * 12/2010 Ujita D21/460

(Continued)

FOREIGN PATENT DOCUMENTS

CA 2857579 A1 * 6/2013 A63H 1/18

CN 300687773 * 9/2007

(Continued)

Primary Examiner — Catherine A Tuttle

(74) *Attorney, Agent, or Firm* — Staas & Halsey LLP

(57) **CLAIM**

The ornamental design for a spinning top toy, as shown and described.

FIG. 1 is a front view of the spinning top toy showing our design;

FIG. 2 is a left side view thereof;

FIG. 3 is a rear view thereof;

FIG. 4 is right side view thereof;

FIG. 5 is a top view thereof;

FIG. 6 is a bottom view thereof;

FIG. 7 is a perspective view thereof;

FIG. 8 is a front elevational view of the transparent portion of the design shown in isolation for clarity of disclosure;

FIG. 9 is a top plan view of the top surface of the transparent portion shown in isolation for clarity of disclosure;

FIG. 10 is a front view thereof corresponding to FIG. 1 but showing contour shading to the exterior parts and with the interior parts omitted for clarity of disclosure;

FIG. 11 is a left side view thereof corresponding to FIG. 2 but showing contour shading to the exterior parts and with the interior parts omitted for clarity of disclosure;

FIG. 12 is rear view thereof corresponding to FIG. 3 but showing contour shading to the exterior parts and with the interior parts omitted for clarity of disclosure;

FIG. 13 is a right side view thereof corresponding to FIG. 4 but showing contour shading to the exterior parts and with the interior parts omitted for clarity of disclosure;

FIG. 14 is a top view thereof corresponding to FIG. 5 but showing contour shading to the exterior parts and with the interior parts omitted for clarity of disclosure;

FIG. 15 is a bottom view thereof corresponding to FIG. 6 but showing contour shading to the exterior parts and with the interior parts omitted for clarity of disclosure;

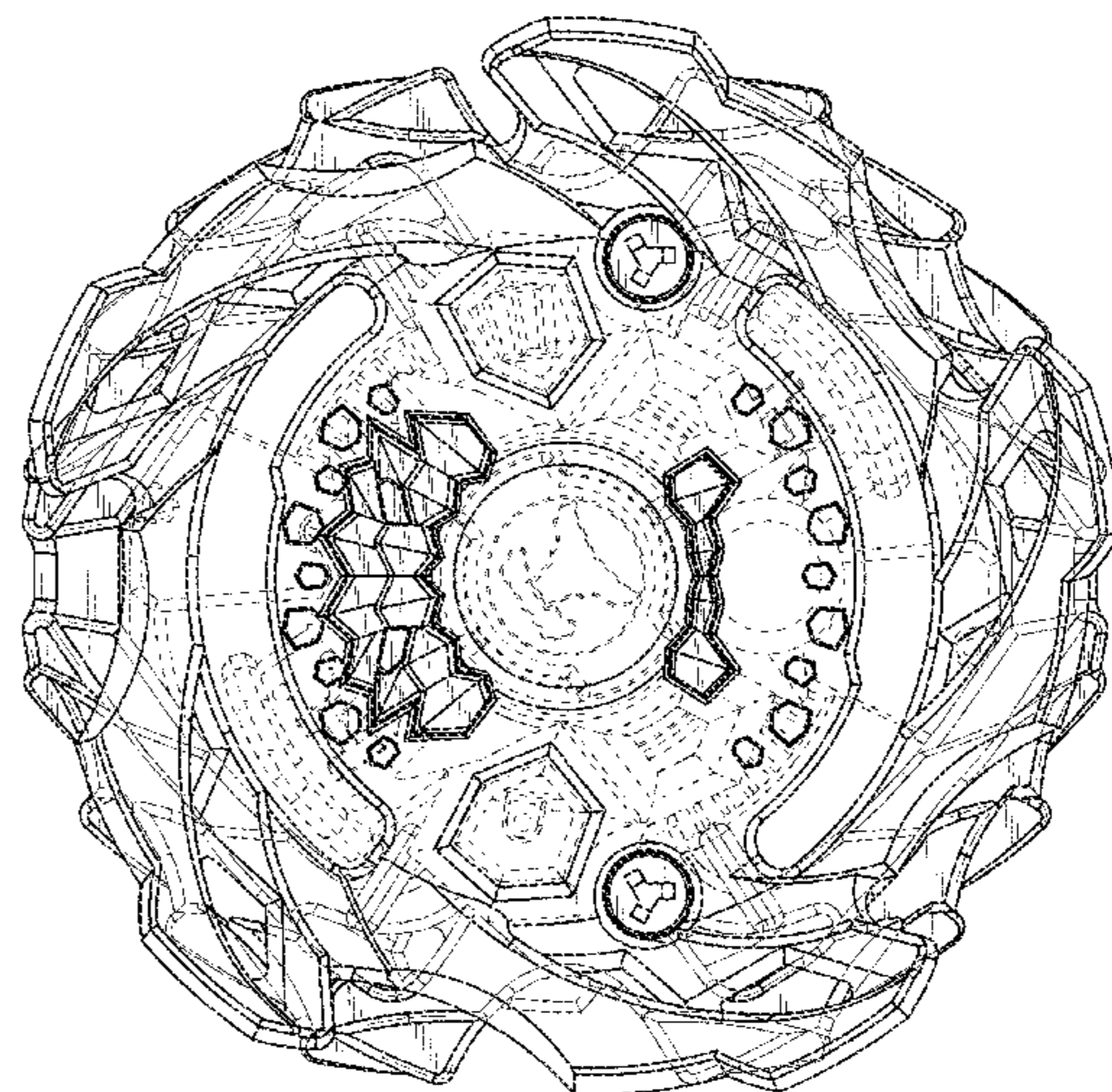
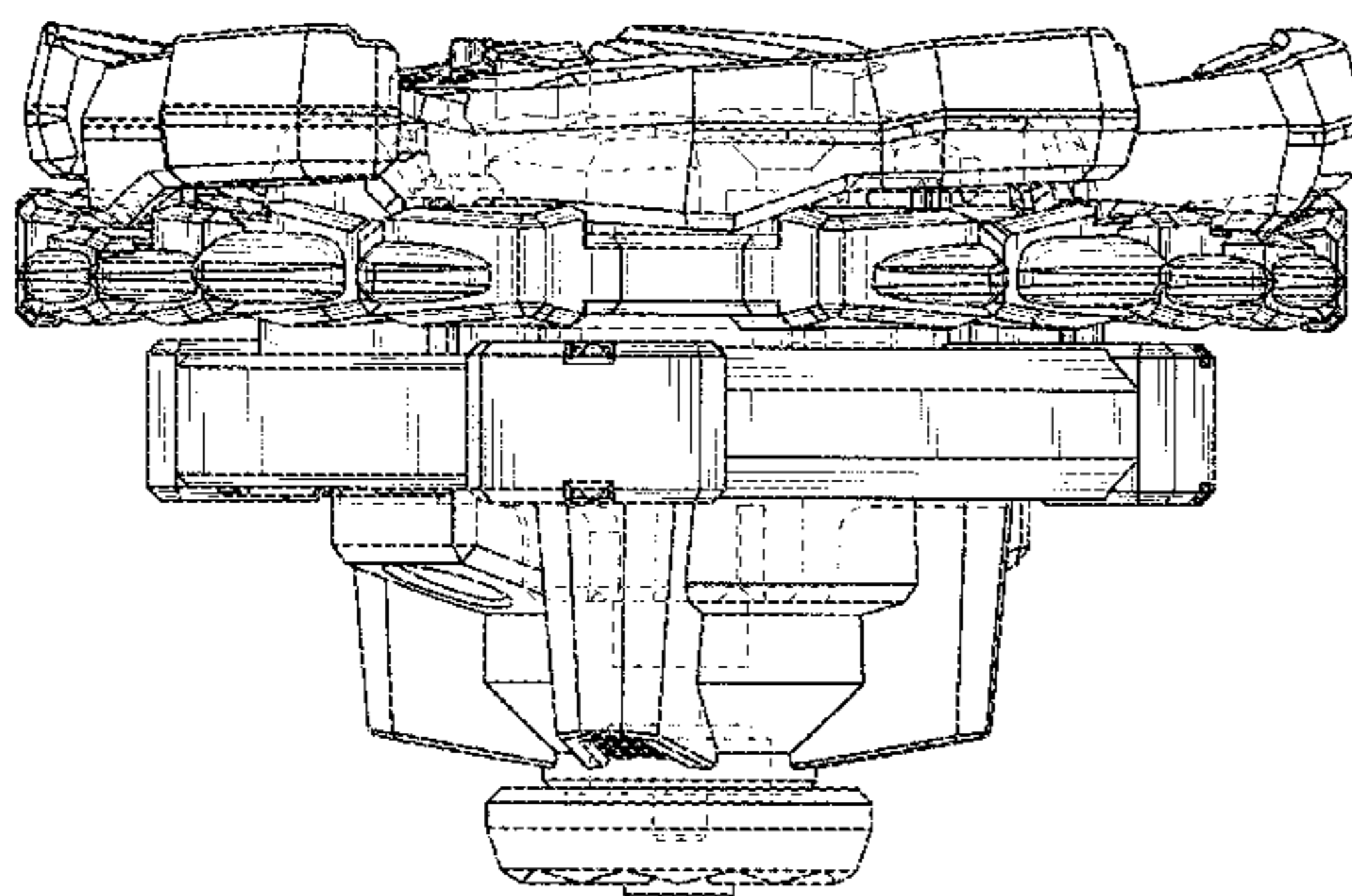
FIG. 16 is a perspective view corresponding to FIG. 7, but showing contour shading to the exterior parts and with the interior parts omitted for clarity of disclosure;

FIG. 17 is front elevational view corresponding to FIG. 8, but showing contour shading to the exterior parts and with the interior parts omitted for clarity of disclosure; and,

FIG. 18 is a top plan view corresponding to FIG. 9, but showing contour shading.

The portions of the spinning top toy shown in broken lines form no part of the claimed design.

1 Claim, 18 Drawing Sheets



(58) **Field of Classification Search**

CPC A63H 1/00-32; A63F 9/16
See application file for complete search history.

(56) **References Cited**

U.S. PATENT DOCUMENTS

D629,847 S * 12/2010 Ujita D21/460
D629,848 S * 12/2010 Ujita D21/460
D639,348 S * 6/2011 Ujita D21/460
D665,859 S * 8/2012 Horikoshi D21/460
D666,252 S * 8/2012 Ujita D21/460
D666,253 S * 8/2012 Ujita D21/460
9,849,393 B2 * 12/2017 Muraki A63H 1/00

FOREIGN PATENT DOCUMENTS

CN 301715351 * 11/2011
CN 302143913 * 10/2012
EM 003047489-0003 * 4/2016
EM 003318252-0005 * 8/2016
EM 003318252-0007 * 8/2016
JP D1538615 * 11/2015

* cited by examiner

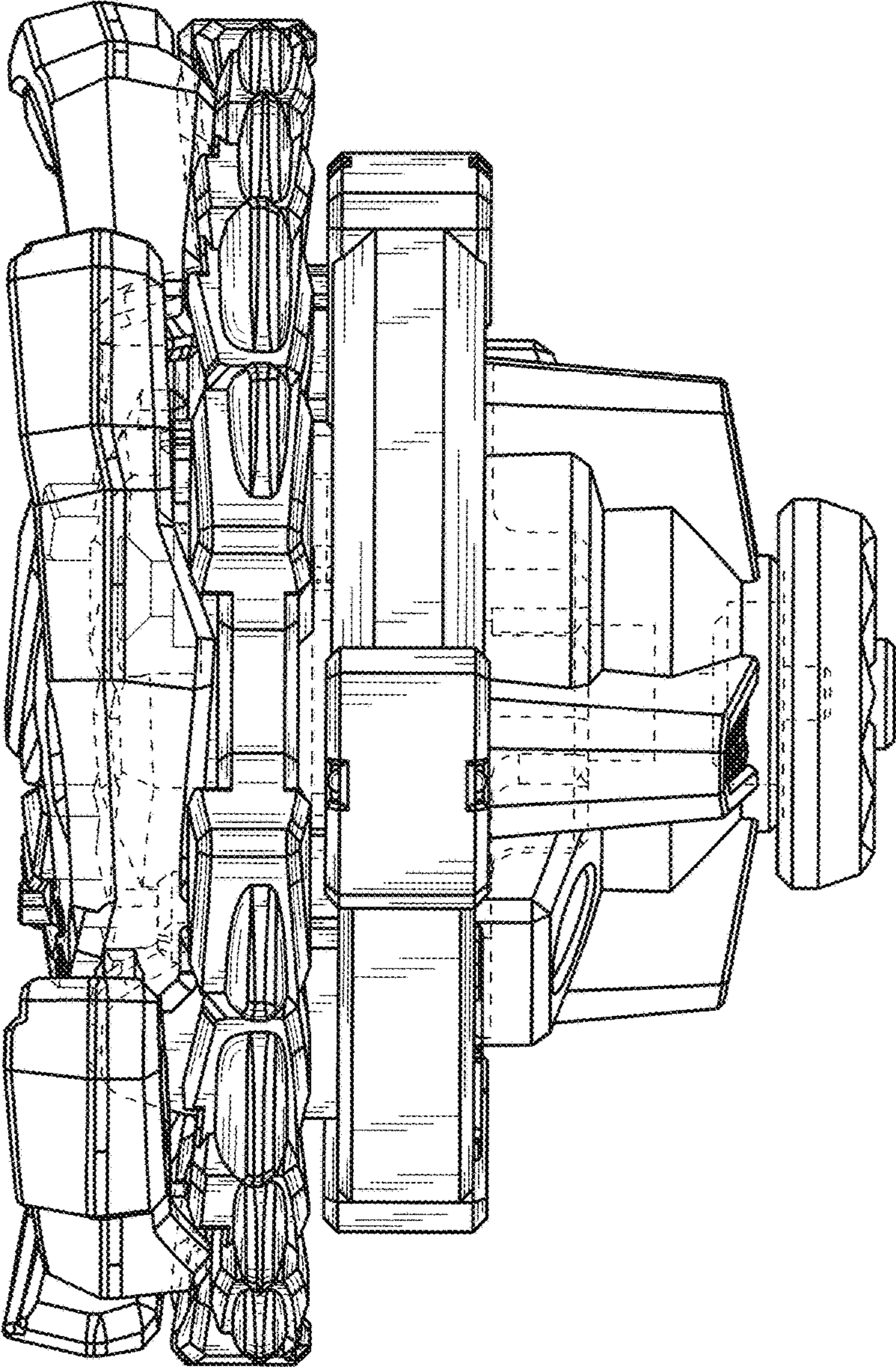


FIG. 1

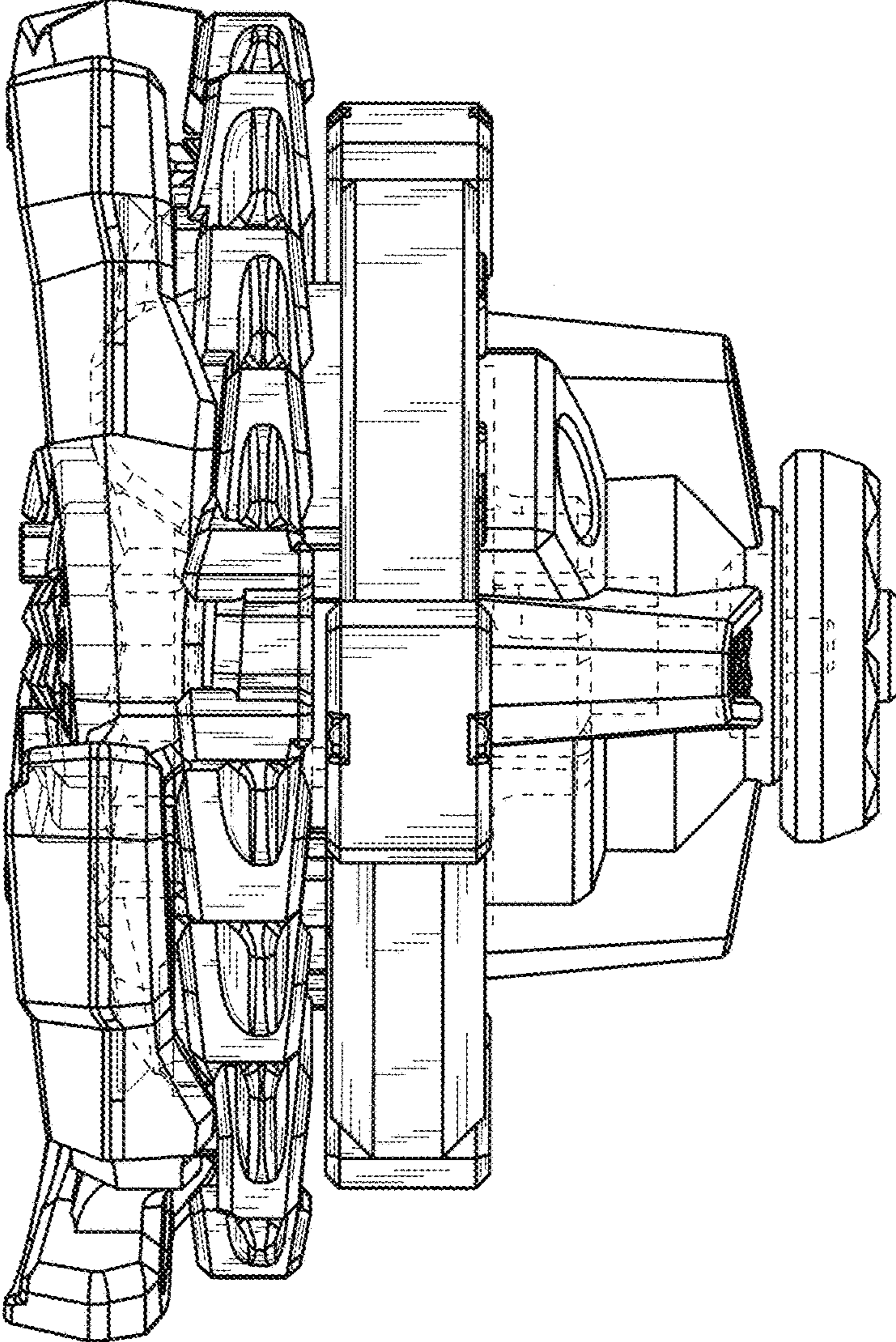


FIG. 2

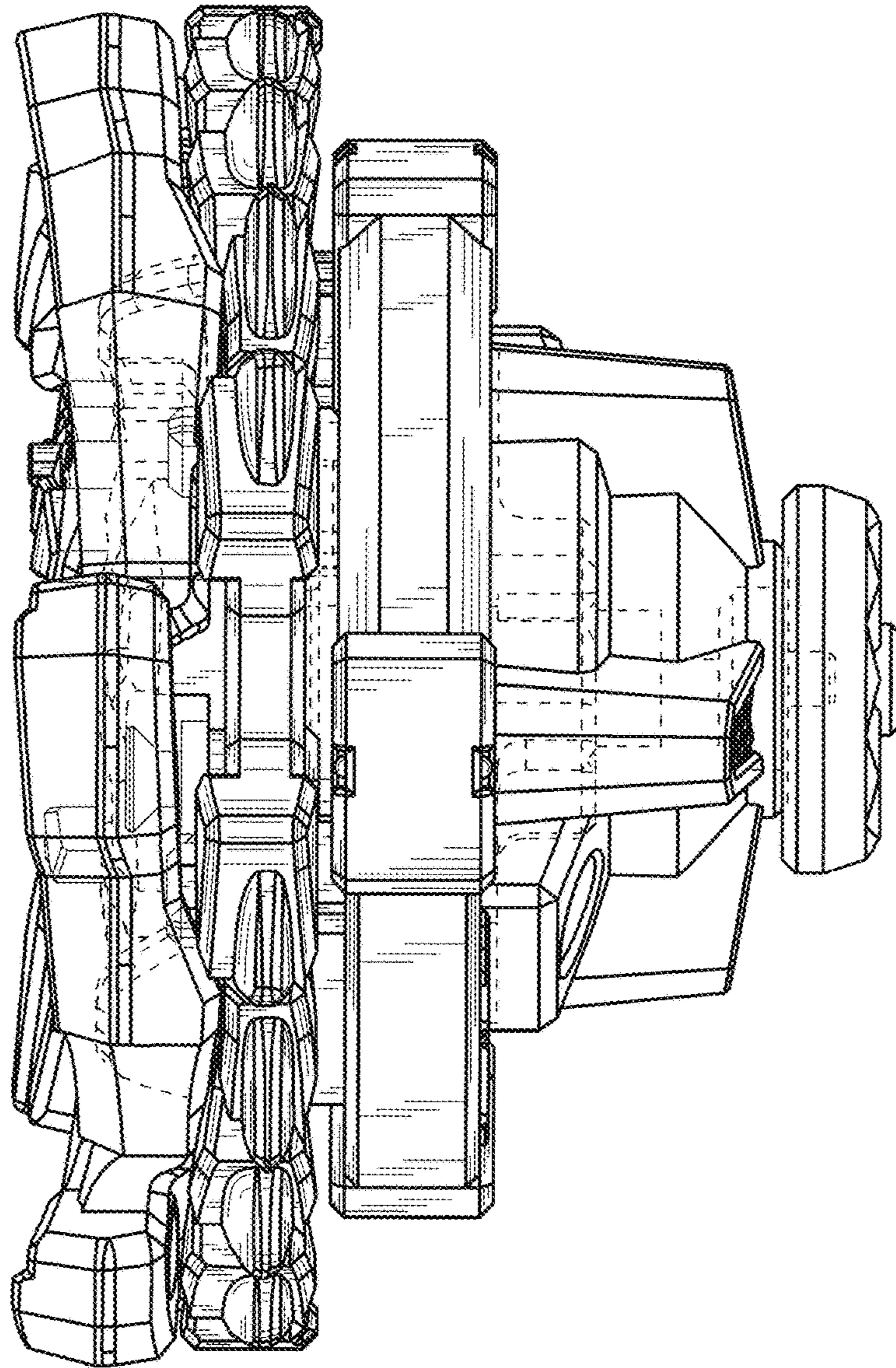


FIG. 3

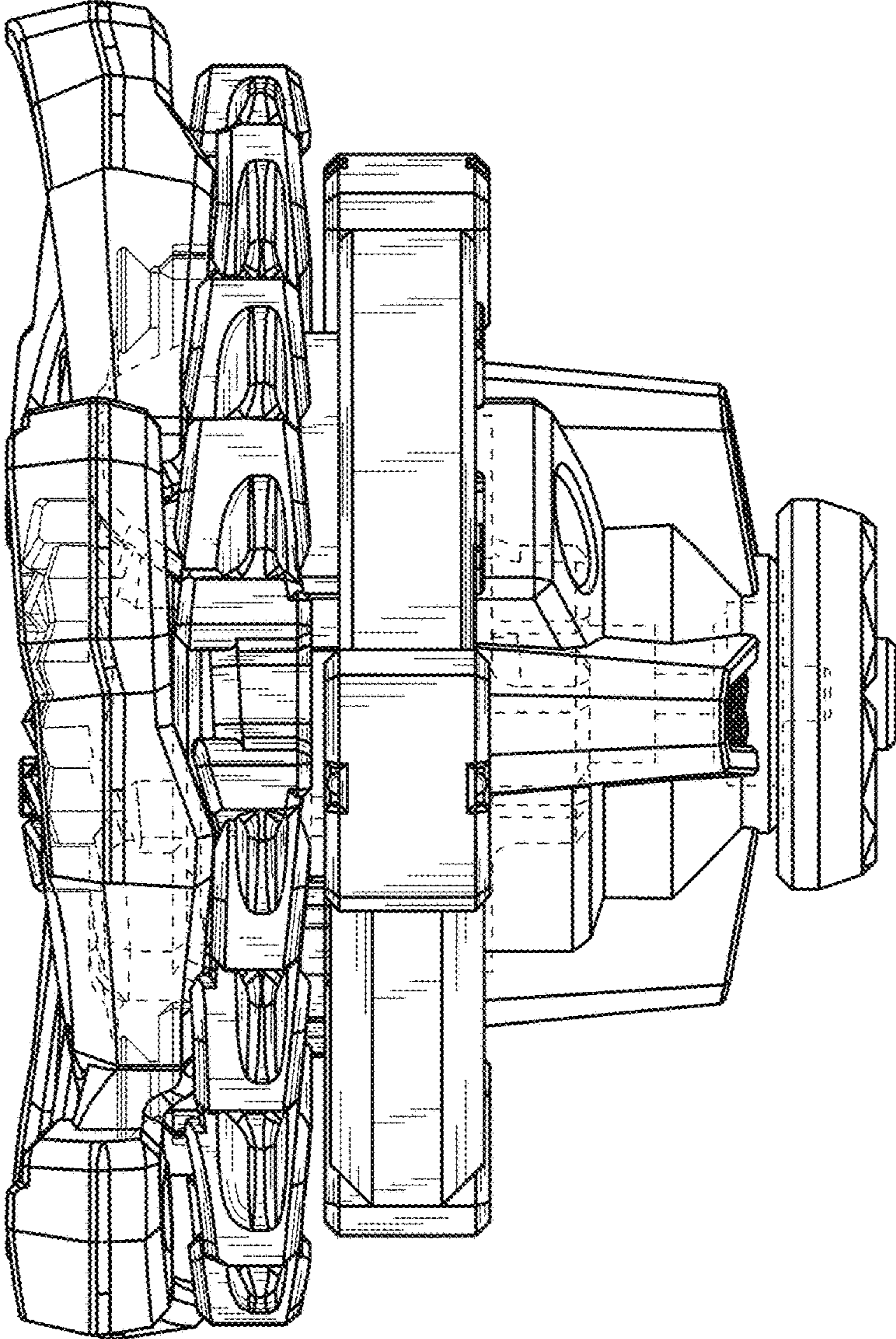


FIG. 4

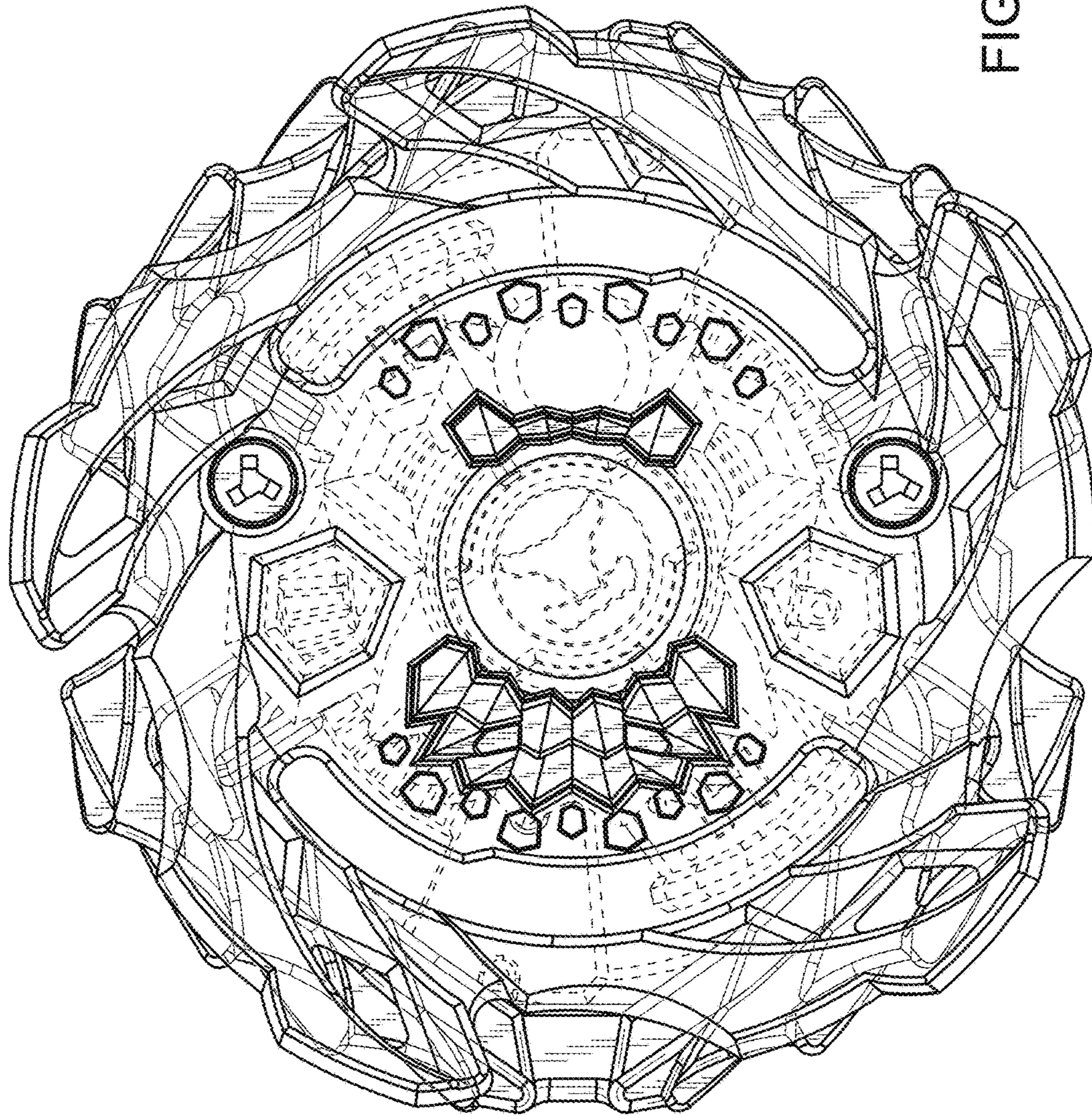


FIG. 5

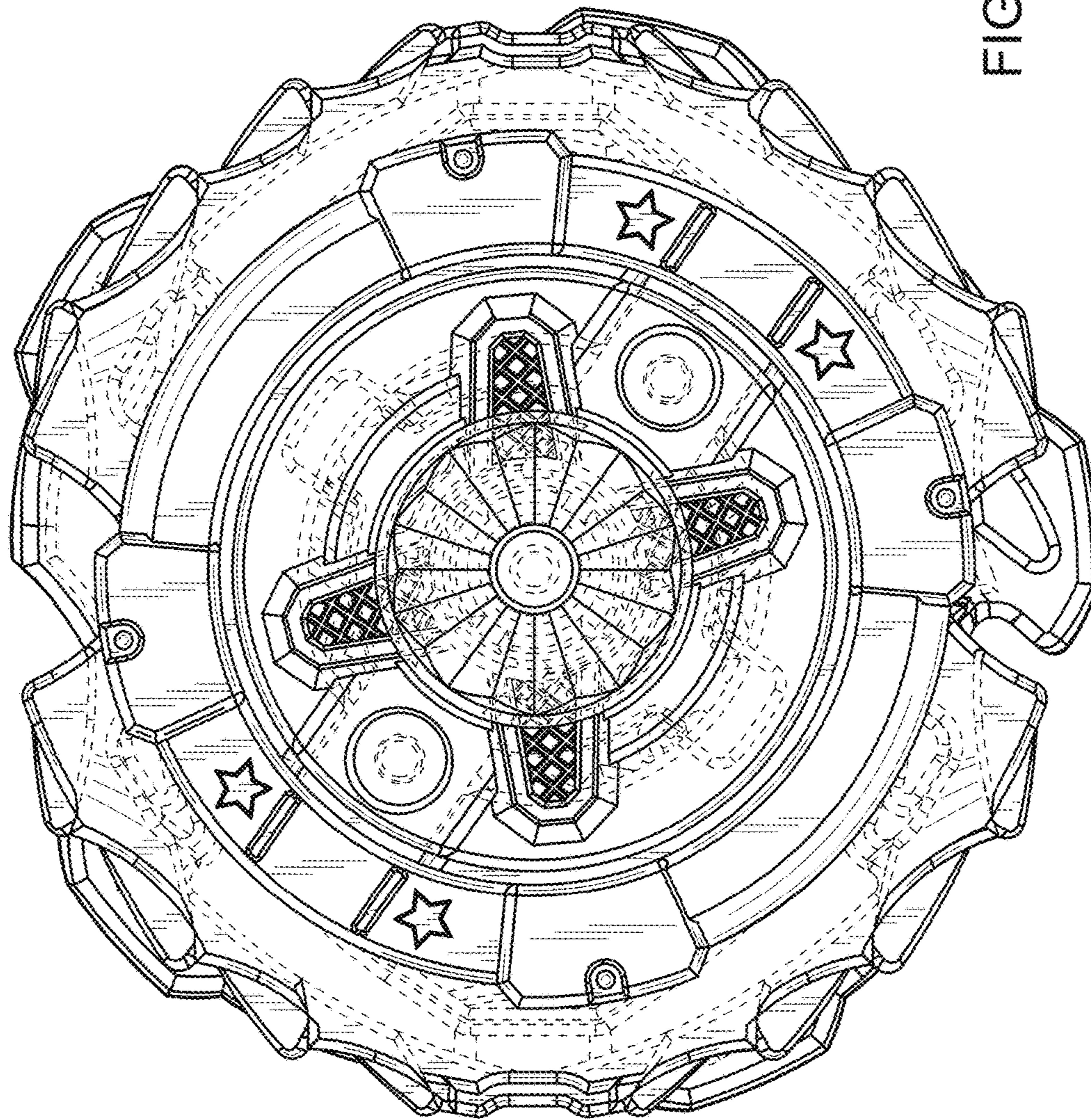


FIG. 6

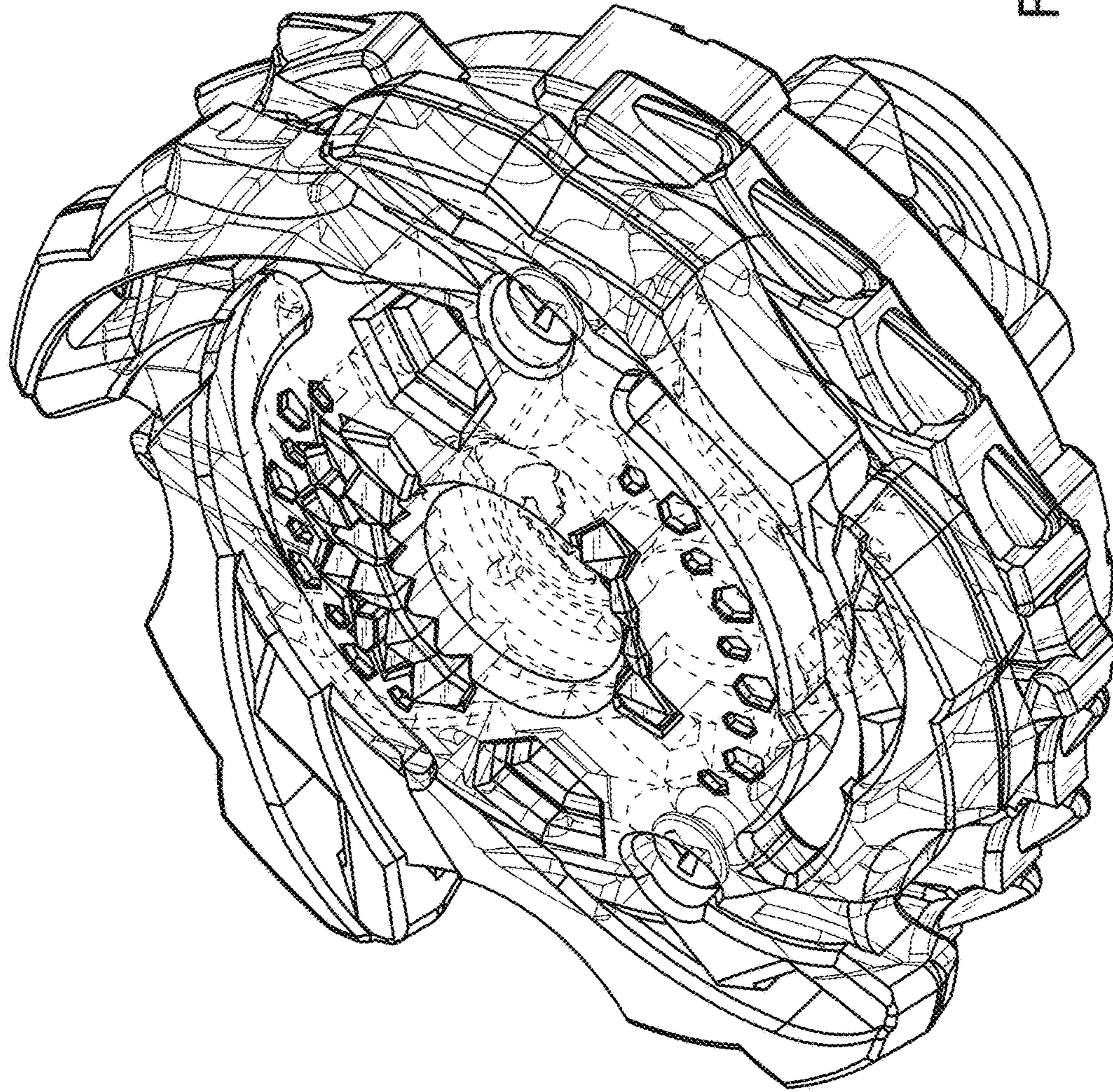


FIG. 7

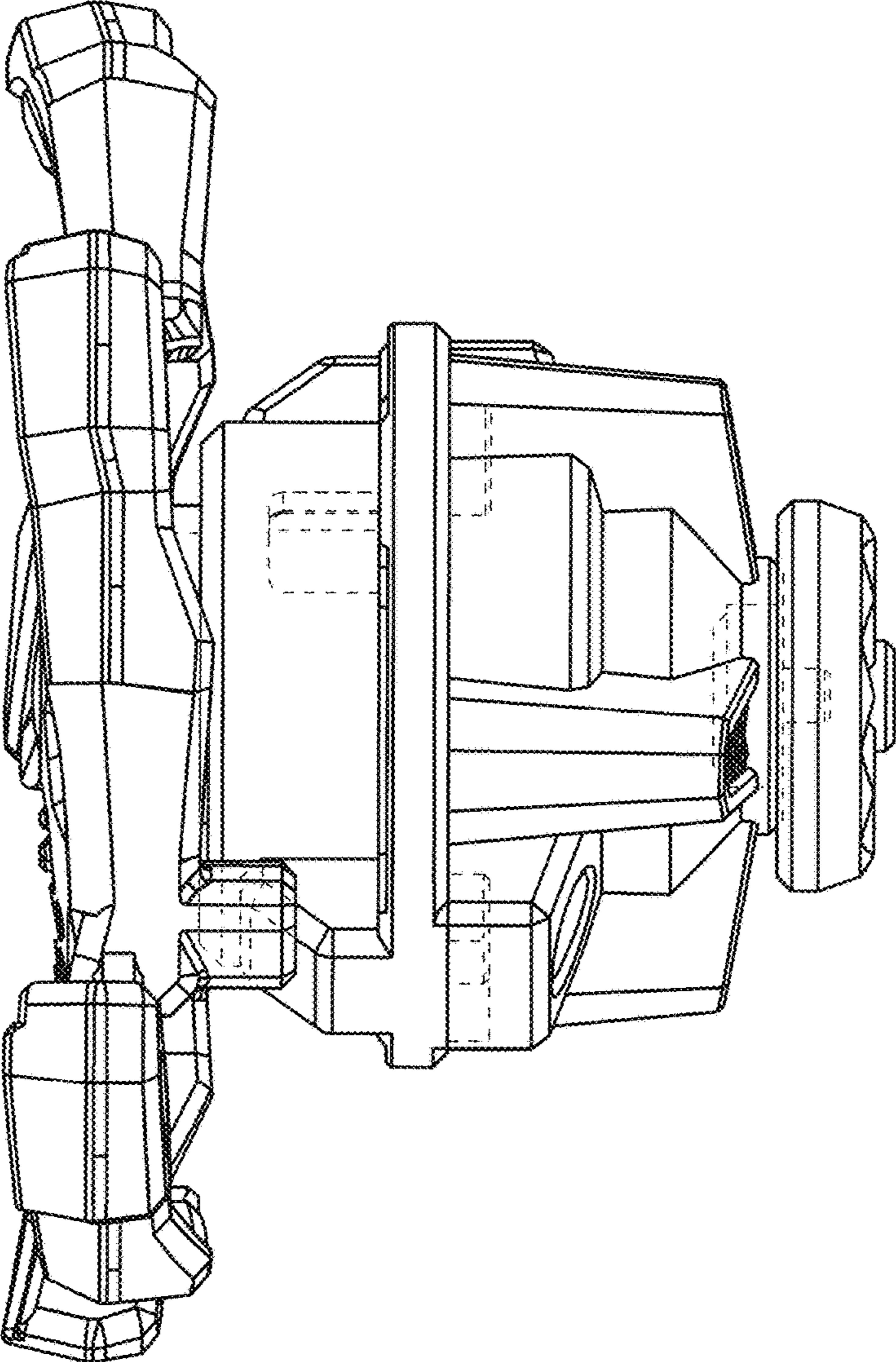


FIG. 8

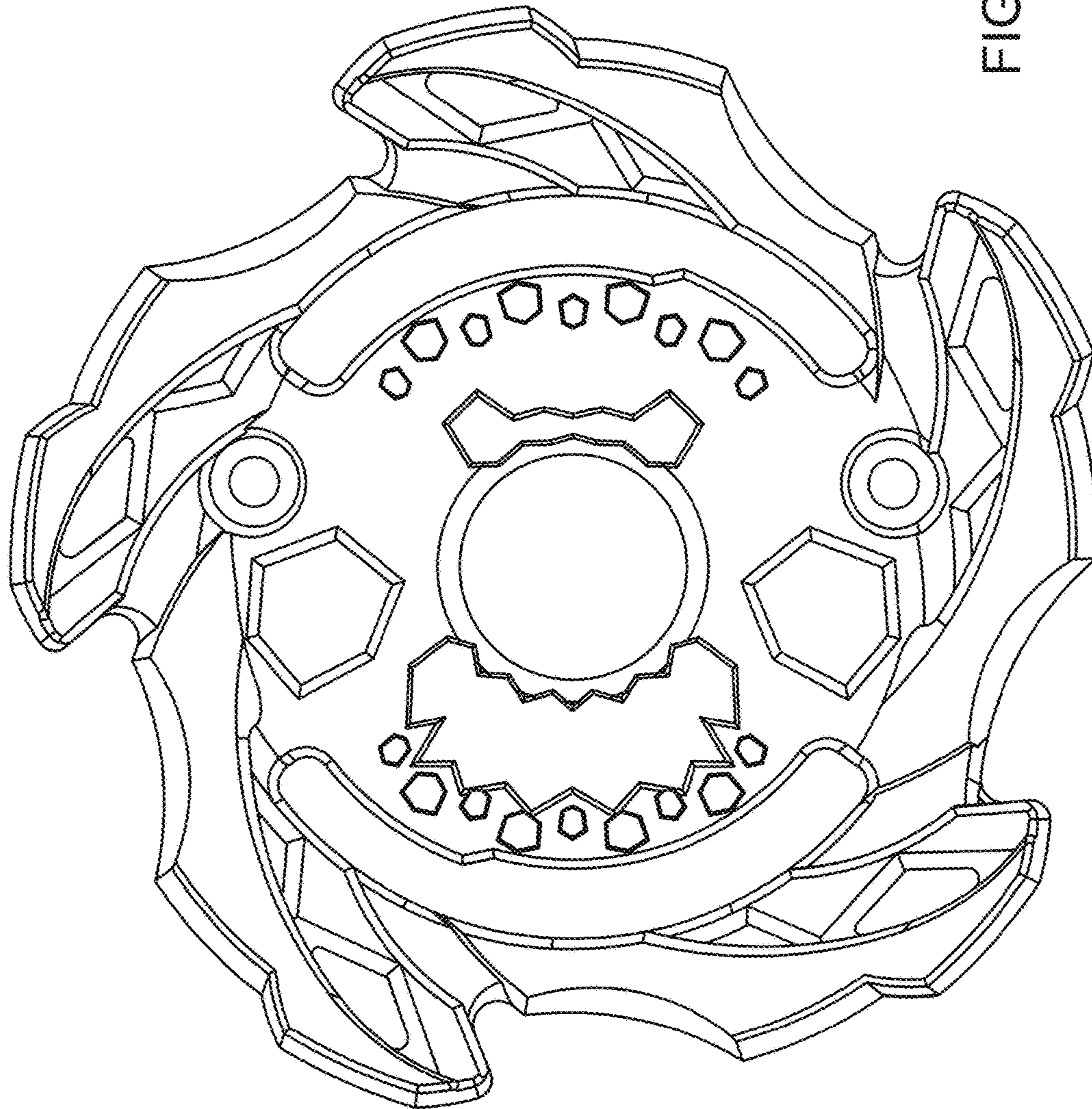


FIG. 9

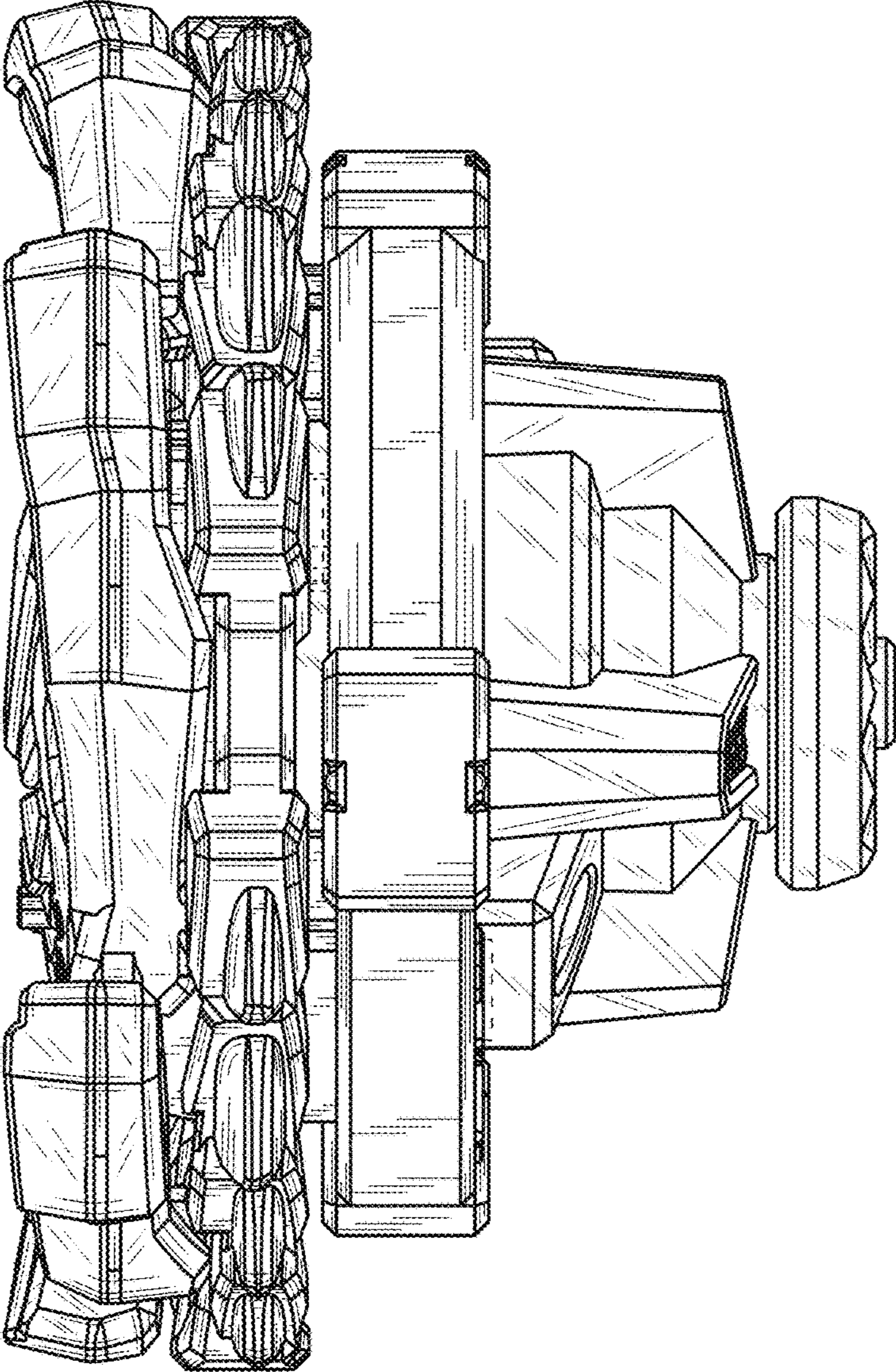


FIG. 10

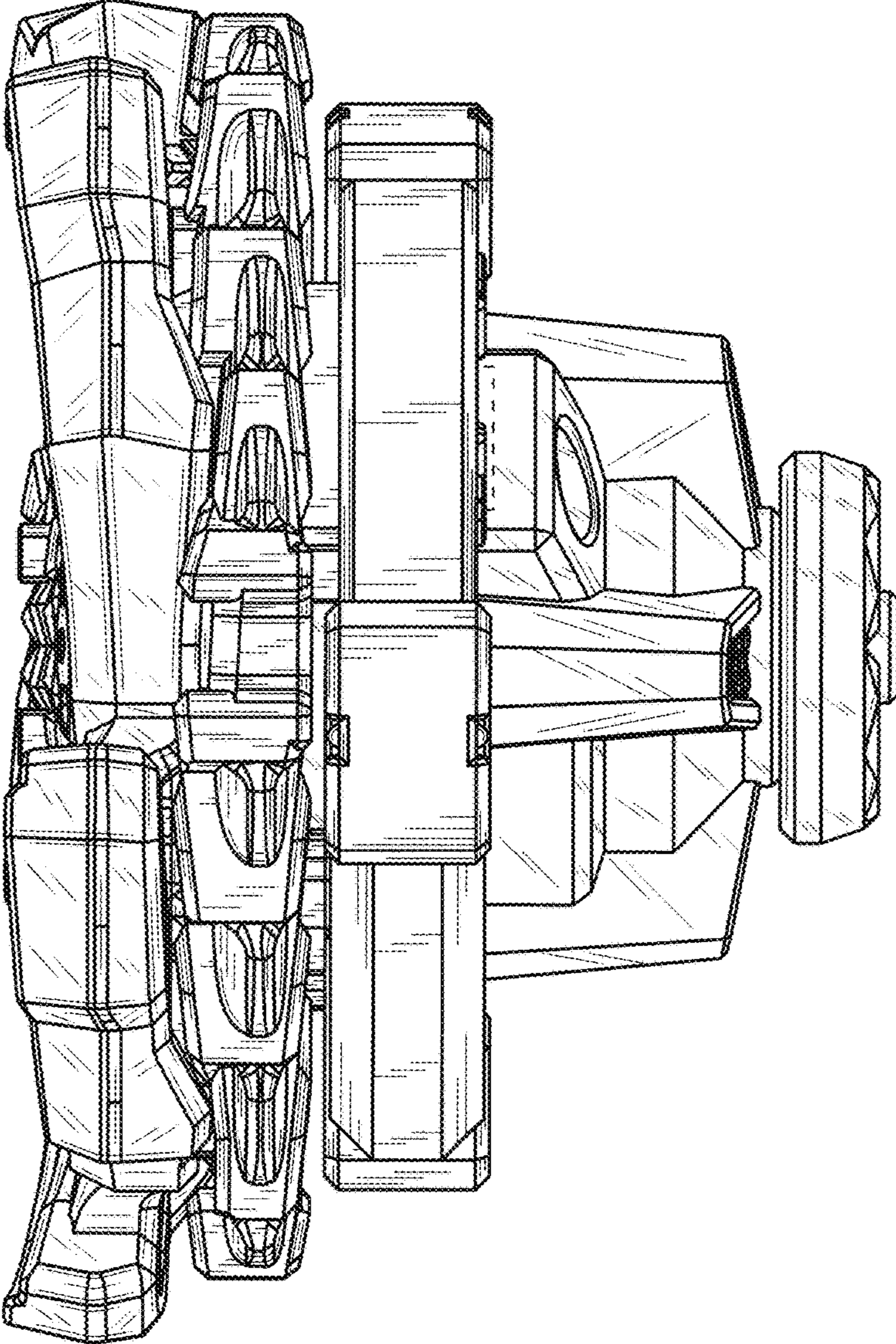


FIG. 11

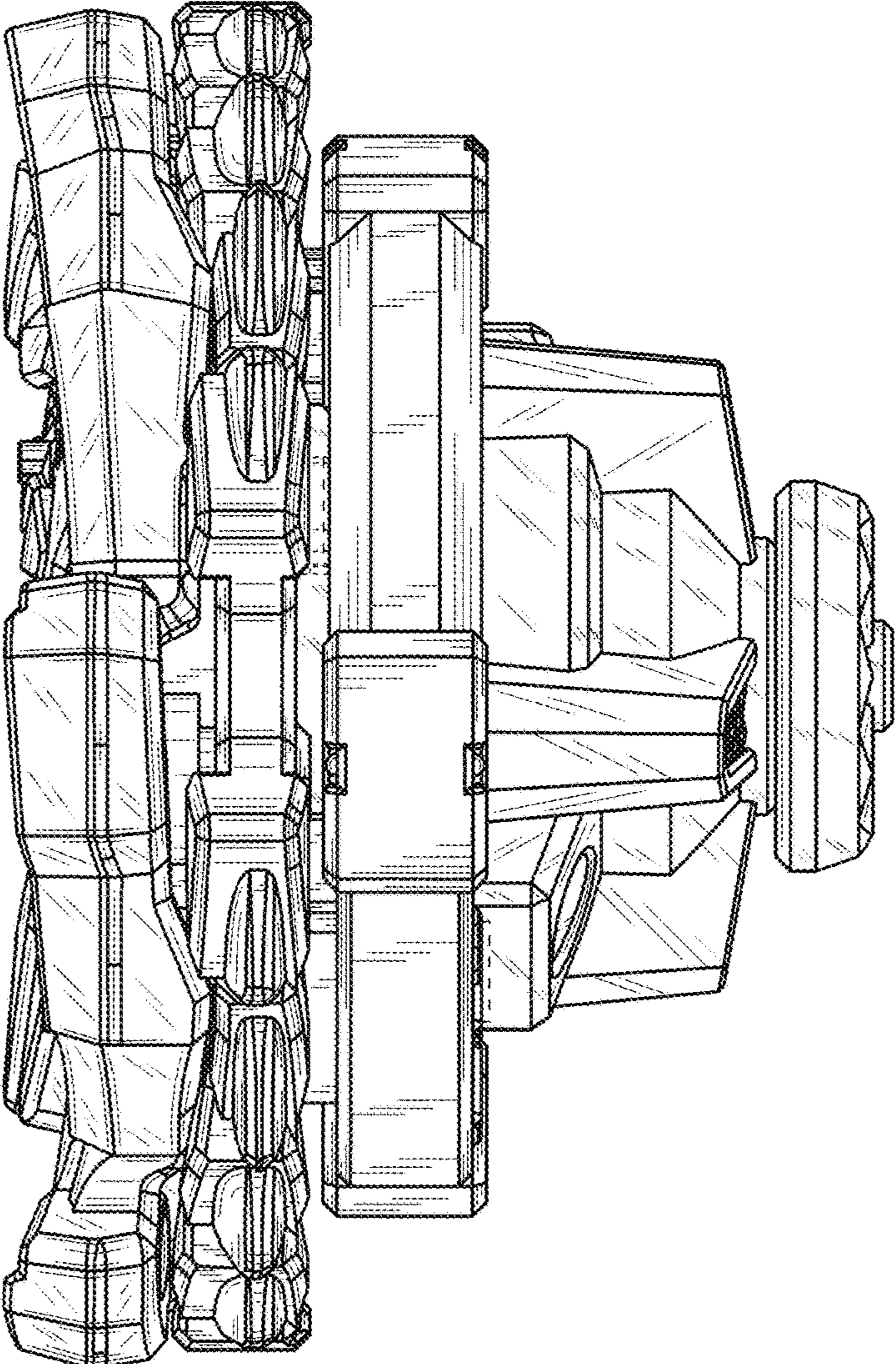


FIG. 12

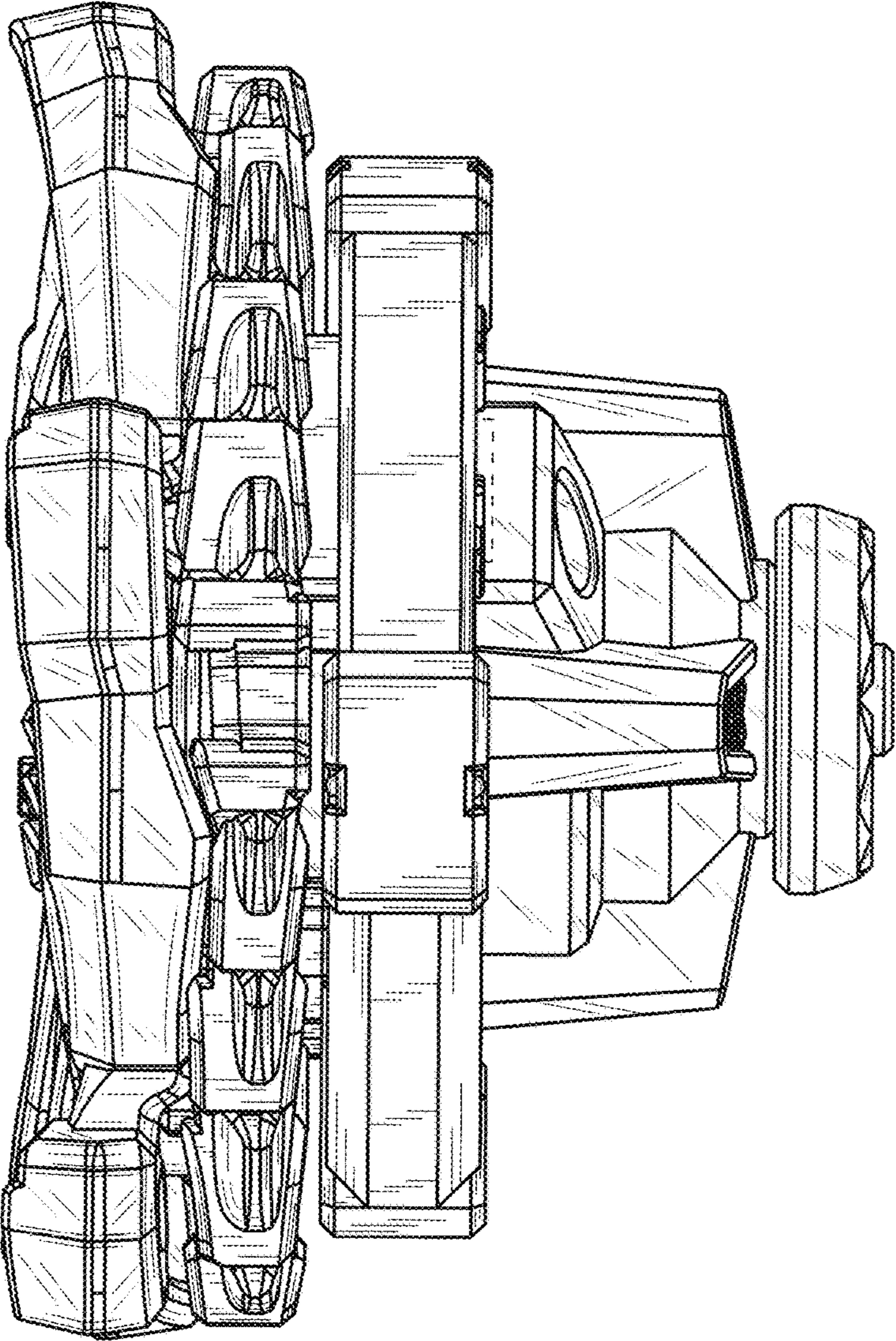


FIG. 13

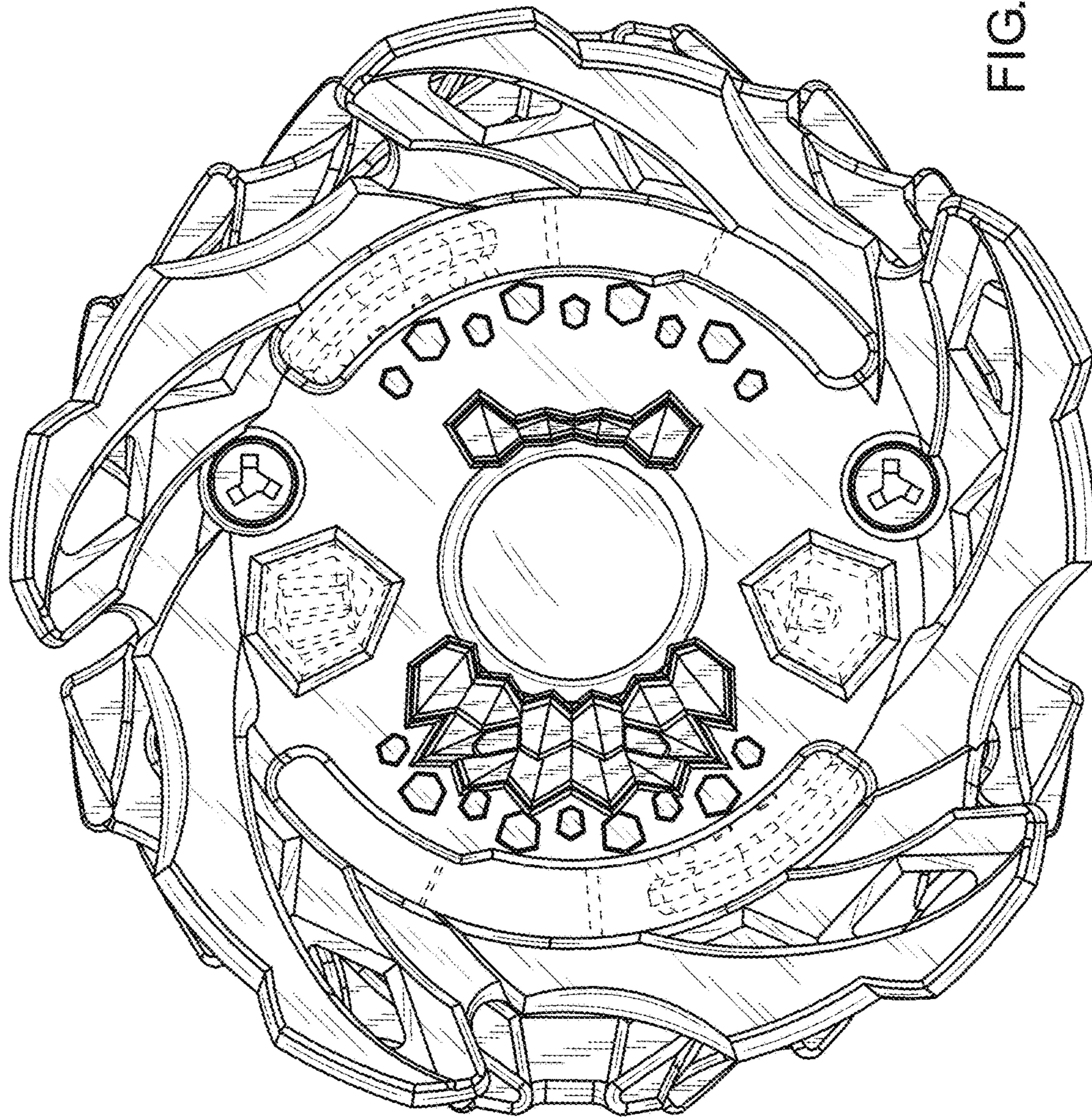


FIG. 14

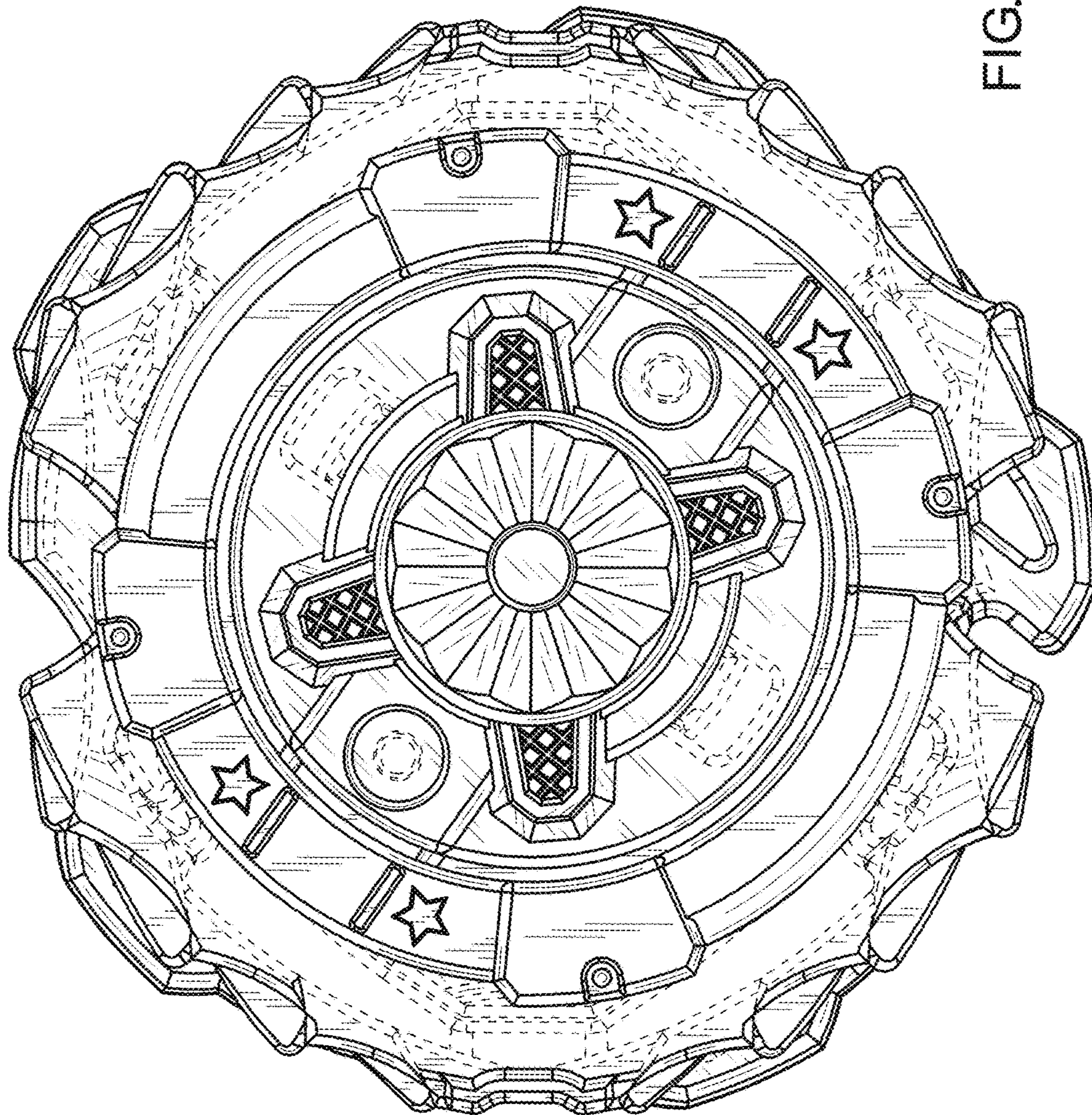


FIG. 15

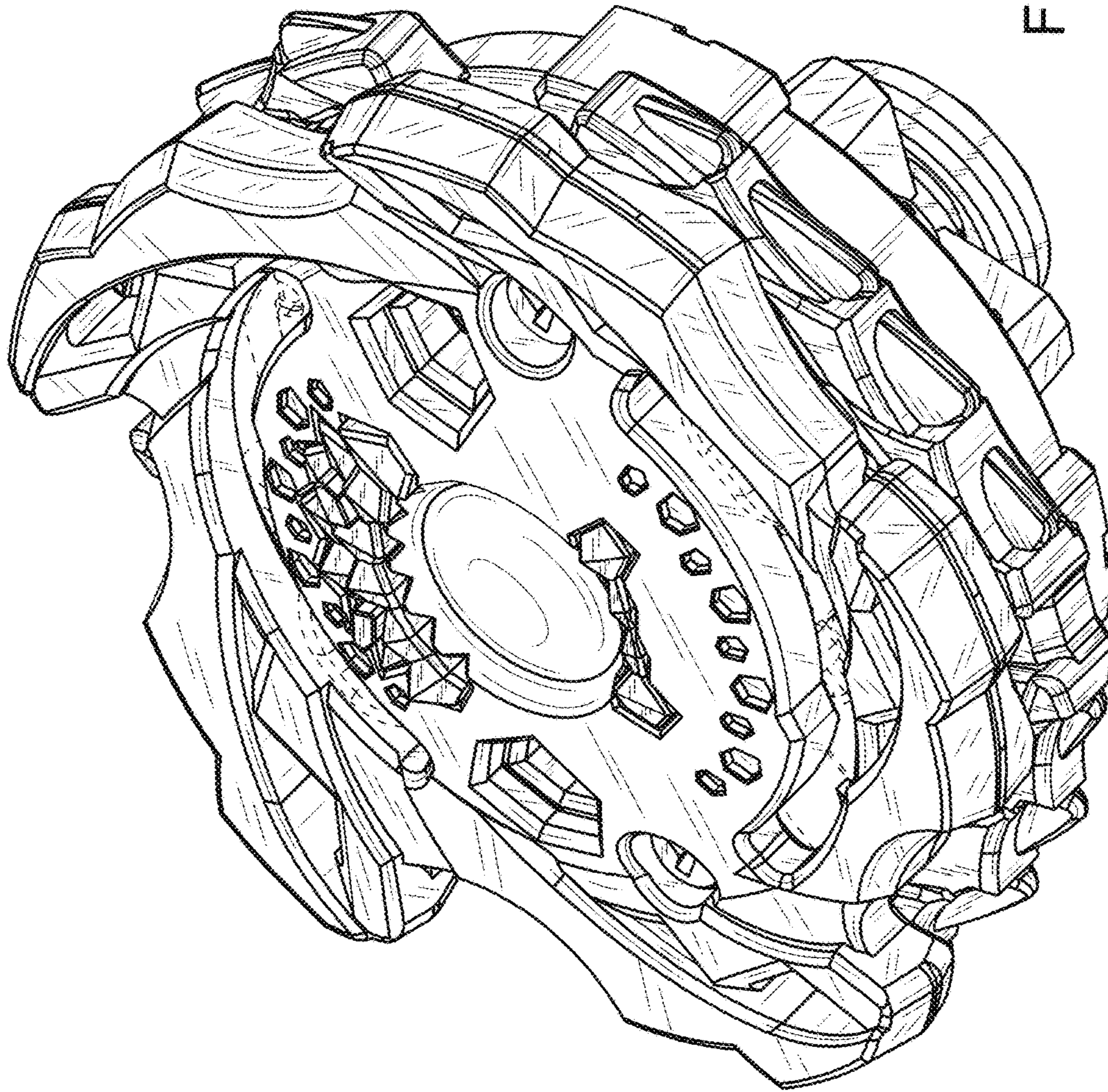


FIG. 16

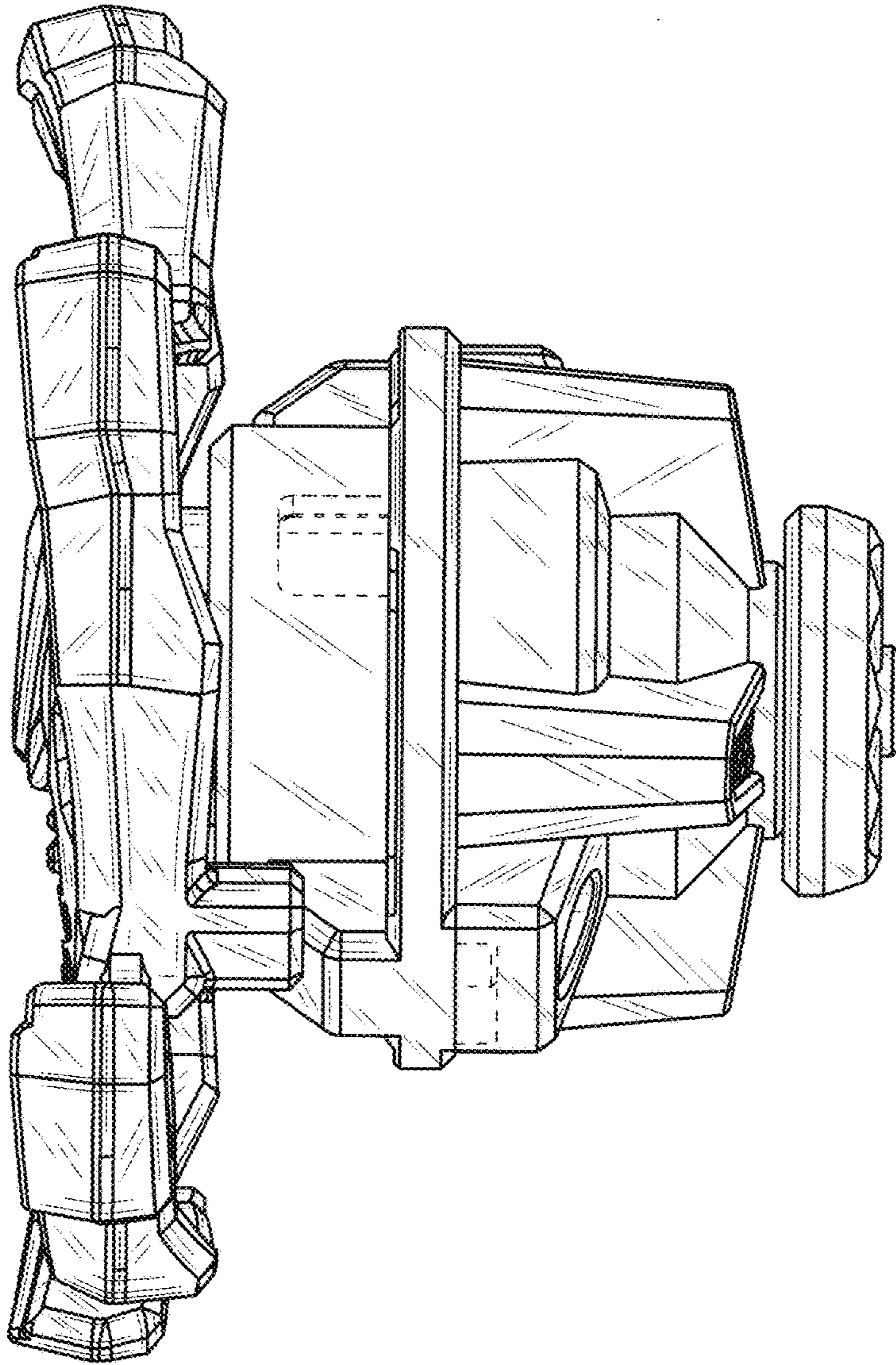


FIG. 17

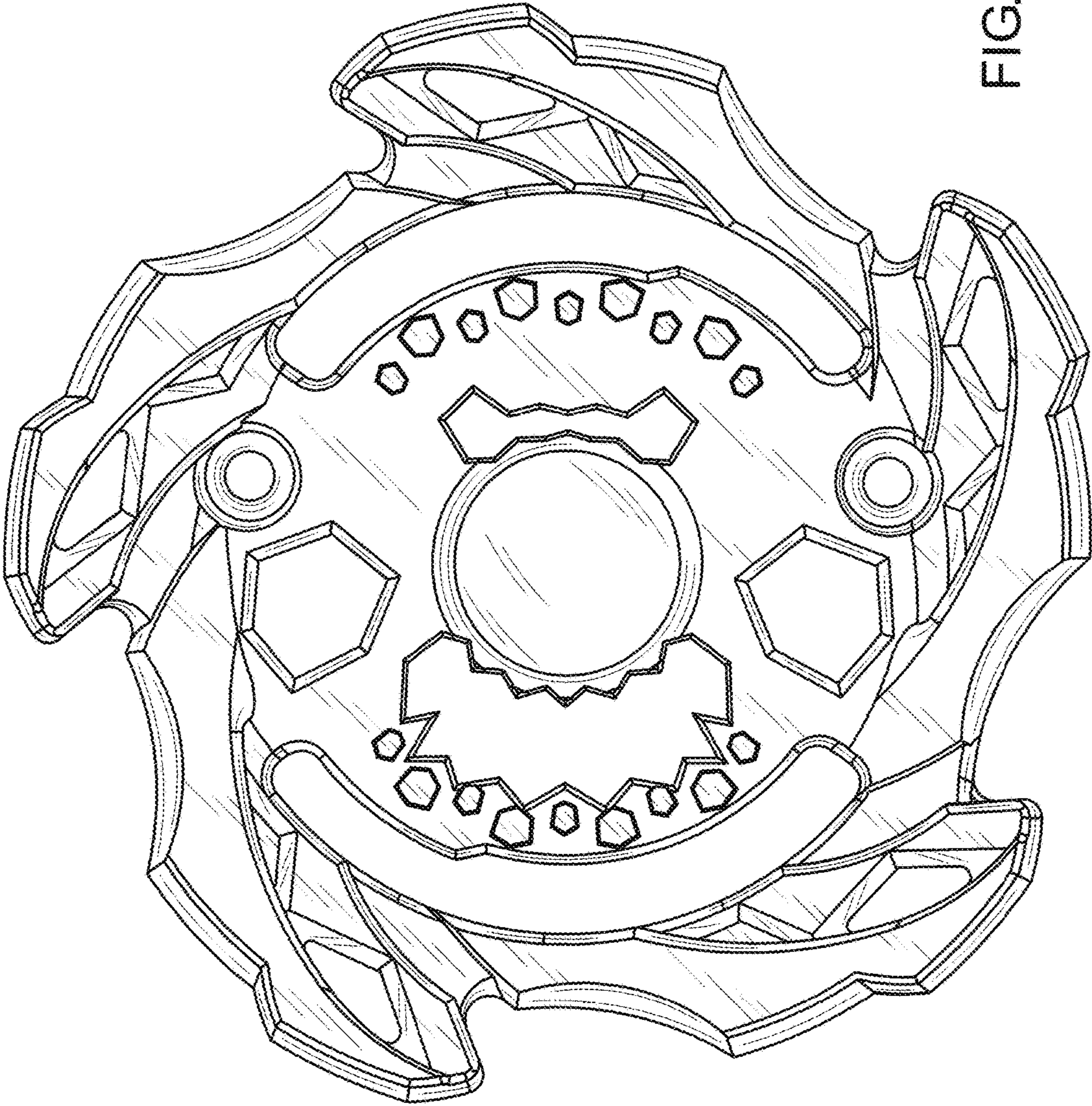


FIG. 18