



US00D855705S

(12) **United States Design Patent** (10) **Patent No.:** **US D855,705 S**  
**Zhao** (45) **Date of Patent:** **\*\* Aug. 6, 2019**

(54) **QUADCOPTER**  
(71) Applicant: **Jianjia Zhao**, Zhangzhou (CN)  
(72) Inventor: **Jianjia Zhao**, Zhangzhou (CN)  
(\*\*) Term: **15 Years**  
(21) Appl. No.: **29/606,671**  
(22) Filed: **Jun. 7, 2017**  
(51) **LOC (12) Cl.** ..... **12-07**  
(52) **U.S. Cl.**  
USPC ..... **D21/436; D12/16.1**  
(58) **Field of Classification Search**  
USPC ..... D12/16.1, 319, 325, 326, 327, 328,  
D12/329-345; D21/436, 441, 442, 443,  
D21/444, 445-453  
CPC ..... B64C 39/024; B64C 2201/141; B64C  
2201/00; B64C 2201/108  
See application file for complete search history.

D798,963 S \* 10/2017 Xiao ..... D21/441  
D800,016 S \* 10/2017 Huang ..... D12/16.1  
D808,301 S \* 1/2018 Goldy ..... D12/16.1  
D814,385 S \* 4/2018 Zhao ..... D12/328  
D825,669 S \* 8/2018 Tompkin ..... D21/441  
2014/0117149 A1\* 5/2014 Zhou ..... A63H 27/12  
244/17.23  
2017/0043869 A1\* 2/2017 Howard ..... B64C 39/024  
2017/0144753 A1\* 5/2017 Yu ..... B64C 39/024  
2017/0285661 A1\* 10/2017 Harada ..... G05D 1/101  
2018/0002023 A1\* 1/2018 Tian ..... B64D 13/006

\* cited by examiner

*Primary Examiner* — Marissa J Cash

(57) **CLAIM**

The ornamental design for a quadcopter, as shown and described.

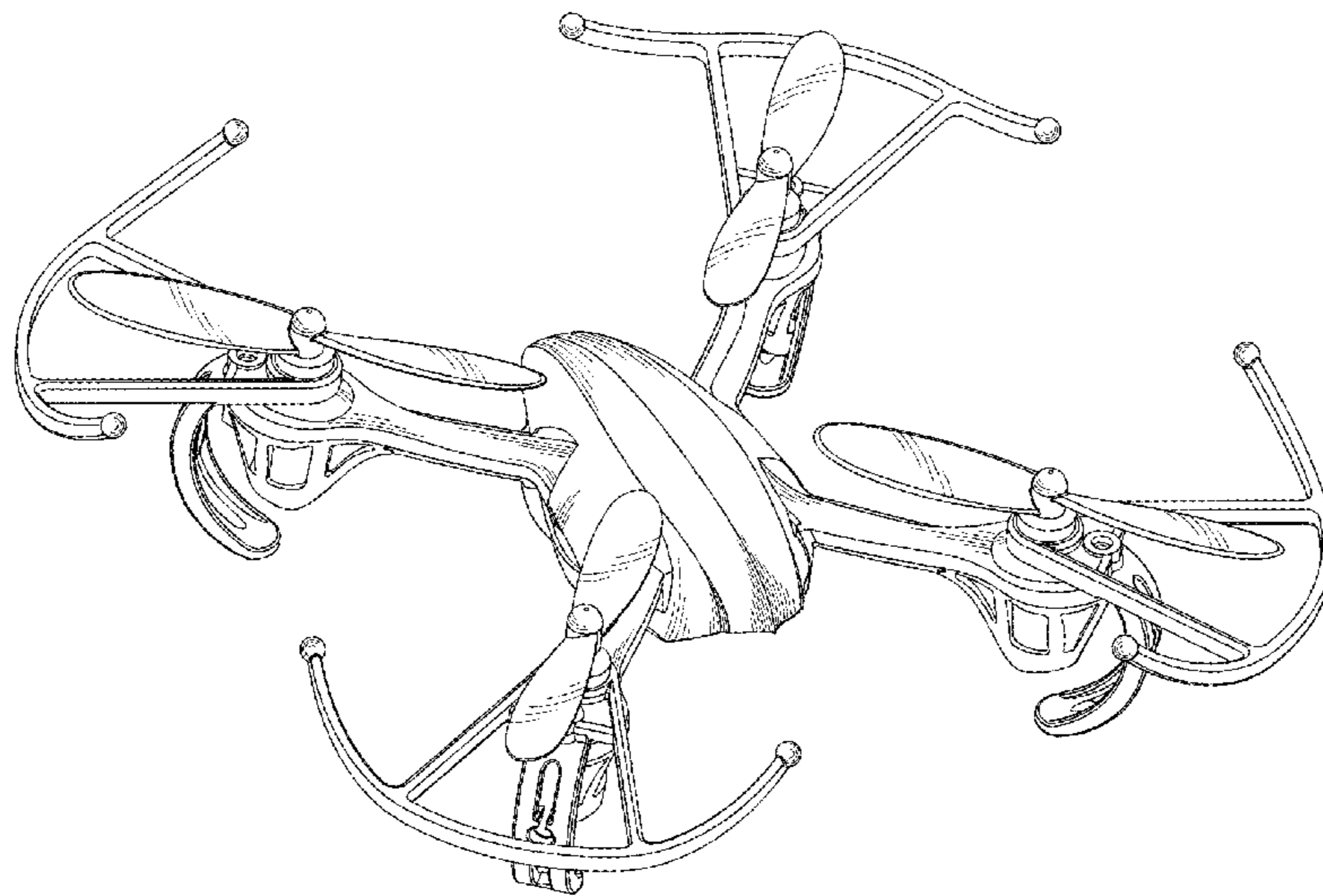
**DESCRIPTION**

FIG. 1 is a front elevational view of quadcopter showing my new design;  
FIG. 2 is a rear elevational view thereof;  
FIG. 3 is a left side elevational view thereof;  
FIG. 4 is a right side elevational view thereof;  
FIG. 5 is a top plan view thereof;  
FIG. 6 is a bottom plan view thereof; and,  
FIG. 7 is a front perspective view thereof.  
The broken lines in the drawings depict portions of the quadcopter that form no part of the claimed design.

**1 Claim, 7 Drawing Sheets**

(56) **References Cited**  
U.S. PATENT DOCUMENTS

D741,751 S \* 10/2015 Klaptocz ..... D12/16.1  
D756,842 S \* 5/2016 Ashjaee ..... D12/16.1  
D767,043 S \* 9/2016 Morrison ..... D12/16.1  
D768,540 S \* 10/2016 Ji ..... D12/16.1  
D783,727 S \* 4/2017 Xiao ..... D21/441  
D785,717 S \* 5/2017 Xiao ..... D21/441  
D793,482 S \* 8/2017 Wang ..... D12/16.1  
D797,859 S \* 9/2017 Caubel ..... D21/441  
D798,962 S \* 10/2017 Xiao ..... D21/441



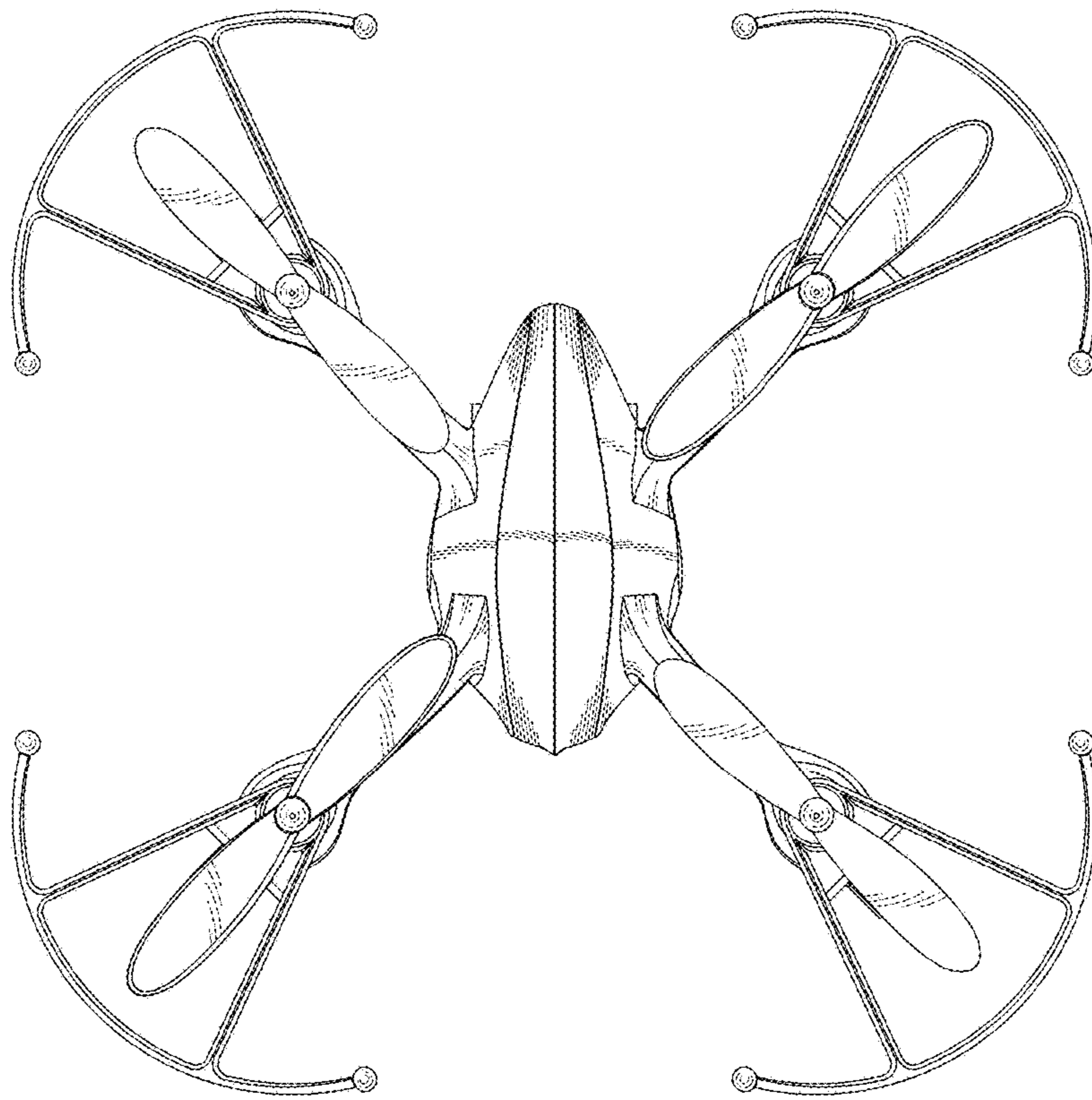


FIG.1

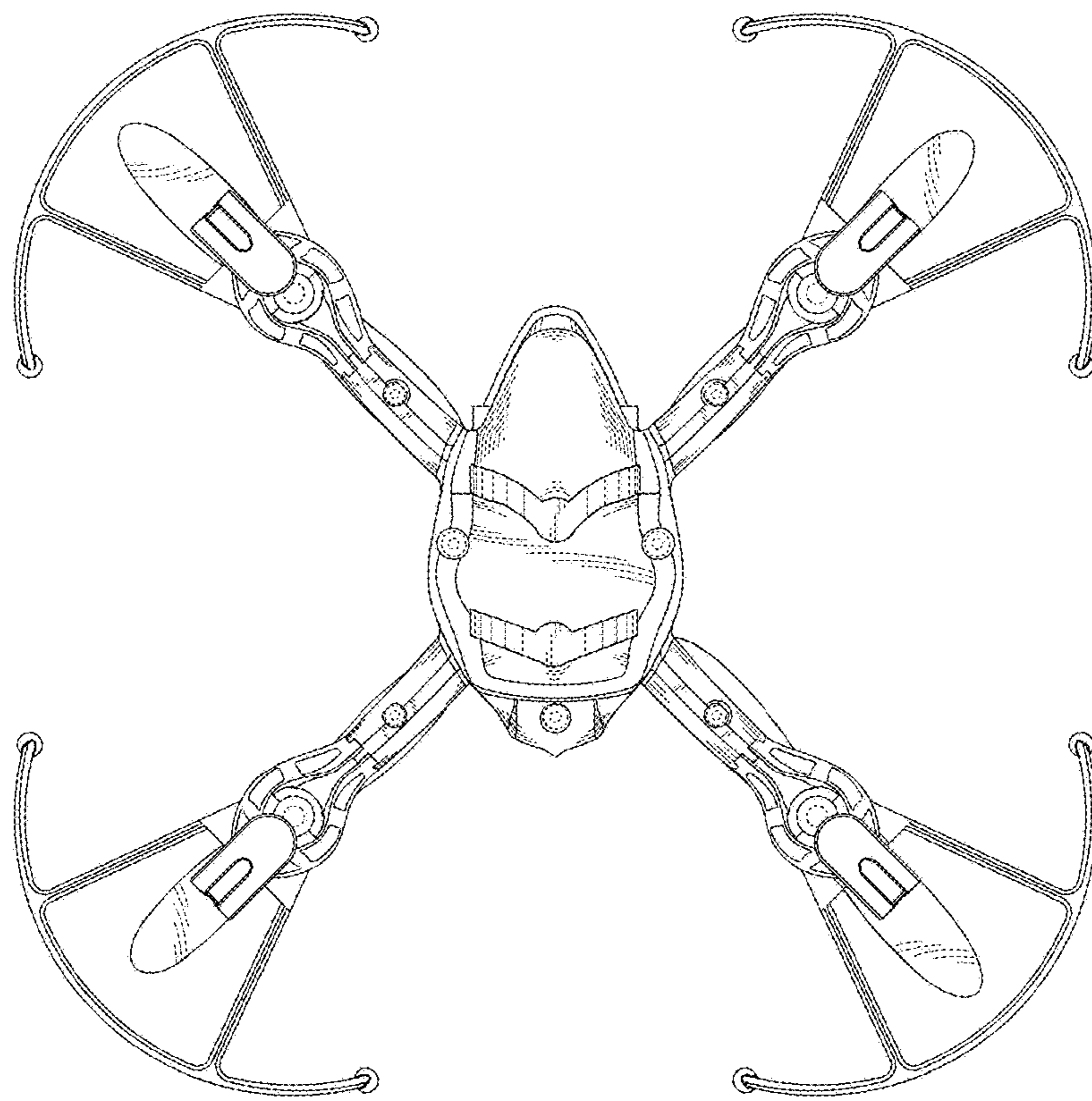


FIG.2

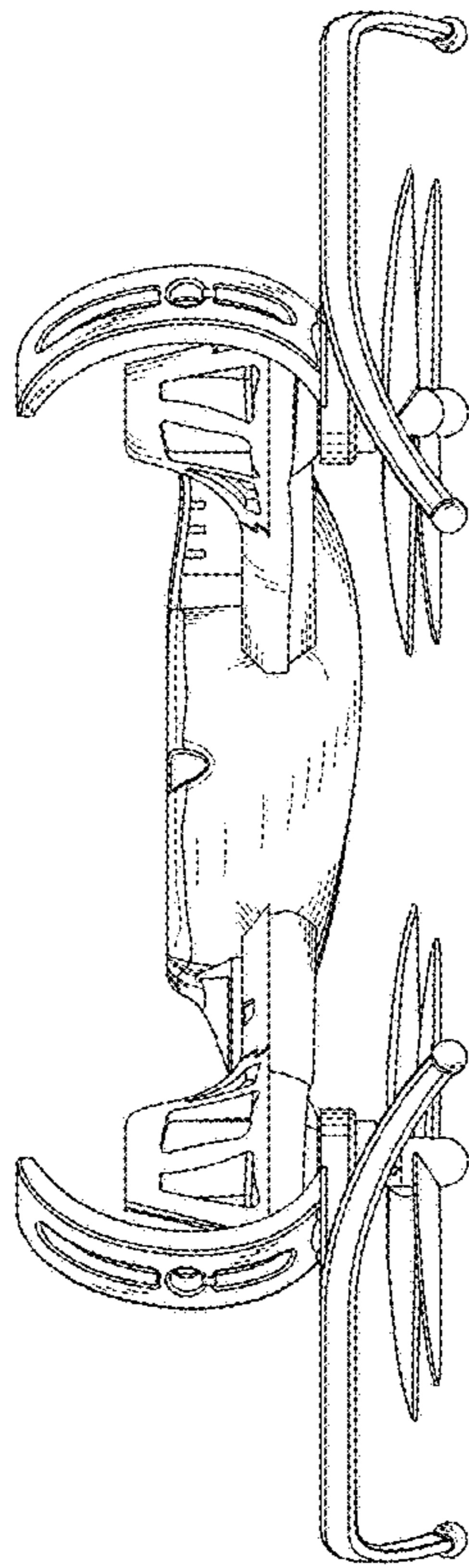


FIG.3

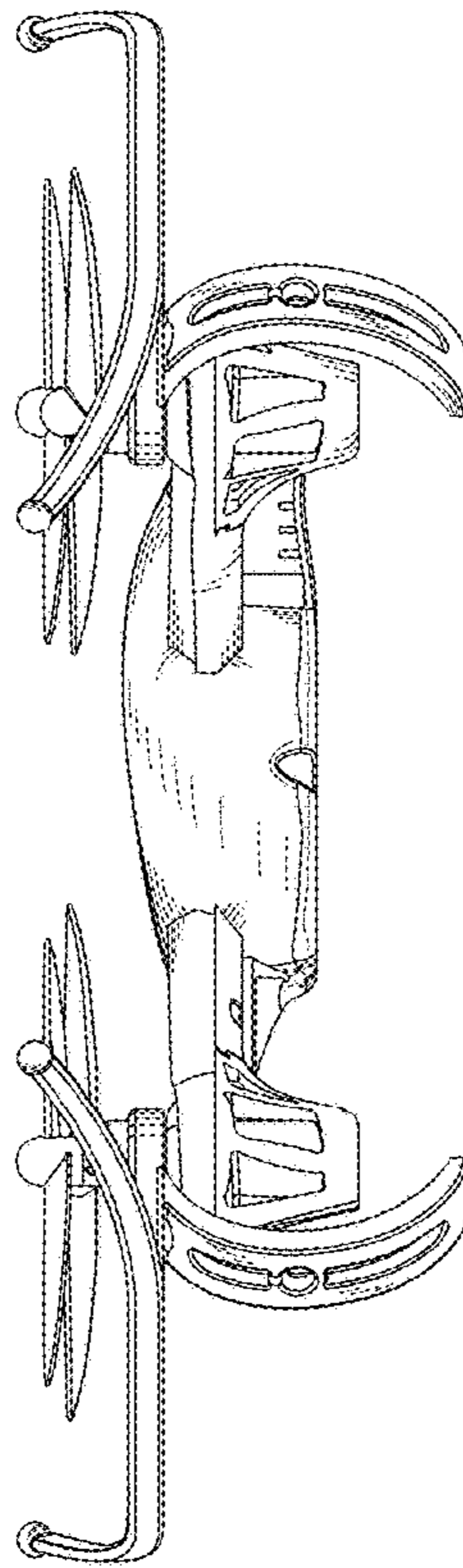


FIG.4

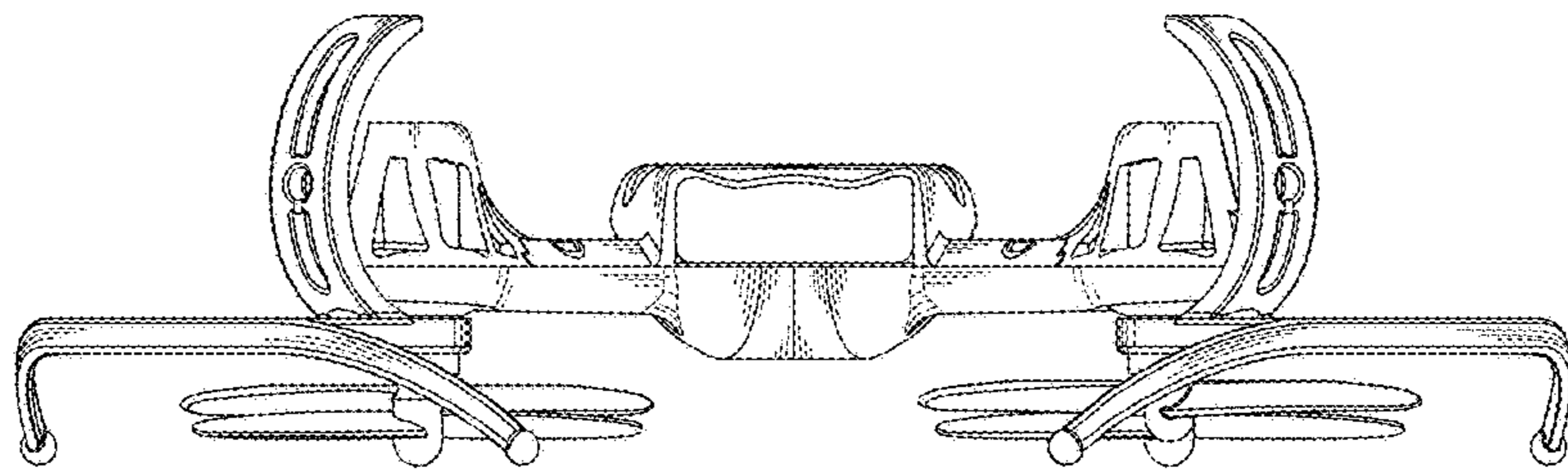


FIG.5

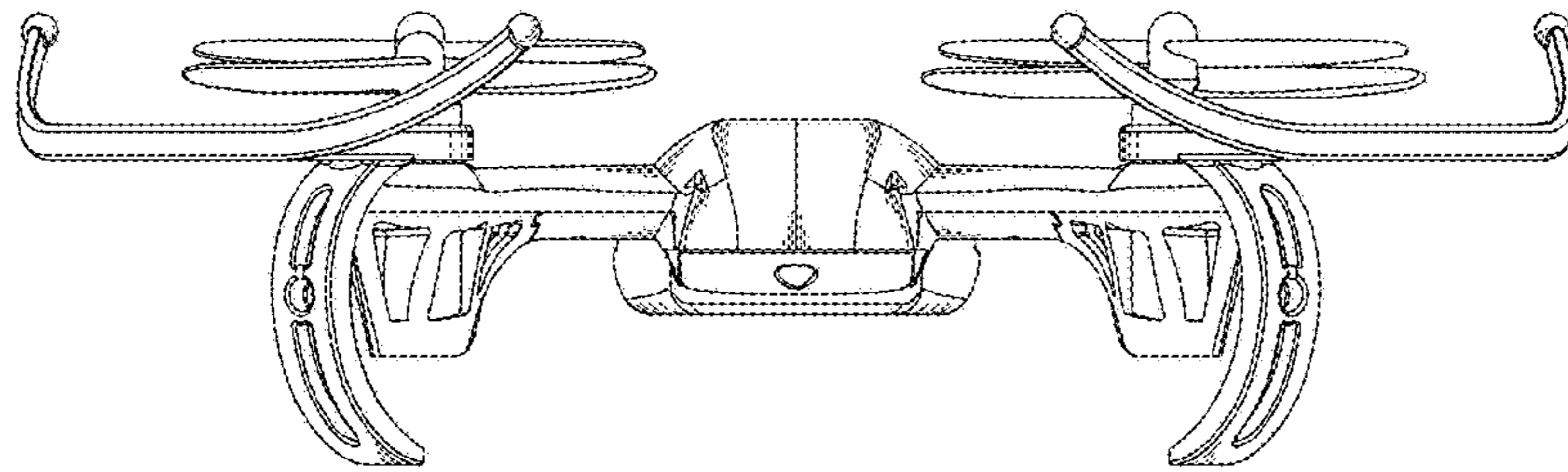


FIG.6

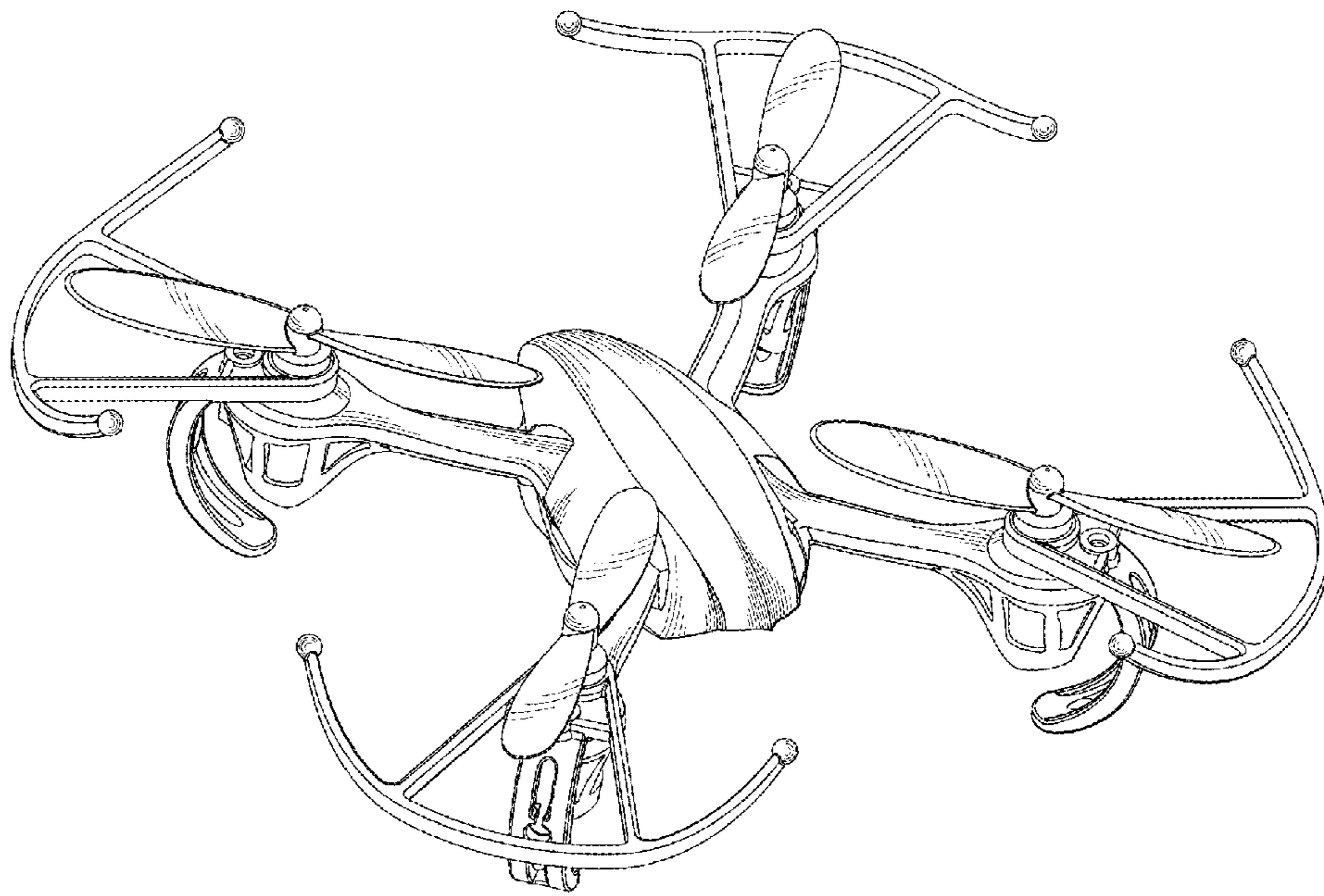


FIG.7