



US00D855704S

(12) **United States Design Patent**
Nino et al.

(10) **Patent No.:** **US D855,704 S**

(45) **Date of Patent:** **** Aug. 6, 2019**

(54) **SPRING DEVICE FOR GYMNASTICS AND SPORTS**

(71) Applicant: **ELMAS S.R.L.**, Gazzaniga (BG) (IT)

(72) Inventors: **Christian Nino**, Lefte (IT); **Giacomo Masserini**, Gazzaniga (IT)

(73) Assignee: **ELMAS S.R.L.**, Gazzaniga (BG) (IT)

(**) Term: **15 Years**

(21) Appl. No.: **29/585,962**

(22) Filed: **Nov. 30, 2016**

(30) **Foreign Application Priority Data**

May 31, 2016 (EM) 003164326

(51) **LOC (12) Cl.** **21-01**

(52) **U.S. Cl.**
USPC **D21/412; D21/413; D21/698; D21/797;**
D2/946

(58) **Field of Classification Search**

USPC D21/412-422, 662, 672, 685, 686, 688,
D21/760-762, 771, 698, 797; D2/897,
D2/898, 905, 946; D8/499; D12/159;
D6/718.31; 446/26; 482/77, 79, 121,
482/124; 472/135; 36/7.8, 27
CPC A63B 25/08; A63B 25/10; A43B 13/183;
A43B 13/184

See application file for complete search history.

(56) **References Cited**

U.S. PATENT DOCUMENTS

898,084 A * 9/1908 Backermann A43B 5/18
36/7.8
3,377,722 A 4/1968 Downing et al.
3,444,631 A * 5/1969 MacLeod A63B 25/10
36/7.8

4,492,374 A * 1/1985 Lekhtman A63B 25/10
267/28
4,843,737 A * 7/1989 Vorderer A43B 13/182
36/38
5,205,798 A * 4/1993 Lekhtman A43B 13/18
482/121
5,316,527 A * 5/1994 Lekhtman A63B 25/10
482/38
5,643,148 A * 7/1997 Naville A43B 13/183
482/124

(Continued)

FOREIGN PATENT DOCUMENTS

CA 2243042 A1 * 1/2000 A63B 25/10
CA 2279604 A1 * 2/2001 A43B 5/00

(Continued)

OTHER PUBLICATIONS

Italian Patent Application No. BG2015A00019, filed Mar. 20, 2015,
unpublished. (Year: 2015).*

(Continued)

Primary Examiner — Catherine A Tuttle

(74) *Attorney, Agent, or Firm* — King & Schickli, PLLC

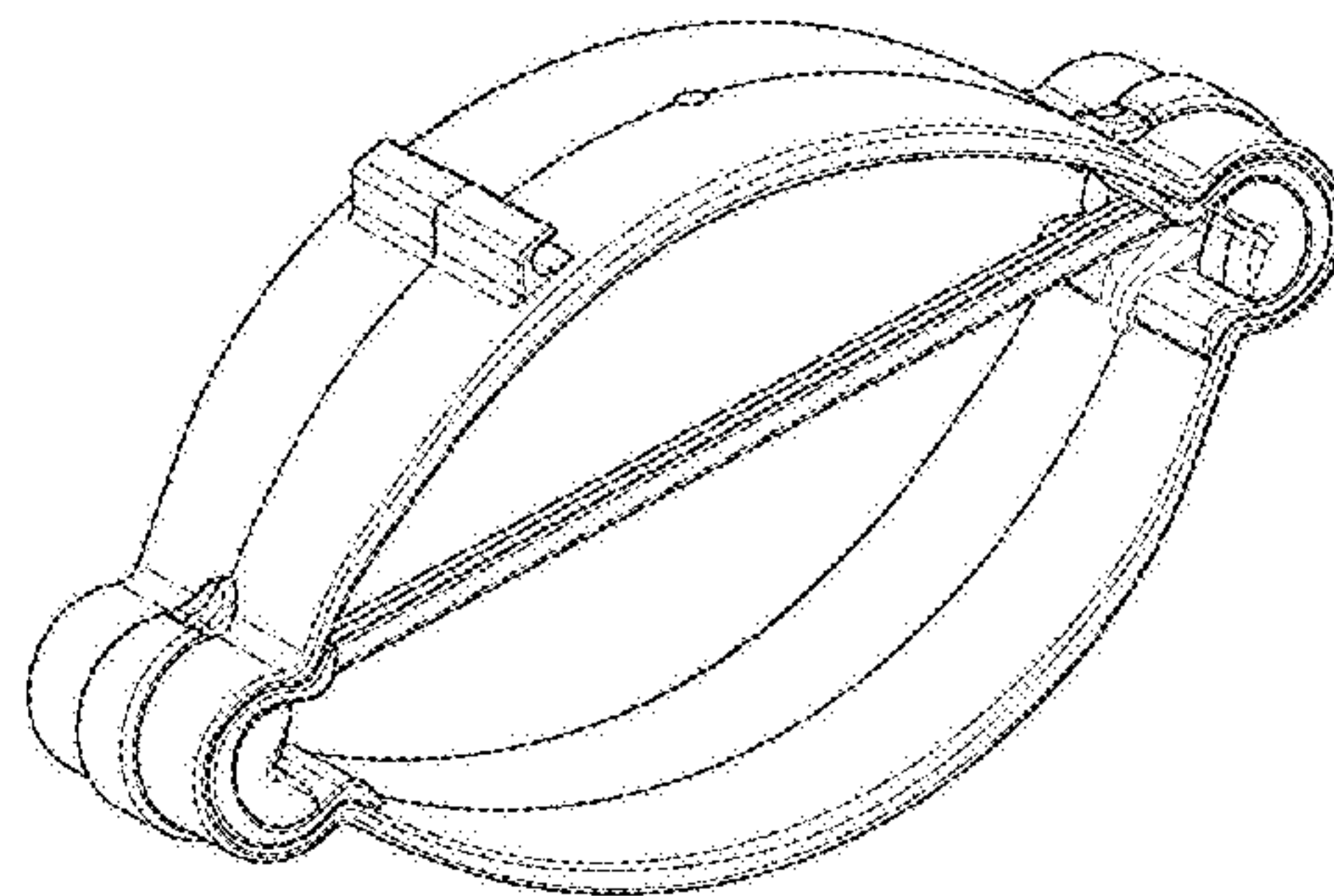
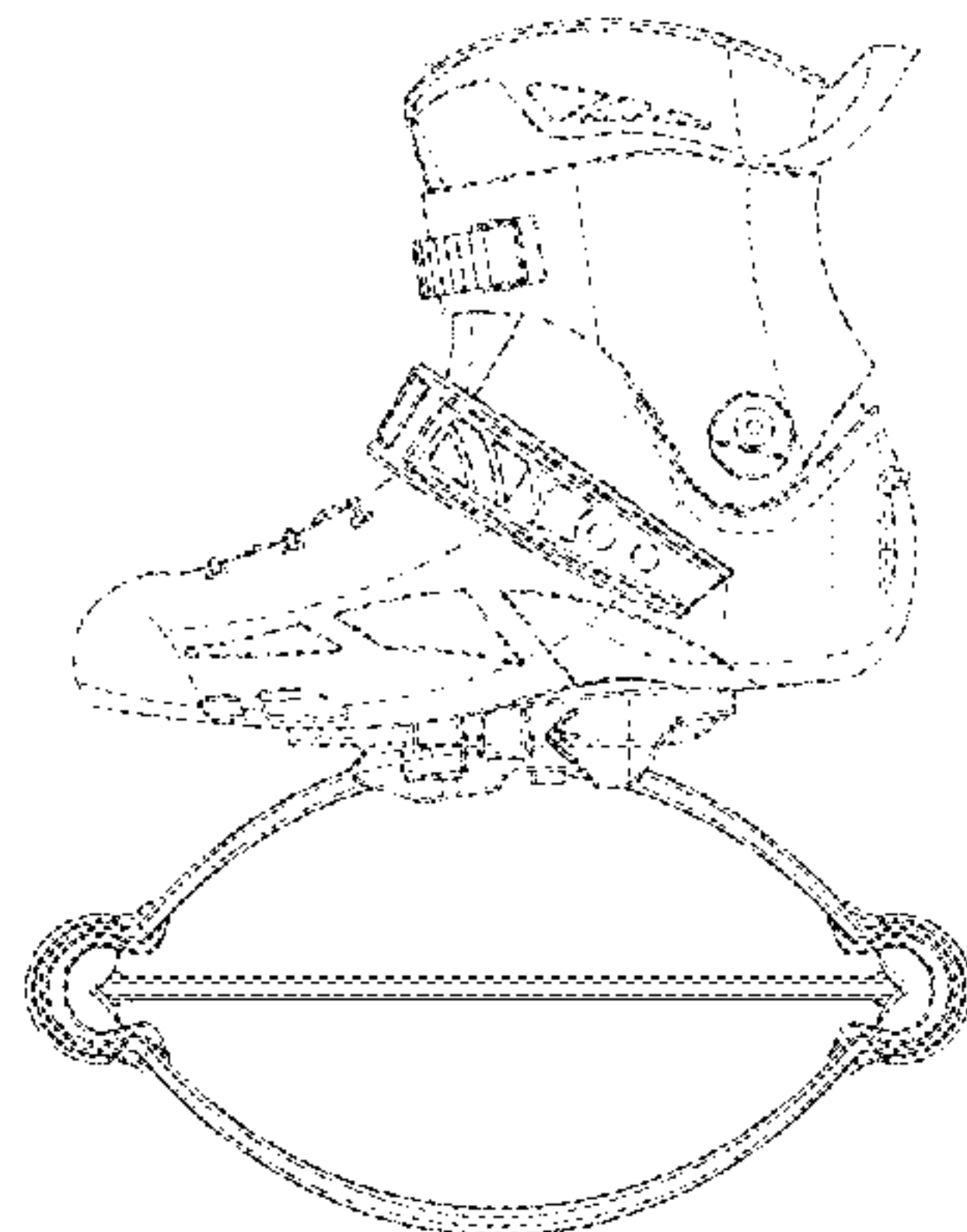
(57) **CLAIM**

The ornamental design for the spring device for gymnastics
and sports, as shown and described.

DESCRIPTION

FIG. 1 is a side elevation view showing our new design in
association with broken lines depicting its environment;
FIG. 2 is an enlarged scale side view shown without
environmental disclosure;
FIG. 3 is a perspective view; and,
FIG. 4 is a top view.
The broken line depictions form no part of the claimed
design.

1 Claim, 4 Drawing Sheets



(56)

References Cited

U.S. PATENT DOCUMENTS

5,871,298 A * 2/1999 Lekhtman A43B 13/183
402/77
D422,648 S * 4/2000 Naville D21/412
6,318,001 B1 11/2001 Lee
6,436,012 B1 * 8/2002 Naville A43B 5/00
36/114
6,832,979 B1 12/2004 Yarbrough
2005/0233869 A1 * 10/2005 Lee A63B 25/08
482/77
2008/0111806 A1 5/2008 Dyrce et al.
2014/0349818 A1 * 11/2014 Green A63C 17/0046
482/77

FOREIGN PATENT DOCUMENTS

CN 302632069 * 11/2013
CN 302838677 * 6/2014
DE 29805431 U1 * 7/1998 A43B 13/182
FR 472837 A * 12/1914 A63B 25/10
FR 2883481 A3 * 9/2006 A63B 25/10
JP 4892126 A 11/1973
JP D1106628 * 4/2001
WO D045063-001 * 11/1998

OTHER PUBLICATIONS

Search report of Italian Application No. BG20150019.
English translation of Italian Application No. BG20150019.

* cited by examiner

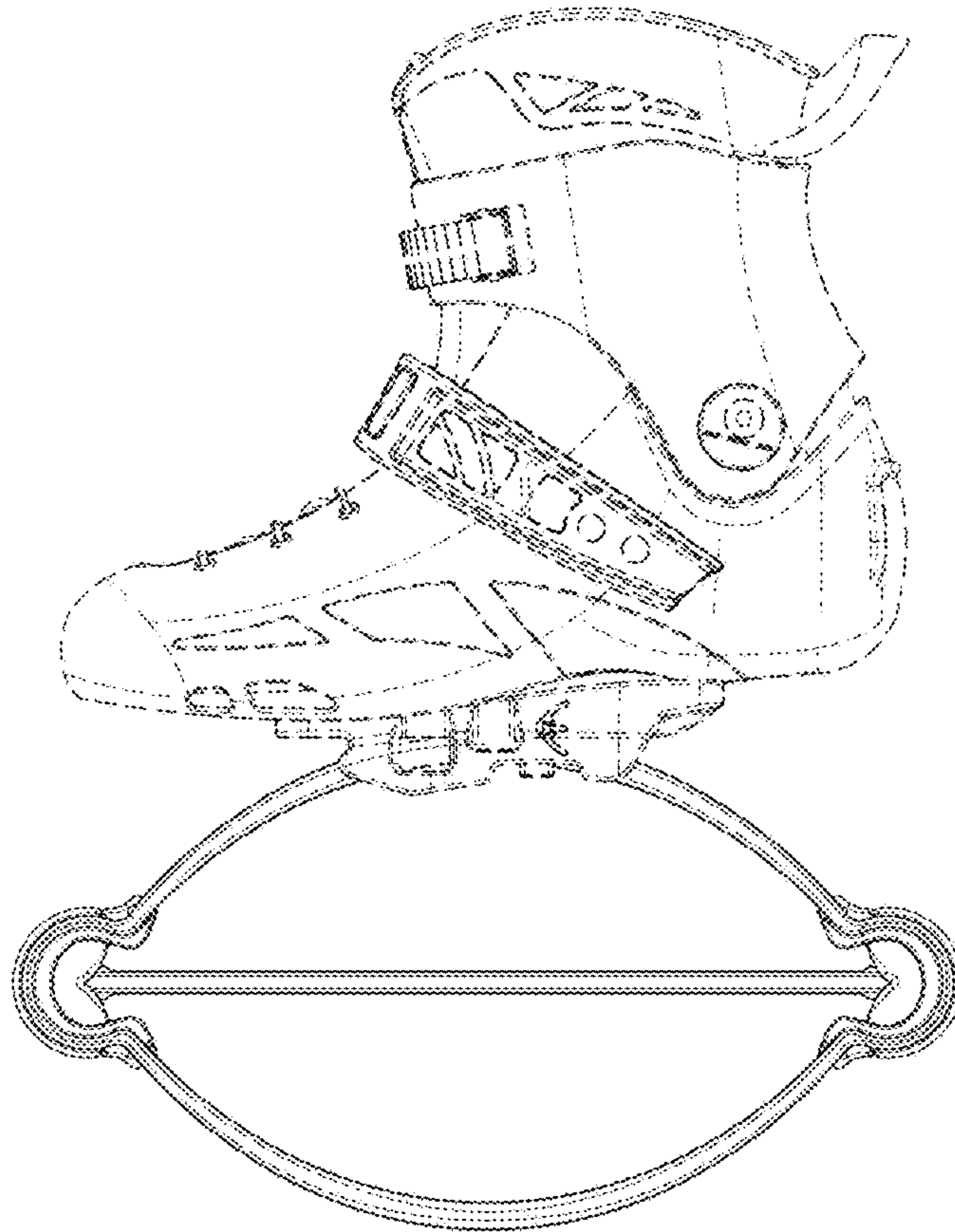


Fig. 1

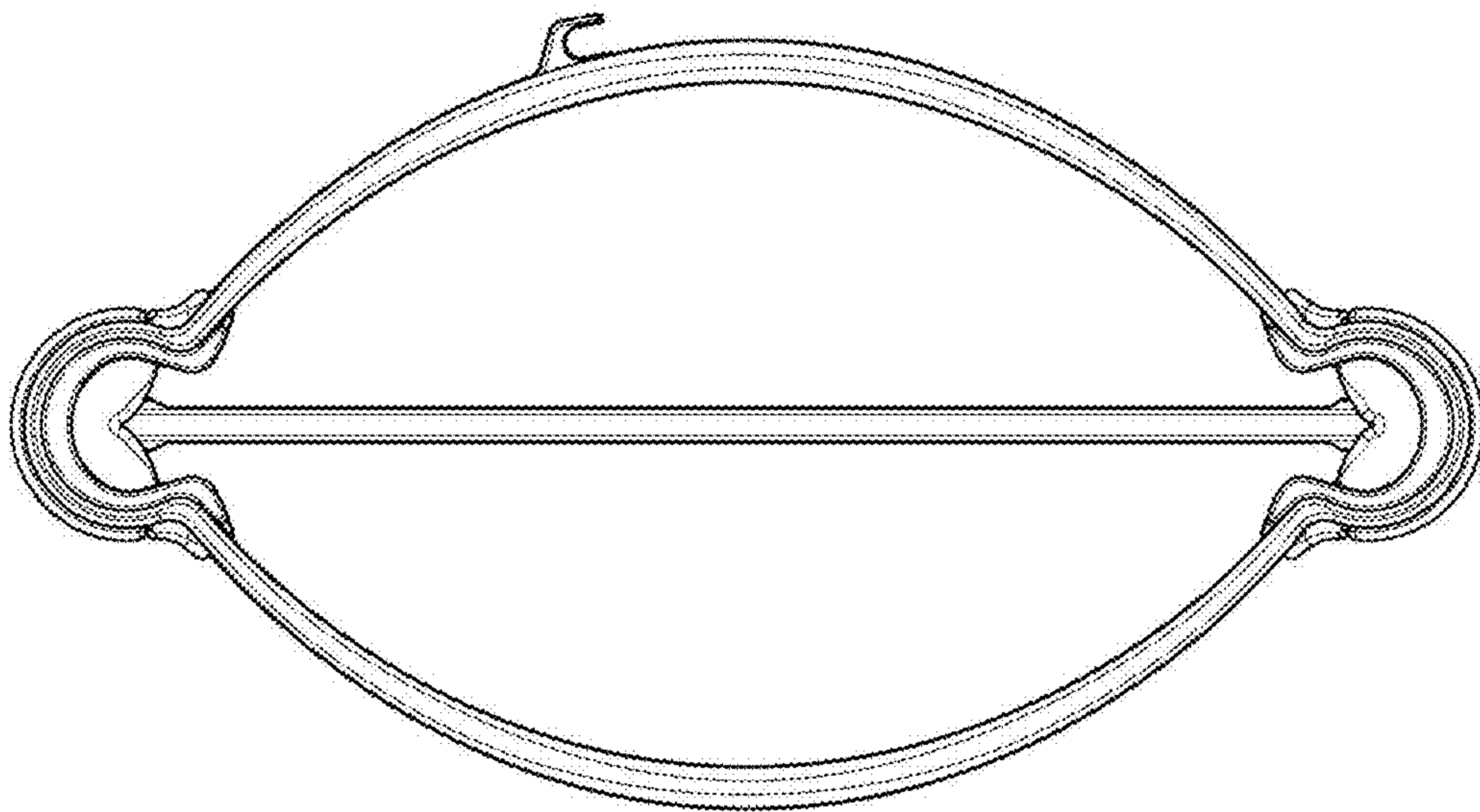


Fig. 2

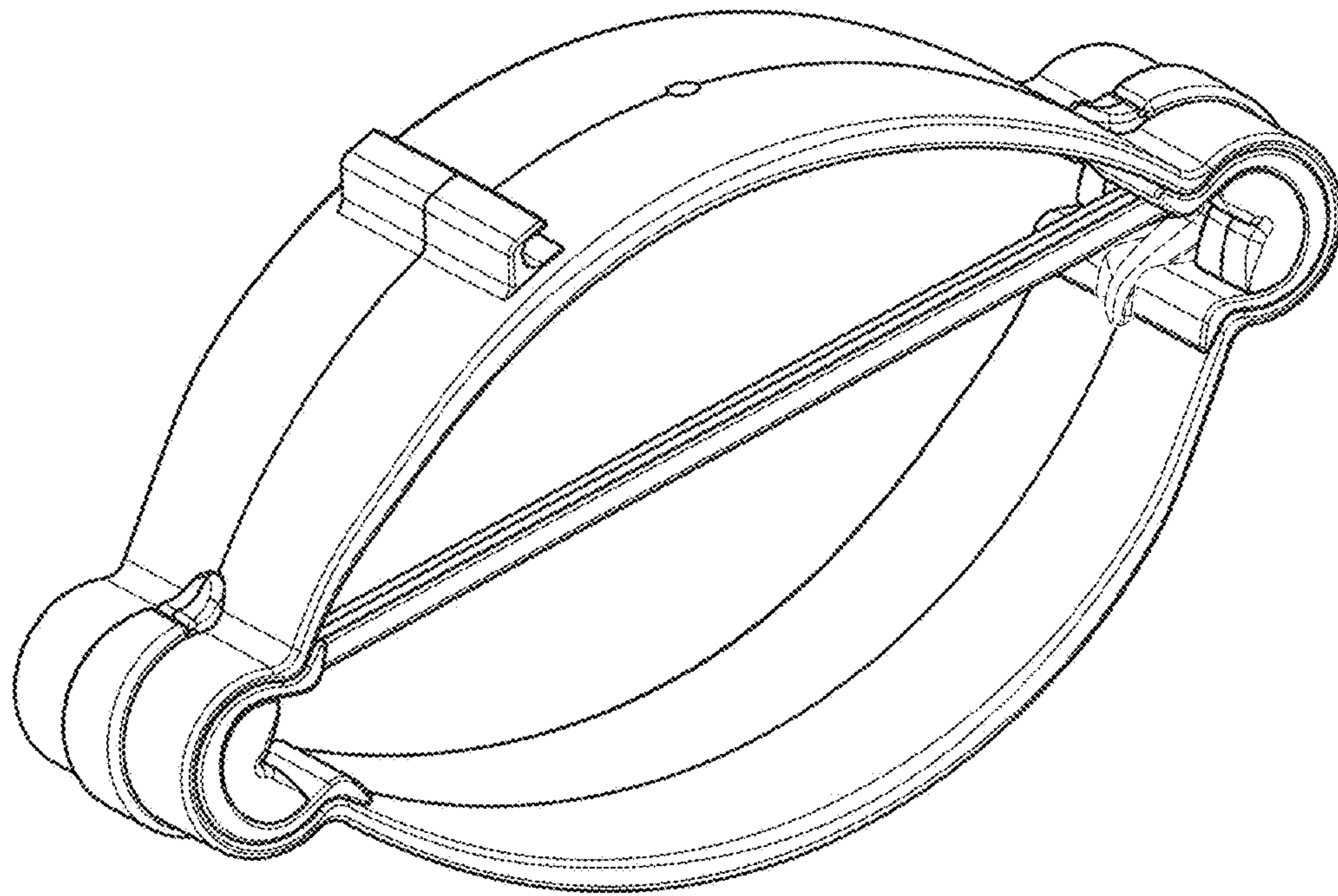


FIG. 3

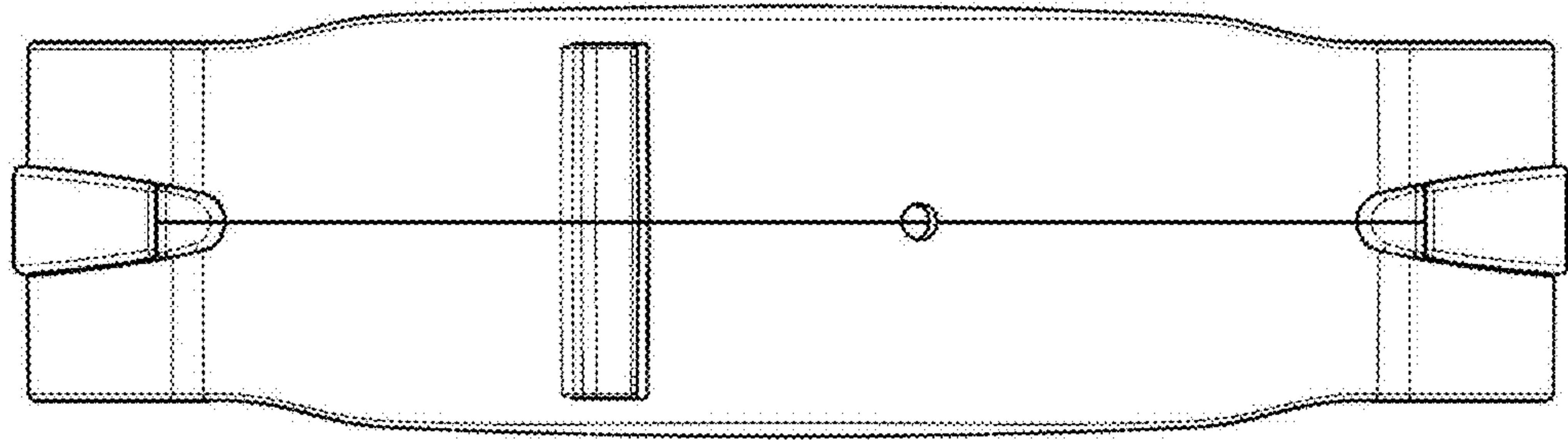


Fig. 4

UNITED STATES PATENT AND TRADEMARK OFFICE
CERTIFICATE OF CORRECTION

PATENT NO. : D855,704 S
APPLICATION NO. : 29/585962
DATED : August 6, 2019
INVENTOR(S) : Nino et al.

Page 1 of 1

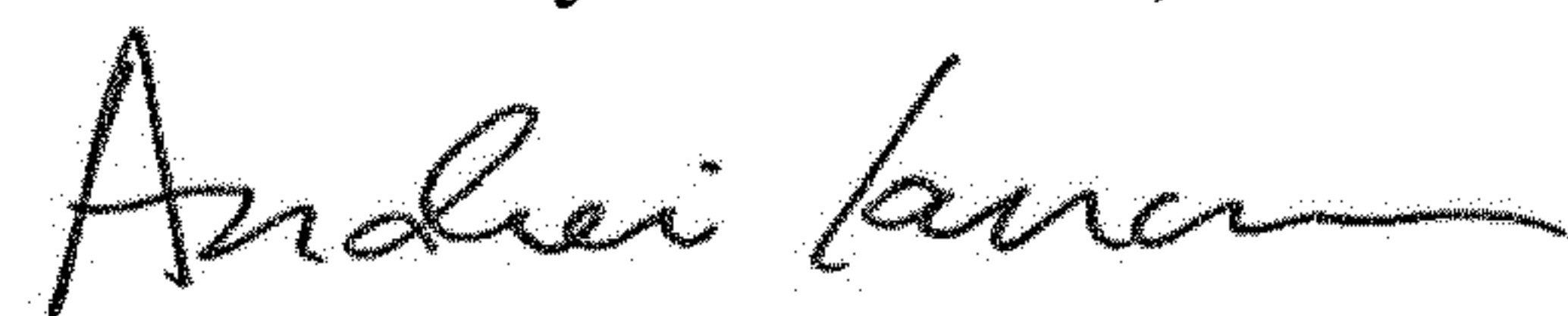
It is certified that error appears in the above-identified patent and that said Letters Patent is hereby corrected as shown below:

On the Title Page

Please add the below language after FIG. 4 in the Description:

--The disclosure of European Community Design No. 003164326 is incorporated herein by reference. All the material from the above-referenced European Community Design which is essential to the claimed design is included in this application. It is understood that any material in the above-referenced European Community Design which is not present in this application forms no part of the claimed design.--

Signed and Sealed this
First Day of October, 2019



Andrei Iancu
Director of the United States Patent and Trademark Office