



US00D855703S

(12) **United States Design Patent**
Chatterjee et al.

(10) **Patent No.:** **US D855,703 S**

(45) **Date of Patent:** **** *Aug. 6, 2019**

(54) **CONTROLLER**

(71) Applicant: **Microsoft Corporation**, Redmond, WA (US)

(72) Inventors: **Monique Chatterjee**, Seattle, WA (US);
William Bennett Mabry, Seattle, WA (US);
Austin Porter, Seattle, WA (US);
Matthew Harvey, Seattle, WA (US);
Richard T. Hanks, Seattle, WA (US);
Carson Massie, Seattle, WA (US)

(73) Assignee: **Microsoft Corporation**, Redmond, WA (US)

(*) Notice: This patent is subject to a terminal disclaimer.

(**) Term: **15 Years**

(21) Appl. No.: **29/628,132**

(22) Filed: **Dec. 1, 2017**

(51) **LOC (12) Cl.** **21-02**

(52) **U.S. Cl.**
USPC **D21/333**

(58) **Field of Classification Search**
USPC D21/333; D14/160, 137, 138, 168, 174,
D14/217, 218, 356, 387, 388, 389, 400,
D14/401, 443, 449, 450, 454, 471, 474,
D14/483, 496, 511; D12/174, 177, 190,
D12/218; D13/164, 168; D18/19
CPC A63F 13/24; G06F 1/1666; H04N 7/14;
H04N 21/00
See application file for complete search history.

(56) **References Cited**

U.S. PATENT DOCUMENTS

D581,422 S * 11/2008 Hayes D14/401
D694,830 S * 12/2013 Crowley D14/401

D708,615 S * 7/2014 Delrue D14/401
D709,882 S * 7/2014 Morris D14/401
D745,607 S * 12/2015 Jones D14/401
D765,788 S * 9/2016 Kujawski D14/401
D765,790 S * 9/2016 Chatterjee D14/401
D765,791 S * 9/2016 Chatterjee D14/401
D765,792 S * 9/2016 Chatterjee D14/401
D765,793 S * 9/2016 Chatterjee D14/401
D786,251 S * 5/2017 Chatterjee D14/401
D787,606 S * 5/2017 Coe D21/333
D788,853 S * 6/2017 Chatterjee D21/333
D791,880 S * 7/2017 Chatterjee D21/333
D794,717 S * 8/2017 Kujawski D14/401
D795,350 S * 8/2017 Chatterjee D21/333

(Continued)

Primary Examiner — Barbara Fox

Assistant Examiner — Mehri F Bajoul

(74) *Attorney, Agent, or Firm* — Banner & Witcoff, Ltd.

(57) **CLAIM**

The ornamental design for a controller, as shown and described.

DESCRIPTION

The patent or application file contains at least one drawing executed in color. Copies of this patent or patent application publication with color drawing(s) will be provided by the Office upon request and payment of the necessary fee.

FIG. 1 is a bottom front perspective view of a controller showing our new design;

FIG. 2 is a top front perspective view thereof;

FIG. 3 is a front view thereof;

FIG. 4 is a top view thereof;

FIG. 5 is a bottom view thereof;

FIG. 6 is a left side view thereof;

FIG. 7 is a right side view thereof; and,

FIG. 8 is a rear view thereof.

The broken lines shown in the drawings depict portions of the controller that form no part of the claimed design.

1 Claim, 8 Drawing Sheets
(7 of 8 Drawing Sheet(s) Filed in Color)



(56)

References Cited

U.S. PATENT DOCUMENTS

D795,351 S * 8/2017 Chatterjee D14/401
D795,960 S * 8/2017 Chatterjee D14/401
D795,961 S * 8/2017 Chatterjee D14/401
D798,954 S * 10/2017 Chatterjee D21/333
D799,599 S * 10/2017 Kujawski D21/333
D799,600 S * 10/2017 Chatterjee D21/333
D825,005 S * 8/2018 Chatterjee D21/333
2010/0298053 A1* 11/2010 Kotkin A63F 13/24
463/37
2016/0317925 A1* 11/2016 Miller A63F 13/42
2016/0354685 A1* 12/2016 Kujawski A63F 13/24
2016/0361635 A1* 12/2016 Schmitz A63F 13/24

* cited by examiner

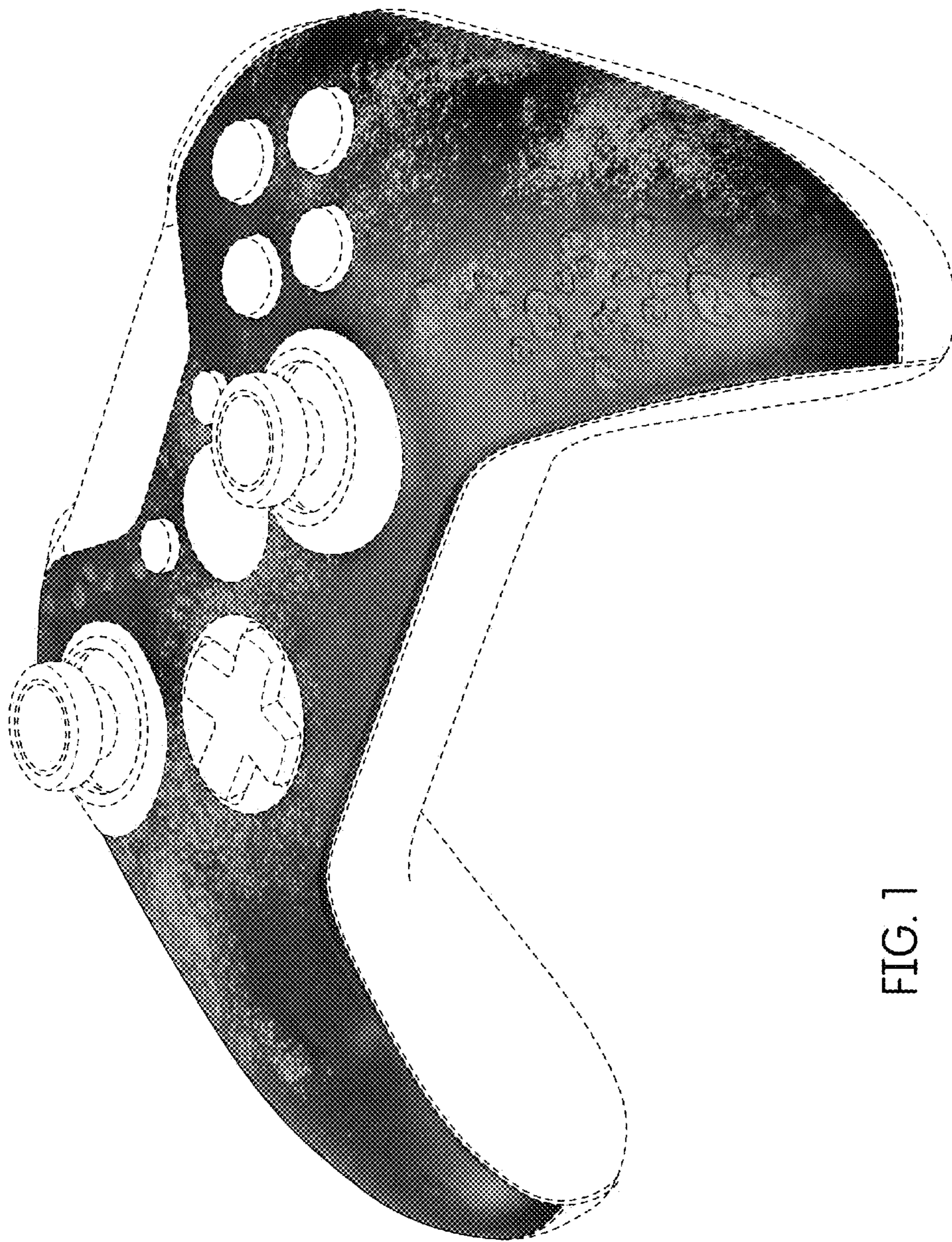


FIG. 1

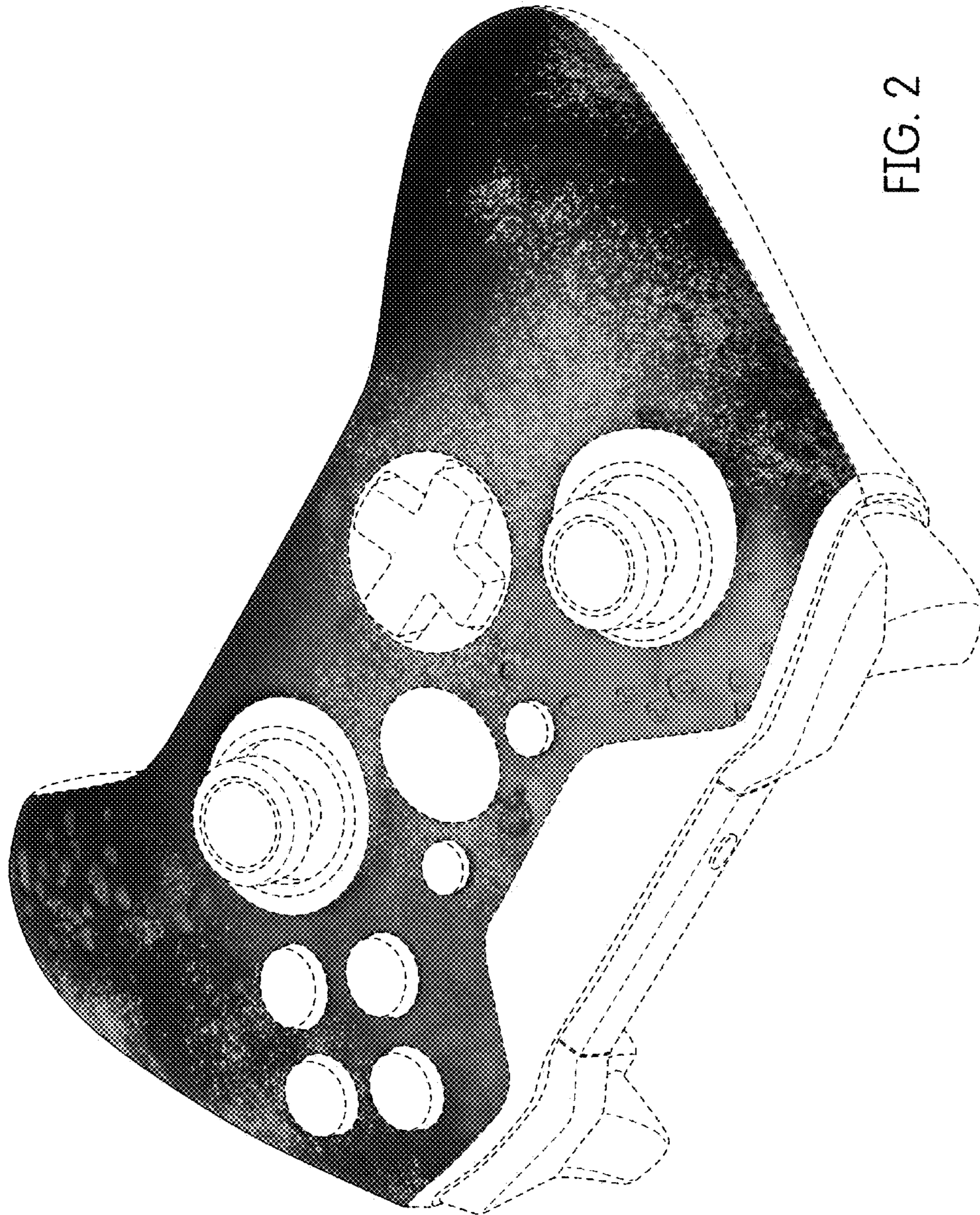


FIG. 2

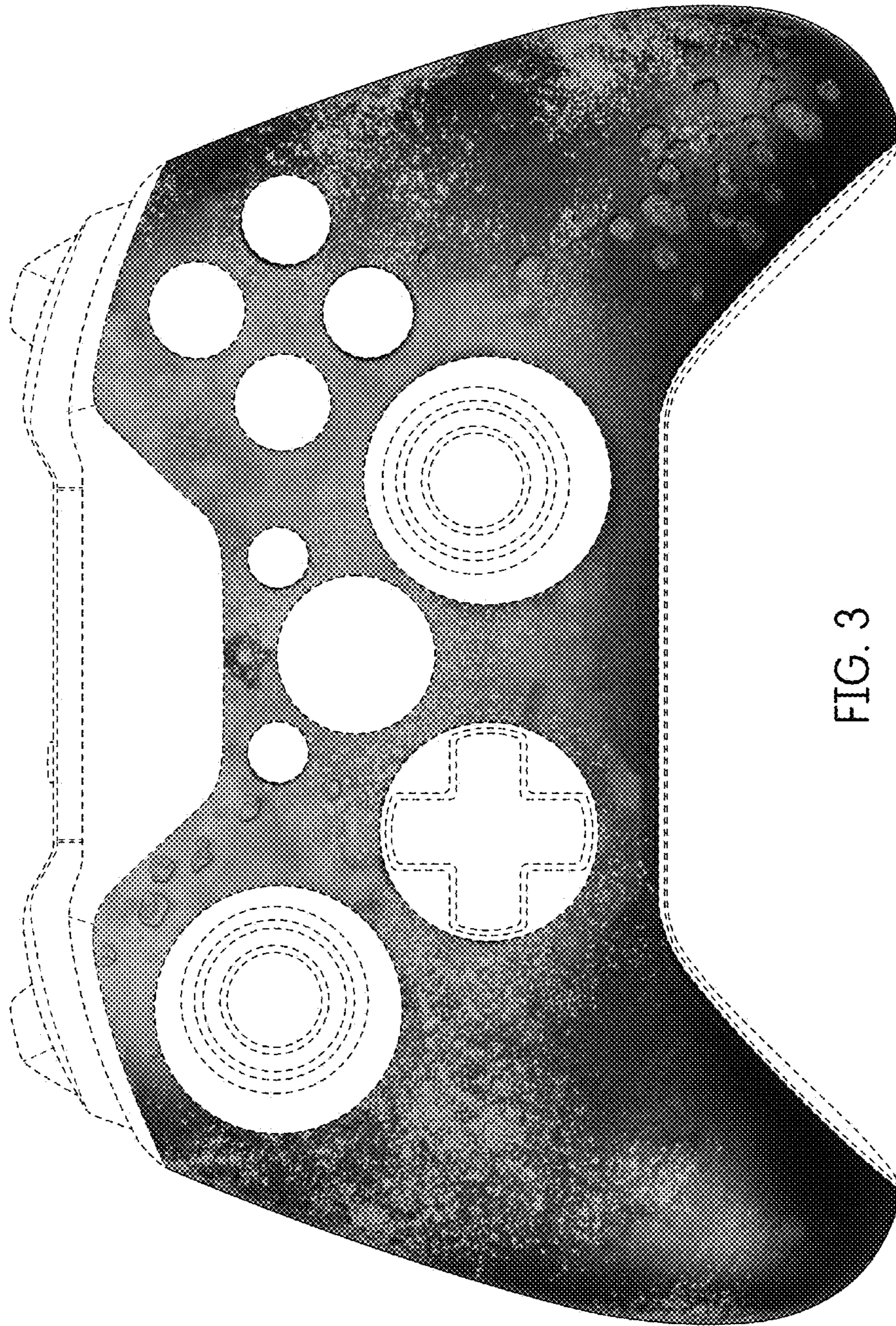


FIG. 3

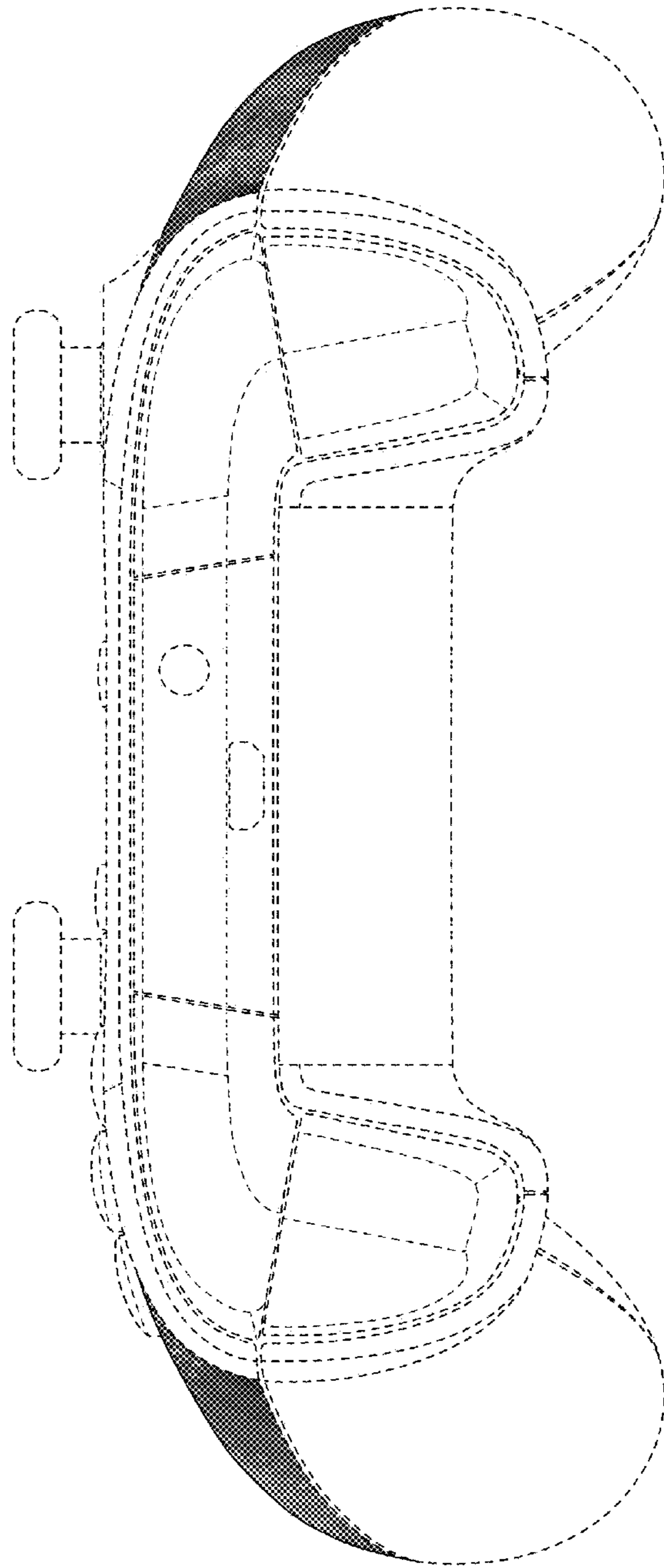


FIG. 4

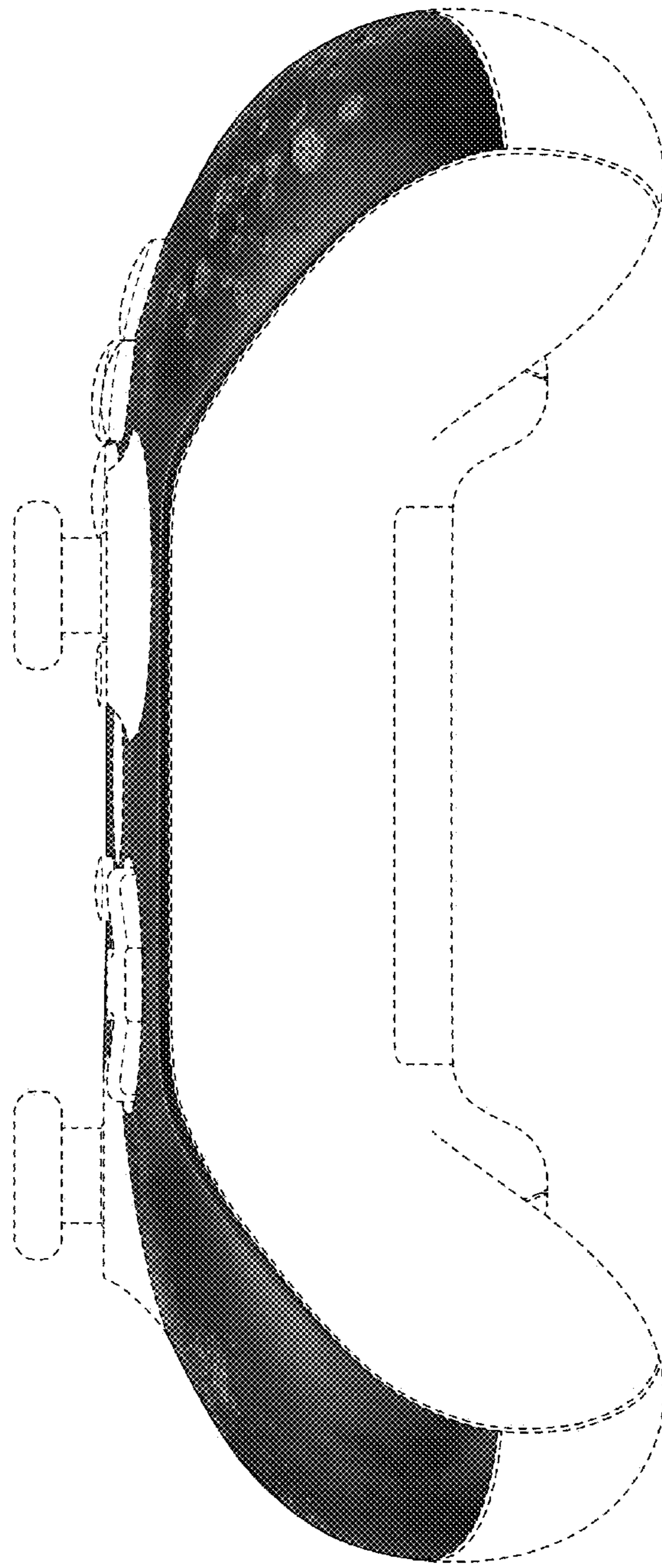


FIG. 5

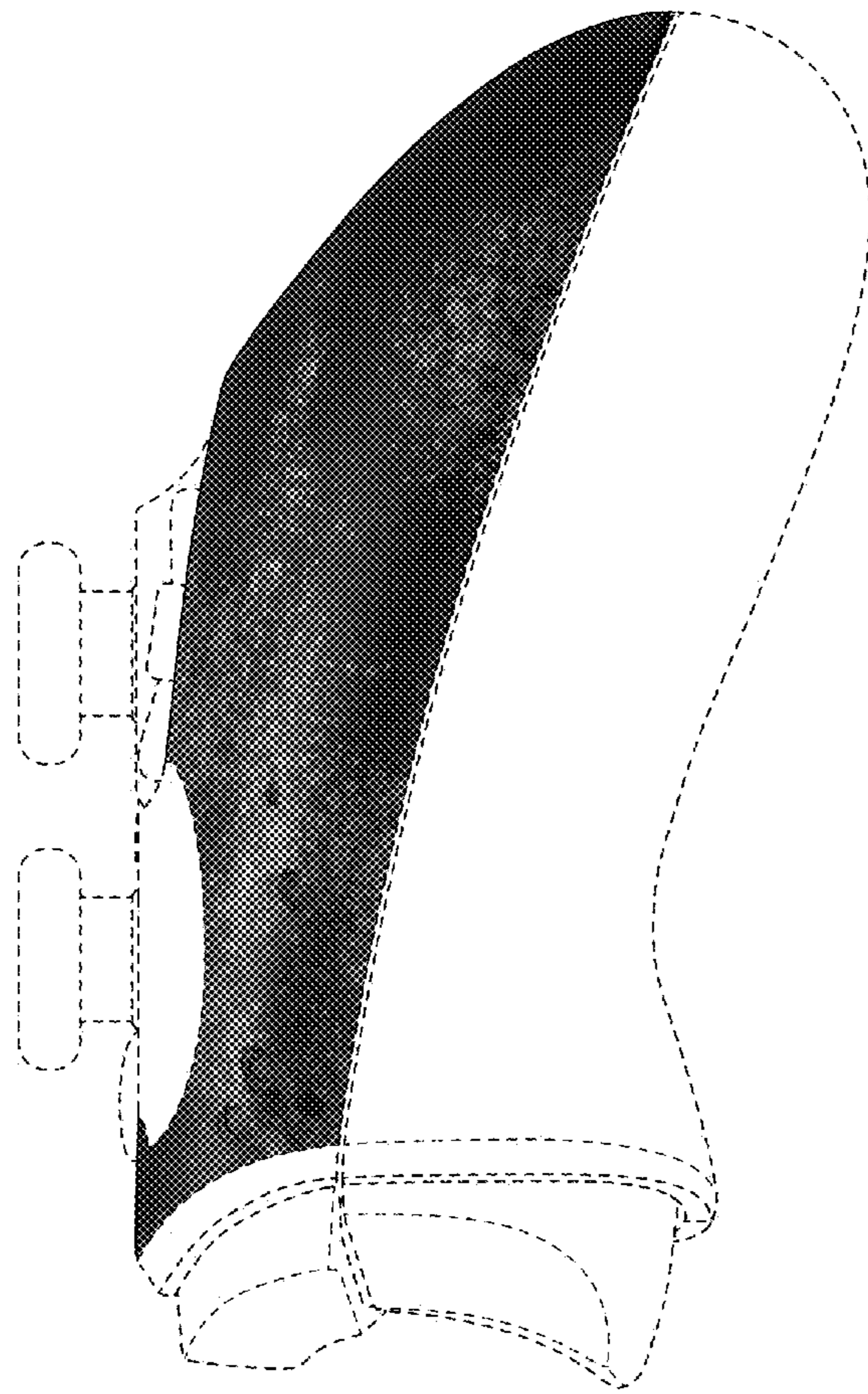


FIG. 6

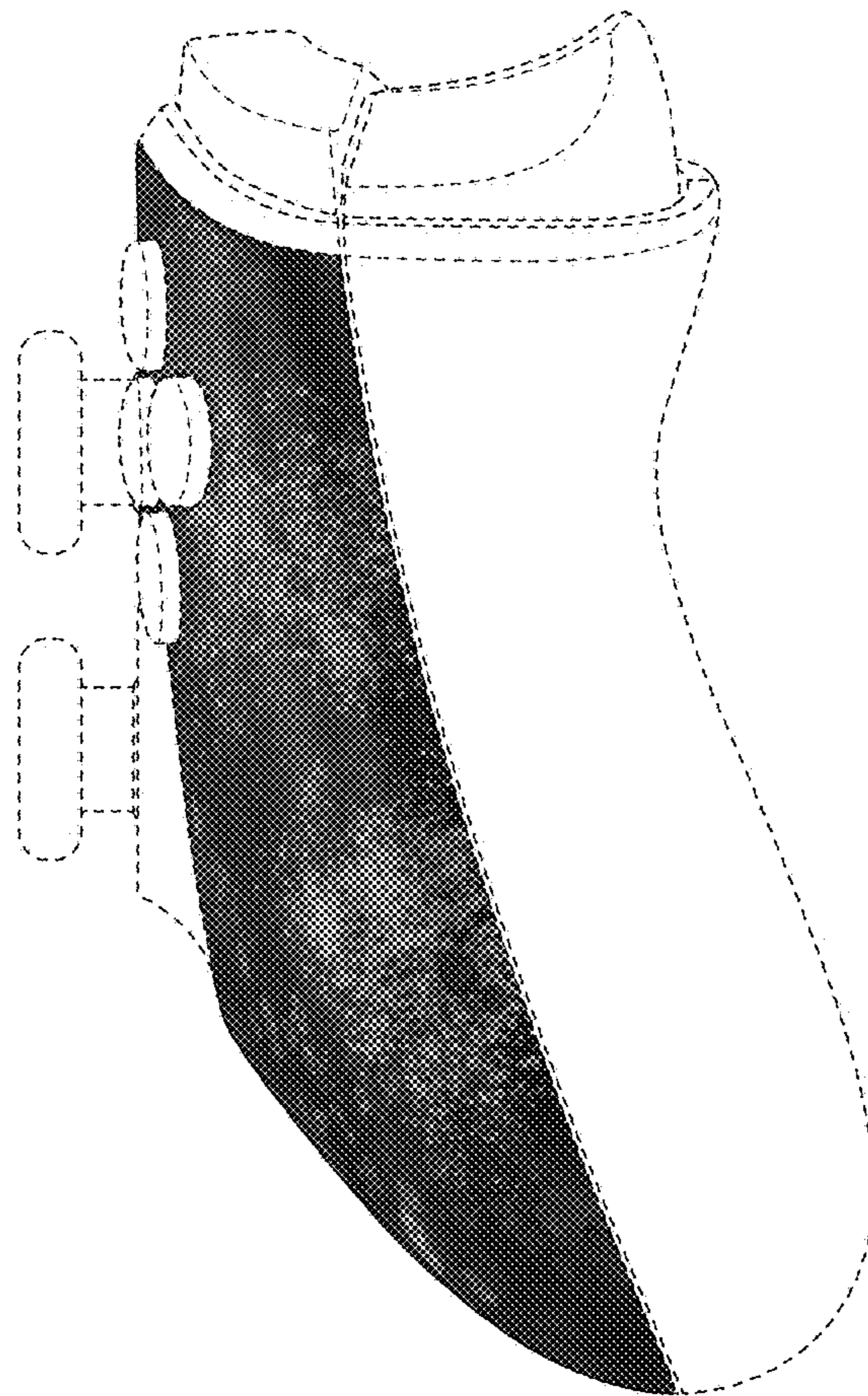


FIG. 7

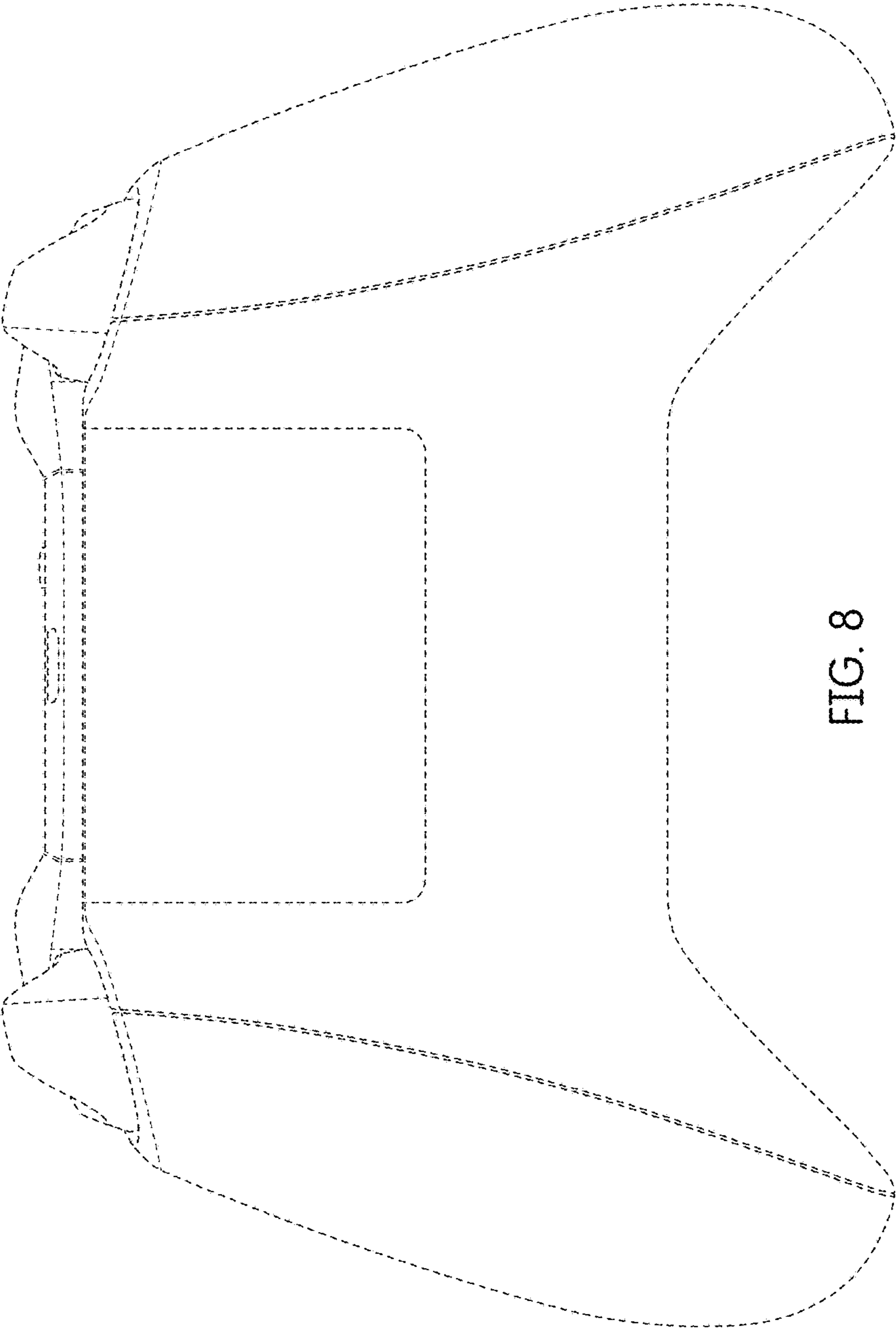


FIG. 8