



US00D855699S

(12) **United States Design Patent**  
**Xiong et al.**

(10) **Patent No.:** **US D855,699 S**

(45) **Date of Patent:** **\*\* Aug. 6, 2019**

(54) **WHISTLE PEN**

(71) Applicant: **Touching Design LLC**, Sunnyvale, CA (US)

(72) Inventors: **Dan Xiong**, Sunnyvale, CA (US);  
**Haoyu Feng**, Sunnyvale, CA (US);  
**Jinyao Feng**, Sunnyvale, CA (US)

(73) Assignee: **Touching Design LLC**, Sunnyvale, CA (US)

(\*\*) Term: **15 Years**

(21) Appl. No.: **29/635,919**

(22) Filed: **Feb. 5, 2018**

(51) **LOC (12) Cl.** ..... **19-06**

(52) **U.S. Cl.**

USPC ..... **D19/123**; D19/916; D19/934

(58) **Field of Classification Search**

USPC ..... D14/411; D19/115–204; D10/119.3

CPC . B43K 5/005; B43K 7/12; B43K 8/04; B43K 8/06; B43K 19/00; B43K 19/02; B43K 19/14; B43K 21/006; B43K 21/06

See application file for complete search history.

(56) **References Cited**

**U.S. PATENT DOCUMENTS**

- D108,330 S \* 2/1938 Kane ..... D28/88
- 2,577,078 A \* 12/1951 Fried ..... B43K 23/126
- 2,938,498 A \* 5/1960 Bachmann ..... B43K 21/08
- 401/54
- D301,513 S \* 6/1989 Wright ..... D10/119.3
- D329,873 S \* 9/1992 Tu ..... D19/163
- D352,960 S \* 11/1994 Zier ..... D19/184
- D364,486 S \* 11/1995 Tsai ..... D28/88
- 5,957,601 A \* 9/1999 Weiss ..... B43K 8/003
- 401/18

- 7,141,197 B2 \* 11/2006 Chadwick ..... B32B 7/02
- 264/250
- D616,151 S \* 5/2010 Kojima ..... D19/916
- D647,562 S \* 10/2011 Chu ..... D19/184
- D651,647 S \* 1/2012 Chu ..... D19/177

(Continued)

**OTHER PUBLICATIONS**

GP-1945-Bolt-Action-Plus-Pen-06, IMBOLDN, imboldn.com, 3 pages, Oct. 16, 2017.\*

GP 1945 Bolt Action Plus Pen, Haoyu Feng, Sep. 26, 2017.\*

*Primary Examiner* — Elizabeth A. Albert

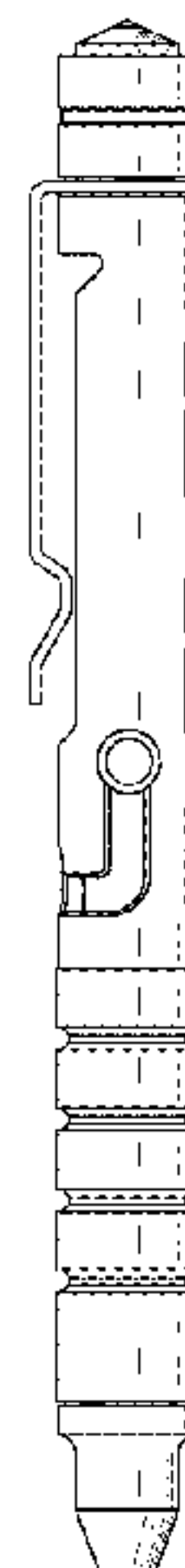
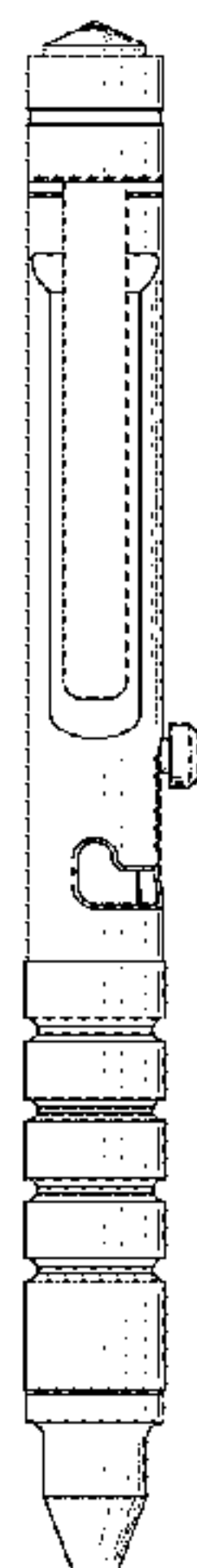
(57) **CLAIM**

The ornamental design for a whistle pen, as shown and described.

**DESCRIPTION**

FIG. 1 is a left side elevation view of the whistle pen showing our new design;  
 FIG. 2 is a front elevation view thereof;  
 FIG. 3 is a right side elevation view thereof;  
 FIG. 4 is a back elevation view thereof;  
 FIG. 5 is a bottom plan view thereof;  
 FIG. 6 is a bottom plan view thereof with the tip ejected;  
 FIG. 7 is a left side elevation view thereof;  
 FIG. 8 is a right side elevation view thereof;  
 FIG. 9 is a back elevation view thereof;  
 FIG. 10 is a top plan view with the tip retracted;  
 FIG. 11 is a top plan view thereof with the tip ejected;  
 FIG. 12 is a first perspective view thereof with the tip retracted;  
 FIG. 13 is a second perspective view thereof;  
 FIG. 14 is a third perspective view thereof;  
 FIG. 15 is a fourth perspective view thereof;  
 FIG. 16 is a first perspective view thereof with the tip ejected;  
 FIG. 17 is a second perspective view thereof;  
 FIG. 18 is a third perspective view thereof; and  
 FIG. 19 is a fourth perspective view thereof.

**1 Claim, 19 Drawing Sheets**



(56)

**References Cited**

U.S. PATENT DOCUMENTS

8,348,539 B2 *	1/2013	Chu	.....	B43K 5/005 401/195
D685,848 S *	7/2013	Chu	.....	D19/168
D689,934 S *	9/2013	Chu	.....	D19/179
D692,480 S *	10/2013	Chu	.....	D19/123
D708,616 S *	7/2014	Nakata	.....	D14/411
D716,814 S *	11/2014	Nakata	.....	D14/411
8,967,899 B1 *	3/2015	Chu	.....	B43K 29/16 401/195
D746,922 S *	1/2016	Chu	.....	D19/123

\* cited by examiner

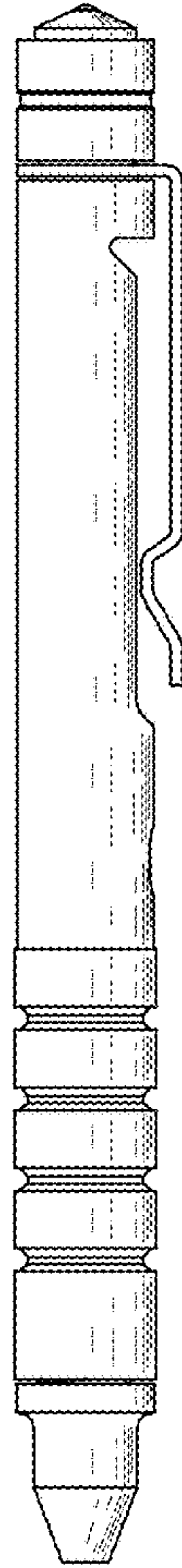


Figure 1

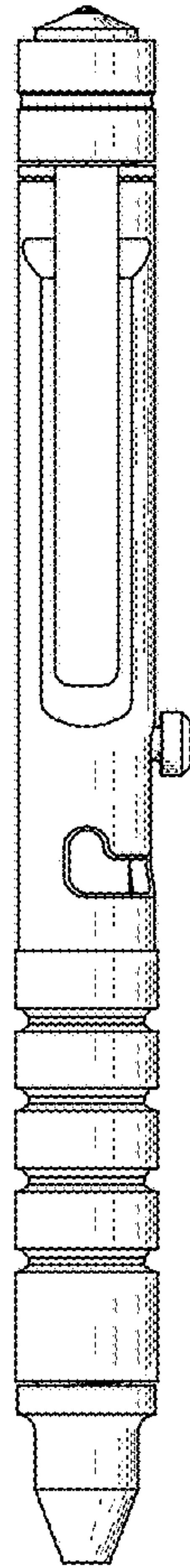


Figure 2

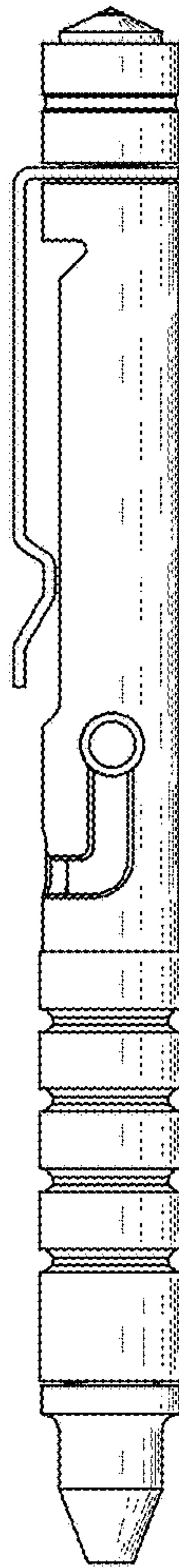


Figure 3

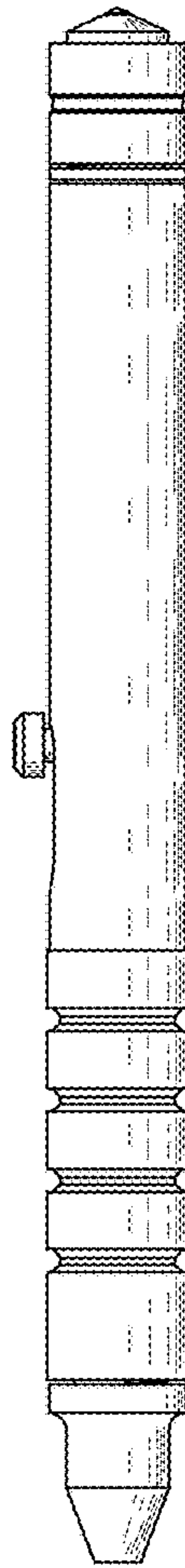


Figure 4

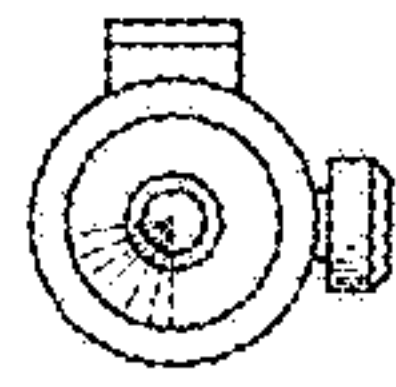


Figure 5

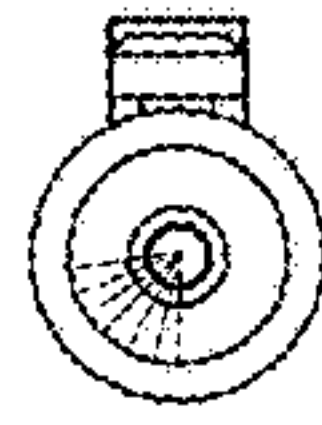


Figure 6





Figure 7

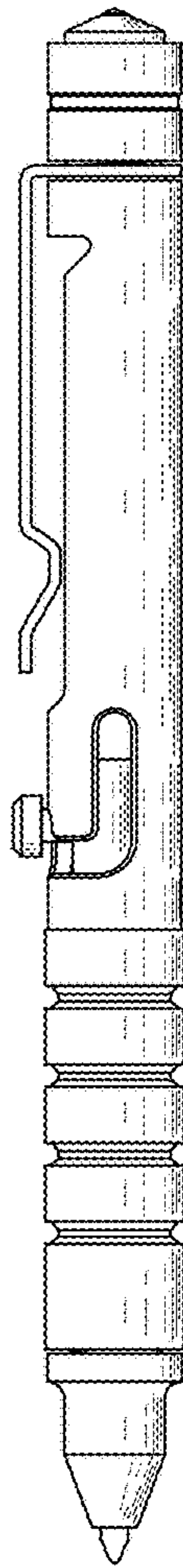


Figure 8



Figure 9

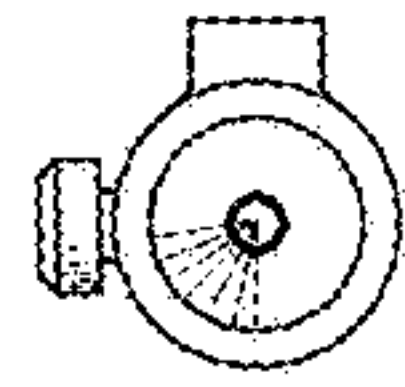


Figure 10

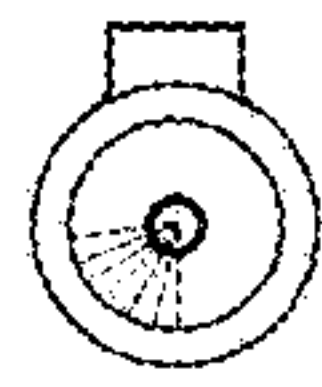


Figure 11

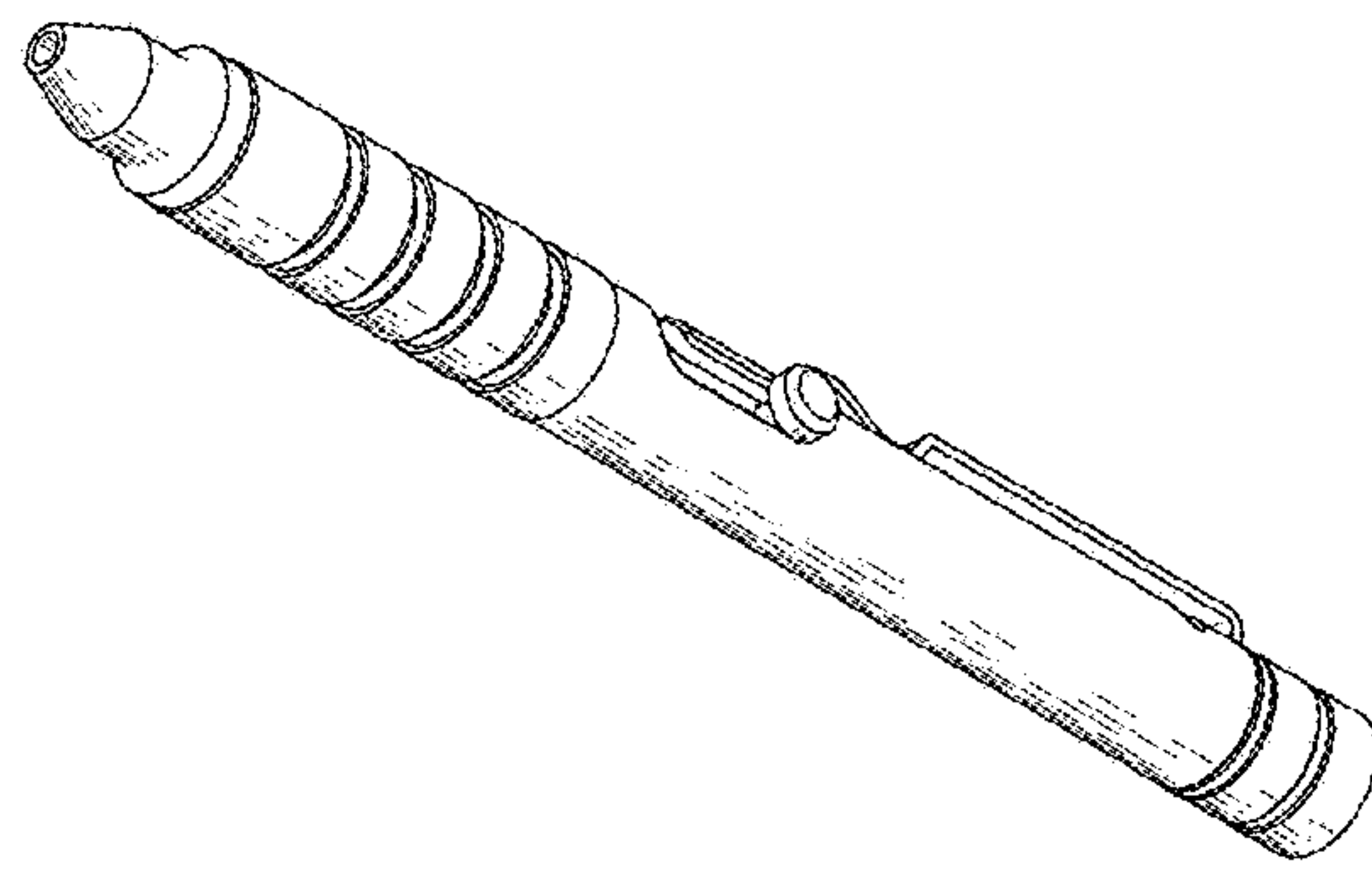


Figure 12

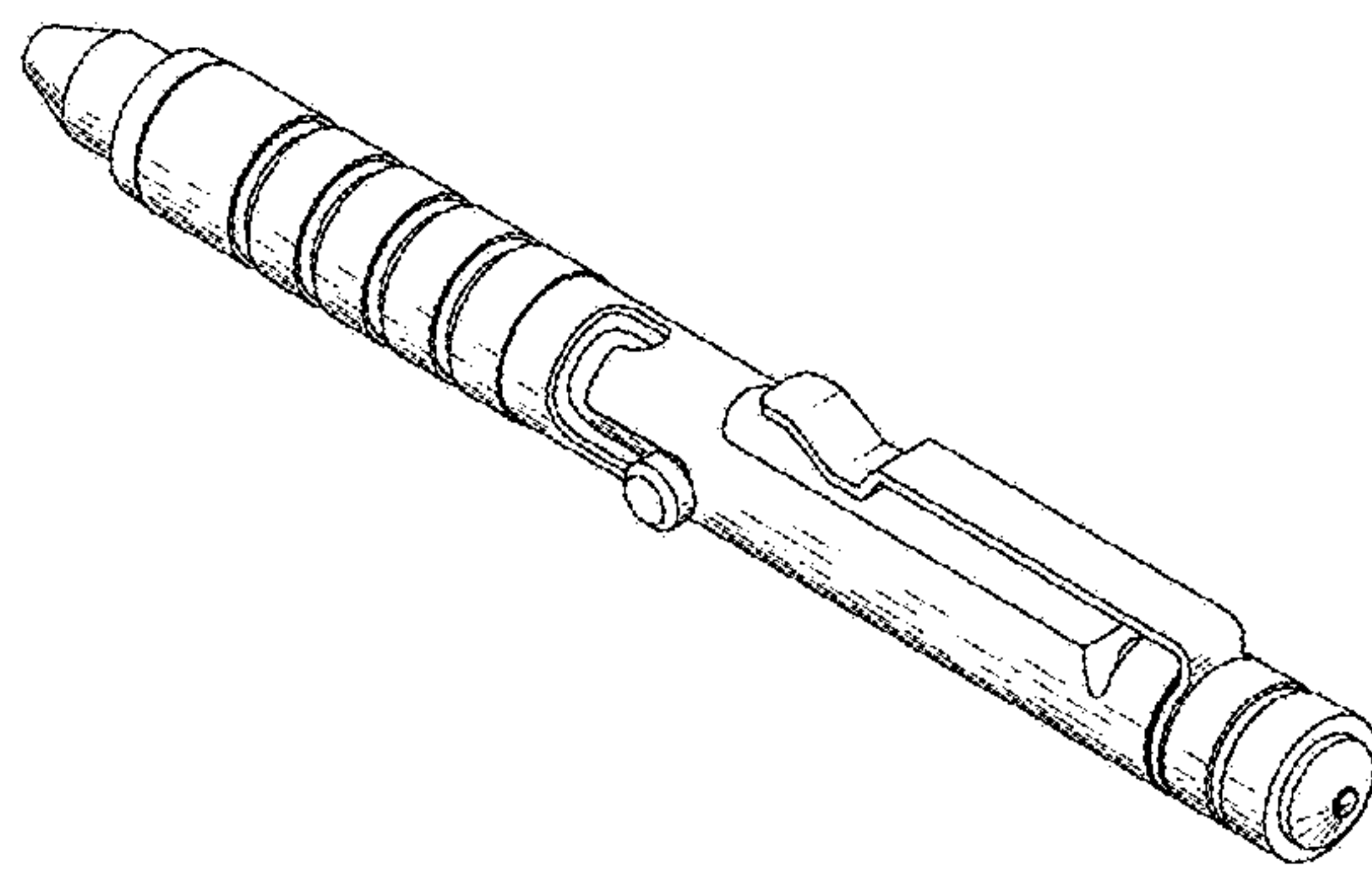


Figure 13

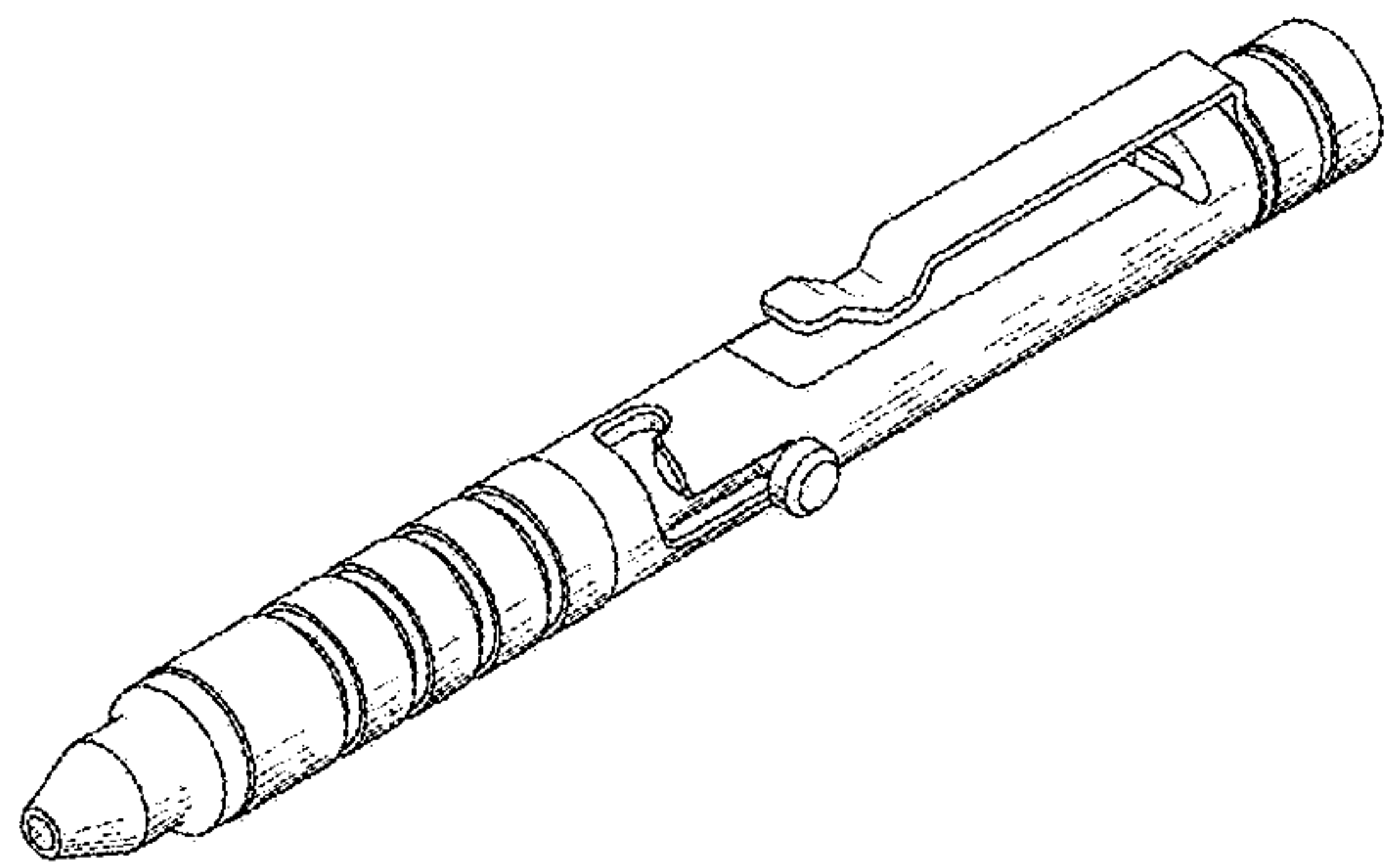


Figure 14



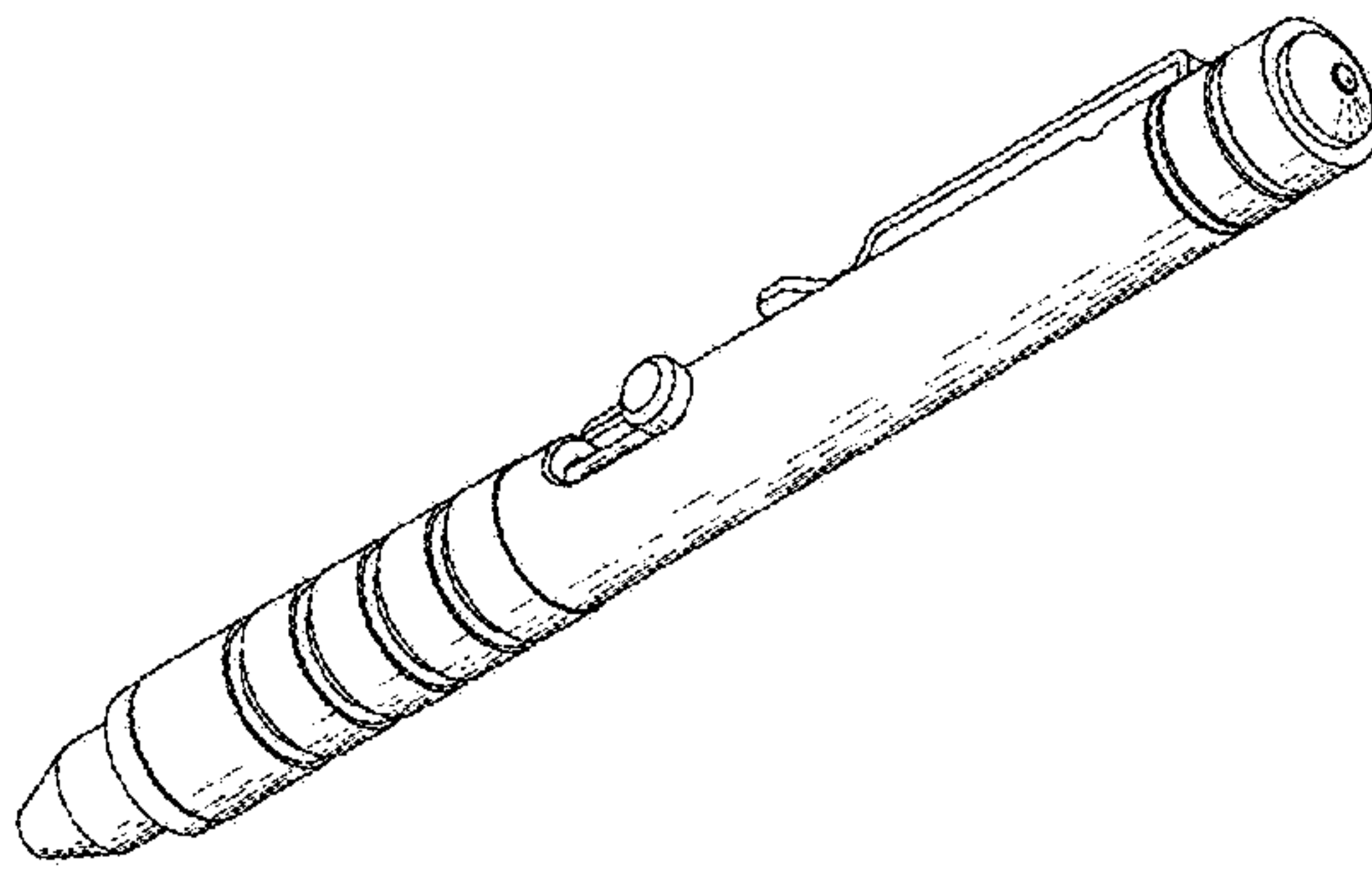


Figure 15

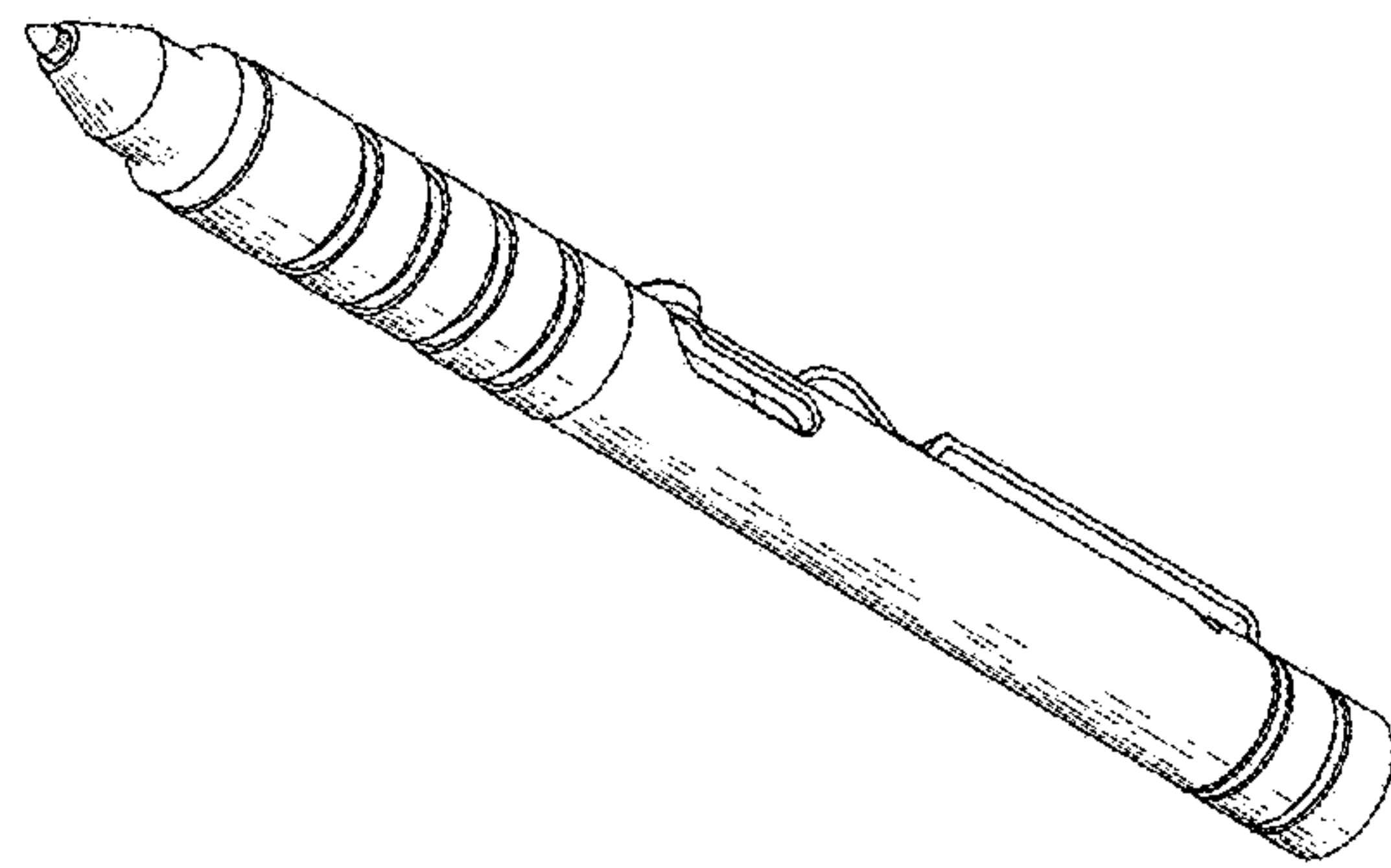


Figure 16

Replacement Sheet

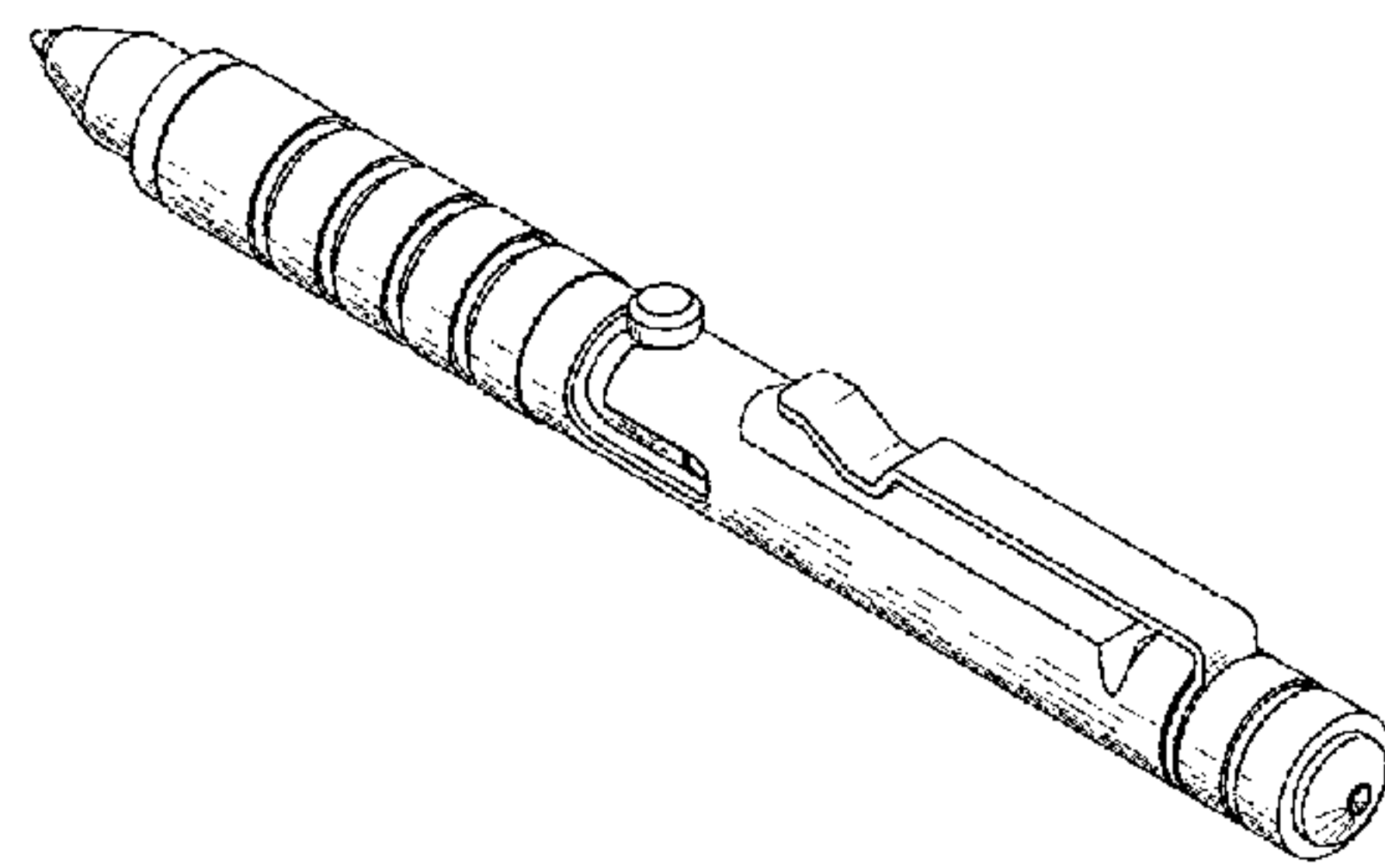


Figure 17

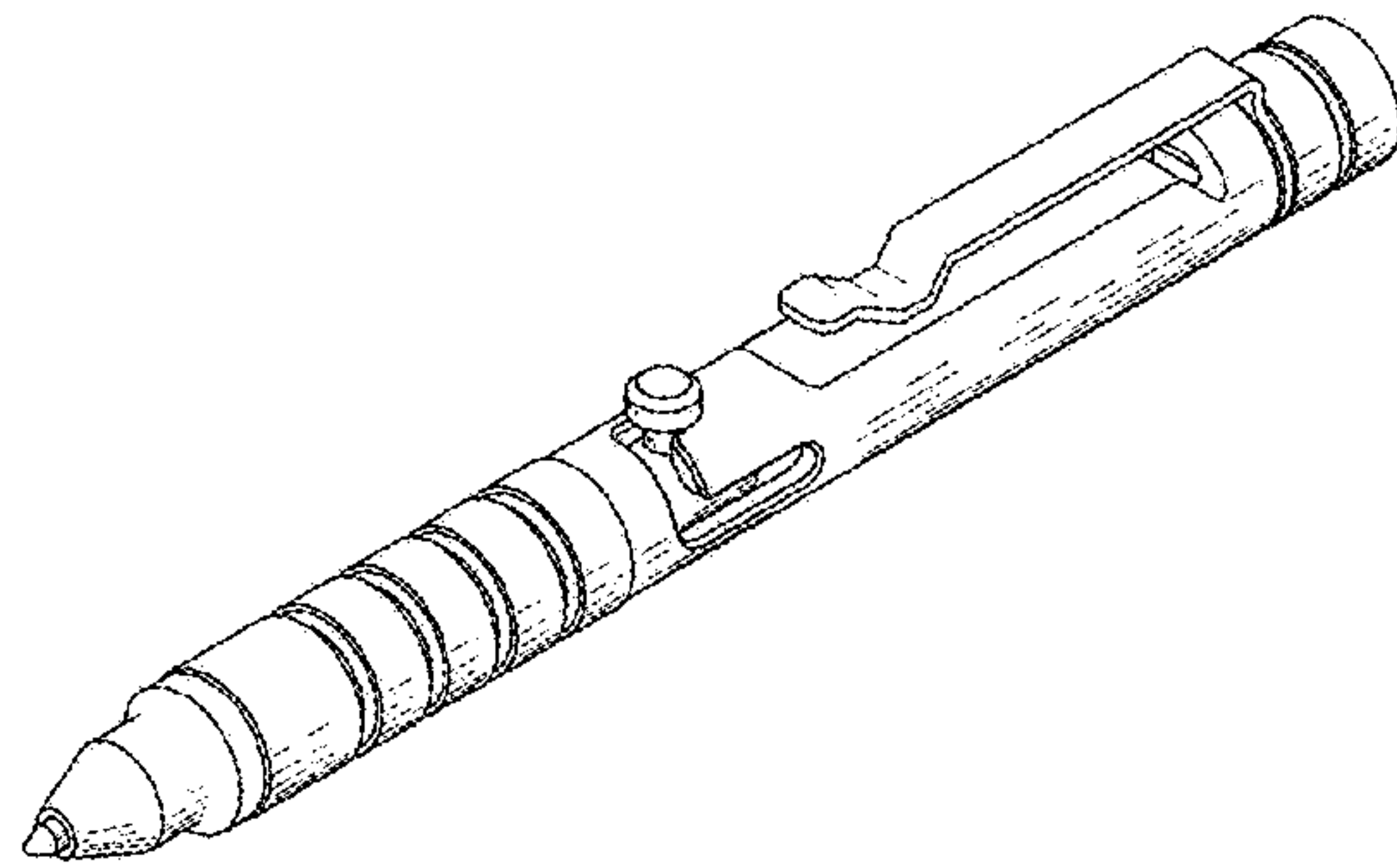


Figure 18

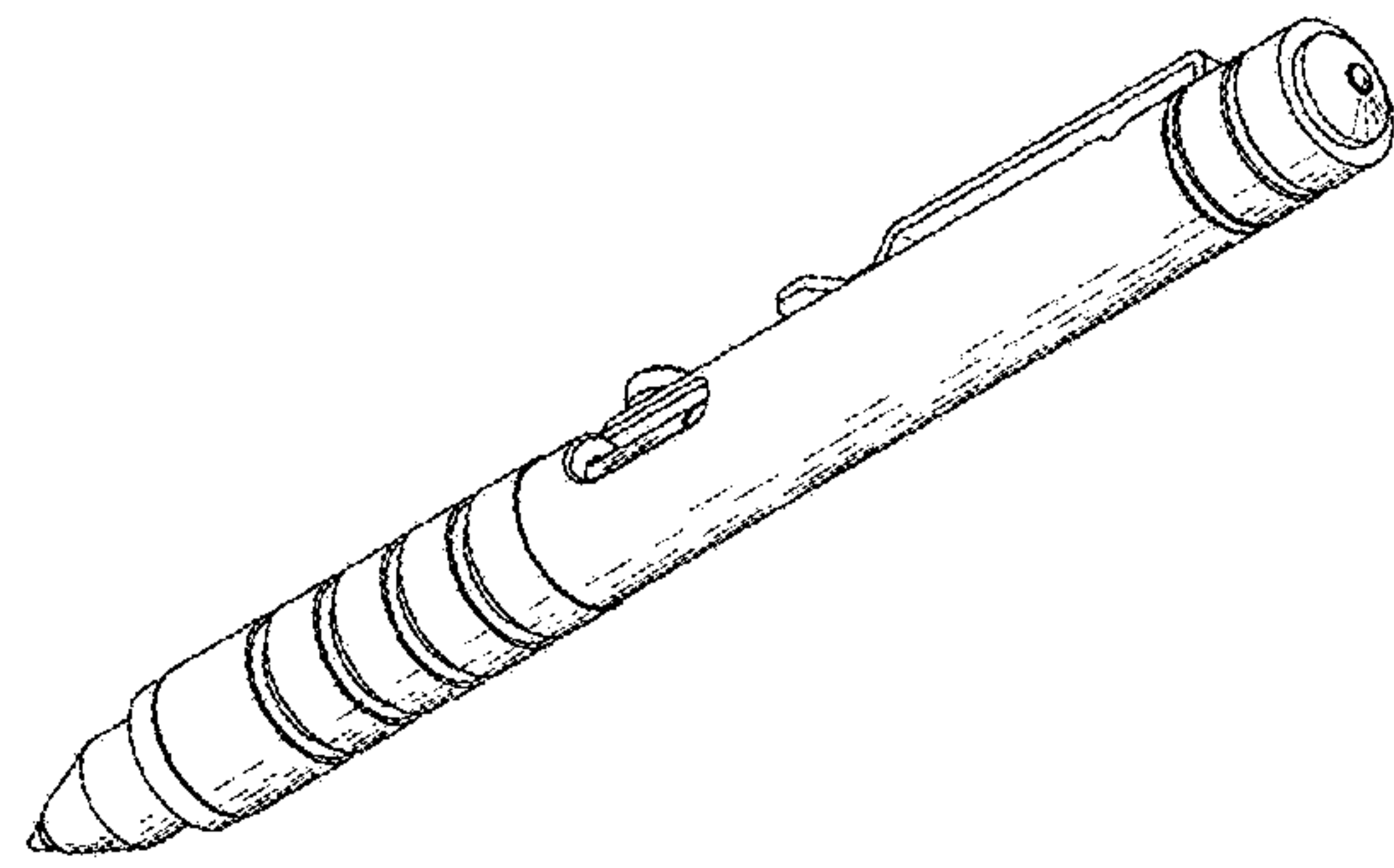


Figure 19