



US00D855697S

(12) **United States Design Patent**
Crescenzo

(10) **Patent No.:** **US D855,697 S**

(45) **Date of Patent:** **** Aug. 6, 2019**

(54) **PENCIL HOLDER**

(71) Applicant: **Felice Crescenzo**, Los Angeles, CA
(US)

(72) Inventor: **Felice Crescenzo**, Los Angeles, CA
(US)

(**) Term: **15 Years**

(21) Appl. No.: **35/505,168**

(22) Filed: **Mar. 9, 2018**

(80) **Hague Agreement Data**

Int. Filing Date: **Mar. 9, 2018**

Int. Reg. No.: **DM/101566**

Int. Reg. Date: **Mar. 9, 2018**

Int. Reg. Pub. Date: **Jun. 22, 2018**

(51) **LOC (12) Cl.** **19-06**

(52) **U.S. Cl.**
USPC **D19/81**

(58) **Field of Classification Search**

USPC D19/75, 77-85, 99; D8/394, 395, 396
CPC . A47F 3/043; A47F 7/03; A47F 7/021; A47B
49/004; A47B 88/90; A47B 2095/024;
F25D 23/026; A63F 1/001; A63F 1/003;
A63F 1/005; A63F 1/006; A63F 1/062;
A63F 1/067; A63F 1/08; A63F 1/10;
A63F 1/12; A63F 1/14; A63F 7/0017;
A63F 7/0023; A63F 9/20
See application file for complete search history.

(56) **References Cited**

U.S. PATENT DOCUMENTS

D134,173 S * 10/1942 Kanter 248/205.5
3,743,294 A * 7/1973 Forster A63F 1/14
273/149 P

D353,091 S * 12/1994 Mumford D9/433
D438,029 S * 2/2001 Brey D6/406.3
D463,310 S * 9/2002 Raines D11/40
D618,391 S * 6/2010 Moore D27/172
D663,357 S * 7/2012 Bookhamer D19/81
D678,174 S * 3/2013 Wass D12/418
D779,205 S * 2/2017 Lawrenson D3/299
D805,815 S * 12/2017 Leonorovitz D6/667
D807,437 S * 1/2018 Rivera D21/394
D812,933 S * 3/2018 Leonorovitz D6/667
D812,934 S * 3/2018 Leonorovitz D6/667
D832,696 S * 11/2018 Balanevsky D9/423

* cited by examiner

Primary Examiner — Khawaja Anwar

(74) *Attorney, Agent, or Firm* — Patshegen IP LLC

(57) **CLAIM**

The ornamental design for a pencil holder, as shown and described.

DESCRIPTION

1. Pencil holder

FIG. 1.1 is a perspective view of a pencil holder showing my design;

FIG. 1.2 is a front side elevation view thereof;

FIG. 1.3 is a rear side elevation view thereof;

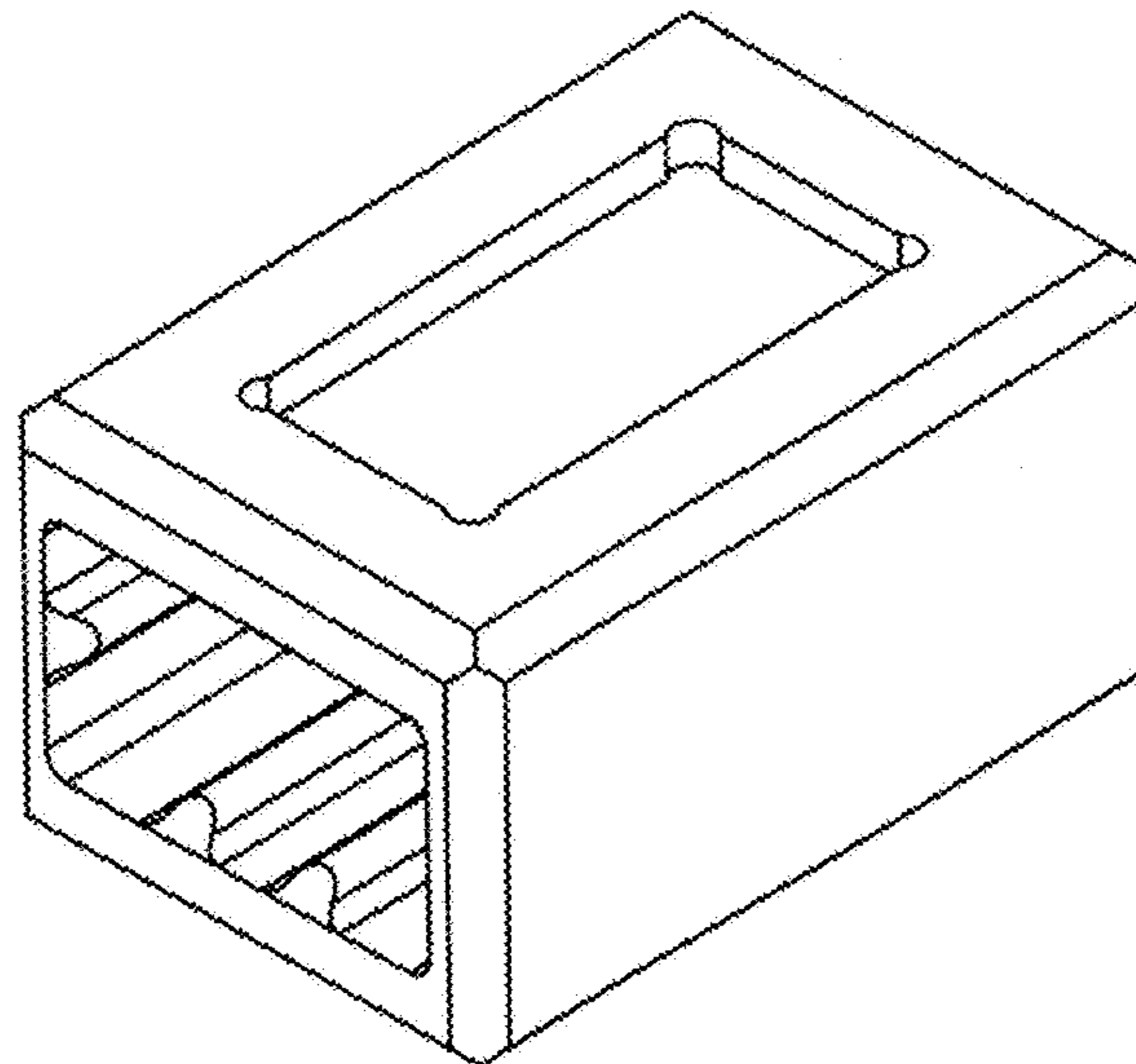
FIG. 1.4 is a top plan view thereof;

FIG. 1.5 is a bottom plan view thereof;

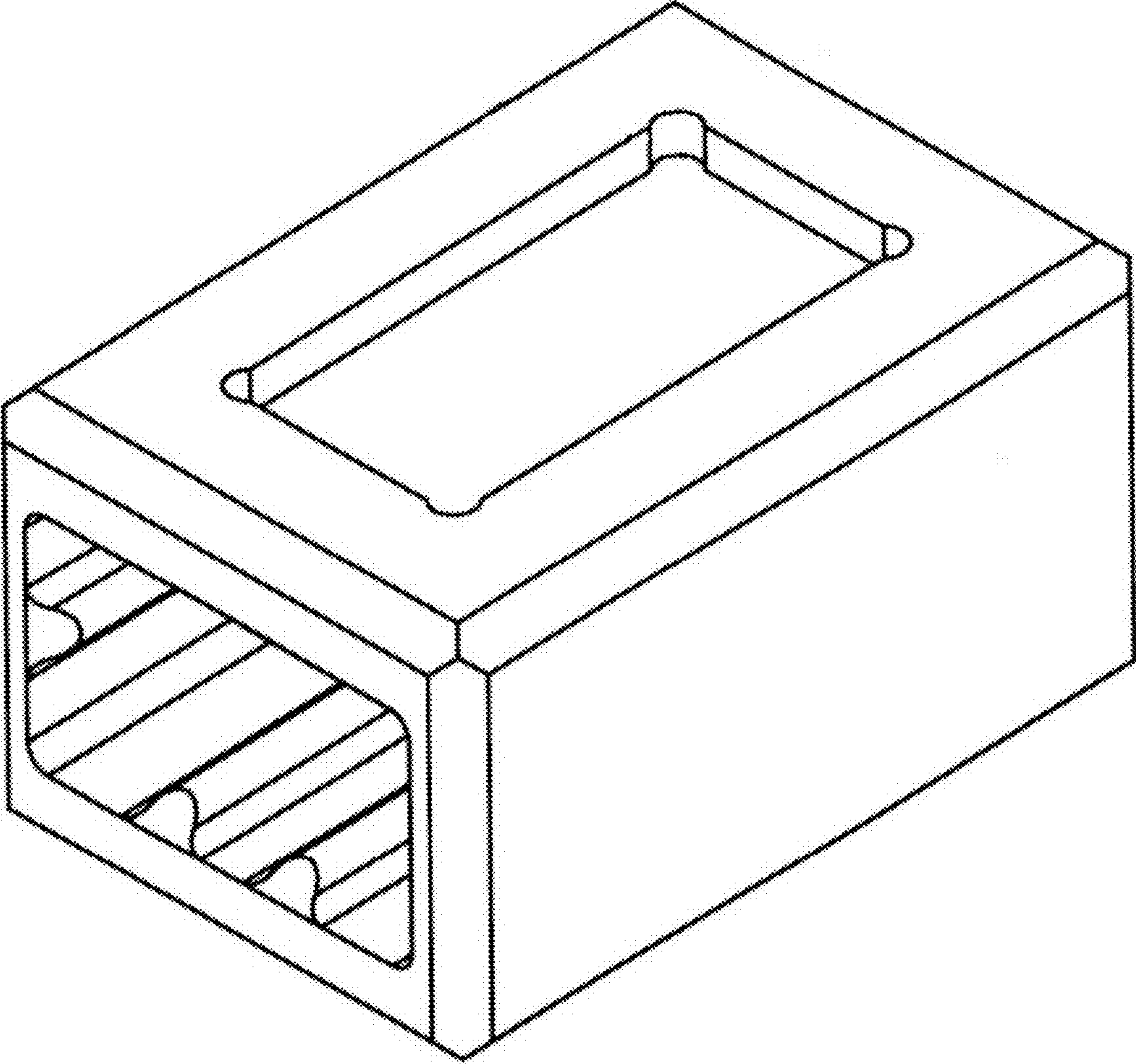
FIG. 1.6 is a side elevation view thereof; and

FIG. 1.7 is another side view thereof.

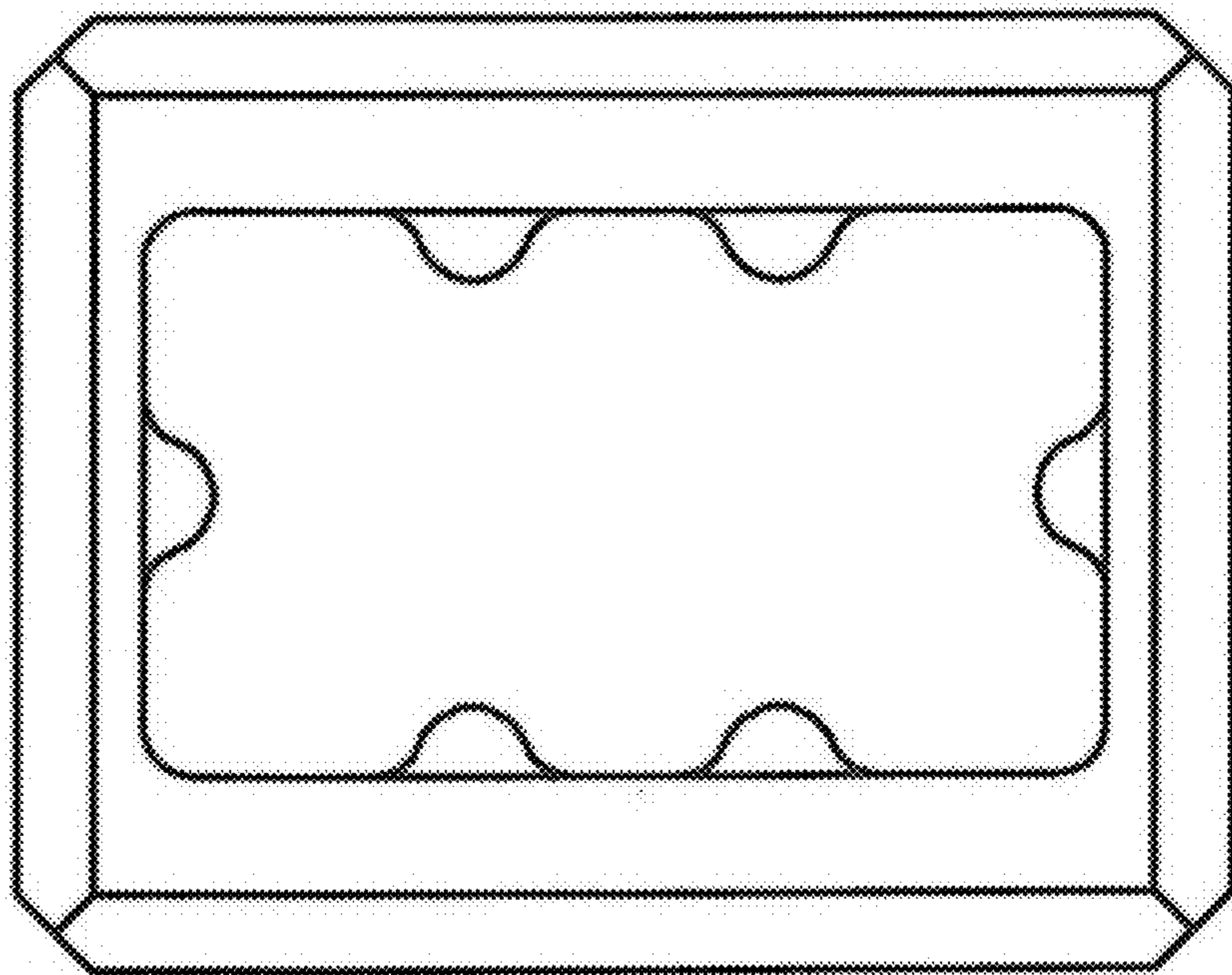
1 Claim, 7 Drawing Sheets



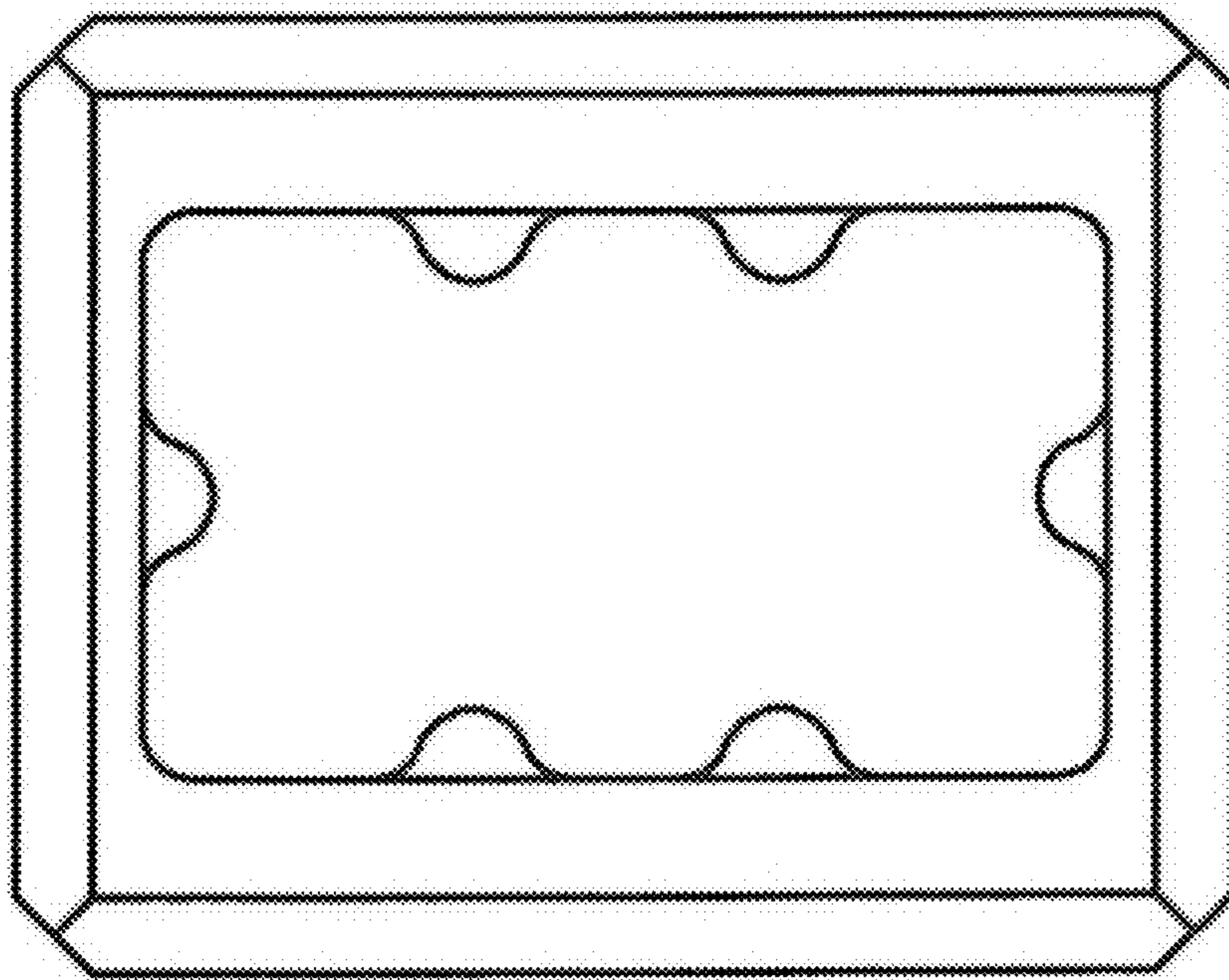
1.1



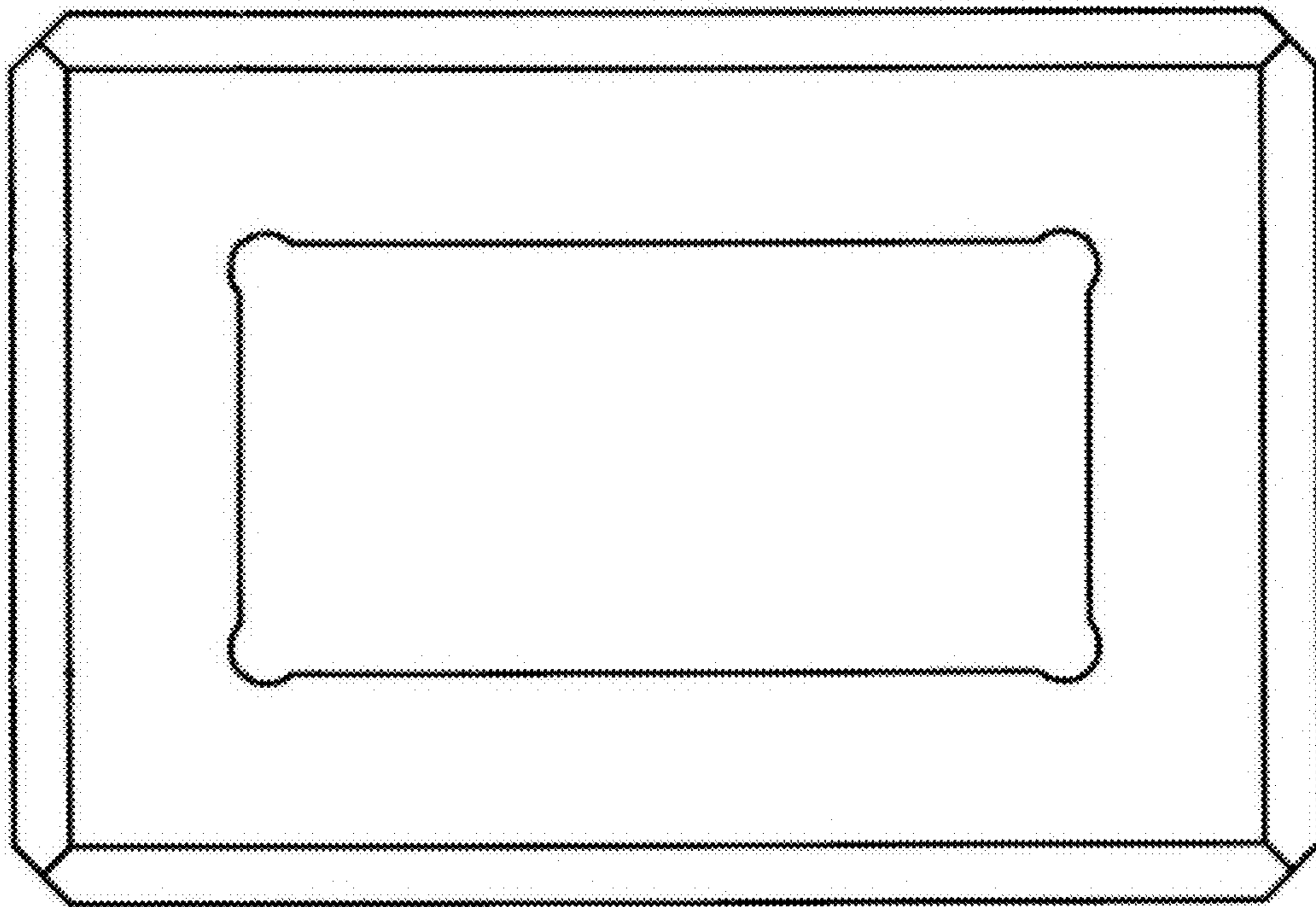
1.2



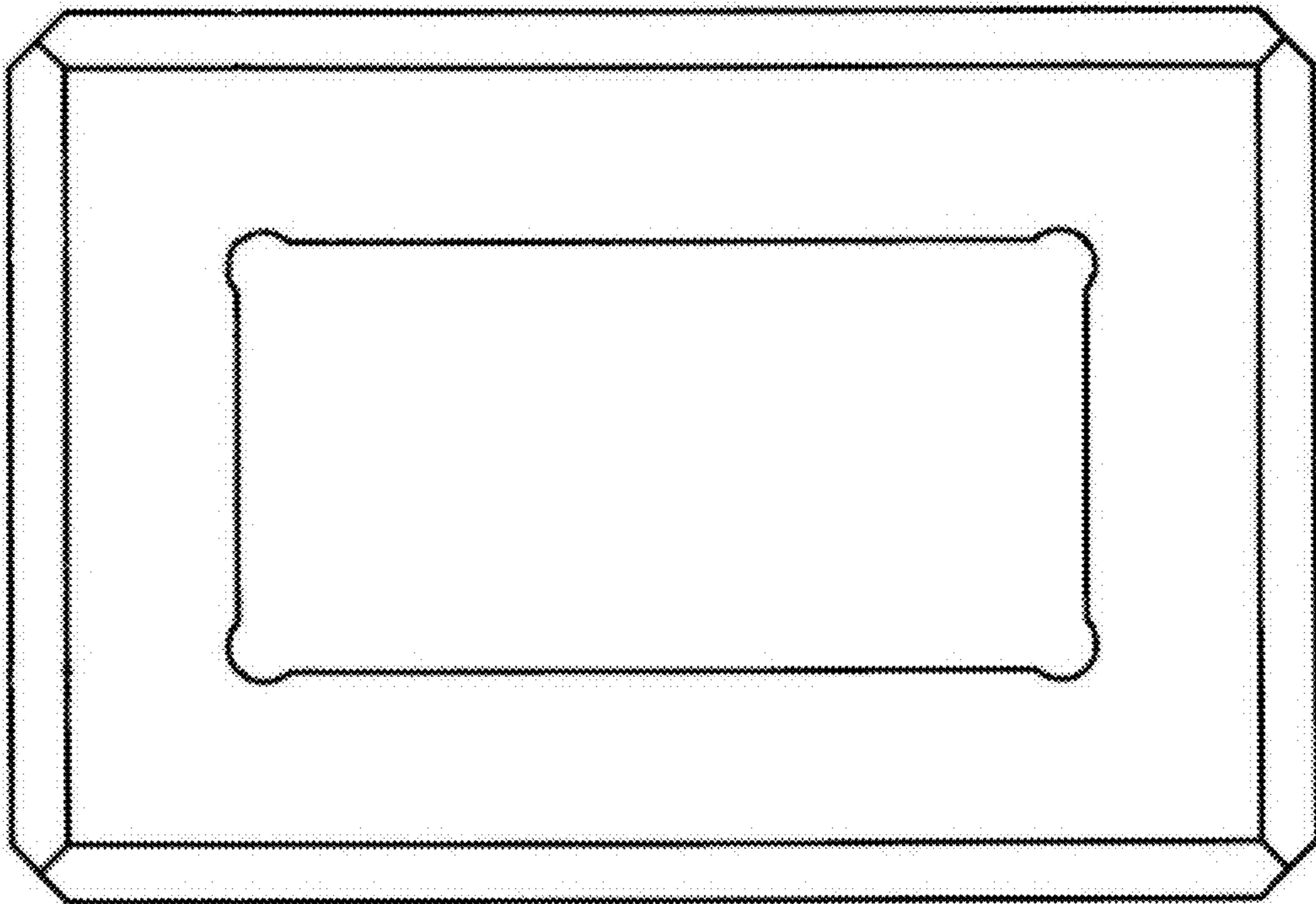
1.3



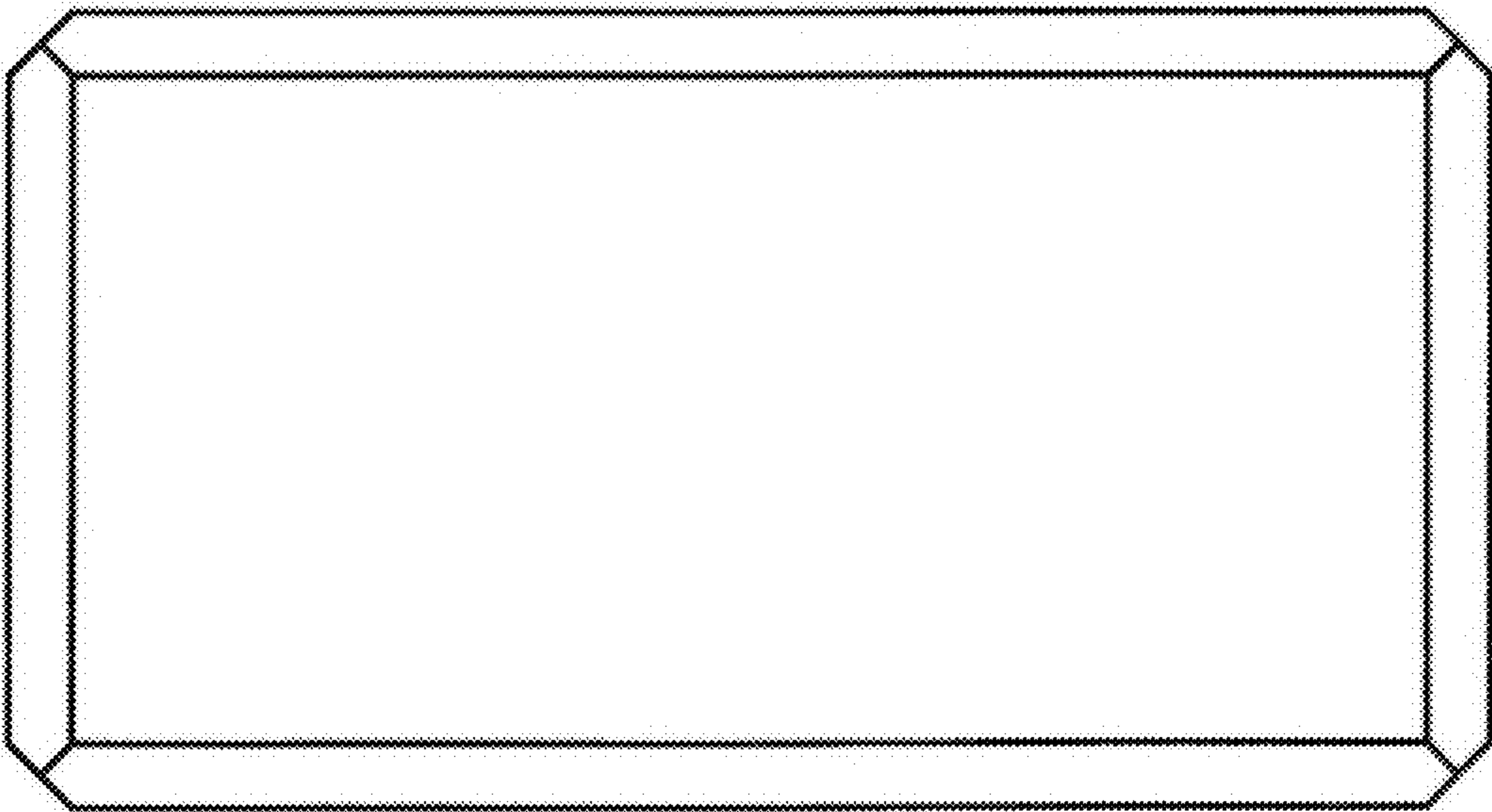
1.4



1.5



1.6



1.7

