



US00D855696S

(12) **United States Design Patent** (10) **Patent No.:** **US D855,696 S**  
**Lusson et al.** (45) **Date of Patent:** **\*\* Aug. 6, 2019**

(54) **TAPE DISPENSER** 5,851,348 A \* 12/1998 Muenzer ..... B65C 11/004  
156/577  
(71) Applicant: **3M INNOVATIVE PROPERTIES** D425,347 S \* 5/2000 Anderberg ..... D6/515  
**COMPANY**, St. Paul, MN (US) D456,449 S \* 4/2002 Dunshee ..... B65H 35/0026  
D19/67  
(72) Inventors: **Jacob T. Lusson**, Minneapolis, MN 6,386,416 B1 \* 5/2002 Dunshee ..... B65H 35/0026  
(US); **Alonso M. Hernandez**, St. Paul, 225/43  
MN (US); **James E. Nash**, D458,638 S \* 6/2002 Grossman ..... D19/69  
Bloomington, MN (US) D463,496 S \* 9/2002 Holbrook ..... D19/67  
D486,520 S \* 2/2004 Sherman ..... D19/67  
7,641,087 B2 \* 1/2010 Chang ..... B65H 35/0026  
(73) Assignee: **3M INNOVATIVE PROPERTIES** 225/43  
**COMPANY**, St. Paul, MN (US) 7,938,066 B2 \* 5/2011 Scheid ..... F42D 3/00  
102/331

(\*\*) Term: **15 Years**

(Continued)

(21) Appl. No.: **29/629,613**  
(22) Filed: **Dec. 14, 2017**  
(51) **LOC (12) Cl.** ..... **19-02**  
(52) **U.S. Cl.**  
USPC ..... **D19/69**  
(58) **Field of Classification Search**  
USPC .... D19/65, 66, 67, 68, 69; D6/515; D9/734  
CPC .. B65H 35/00; B65H 35/0006; B65H 35/002;  
B65H 35/0026; B65H 35/0033; B65H  
35/0053; B65H 35/0073; B65H 35/008;  
B65H 35/06  
See application file for complete search history.

**FOREIGN PATENT DOCUMENTS**

CN 303160362 4/2015  
CN 303793914 8/2016  
TW D129579 7/2009

*Primary Examiner* — Elizabeth A. Albert  
(74) *Attorney, Agent, or Firm* — Irina Hass

(57) **CLAIM**

The ornamental design for a tape dispenser, as shown and described.

**DESCRIPTION**

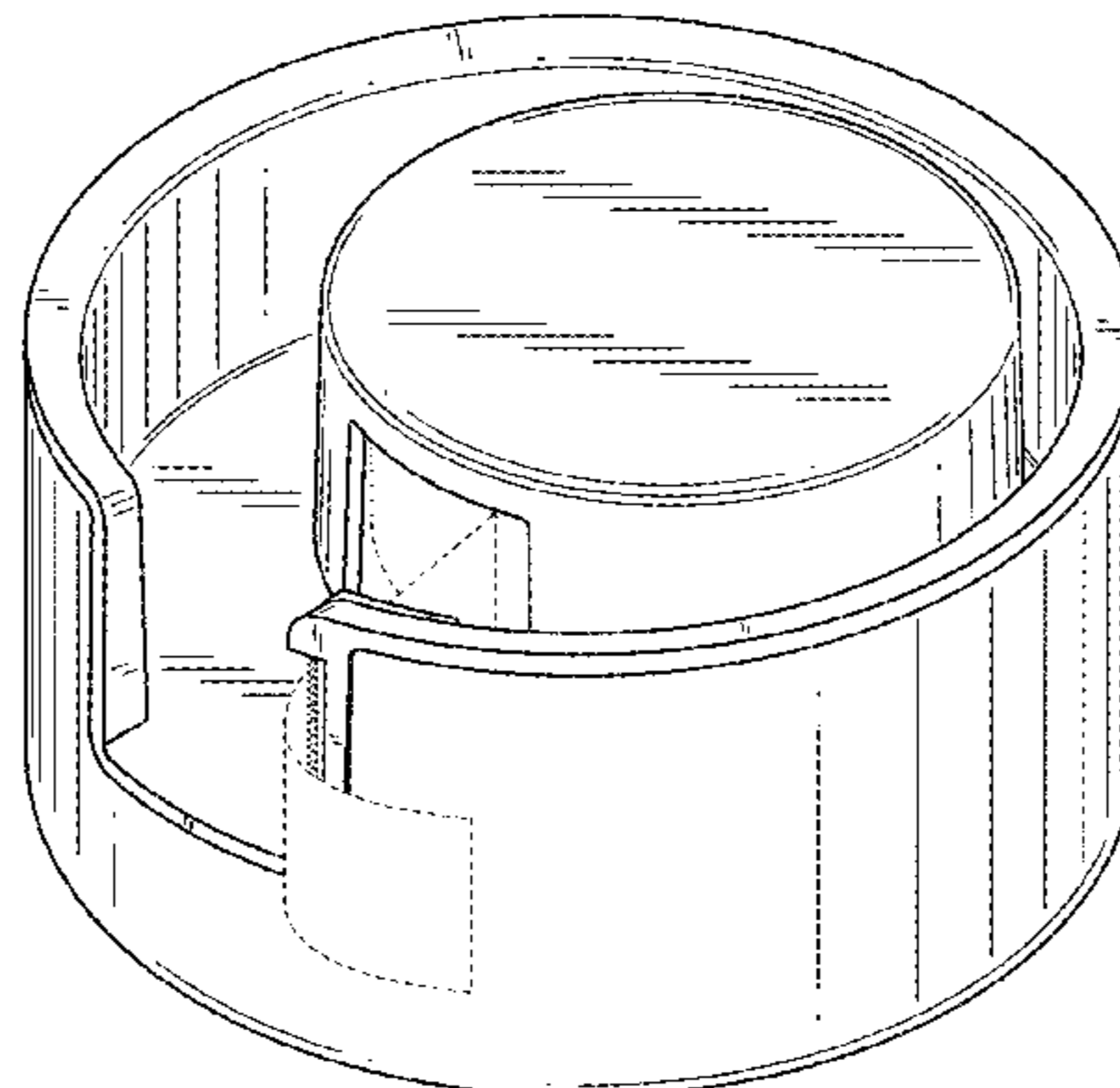
FIG. 1 is a perspective view showing the new design for a tape dispenser;  
FIG. 2 is a front view thereof;  
FIG. 3 is a left side view thereof;  
FIG. 4 is a right side view thereof;  
FIG. 5 is a rear view thereof;  
FIG. 6 is a top view thereof; and,  
FIG. 7 is a bottom view thereof.  
The portions of the tape dispenser in FIGS. 1-7 shown in broken lines are included to show features that form no part of the claimed design.

(56) **References Cited**

**U.S. PATENT DOCUMENTS**

2,694,533 A \* 11/1954 Zucker ..... B65H 35/0026  
242/588.6  
D192,455 S \* 3/1962 Castelli ..... D19/67  
4,400,231 A \* 8/1983 Martin ..... B65H 35/0033  
156/527  
D323,531 S \* 1/1992 Fortune ..... D19/67  
5,280,869 A \* 1/1994 Ricci ..... B65H 75/12  
242/588.2  
5,634,570 A \* 6/1997 Casper ..... B65H 35/0026  
206/395

**1 Claim, 3 Drawing Sheets**



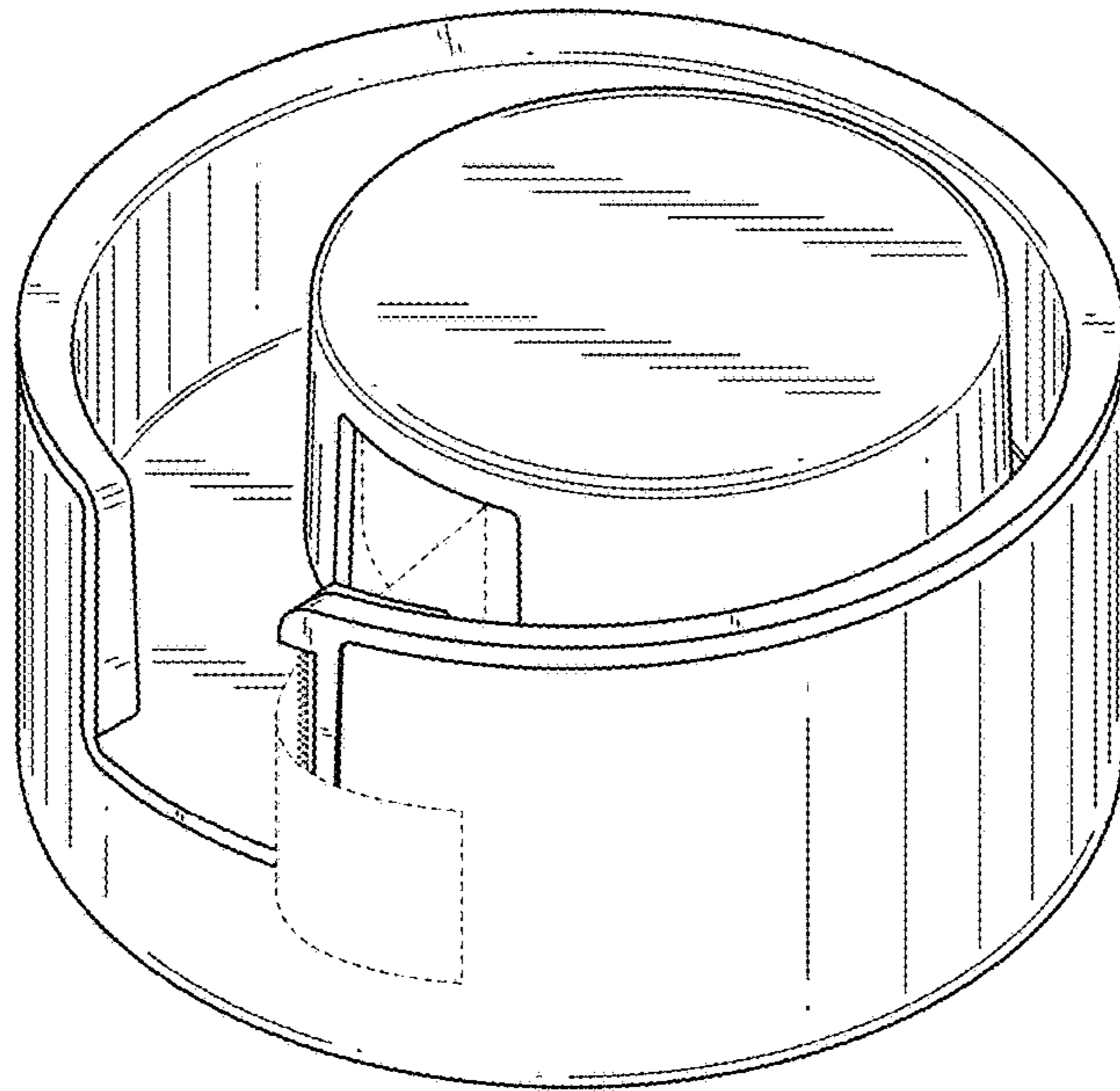
(56)

**References Cited**

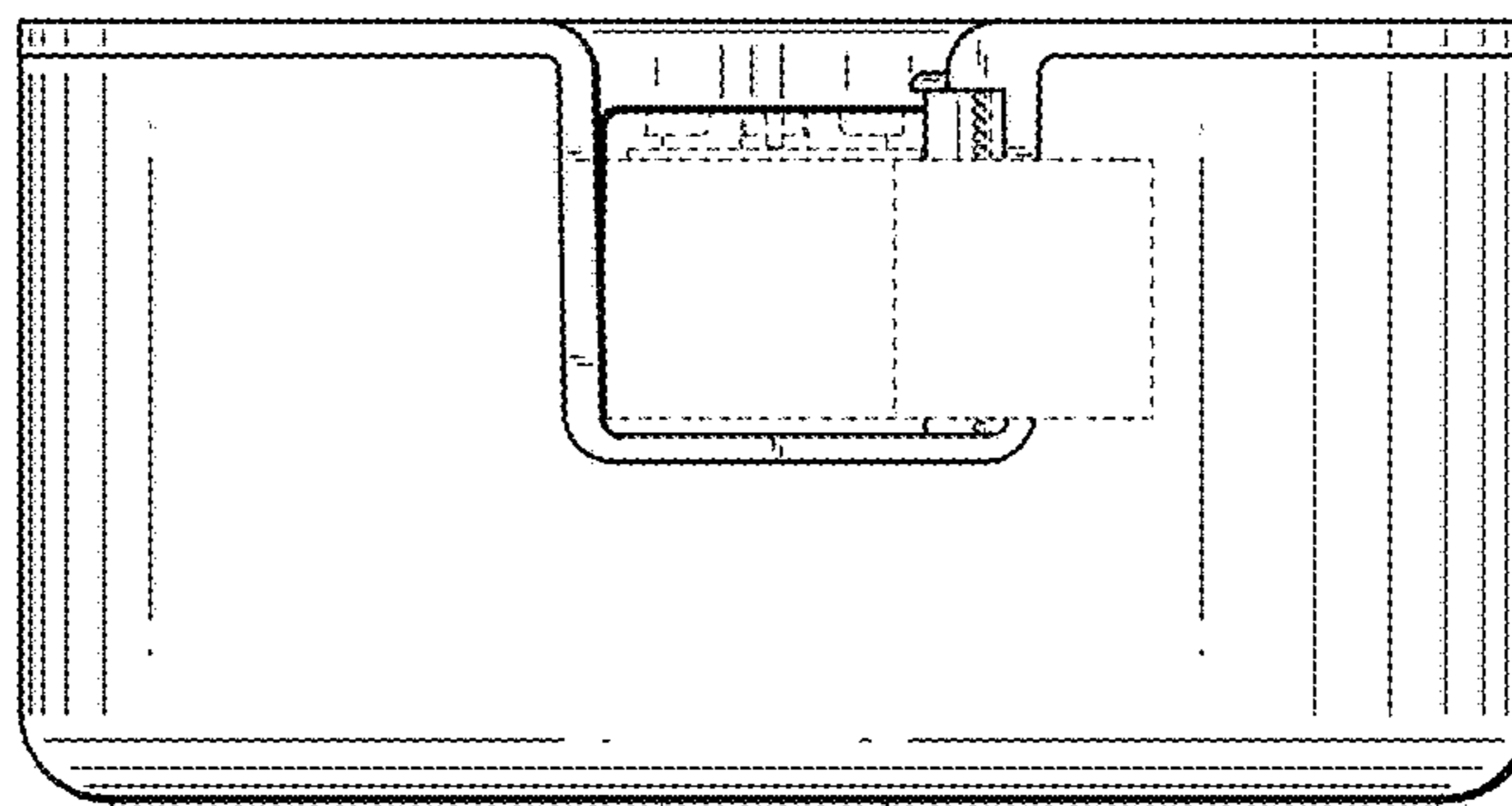
U.S. PATENT DOCUMENTS

D721,975 S \* 2/2015 Arefieg ..... D19/69  
9,096,372 B2 \* 8/2015 Vulpitta ..... B65D 85/672

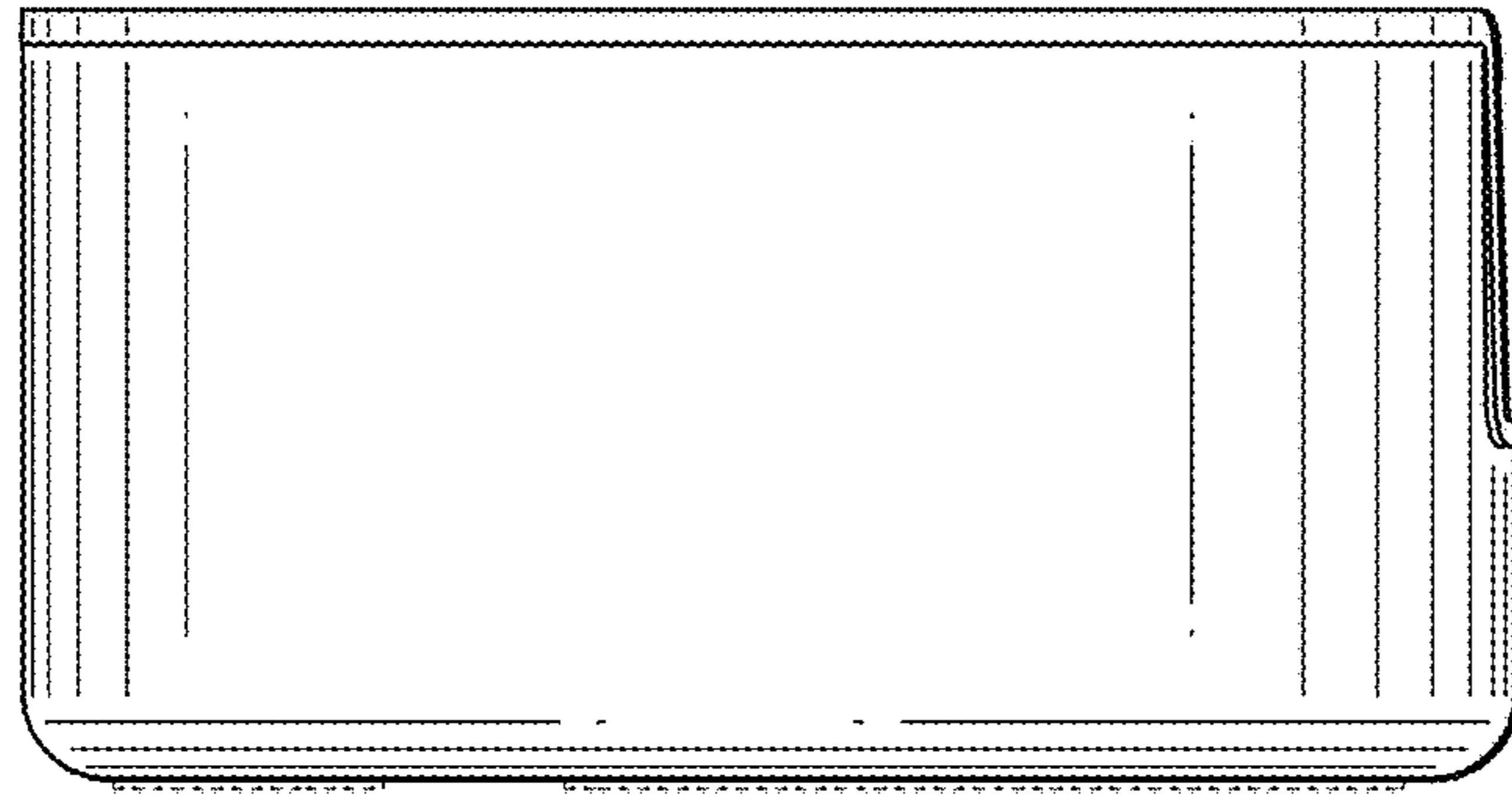
\* cited by examiner



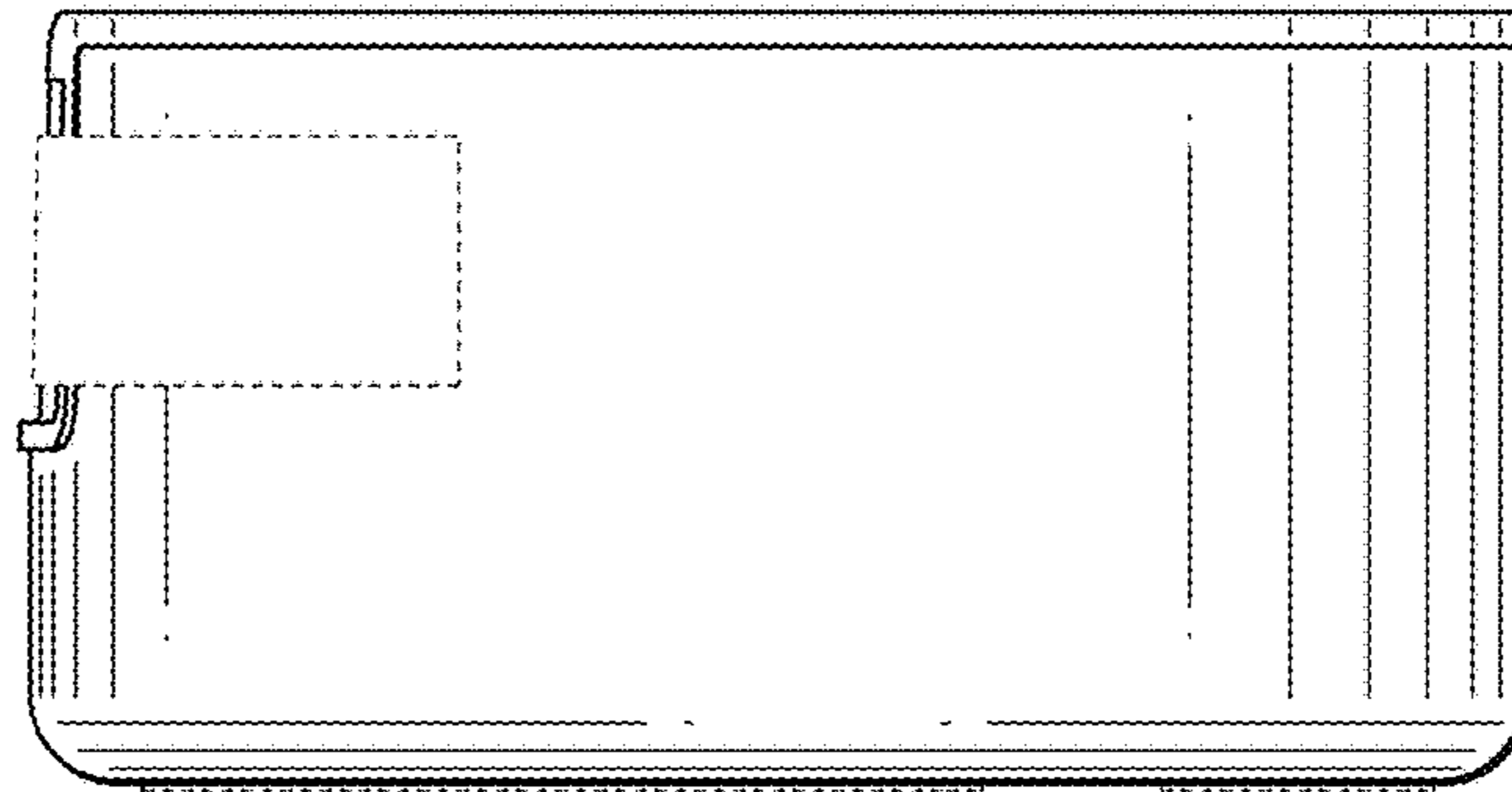
*FIG. 1*



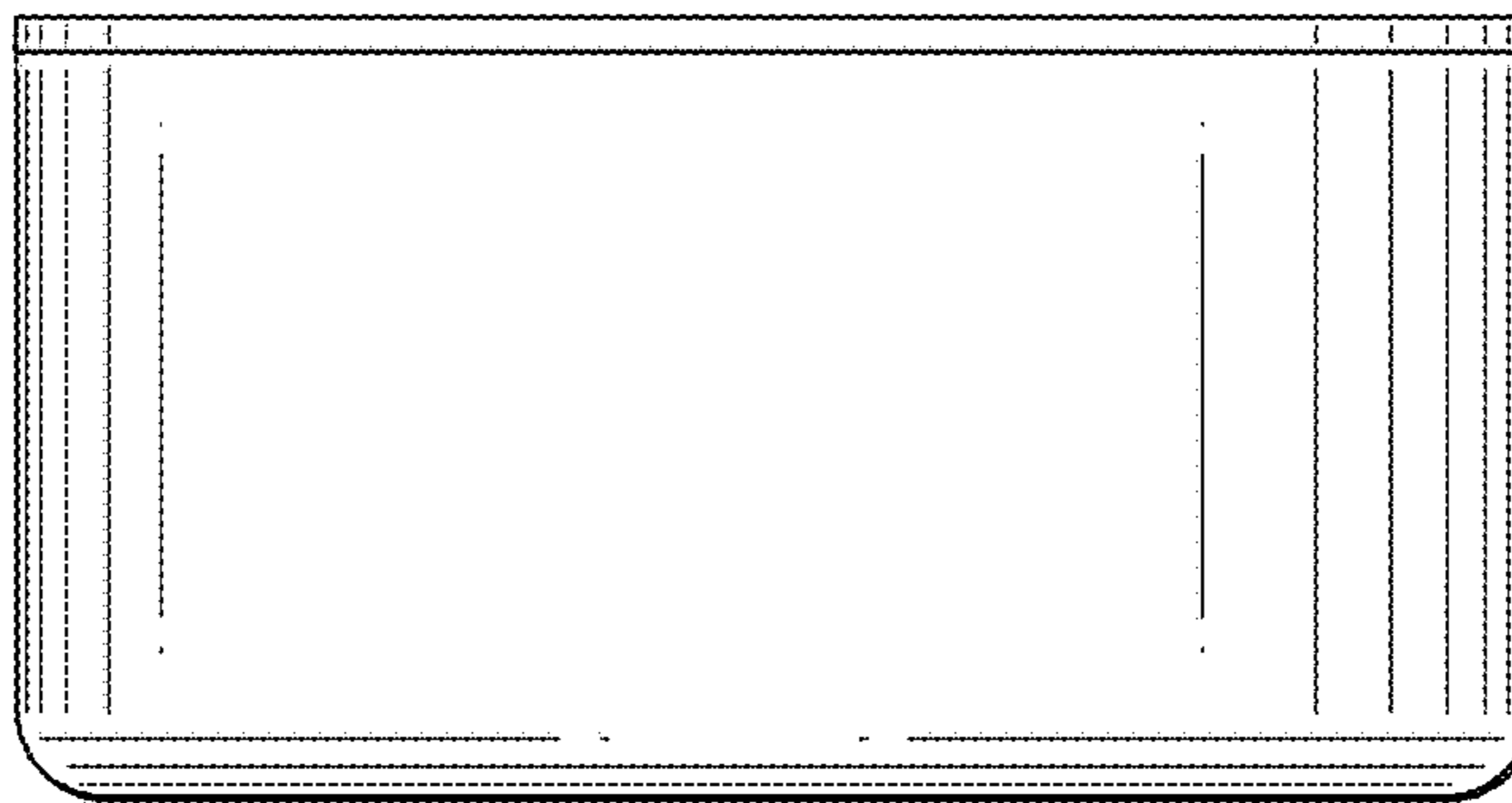
*FIG. 2*



*FIG. 3*



*FIG. 4*



*FIG. 5*

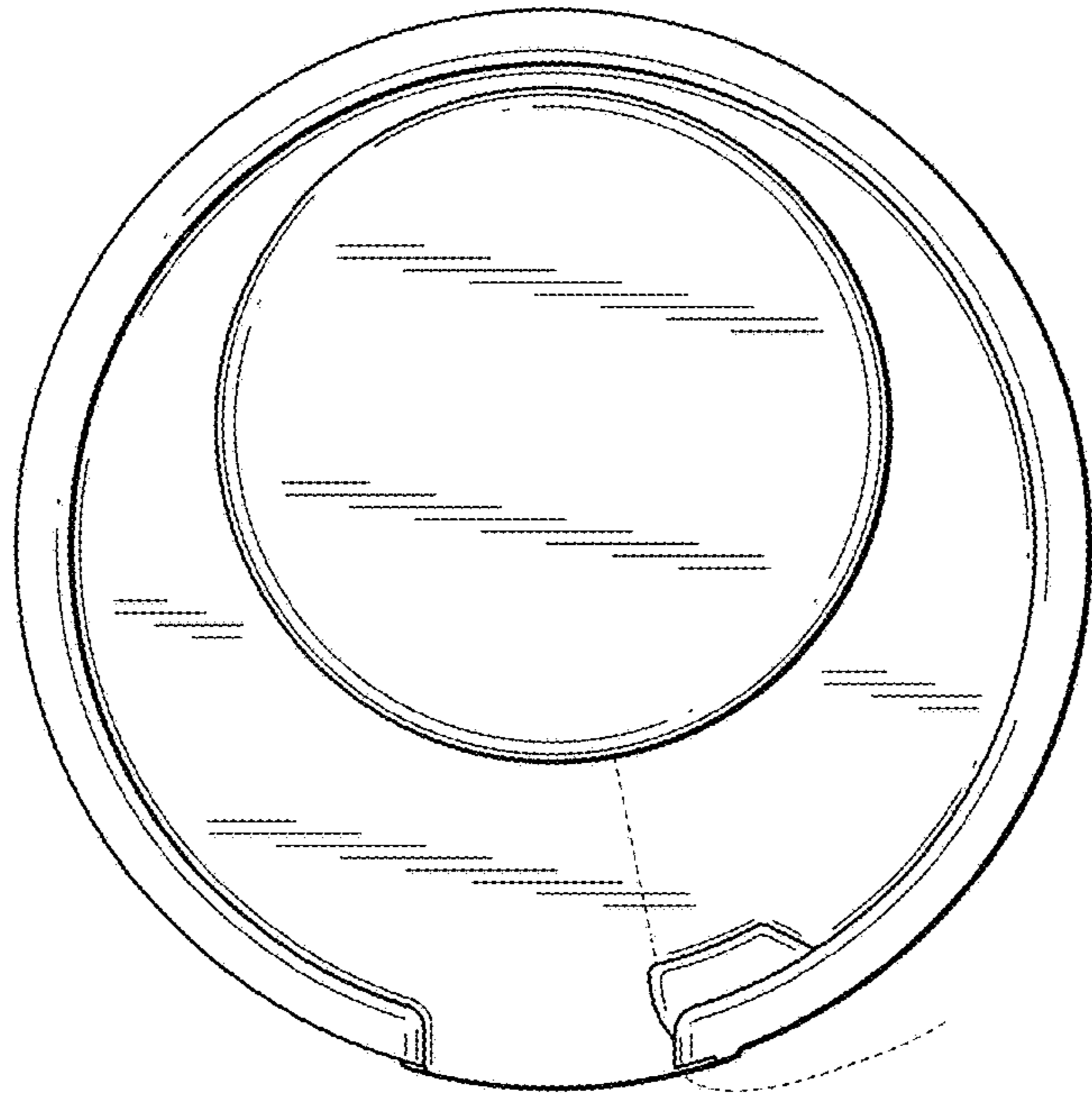


FIG. 6



FIG. 7