



US00D855692S

(12) **United States Design Patent** (10) **Patent No.:** **US D855,692 S**
Eun (45) **Date of Patent:** **** Aug. 6, 2019**

(54) **PRINTER**

(71) Applicant: **POSBANK CO., LTD.**, Seoul (KR)

(72) Inventor: **Dong Uk Eun**, Gyeonggi-do (KR)

(73) Assignee: **POSBANK CO., LTD.**, Seoul (KR)

(**) Term: **15 Years**

(21) Appl. No.: **29/613,014**

(22) Filed: **Aug. 7, 2017**

(30) **Foreign Application Priority Data**

Jun. 12, 2017 (KR) 30-2017-0026519

(51) **LOC (12) Cl.** **14-02**

(52) **U.S. Cl.**
USPC **D18/50**

(58) **Field of Classification Search**

USPC D14/421; D18/36-37, 50, 54, 39

CPC ... B41J 11/00; B41J 11/58; A41J 15/12; A41J

15/42; G03G 21/1633; G06K 15/12

See application file for complete search history.

(56) **References Cited**

U.S. PATENT DOCUMENTS

D325,927 S *	5/1992	Fushiya	D18/54
D432,160 S *	10/2000	Kabumoto	D18/37
D474,805 S *	5/2003	Gotham	D18/50
D544,530 S *	6/2007	Omuro	D18/50
D558,819 S *	1/2008	Kimura	D18/50
D641,394 S *	7/2011	Inada	D18/50
D686,275 S *	7/2013	Nakazawa	D18/50
D711,463 S *	8/2014	Costabeber	D14/300
D761,902 S *	7/2016	Matsumoto	D18/50
D761,903 S *	7/2016	Matsumoto	D18/50

(Continued)

Primary Examiner — Robin V Webster

Assistant Examiner — J. Thorn, Sr.

(74) *Attorney, Agent, or Firm* — Marshall, Gerstein & Borun LLP

(57) **CLAIM**

The ornamental design for a printer, as shown and described.

DESCRIPTION

FIG. 1 is an orthographic view of a printer, showing the new design, with the printer arranged in a first arrangement, showing a first side of the printer serving as a top and a second side of the printer serving as a front that here faces to the left.

FIG. 2 is a front, left-side, and top orthographic view of the same printer in the same arrangement.

FIG. 3 is a top plan view of the printer in the first arrangement, showing the first side.

FIG. 4 is a front elevation view of the printer in the first arrangement, showing the second side.

FIG. 5 is a right-side elevation view of the printer in the first arrangement.

FIG. 6 is a rear elevation view of the printer in the first arrangement.

FIG. 7 is a left-side elevation view of the printer in the first arrangement.

FIG. 8 is a bottom, right-side, and back orthographic view of the same printer in the same arrangement.

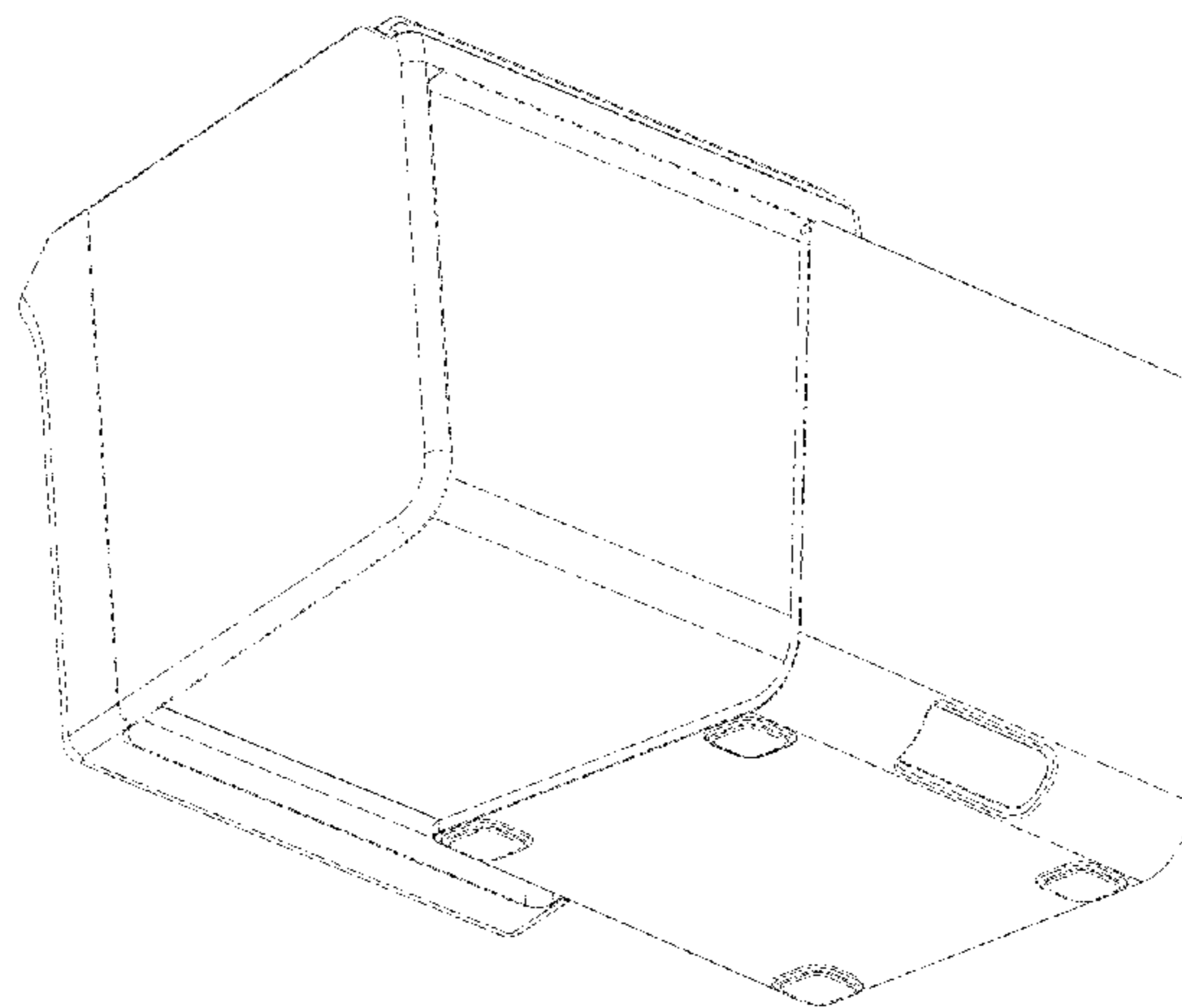
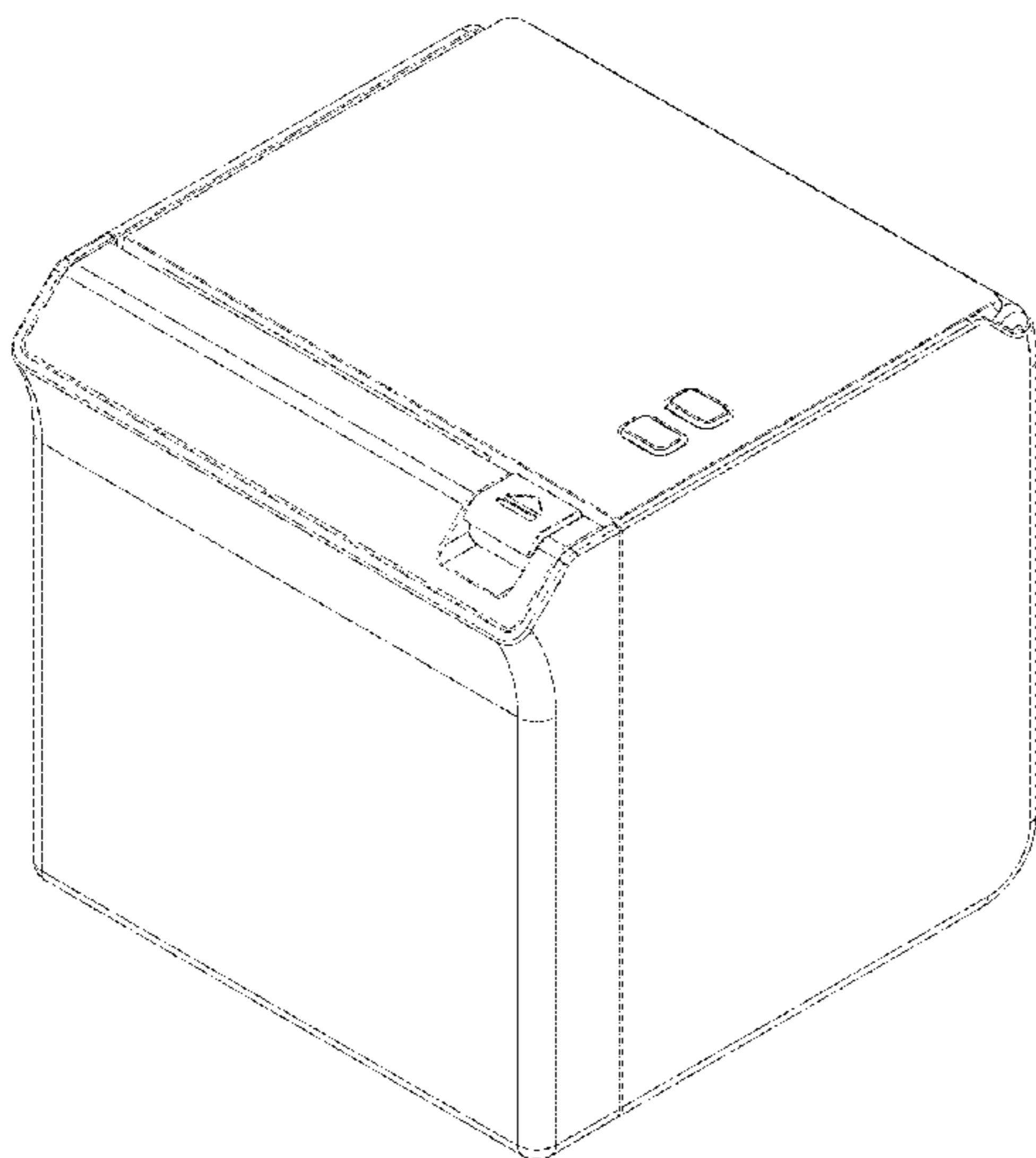
FIG. 9 is the same orthographic view as FIG. 8, but showing an outer cover of the printer in a partially removed position.

FIG. 10 is the same orthographic view as FIG. 9, but with the outer cover in a reversed position.

FIG. 11 is the same orthographic view as FIG. 10, but with the cover installed in the reversed position; and,

FIG. 12 is an orthographic view of the same printer arranged in a second arrangement in which the cover is installed as seen in FIG. 10, and the first side serves as the front (rather than as the top) and the second side serves as the top (rather than as the front).

1 Claim, 12 Drawing Sheets



(56)

References Cited

U.S. PATENT DOCUMENTS

D786,341 S * 5/2017 Iwai D18/19
2017/0168449 A1 * 6/2017 Suzuki G03G 21/1633

* cited by examiner

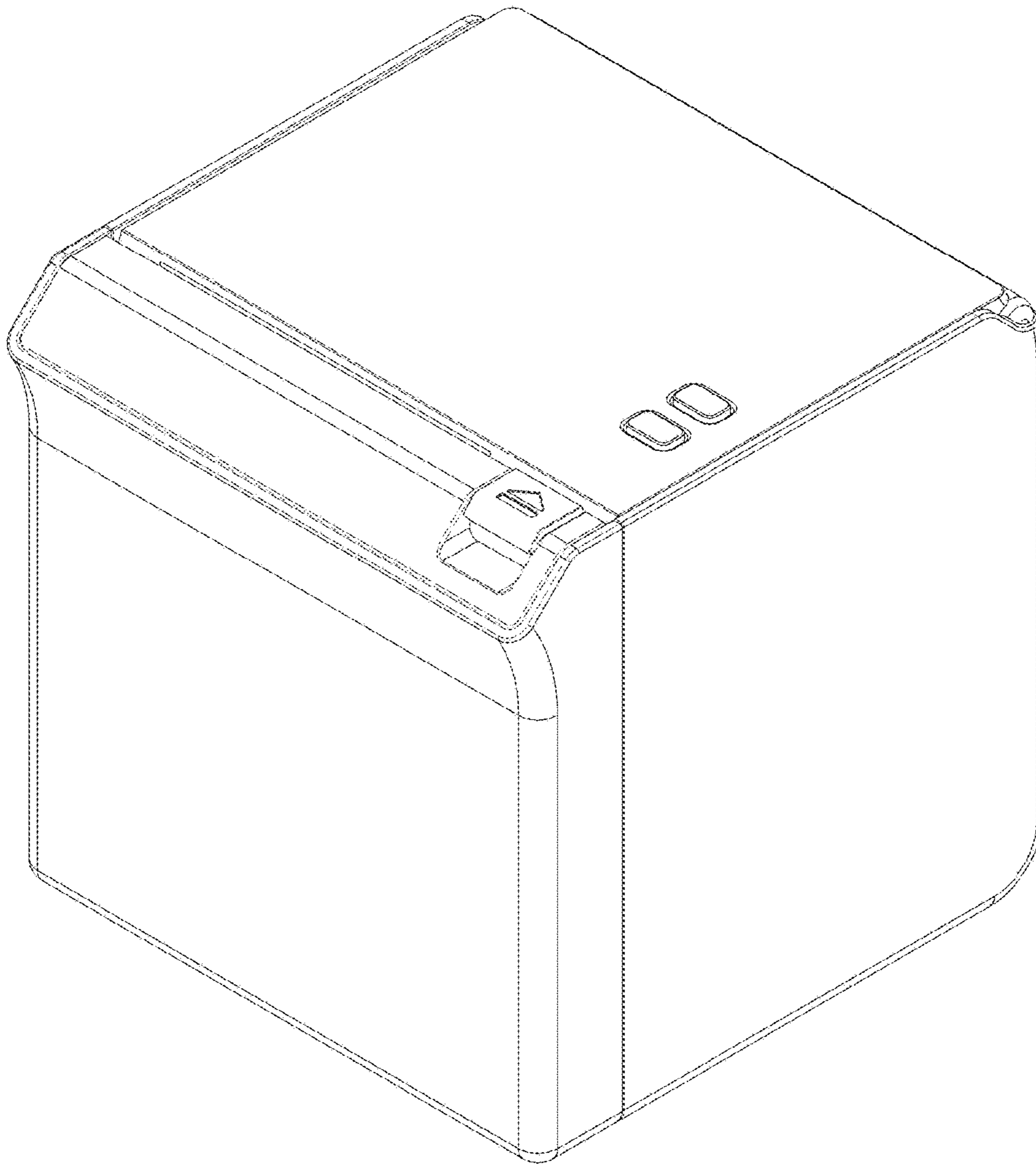


FIG. 1

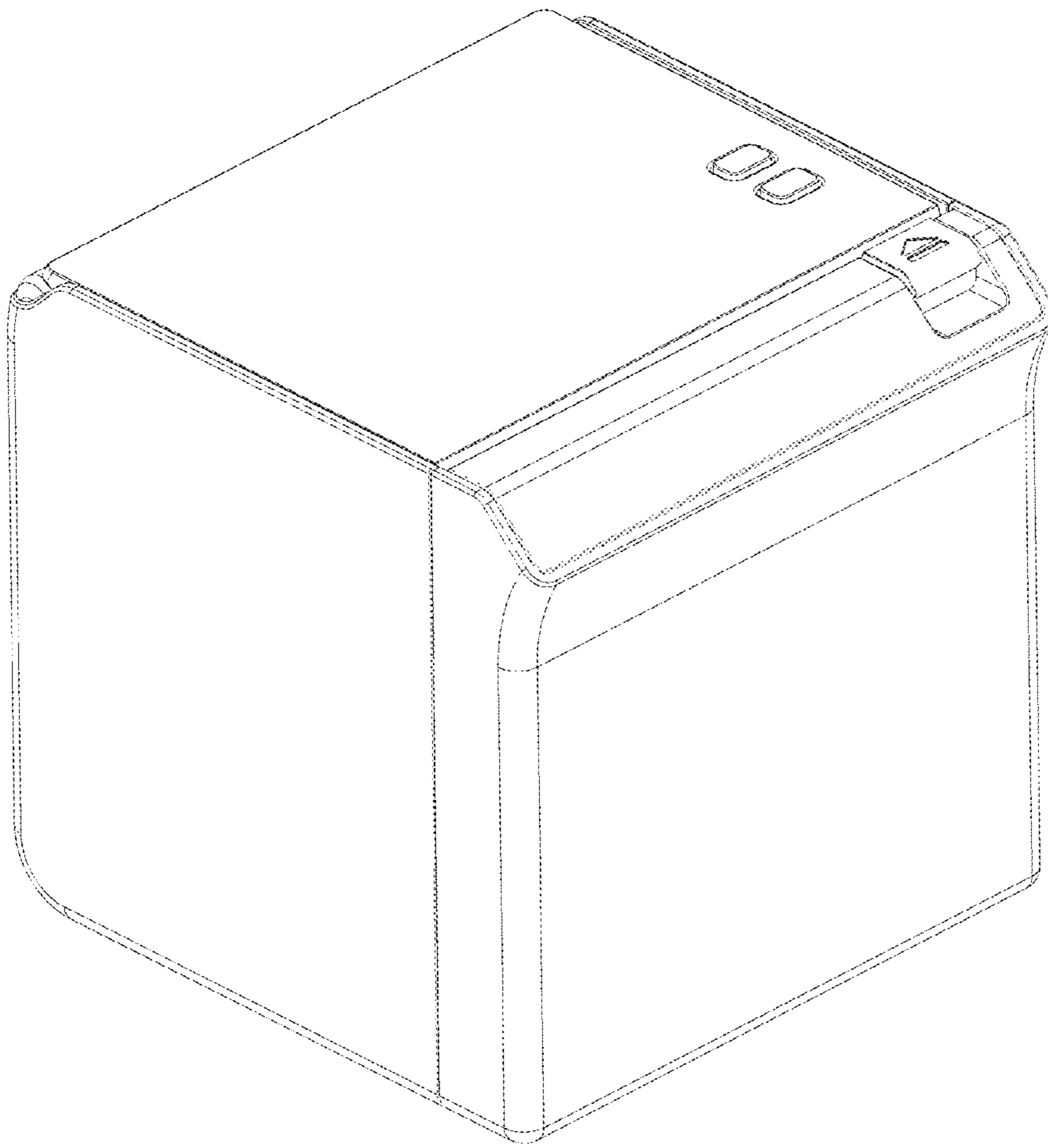


FIG. 2

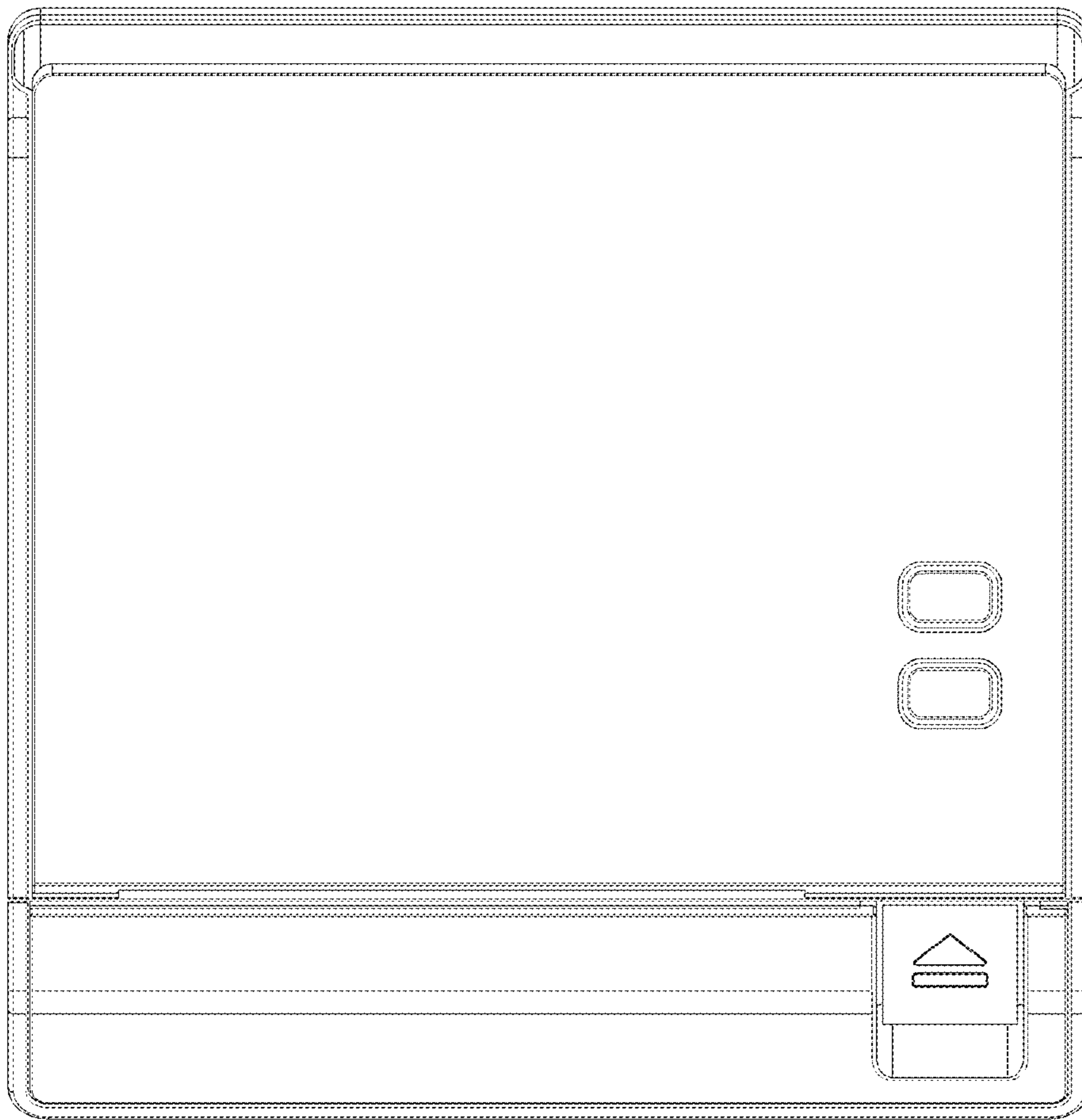


FIG. 3

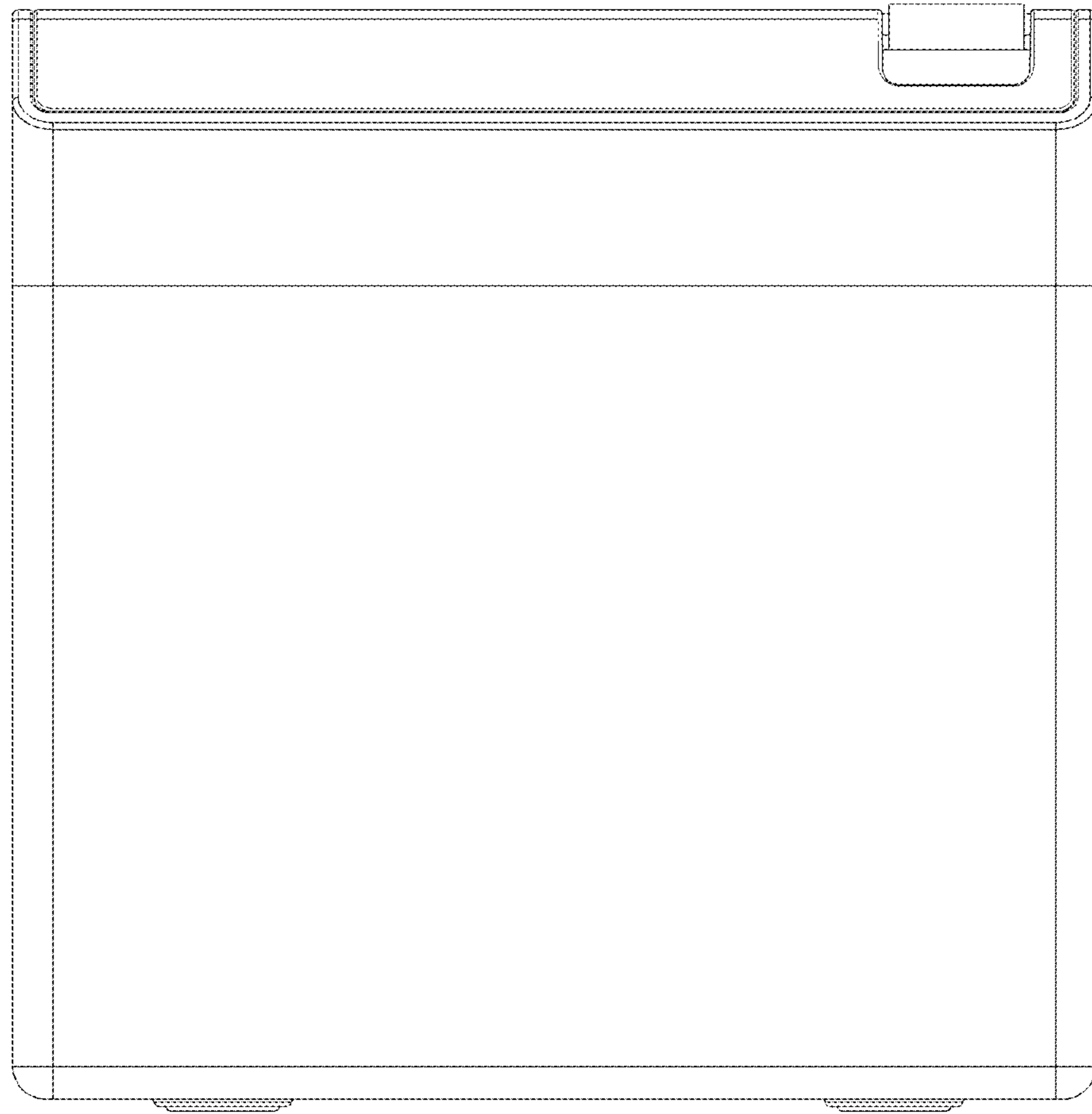


FIG. 4

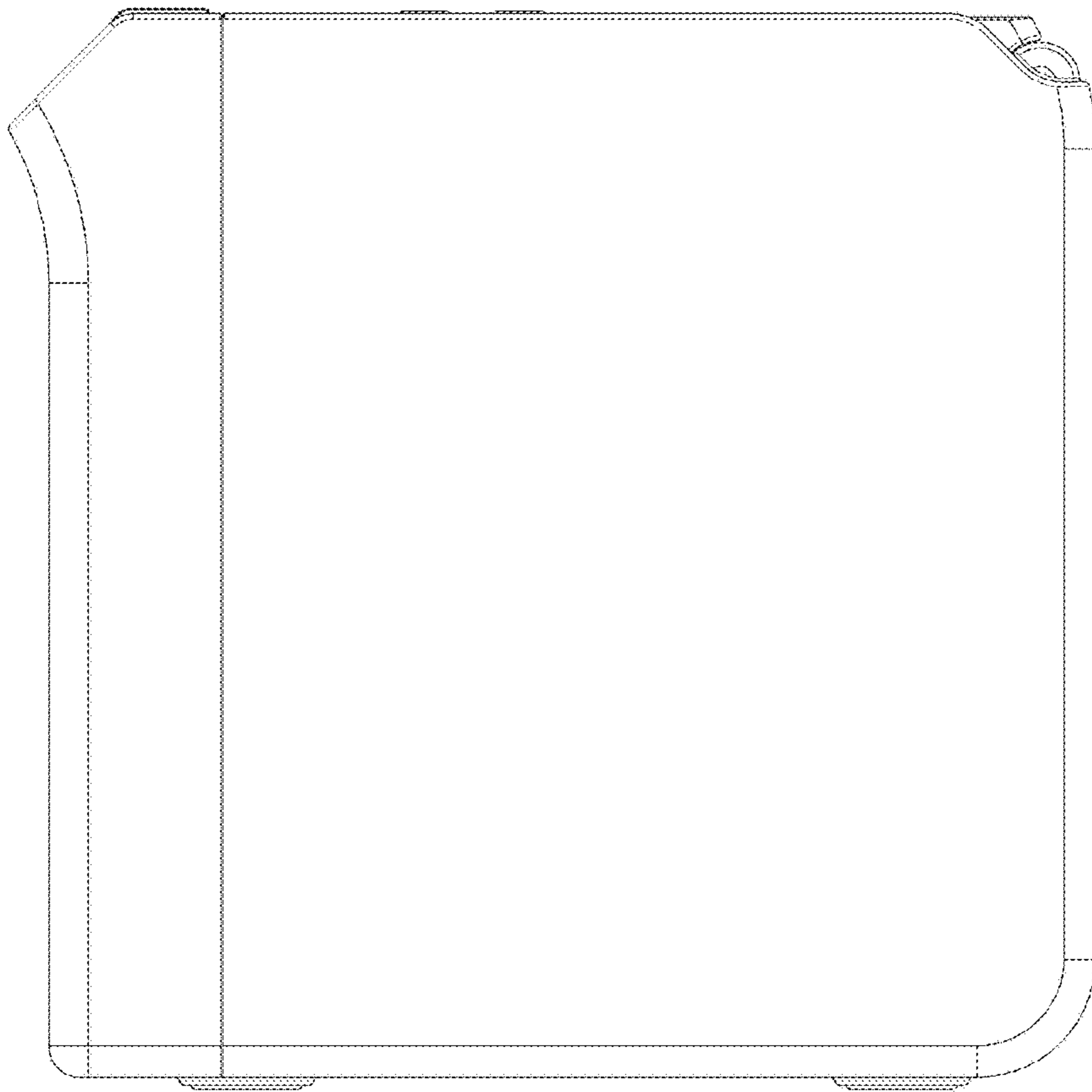


FIG. 5

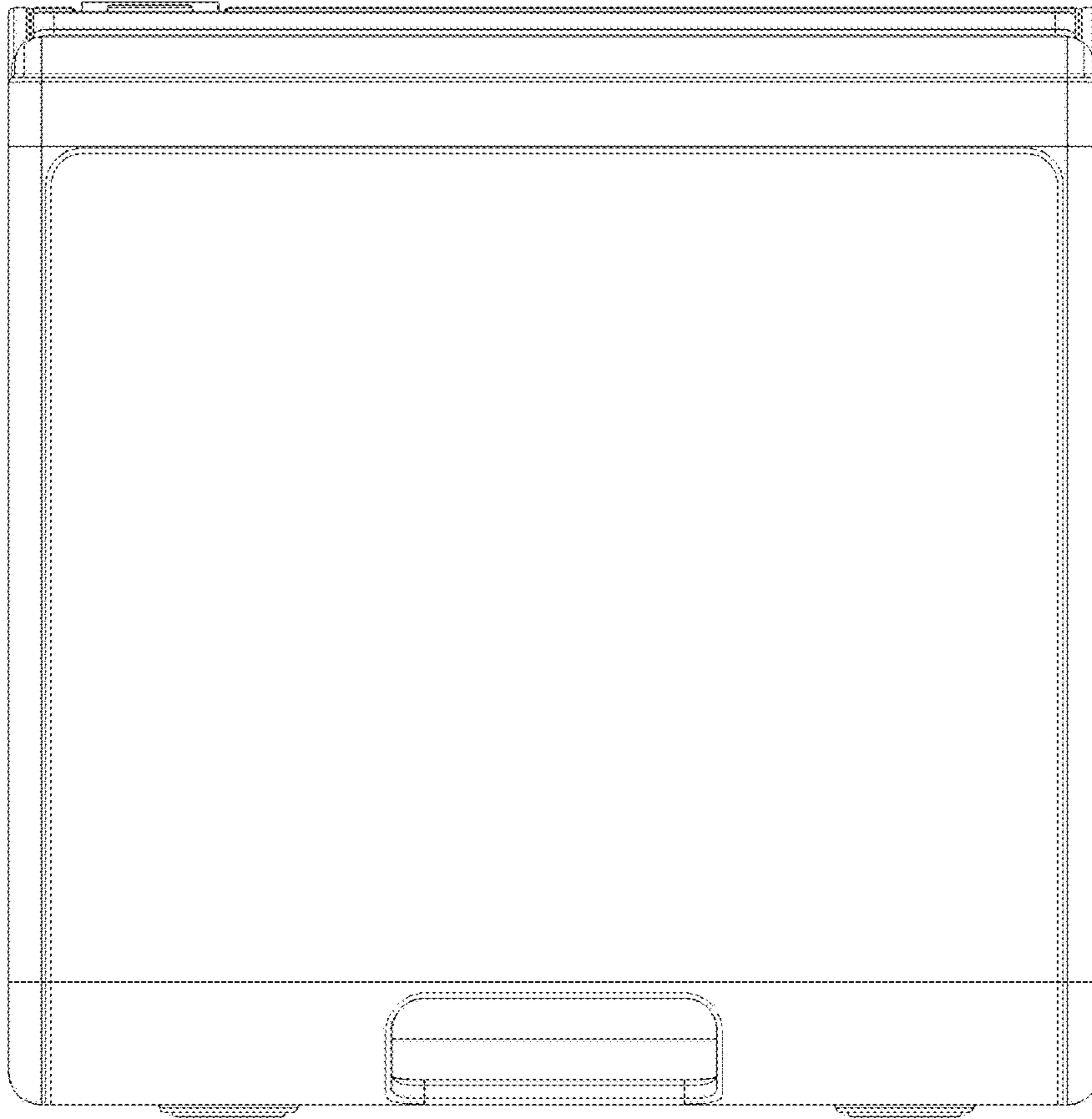


FIG. 6

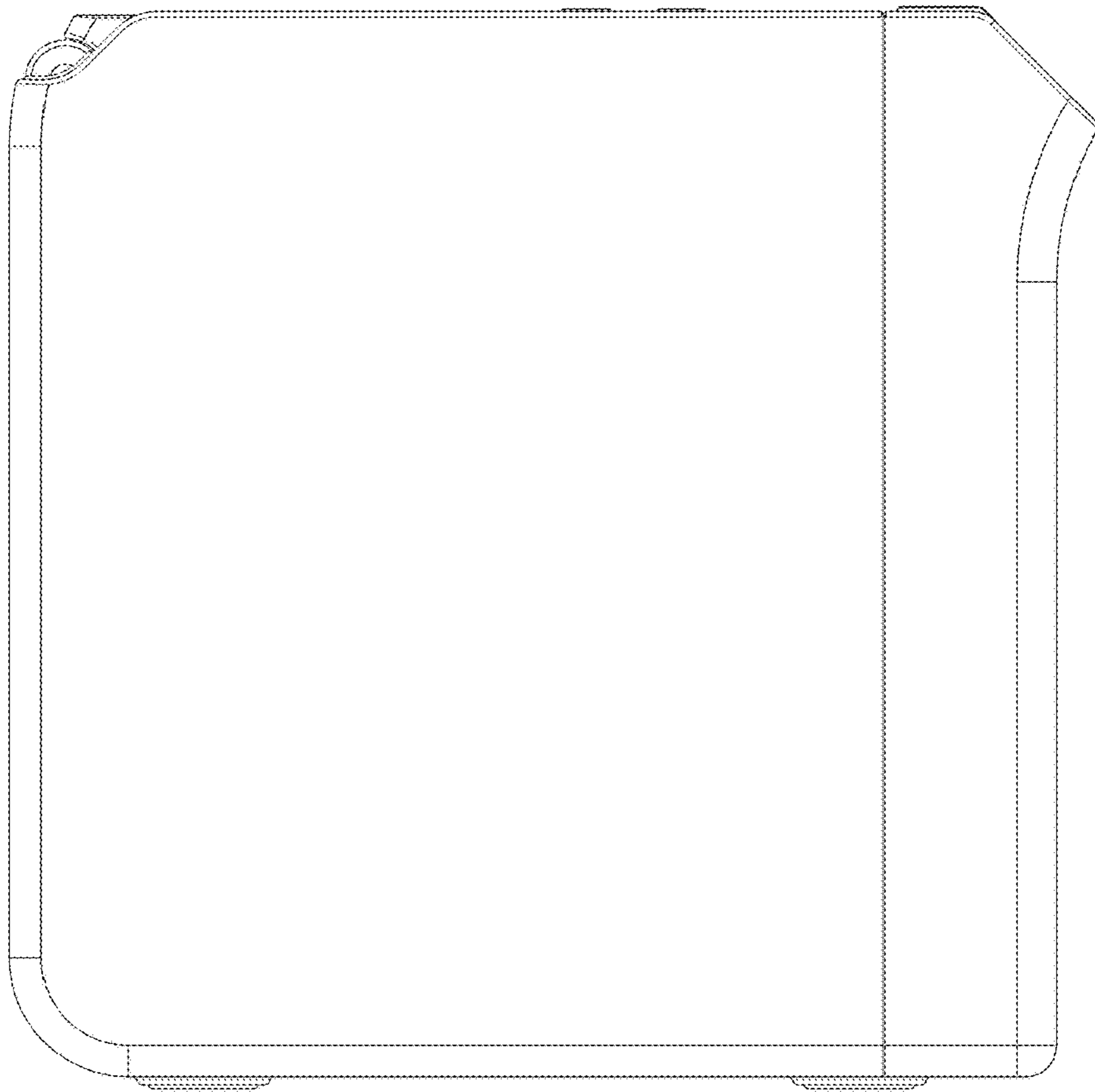


FIG. 7

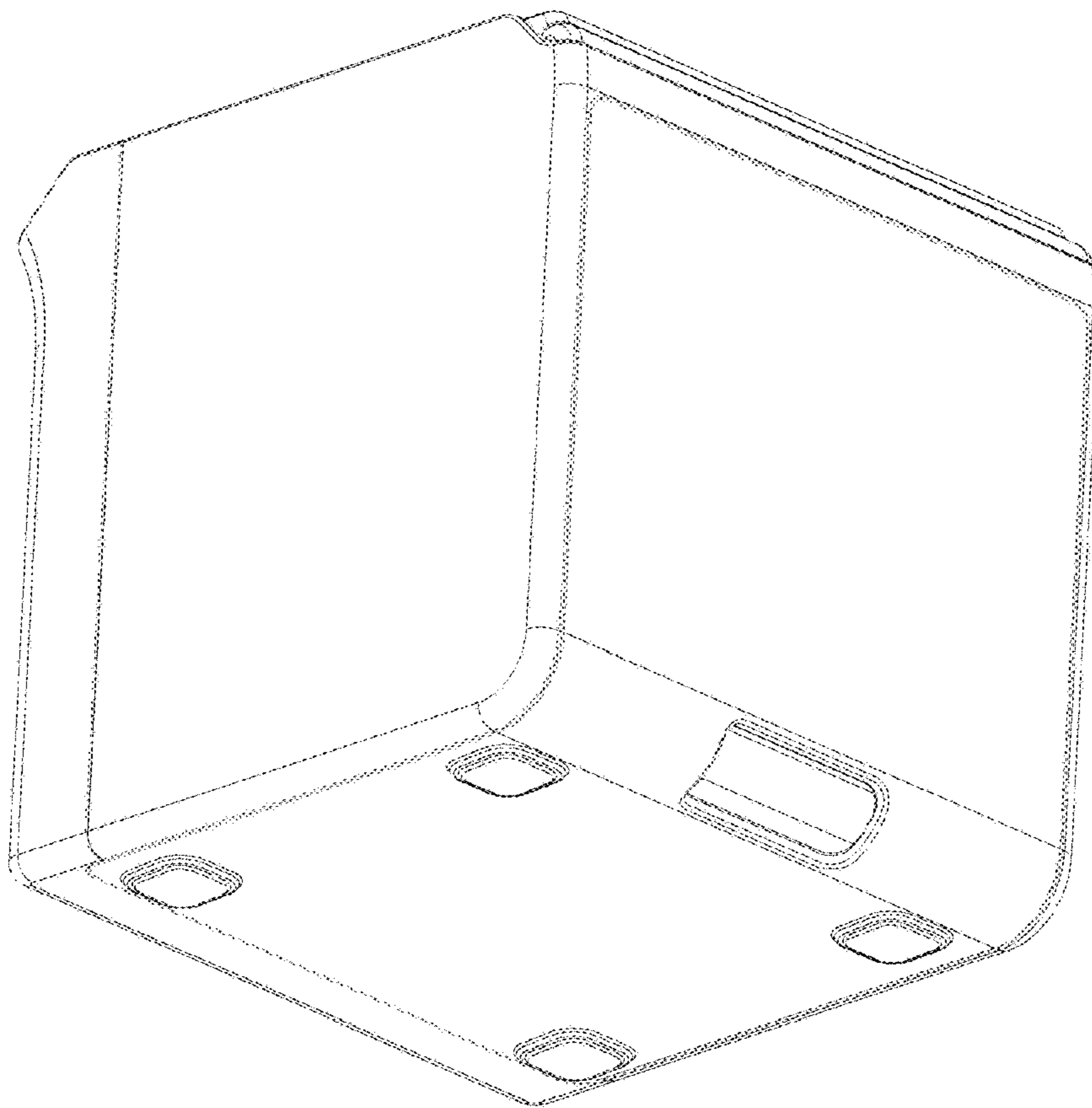


FIG. 8

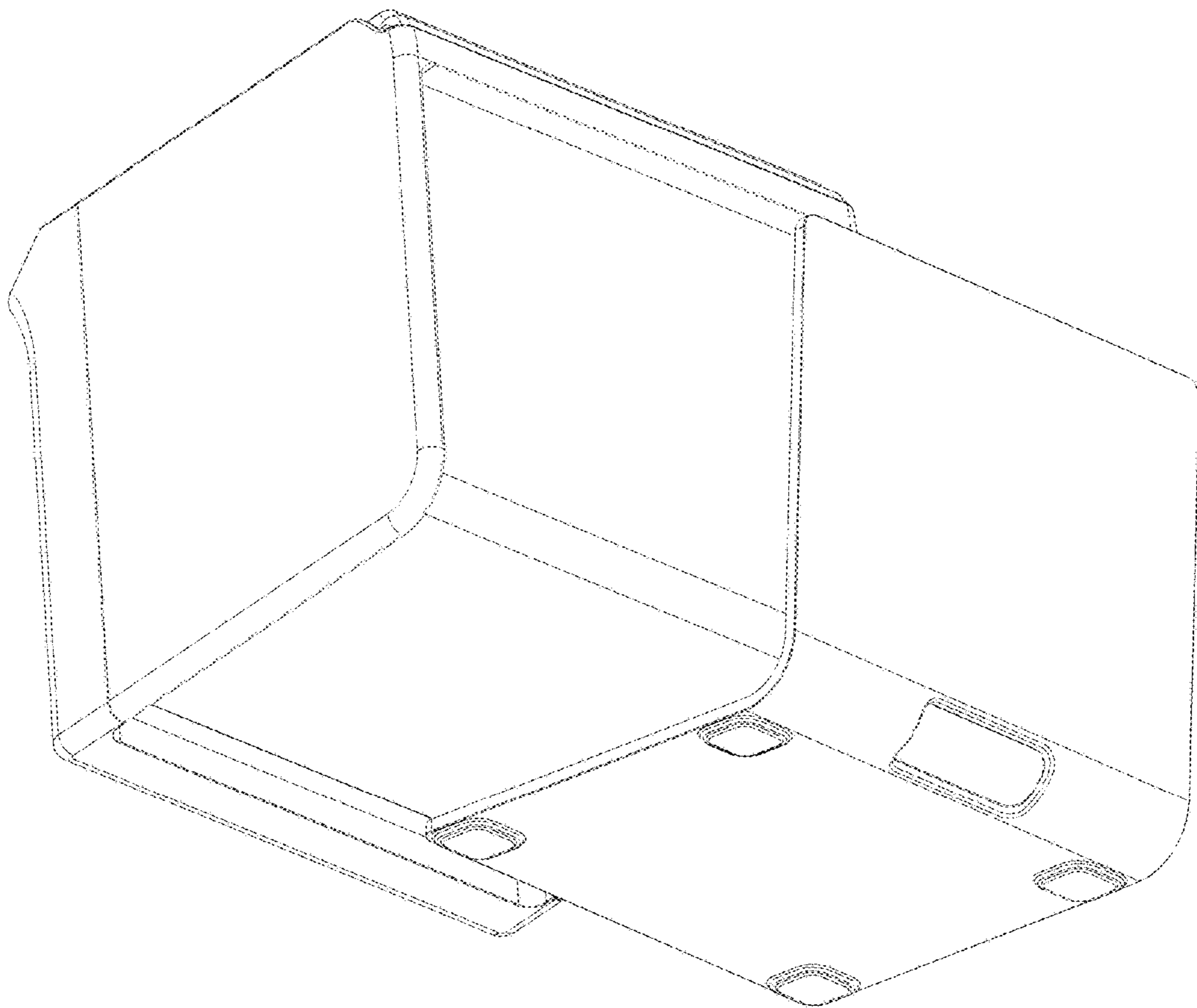


FIG. 9

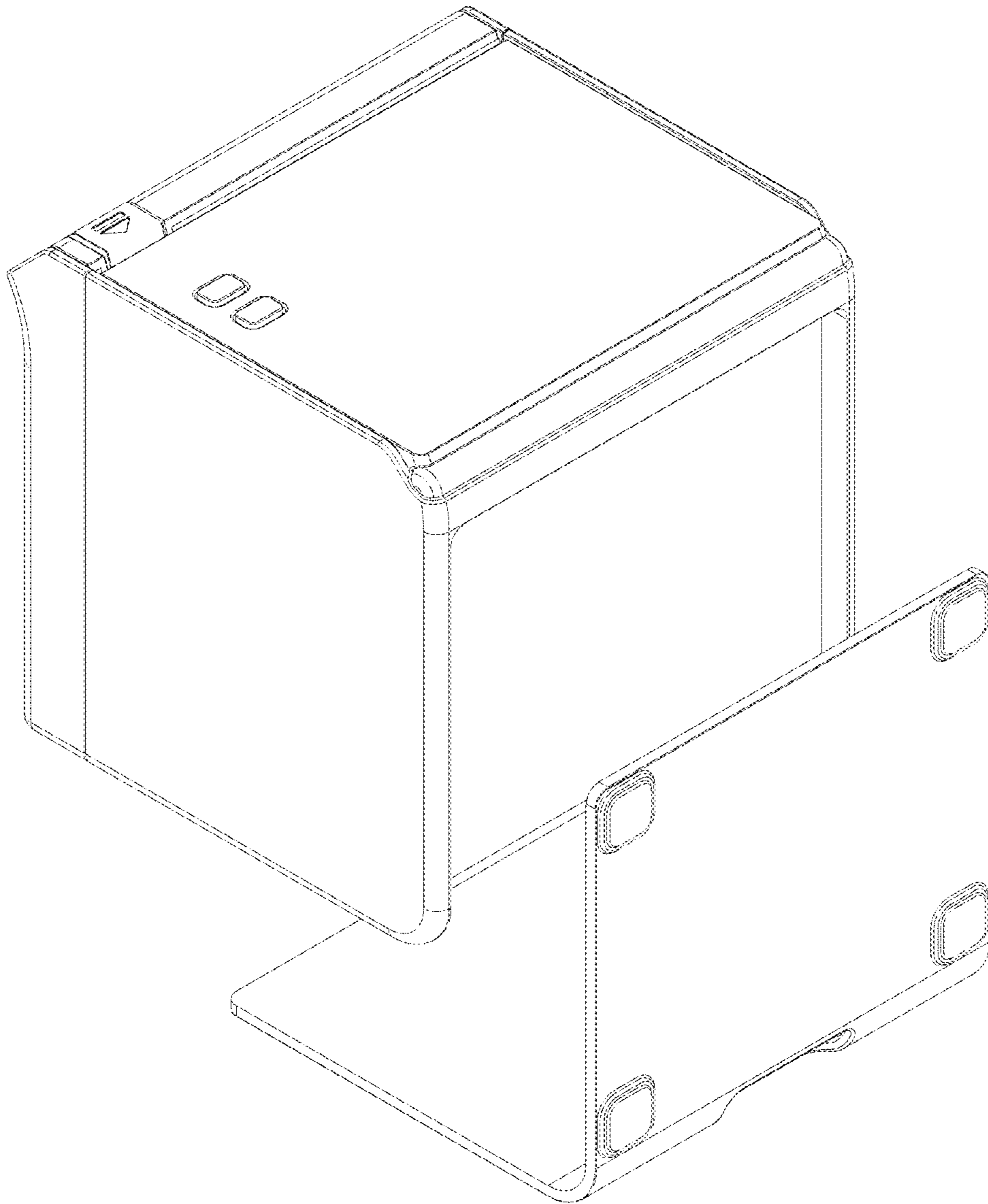


FIG. 10

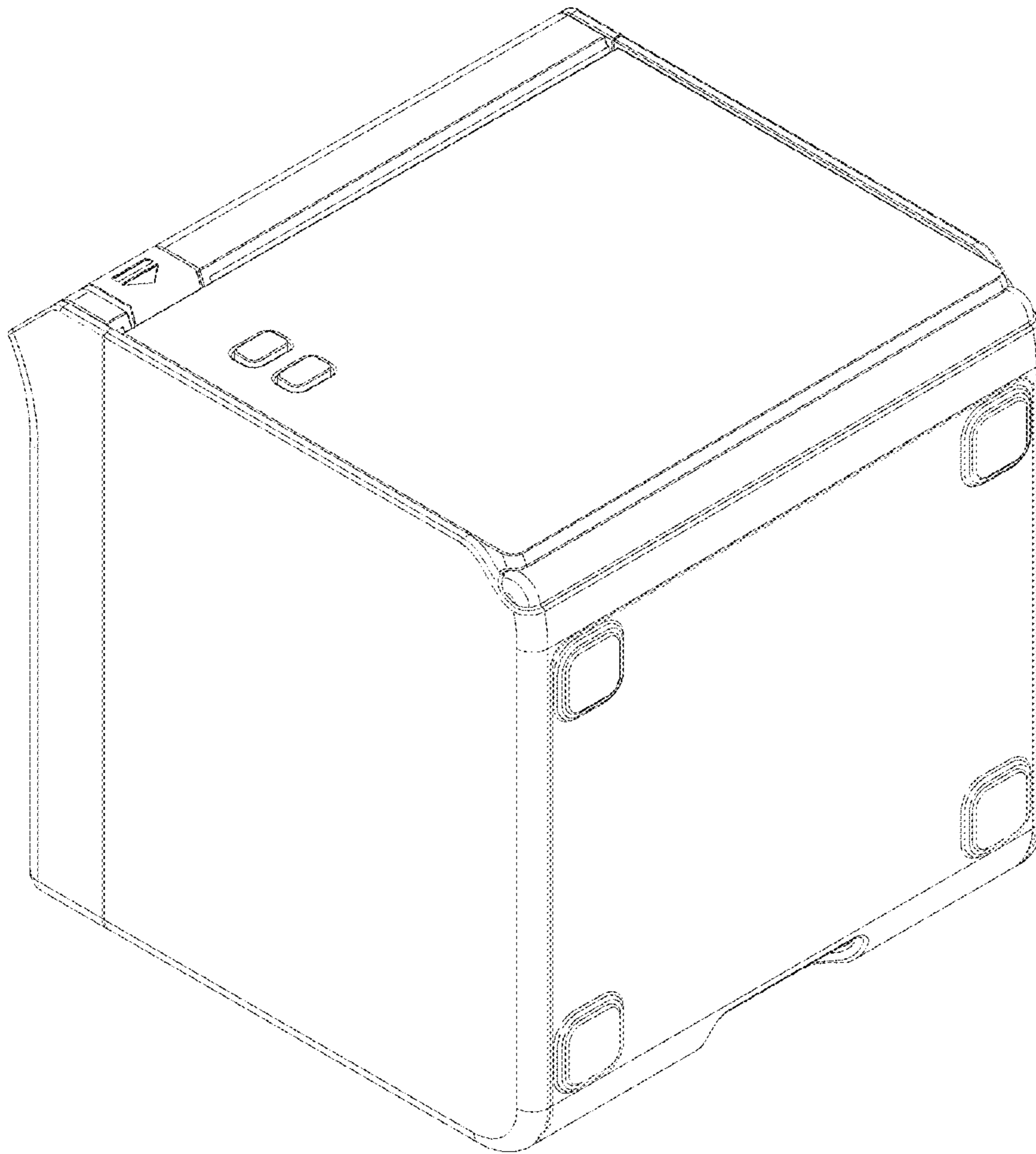


FIG. 11

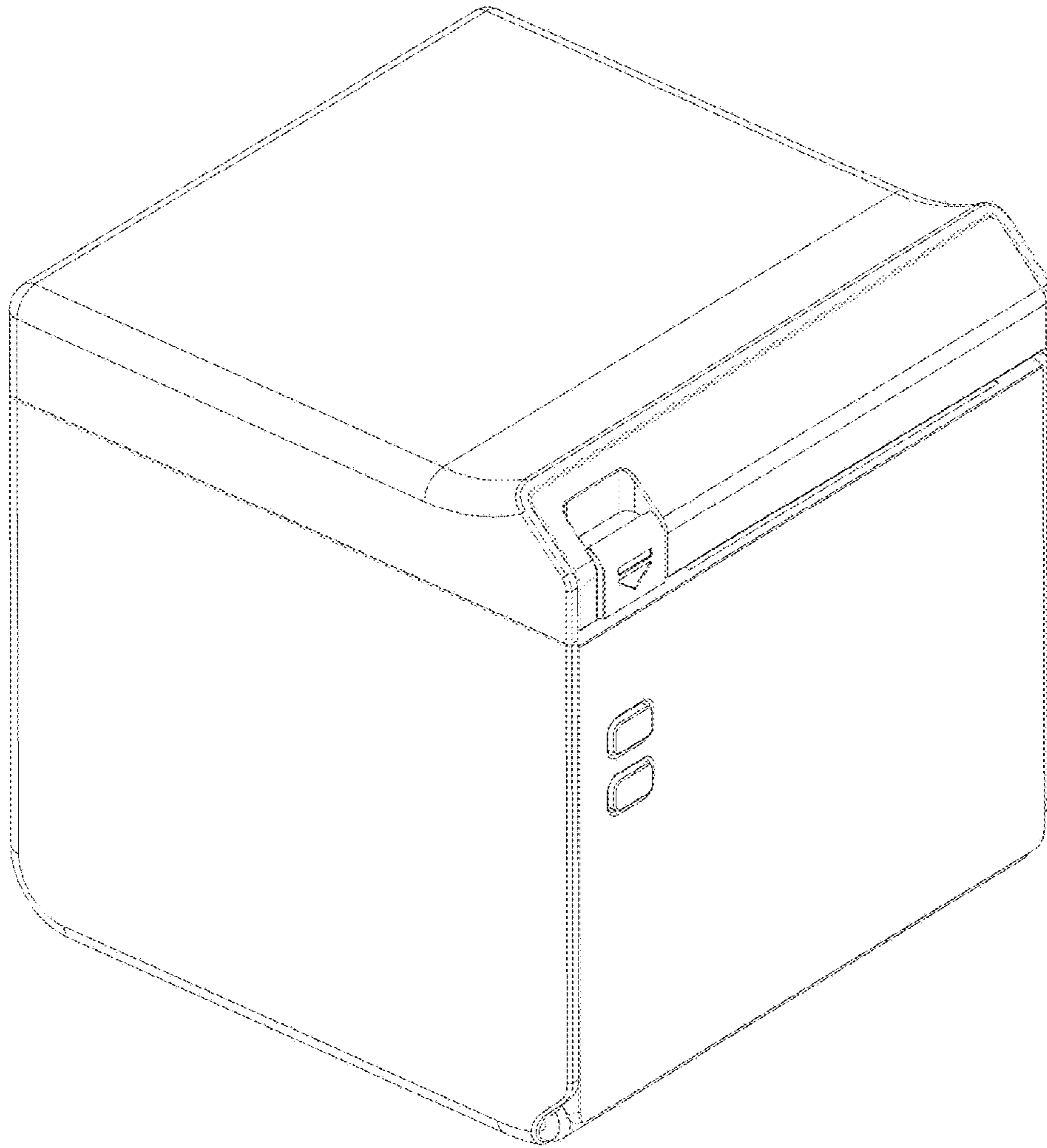


FIG. 12