



US00D855683S

(12) **United States Design Patent**  
**Sakai**

(10) **Patent No.:** **US D855,683 S**

(45) **Date of Patent:** **\*\* Aug. 6, 2019**

(54) **STROBE FOR CAMERA**

(71) Applicant: **FUJIFILM Corporation**, Tokyo (JP)

(72) Inventor: **Masayuki Sakai**, Saitama (JP)

(73) Assignee: **FUJIFILM Corporation**, Minatu-Ku,  
Tokyo (JP)

(\*\*) Term: **15 Years**

(21) Appl. No.: **29/590,418**

(22) Filed: **Jan. 10, 2017**

(30) **Foreign Application Priority Data**

Jul. 13, 2016 (JP) ..... 2016-014977

(51) **LOC (12) Cl.** ..... **16-05**

(52) **U.S. Cl.**

USPC ..... **D16/239**

(58) **Field of Classification Search**

USPC ..... D16/208, 209, 219, 237–250; D14/224,  
D14/229, 238, 251, 253, 433, 434, 447,  
D14/451

CPC ..... G03B 17/56; G03B 17/561–568; G02B  
7/00–002; H04N 5/2253–2254; F16M  
11/04–12; A45F 2200/0508–0533; A45F  
5/00; A45F 5/10

See application file for complete search history.

(56) **References Cited**

**U.S. PATENT DOCUMENTS**

D241,273 S \* 8/1976 Okuno et al. .... D16/240  
D342,753 S \* 12/1993 Haga ..... D16/239  
5,794,082 A \* 8/1998 Matsui ..... G03B 15/05  
396/171  
D453,351 S \* 2/2002 Kitera ..... D16/239  
D562,875 S \* 2/2008 Kitera ..... D16/239

D577,053 S \* 9/2008 Watanabe ..... D16/239  
D695,815 S \* 12/2013 Takahashi ..... D16/240  
D696,711 S \* 12/2013 Takahashi ..... D16/240  
D701,553 S \* 3/2014 Sanhui ..... D16/239  
D703,723 S \* 4/2014 Soejima ..... D16/239  
2007/0047944 A1\* 3/2007 Hayashi ..... G03B 15/05  
396/155

**OTHER PUBLICATIONS**

Fujifilm EF-X500 Flash 600017352 B&H Photo Video. [online]  
Published on Jul. 10, 2016. Retrieved Jan. 18, 2018 from URL:  
[https://www.bhphotovideo.com/c/product/1263382-REG/fujifilm\\_](https://www.bhphotovideo.com/c/product/1263382-REG/fujifilm_ef_x500_flash.html)  
[ef\\_x500\\_flash.html](https://www.bhphotovideo.com/c/product/1263382-REG/fujifilm_ef_x500_flash.html).\*

Fstoppers Reviews the Godox Thinklite TT350F Flash for Fujifilm  
X Fstoppers. [online] Published Jul. 15, 2017. Retrieved Jan. 18,  
2018 from URL: [https://fstoppers.com/originals/fstoppers-reviews-](https://fstoppers.com/originals/fstoppers-reviews-godox-thinklite-tt350f-flash-fujifilm-x-183252)  
[godox-thinklite-tt350f-flash-fujifilm-x-183252](https://fstoppers.com/originals/fstoppers-reviews-godox-thinklite-tt350f-flash-fujifilm-x-183252).\*

Owner's Manual of Shoe Mount Flash EF-42 released on Mar. 26,  
2011, pp. EN-1-EN-12.

\* cited by examiner

*Primary Examiner* — Vy N Koenig

(74) *Attorney, Agent, or Firm* — Sughrue Mion, PLLC

(57)

**CLAIM**

The ornamental design for a strobe for camera, as shown and  
described.

**DESCRIPTION**

FIG. 1 is a front view of a strobe for camera, showing our  
new design;

FIG. 2 is a rear view thereof;

FIG. 3 is a right side view thereof;

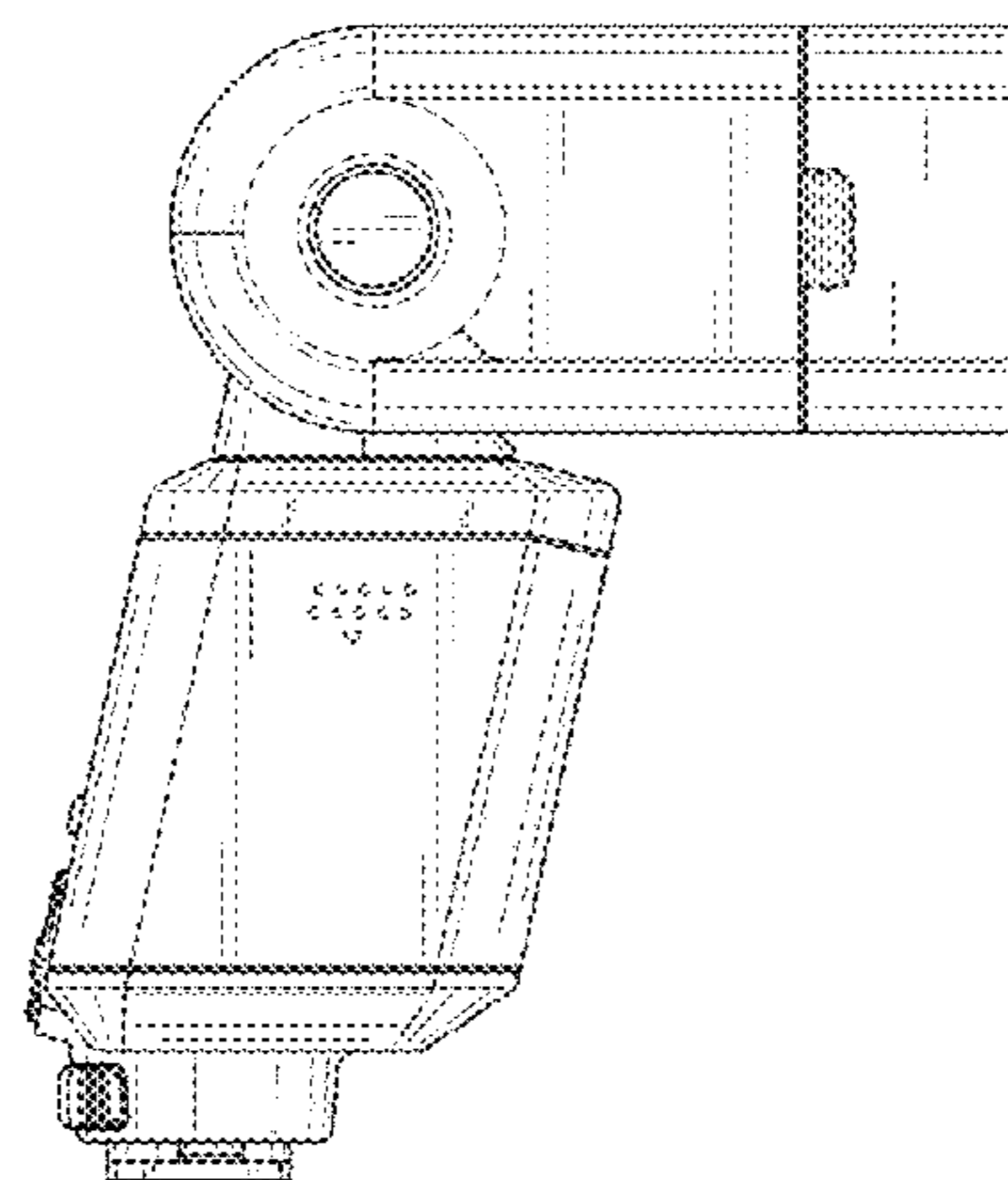
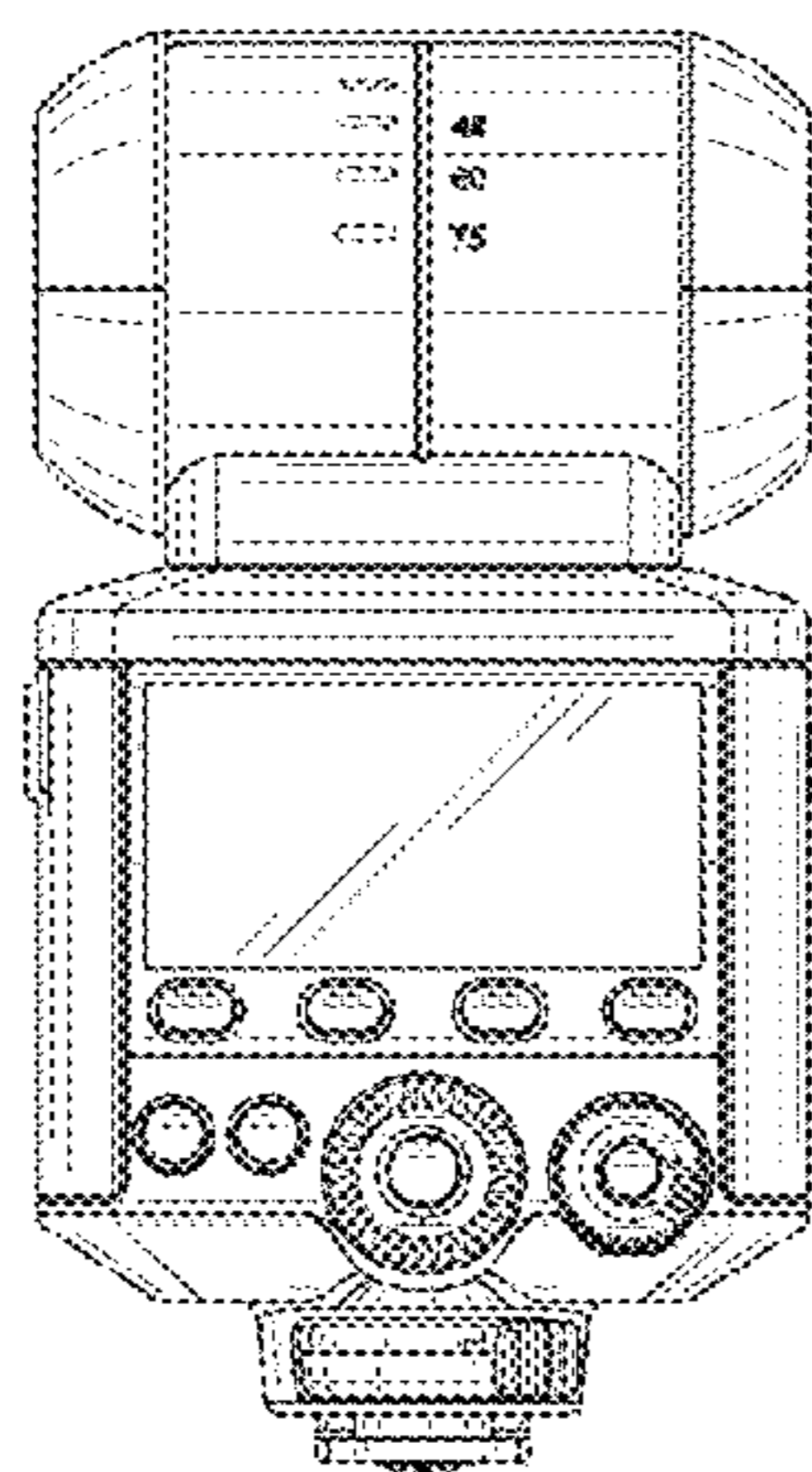
FIG. 4 is a left side view thereof;

FIG. 5 is a top view thereof; and,

FIG. 6 is a bottom view thereof.

The broken lines in the drawings depict portions of the  
strobe for camera that form no part of the claimed design.

**1 Claim, 6 Drawing Sheets**



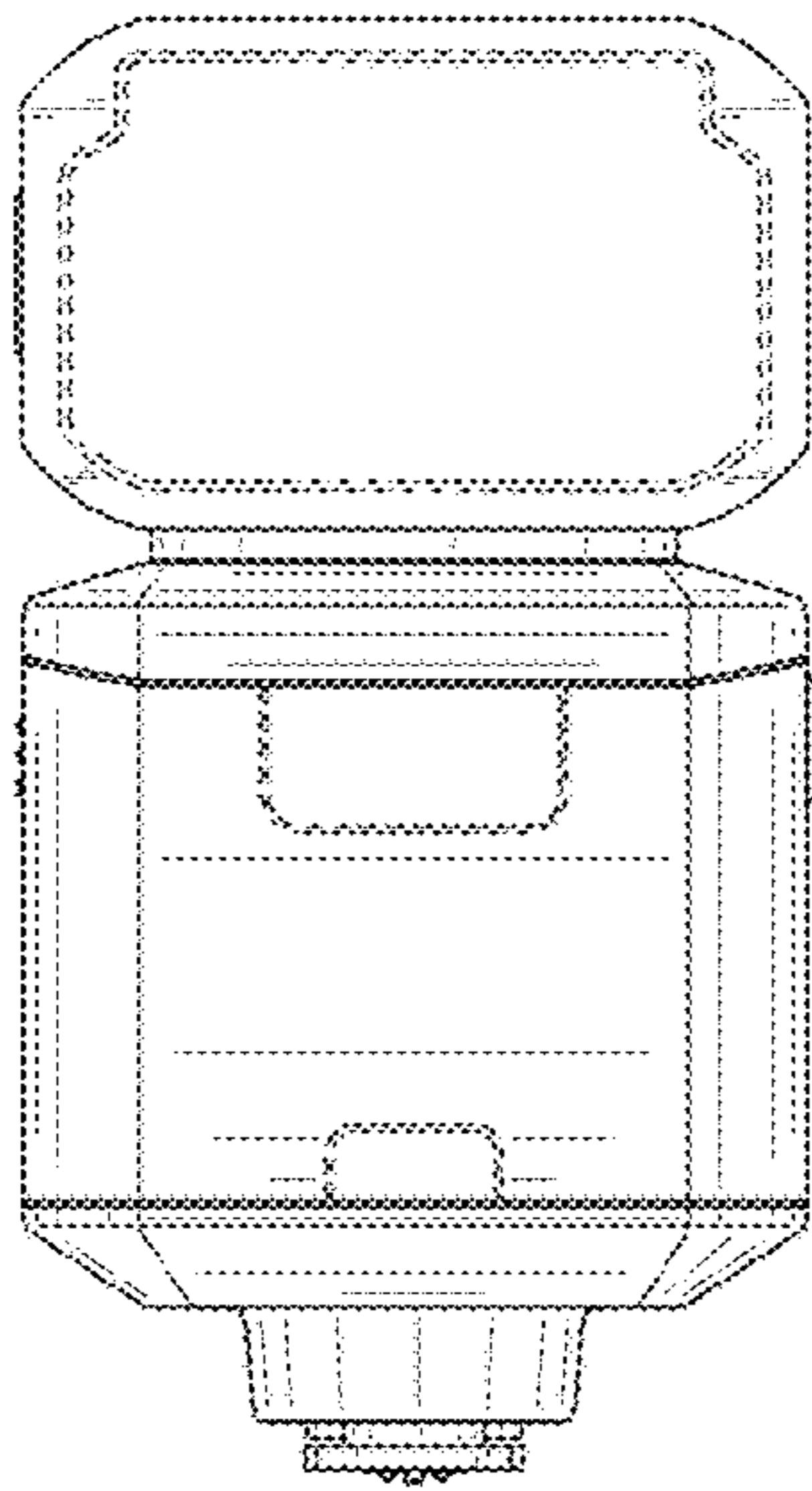


FIG. 1

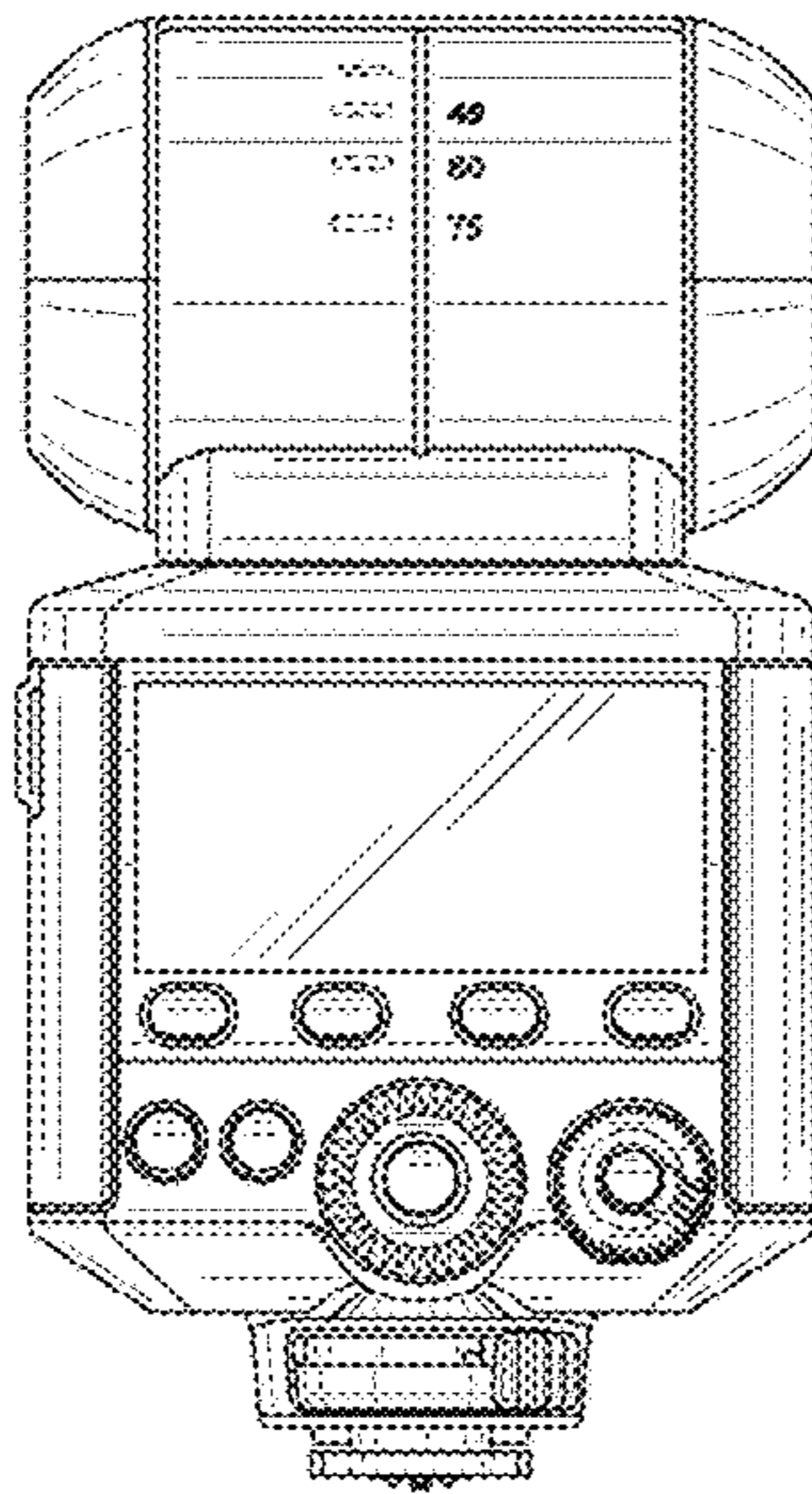


FIG. 2

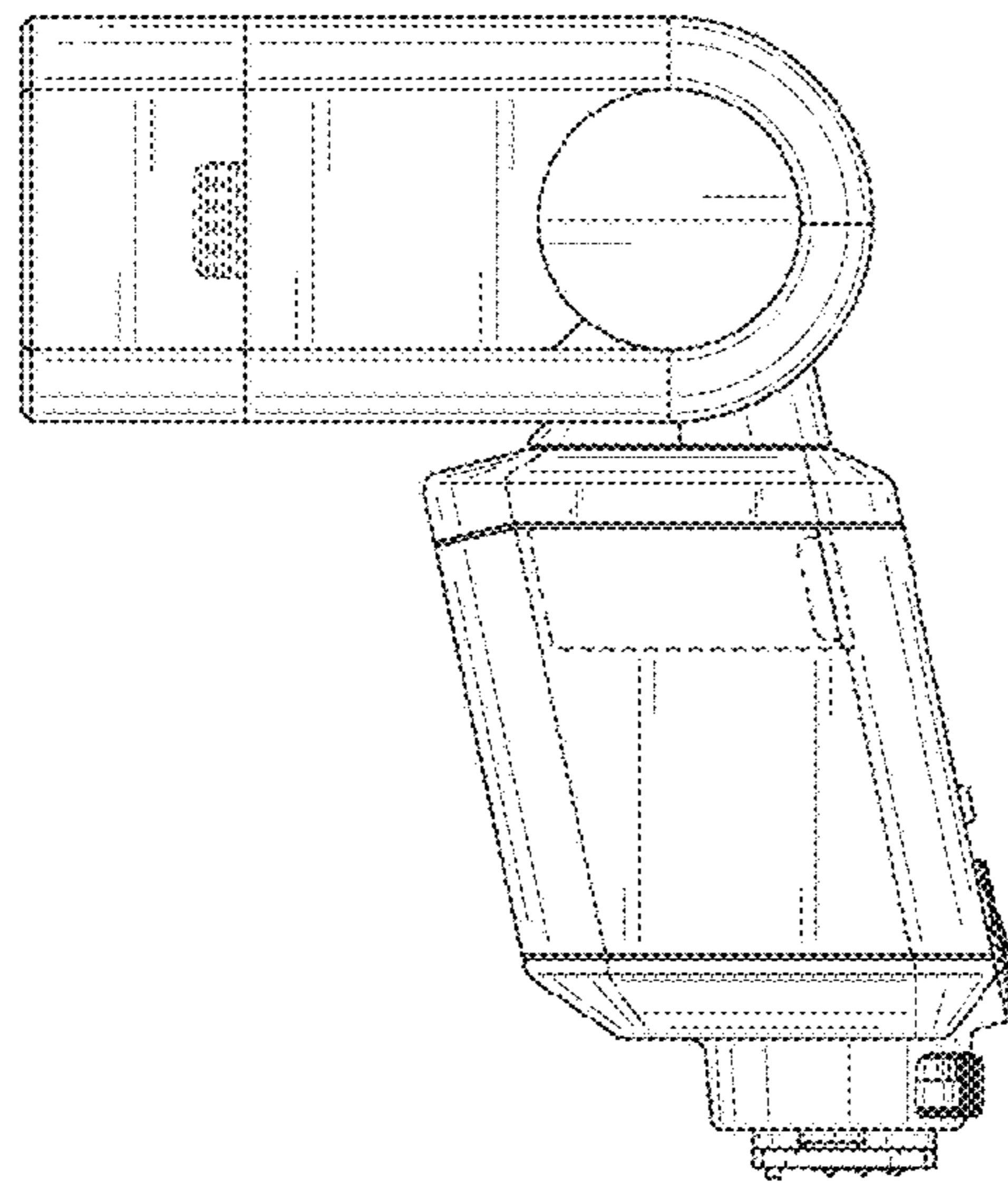


FIG. 3

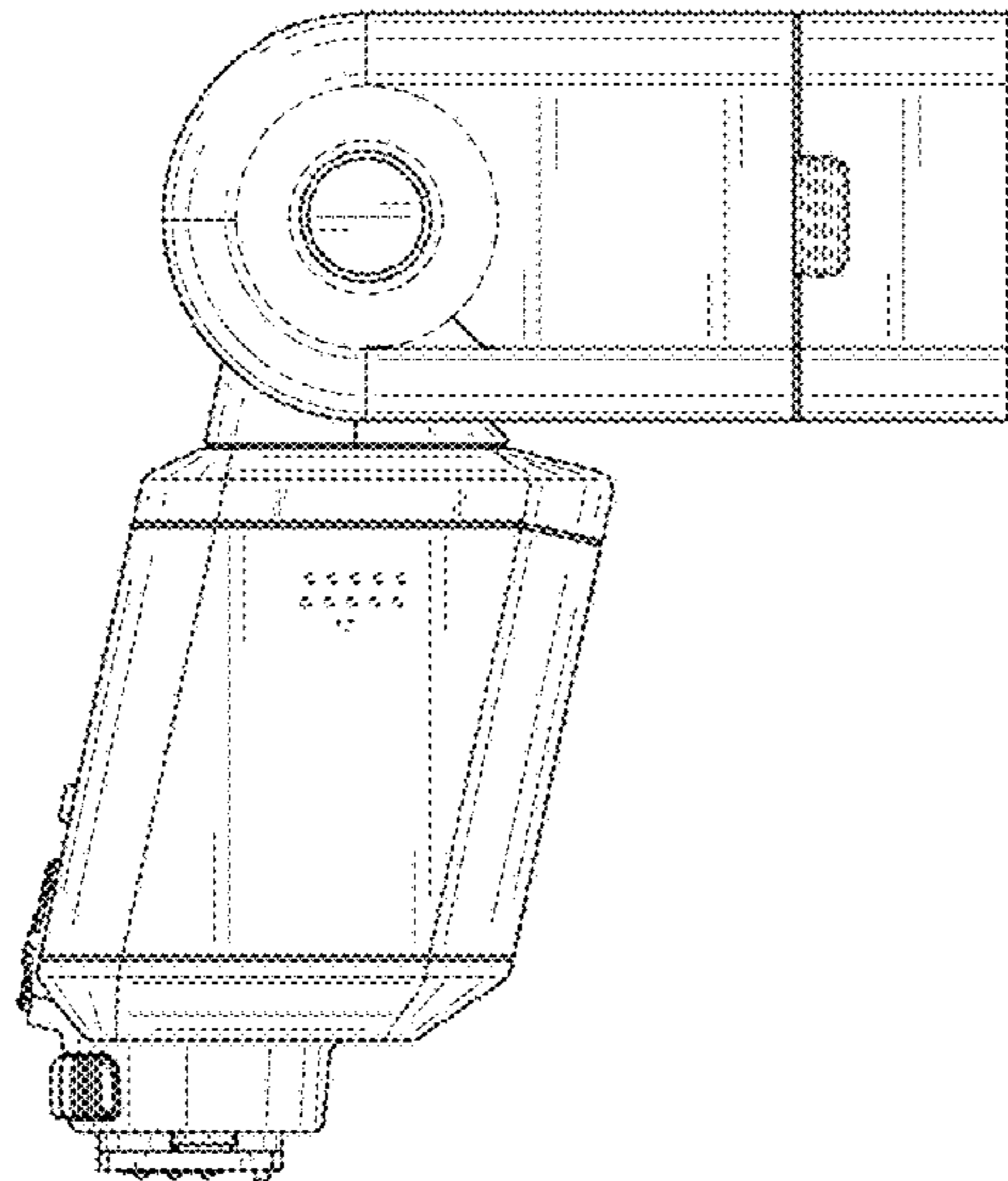


FIG. 4

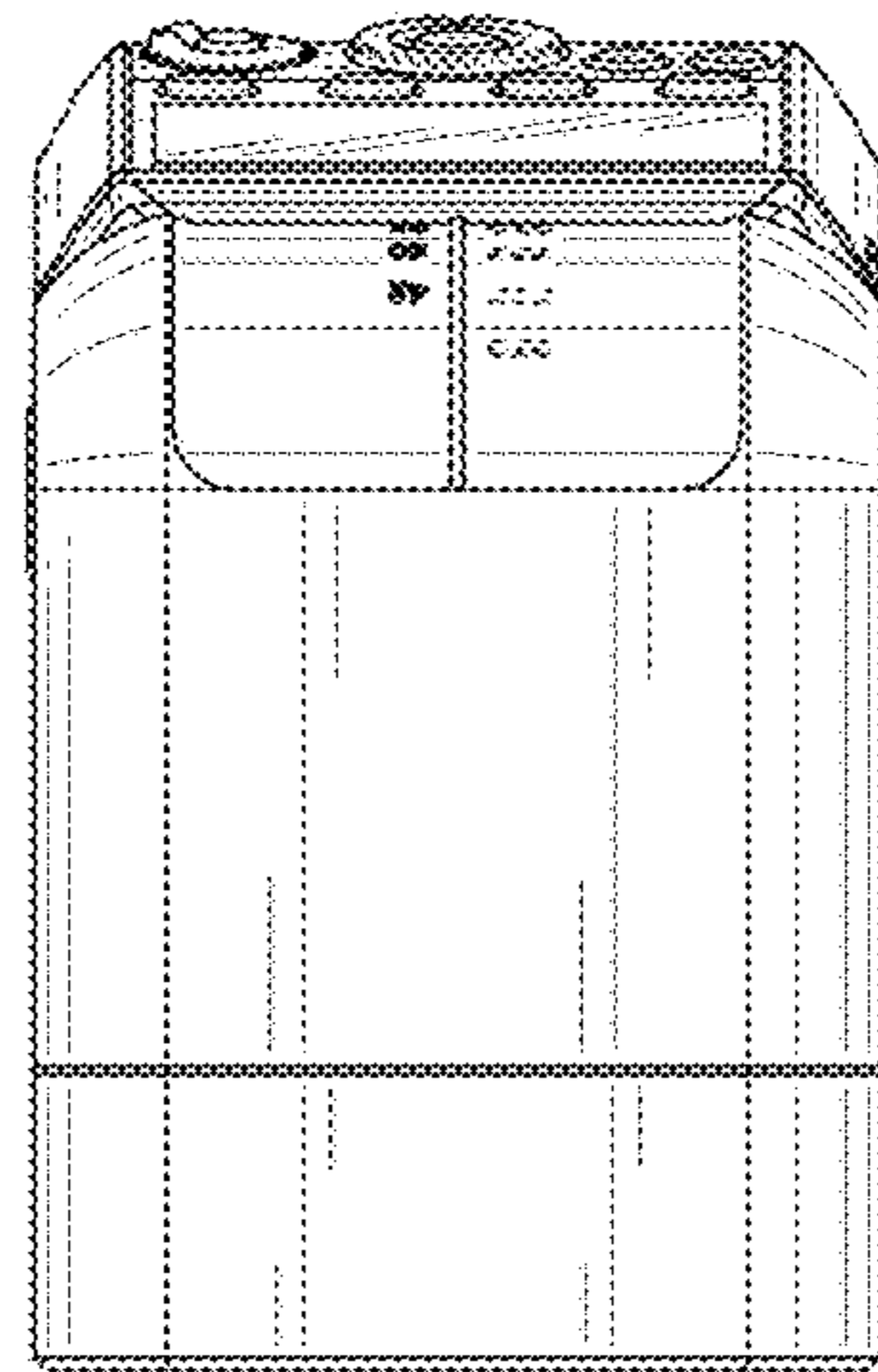


FIG. 5

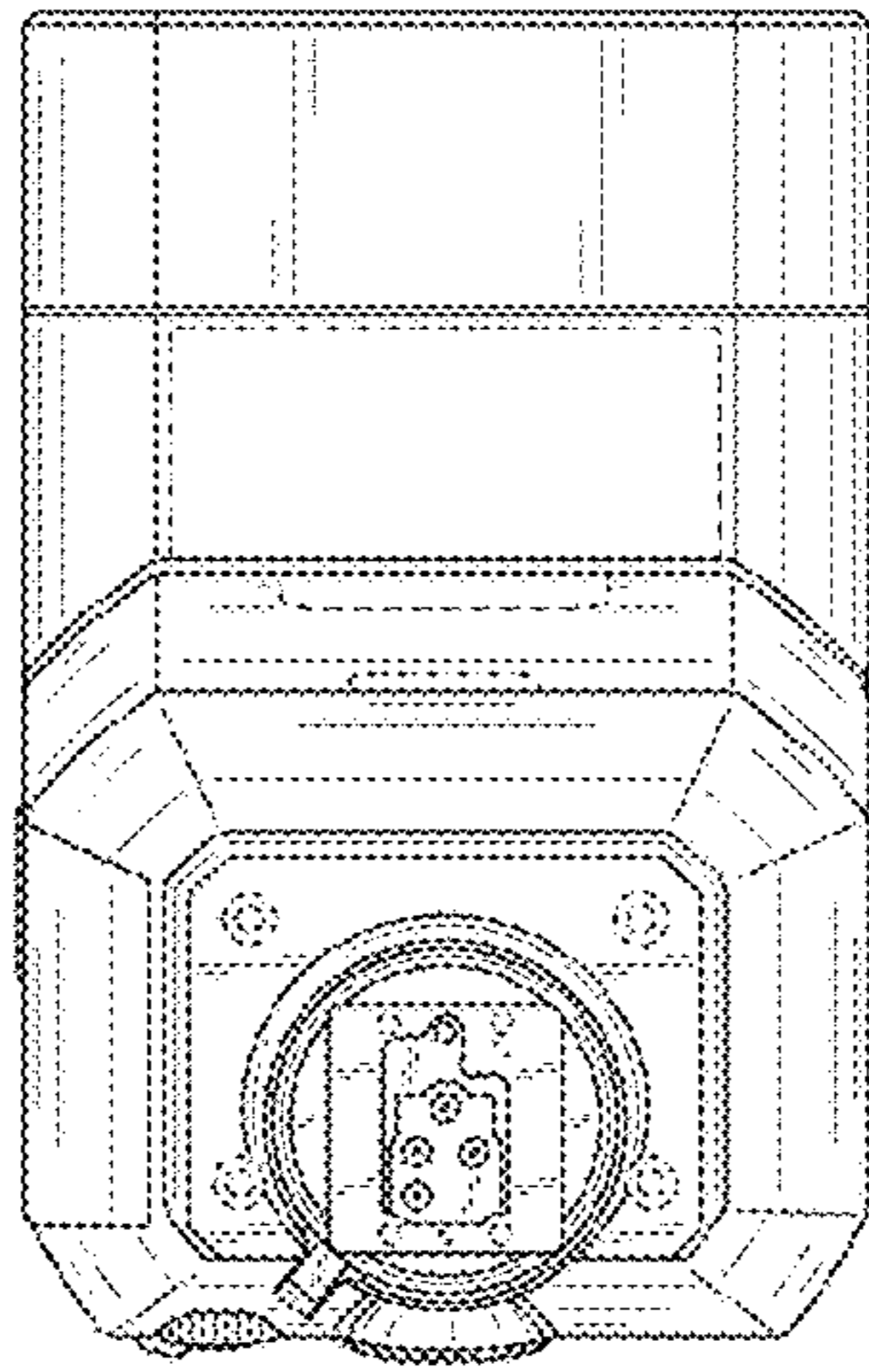


FIG. 6