



US00D855682S

(12) **United States Design Patent**
Cunningham et al.

(10) **Patent No.:** **US D855,682 S**

(45) **Date of Patent:** **** Aug. 6, 2019**

(54) **QUICK RELEASE CAMERA WRIST STRAP**

(71) Applicant: **Peak Design**, San Francisco, CA (US)

(72) Inventors: **Joseph Cunningham**, San Francisco, CA (US); **Arthur Viger**, San Francisco, CA (US); **Peter Dering**, San Francisco, CA (US); **Peter Lockett**, Oakland, CA (US)

(73) Assignee: **Peak Design**, San Francisco, CA (US)

(**) Term: **15 Years**

(21) Appl. No.: **29/618,657**

(22) Filed: **Sep. 22, 2017**

(51) **LOC (12) Cl.** **16-05**

(52) **U.S. Cl.**
USPC **D16/237**

(58) **Field of Classification Search**
USPC D16/219, 237-250; D14/224, 229, 238, D14/251, 253; D8/354, 355, 363, 373, D8/382-383, 394-396
CPC F16M 11/06-10; F16M 11/14; G02B 7/00-002; G03B 17/56; G03B 17/561-568; H04N 5/2253-2254; A45F 2200/0508-0533; A45F 5/00; A45F 5/10
See application file for complete search history.

(56) **References Cited**

U.S. PATENT DOCUMENTS

- 5,110,023 A * 5/1992 Colin A45F 3/14
224/250
- 5,641,102 A * 6/1997 Hellweg A45F 5/00
224/198
- 5,842,256 A * 12/1998 Anscher A44B 99/00
24/3.4
- D528,800 S * 9/2006 Liu D3/327

(Continued)

OTHER PUBLICATIONS

Peak Design Cuff Ash_ Camera Wrist Strap. [online] Retrieved Jan. 23, 2019 from URL: <http://www.lezotcameras.com/peak-design-peak-design-cuff-ash-camera-wrist-stra.html>.*

(Continued)

Primary Examiner — Vy N Koenig
(74) *Attorney, Agent, or Firm* — Grumbles Law PLLC; Brittany Nanzig

(57) **CLAIM**

The ornamental design for a quick release camera wrist strap, as shown and described.

DESCRIPTION

FIG. 1 is a top plan view of a quick release camera wrist strap showing our new design.

FIG. 2 is a bottom plan view of the quick release camera wrist strap.

FIG. 3 is a perspective left side view of the quick release camera wrist strap.

FIG. 4 is a perspective right side view of the quick release camera wrist strap.

FIG. 5 is a perspective front view of the quick release camera wrist strap.

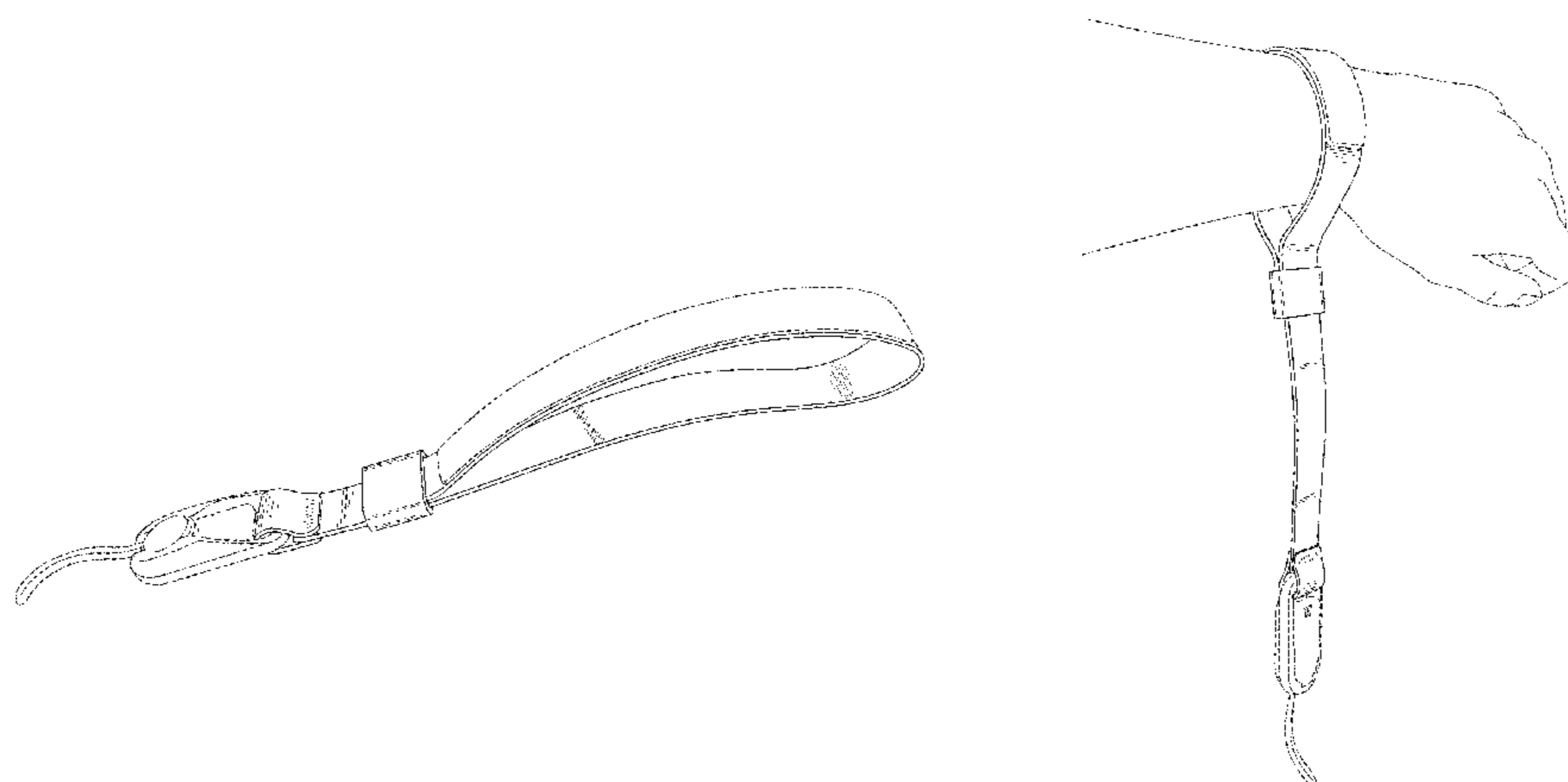
FIG. 6 is a perspective top and right side view of the quick release camera wrist strap.

FIG. 7 is a perspective bottom and left side view of the quick release camera wrist strap.

FIG. 8 is a perspective bottom and right side view of the quick release camera wrist strap tightened on a wrist; and, FIG. 9 is a perspective top view of the quick release camera wrist strap mechanically tightened on, and magnetically secured around, a wrist.

The lighter broken lines in the drawings depict stitching and are part of the claimed design. The bold broken lines of the anchor, housing, and padded portion of the strap and of the arm and hand are for the purposes of illustrating environment and form no part of the claimed design.

1 Claim, 5 Drawing Sheets



(56)

References Cited

U.S. PATENT DOCUMENTS

7,343,647	B1 *	3/2008	Kinsky	A45F 5/00 16/406
D600,003	S *	9/2009	Kahng	D3/10
D623,860	S *	9/2010	Kope	G03B 17/566 D3/327
D642,644	S *	8/2011	Cutler	D21/771
8,295,533	B1 *	10/2012	Schachtman	A45F 5/00 224/257
8,720,462	B2 *	5/2014	Vieira	B25G 1/02 135/118
9,016,534	B2 *	4/2015	Whitley	A45F 5/00 224/254
D750,501	S *	3/2016	Akana	D9/722
D779,814	S *	2/2017	Akana	D11/86
D779,991	S *	2/2017	Lemker	D11/3
D802,649	S *	11/2017	Dering	D16/237
2014/0304952	A1 *	10/2014	Mathews	A45F 5/00 24/302
2015/0113772	A1 *	4/2015	Dering	A45F 5/00 24/591.1
2016/0095421	A1 *	4/2016	Moreau	A45F 5/00 248/341

OTHER PUBLICATIONS

Peak Design Cuff Camera Wrist Strap. [online] Published on Aug. 16, 2017. Retrieved Jan. 22, 2019 from URL: https://www.amazon.com/Peak-Design-Camera-Wrist-Strap/product-reviews/B0741FV1RL/ref=cm_cr_getr_d_paging_btm_11?ie=UTF8&reviewerType=all_reviews&sortBy=recent&pageNumber=11.*

TMC Adjustable Micro Cuff Quick Release Wrist Strap for Gopro 4 3 21 Camera. Retrieved Apr. 11, 2019 from URL: https://www.banggood.com/TMC-Adjustable-Micro-Cuff-Quick-Release-Wrist-Strap-For-Gopro-4-3-21-Camera-p-974847.html?cur_warehouse=CN.*

Nike; Nike Khyber Goggles; website; <https://www.amazon.com/NIKE-EVO839-044-Nike-Khyber-Goggles/dp/B010QDZS6G>.

Peak Design; Peak Design Cuff Camera Wrist Strap; website; https://www.ritzcamera.com/product/PEAKCF2/peak-design-cf-2-cuff-wrist-strap.htm?location=GGSHOP&tmreturn=true&utm_source=Connexity&utm_medium=pricegrabber&prp=PEAKCF2&fo_c=1041&fo_k=e76d8363c7d9674428a07dafeb6e0e7c8fo_s=connexityus.

Peak Design; Peak Design Camera Hand Clutch Strap, Black; website; <https://www.amazon.com/Peak-Design-Camera-Clutch-Strap/dp/B00LI7TM9Y>.

* cited by examiner

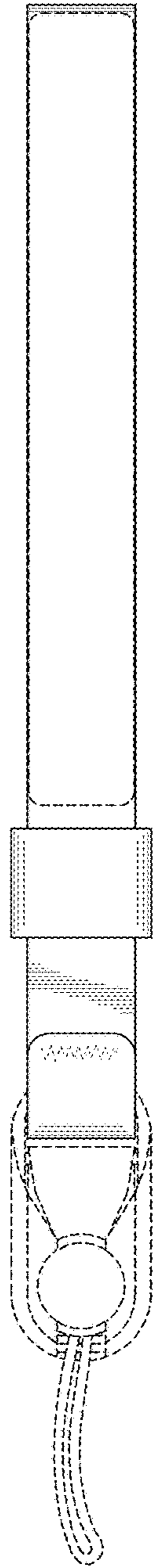


FIG. 1

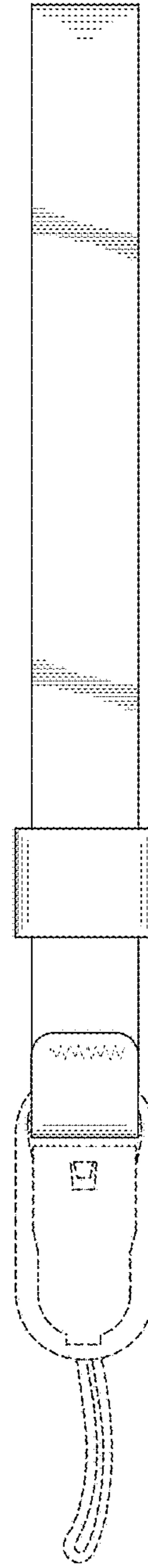


FIG. 2

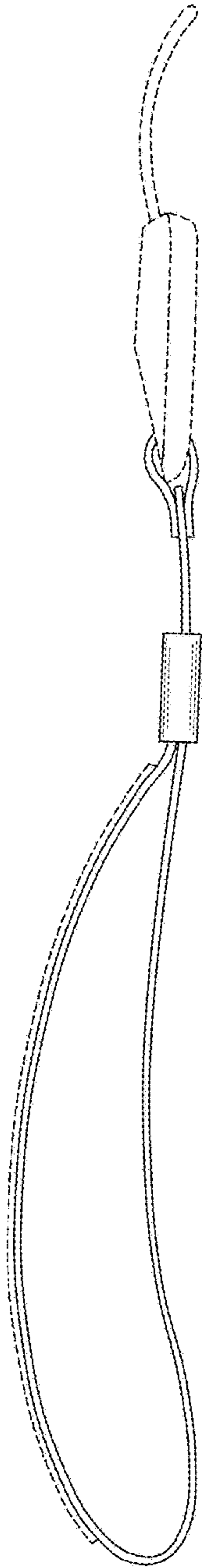


FIG. 3

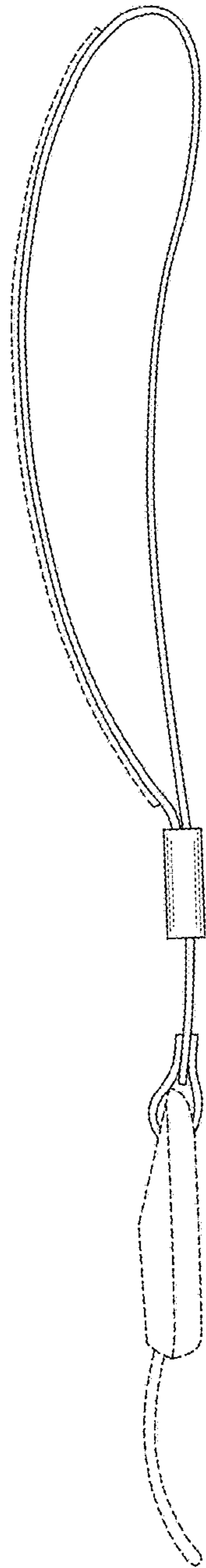


FIG. 4

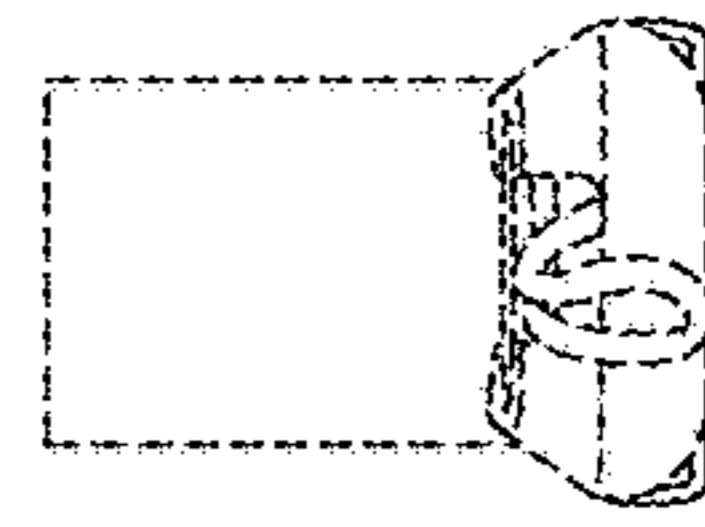


FIG. 5

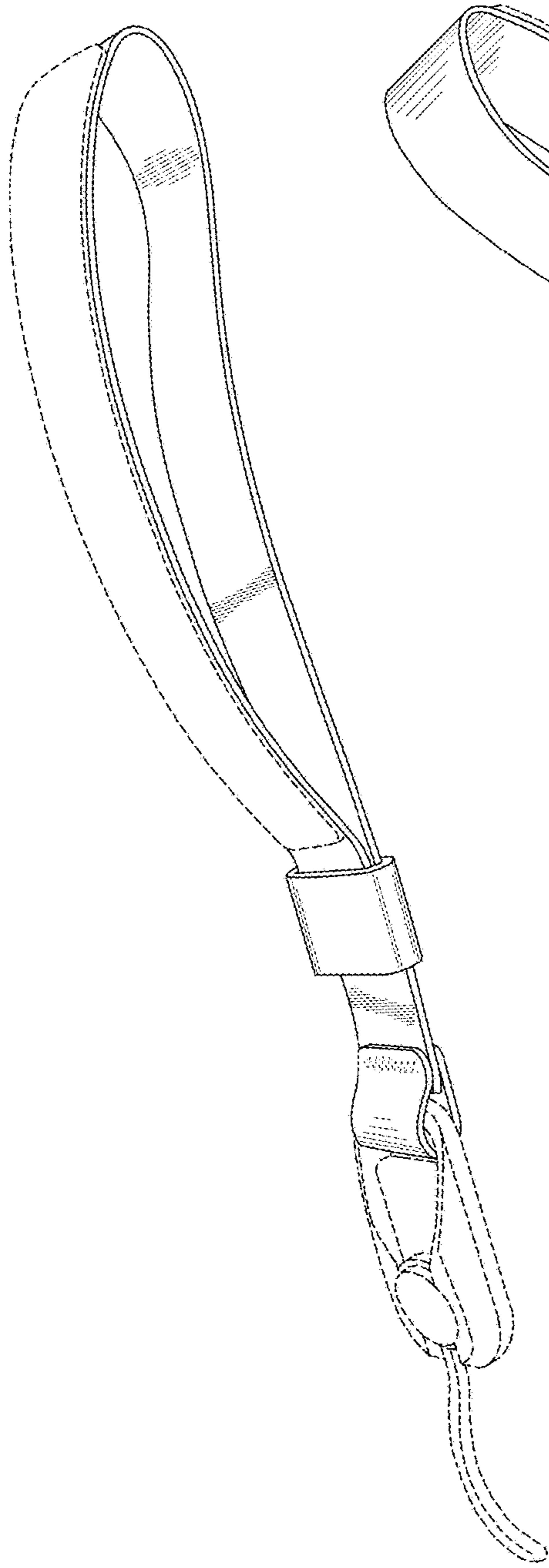


FIG. 6

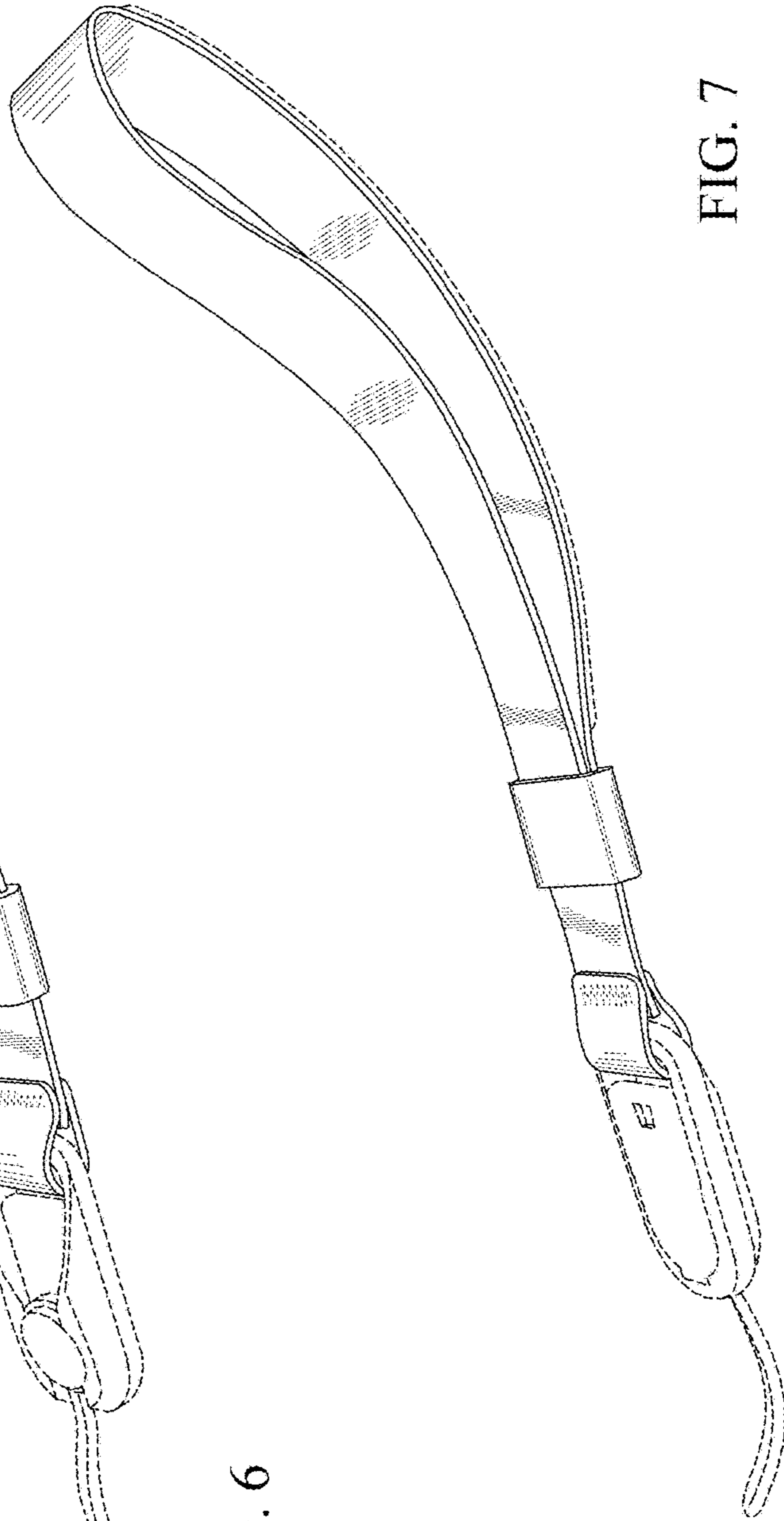


FIG. 7

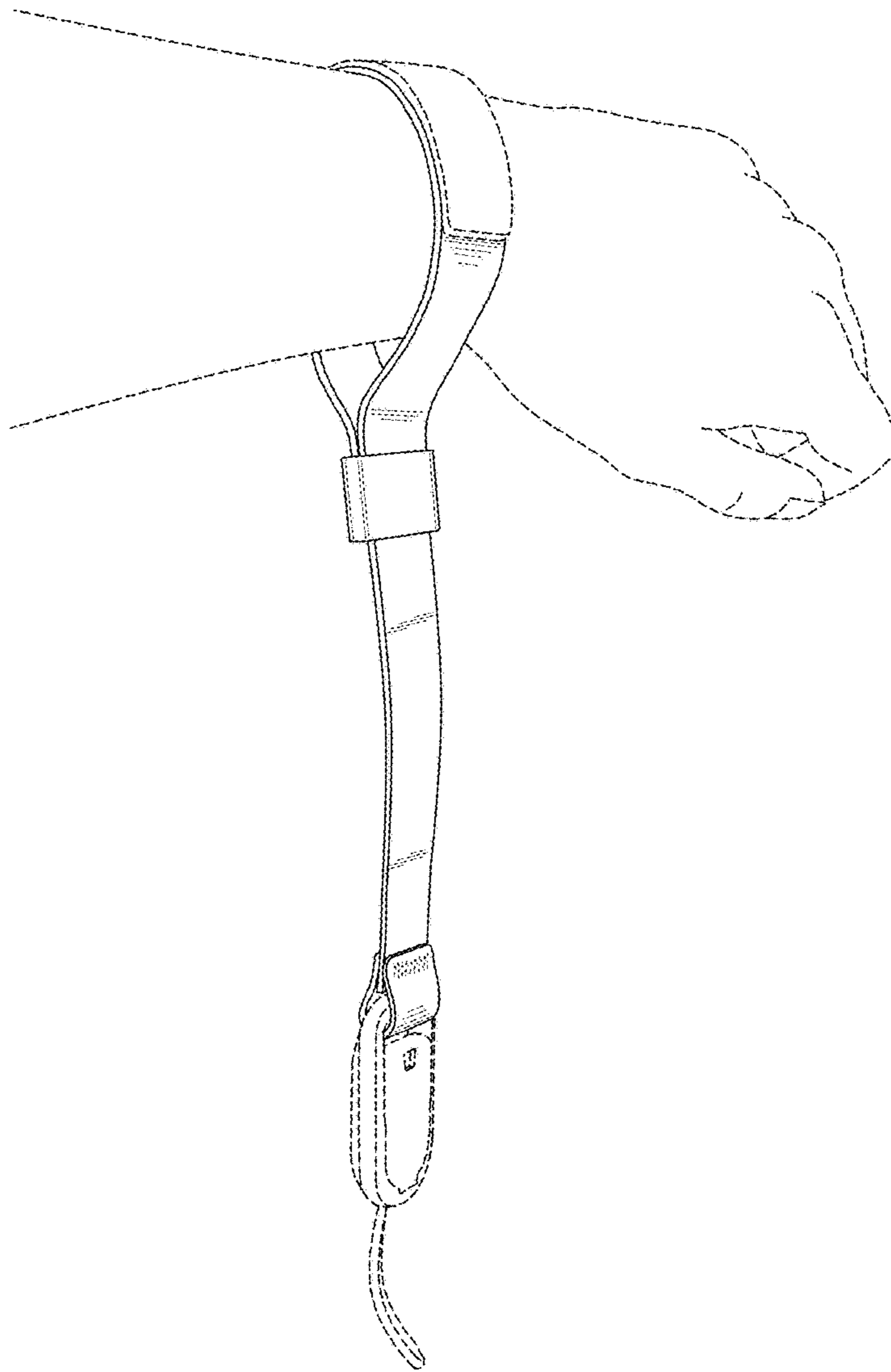


FIG. 8

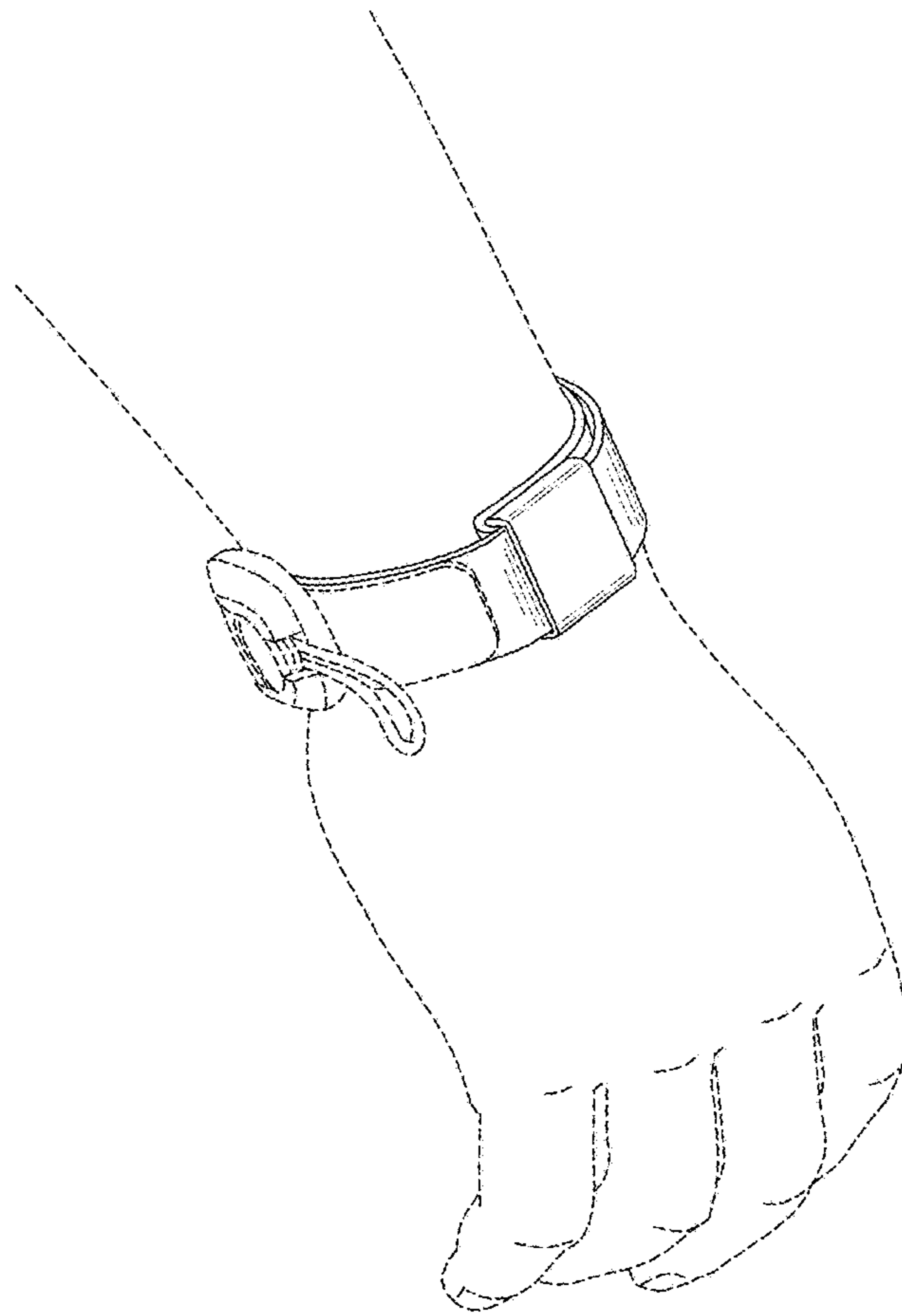


FIG. 9