



US00D855681S

(12) **United States Design Patent** (10) **Patent No.:** **US D855,681 S**
Jacob et al. (45) **Date of Patent:** **** Aug. 6, 2019**

(54) **CAMERA**

(56)

References Cited

(71) Applicant: **GOOGLE LLC**, Mountain View, CA (US)

U.S. PATENT DOCUMENTS

(72) Inventors: **Rochus Jacob**, San Francisco, CA (US); **Francois Rybarczyk**, San Francisco, CA (US); **Adam Scott Kilgore**, San Rafael, CA (US); **Adam Duckworth Mittleman**, Redwood City, CA (US); **Jason Evans Goulden**, Los Gatos, CA (US)

| | | |
|--------------|---------|---------------------|
| 777,996 A | 12/1904 | Applegate |
| D134,016 S | 10/1942 | Du Mais |
| D162,989 S | 4/1951 | Rizzatti |
| 2,833,849 A | 5/1958 | Abel |
| D191,141 S | 8/1961 | Stevenson |
| 3,138,661 A | 6/1964 | Grashow |
| 3,428,286 A | 2/1969 | Del Pesco |
| 3,626,421 A | 12/1971 | Santana et al. |
| D227,599 S | 7/1973 | Wisgin |
| 4,083,524 A | 4/1978 | O'Connor |
| D262,041 S | 11/1981 | Schmidt |
| 4,336,916 A | 6/1982 | Blanchard |
| D275,868 S | 10/1984 | Ake |
| D290,662 S | 7/1987 | Basil et al. |
| 4,739,353 A | 4/1988 | Heuer et al. |
| 4,803,524 A | 2/1989 | Ohno et al. |
| 4,804,984 A | 2/1989 | Heuer et al. |
| 4,953,698 A | 9/1990 | Gregorich et al. |
| D311,933 S | 11/1990 | Adams |
| D359,052 S | 6/1995 | Nagele et al. |
| D367,418 S | 2/1996 | Lathrop |
| 5,523,934 A | 6/1996 | Dworman et al. |
| D371,508 S | 7/1996 | Sagol |
| 5,597,149 A | 1/1997 | Hodge |
| 5,649,256 A | 7/1997 | Wen |
| D382,287 S | 8/1997 | Palmer |
| 5,673,829 A | 10/1997 | Hartshorn |
| 5,738,321 A | 4/1998 | Moriyasu |
| 5,764,194 A | 6/1998 | Brown |
| D429,998 S | 8/2000 | Snell |
| D440,243 S | 4/2001 | Jacquet |
| D445,819 S | 7/2001 | Backs et al. |
| D450,962 S | 11/2001 | Hundley |
| D465,188 S | 11/2002 | McCoy et al. |
| D490,694 S | 6/2004 | Levine-Umans |
| D498,624 S | 11/2004 | Chen |
| D512,372 S | 12/2005 | Sakai |
| 7,126,556 B1 | 10/2006 | Wang |
| D537,668 S | 3/2007 | Murray |
| D537,856 S | 3/2007 | Tsao |
| D545,857 S | 7/2007 | Yip et al. |
| D550,488 S | 9/2007 | Nip et al. |
| 7,298,969 B2 | 11/2007 | Elberbaum |
| D558,250 S | 12/2007 | Hsia |
| 7,303,171 B1 | 12/2007 | Chen |
| D558,810 S * | 1/2008 | Alden D16/202 |
| D565,618 S | 4/2008 | Yip et al. |
| D569,713 S | 5/2008 | Sandidge |
| D573,622 S | 7/2008 | Fisher et al. |

(73) Assignee: **GOOGLE LLC**, Mountain View, CA (US)

(**) Term: **15 Years**

(21) Appl. No.: **29/656,139**

(22) Filed: **Jul. 10, 2018**

Related U.S. Application Data

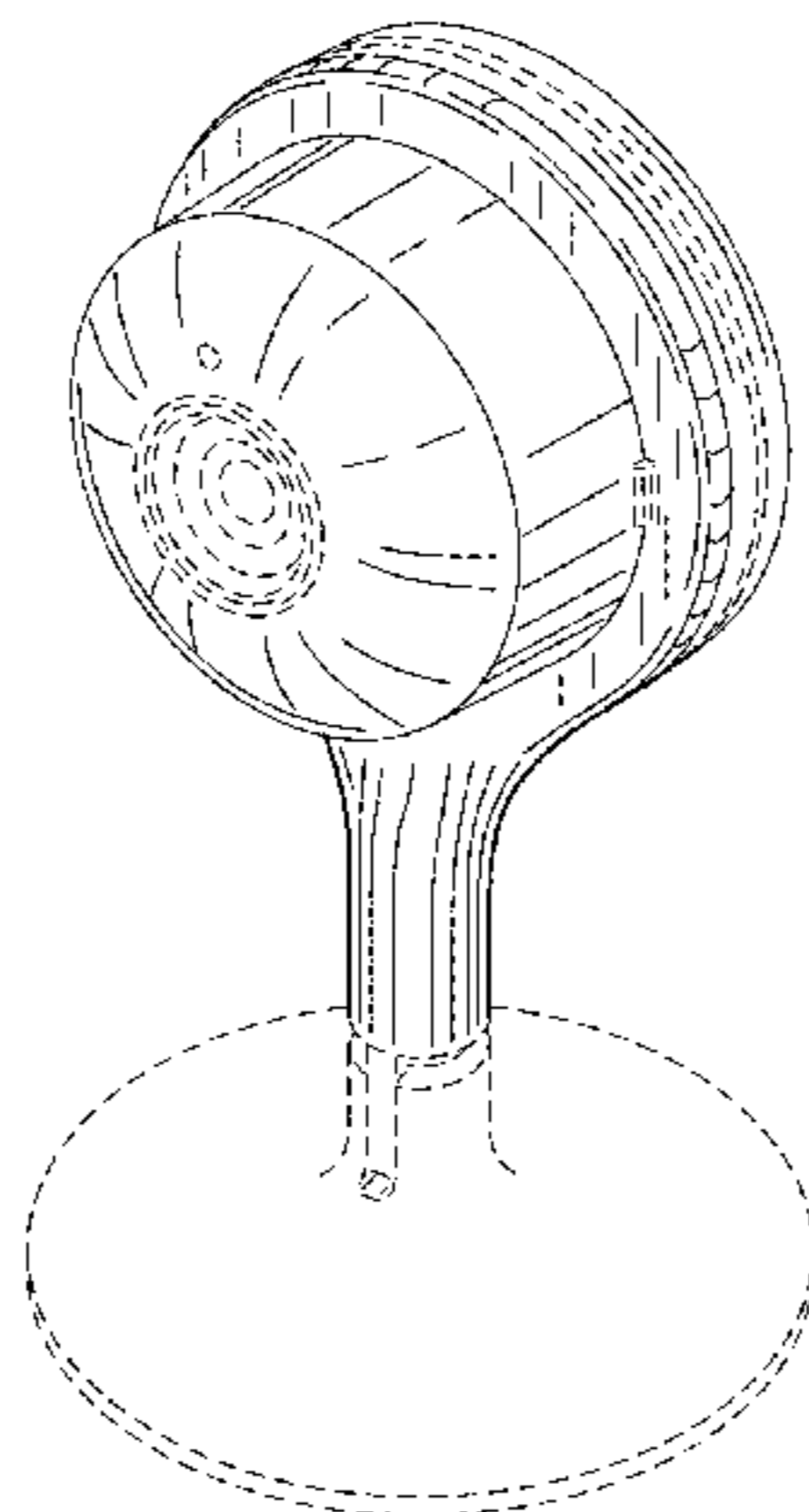
(63) Continuation of application No. 29/530,172, filed on Jun. 14, 2015, now Pat. No. Des. 822,749, which is a continuation of application No. 14/738,880, filed on Jun. 13, 2015, now Pat. No. 9,388,934.

(51) **LOC (12) Cl.** **16-05**

(52) **U.S. Cl.**
USPC **D16/219; D16/203**

(58) **Field of Classification Search**
USPC D16/200, 202-206, 212, 214-216, 218, D16/219, 227, 229, 239, 240, 242, 244; D25/16; 52/27.5, 29, 36.1; 348/373-376; 396/2, 3, 5, 419, 424, 427, 396/429, 535, 539-541; 455/575.3
CPC G03B 15/00; G03B 15/03; G03B 15/06; G03B 17/02; G03B 17/04; G03B 17/53; G03B 17/56; G03B 19/04; H04N 5/2251; H04N 5/2252; H04N 5/2253; H04N 5/2254; H04N 2101/00

See application file for complete search history.



D575,316 S 8/2008 Liu et al.
D577,527 S 9/2008 Yu
7,559,518 B2 7/2009 Ye
D600,728 S 9/2009 Braganca et al.
D602,967 S 10/2009 Hui
D613,292 S 4/2010 Carver
D621,077 S 8/2010 Fleischman
D636,174 S 4/2011 Smith
D636,513 S 4/2011 Furtsch
D638,461 S 5/2011 Kim et al.
8,072,536 B1 12/2011 Campbell
D662,957 S 7/2012 Stubel
D672,225 S 12/2012 Virnig
D688,289 S 8/2013 Hodgson
8,511,625 B2 8/2013 Stefan et al.
8,596,890 B2 12/2013 Yim et al.
D700,504 S 3/2014 Blocker
D719,205 S 12/2014 Matsumoto
D719,605 S 12/2014 Dordick
8,902,355 B2 12/2014 Dudkowski
D721,396 S 1/2015 Gustavson, II
D726,806 S 4/2015 Demars
D726,807 S 4/2015 DeMars
8,998,512 B1 4/2015 Celler
D729,296 S 5/2015 Shelton
9,057,934 B2 6/2015 Lellky et al.
D734,801 S 7/2015 Yang
D740,871 S 10/2015 Moon et al.
D742,954 S 11/2015 Simonelli et al.
D746,350 S 12/2015 Li
9,309,012 B1 4/2016 Kilgore et al.
9,327,851 B1 5/2016 Kilgore et al.
9,377,157 B1 6/2016 Kilgore et al.
9,388,934 B1 7/2016 Kilgore et al.
9,415,921 B2 8/2016 Marchetti et al.
9,423,672 B1 8/2016 Kilgore et al.
D775,682 S 1/2017 Ou et al.
D775,684 S 1/2017 Jacob et al.
D784,434 S * 4/2017 Benedetti D16/202
D785,693 S * 5/2017 Kim D16/202
9,718,182 B2 8/2017 Azhocar
D798,360 S * 9/2017 Jeong D16/203
D801,406 S * 10/2017 Jeong D16/203
9,838,577 B2 * 12/2017 Tompkins F16M 11/08
D813,289 S * 3/2018 Laffon de Mazieres D16/202
D814,544 S * 4/2018 Moon D16/203
D815,177 S * 4/2018 Jeong D16/203
D828,425 S * 9/2018 Piekarski D16/202
D828,426 S * 9/2018 Li D16/202
2001/0020975 A1 9/2001 Kerai et al.
2003/0161623 A1 8/2003 Saruhashi
2003/0201371 A1 10/2003 Zadok
2005/0122424 A1 6/2005 Overstreet
2006/0113214 A1 6/2006 Shimizu et al.
2007/0152117 A1 7/2007 Byrd
2007/0278366 A1 12/2007 McGill
2007/0284496 A1 12/2007 Yokota
2008/0061199 A1 3/2008 Chen
2008/0068493 A1 3/2008 Hida et al.
2008/0093514 A1 4/2008 Carnevali
2009/0308993 A1 12/2009 Chang
2011/0163211 A1 7/2011 Cicco
2012/0043439 A1 2/2012 Liao
2013/0010143 A1 1/2013 Phillips
2013/0193288 A1 8/2013 Congdon
2013/0215322 A1 8/2013 Haler
2013/0244816 A1 9/2013 Lignelli et al.
2013/0270317 A1 10/2013 Wang
2013/0279098 A1 10/2013 Cho
2013/0292531 A1 11/2013 Schaefer et al.
2014/0125824 A1 5/2014 Takizawa

2014/0226061 A1 8/2014 Kuehl et al.
2015/0122852 A1 5/2015 Feng
2016/0296002 A1 10/2016 Srey
2016/0353867 A1 12/2016 Due

FOREIGN PATENT DOCUMENTS

DE 9407862 U1 11/1994
DE 202012101588 U1 7/2012
WO WO 2013/133461 A1 9/2013

OTHER PUBLICATIONS

Wasserstein Nest Cam Wall Mount review. [online] Published Sep. 13, 2016. Retrieved from URL: <<http://the-gadgeteer.com/2016/09/13/wasserstein-nest-cam-wall-mount-review/>>, 7 pgs.

Nest—Cam Security Camera—Black/Silver. [online] Retrieved May 16, 2017 from URL: <[http://www.bestbuy.com/site/nest-cam-security-camerablacksilver/6473147.p?skuId=6473147&extStoreId=&ref=212&loc=1&ksid=7db5bd2d%C2cY0AD2404"YoC2%AD41d3cY0C2"YoAD86b9cY0C2cY0AD"YoE2"\)/080%A61/3](http://www.bestbuy.com/site/nest-cam-security-camerablacksilver/6473147.p?skuId=6473147&extStoreId=&ref=212&loc=1&ksid=7db5bd2d%C2cY0AD2404)>, 3 pgs.

* cited by examiner

Primary Examiner — Ramzi S Almatrahi
(74) *Attorney, Agent, or Firm* — Morgan, Lewis & Bockius LLP

(57) **CLAIM**

The ornamental design for a camera, as shown and described.

DESCRIPTION

The present application is related to U.S. patent application Ser. No. 29/530,171, issued as U.S. Design Pat. No. D775,684, entitled “Stand Assembly,” filed on Jun. 14, 2015; U.S. patent application Ser. No. 29/530,170, issued as U.S. Design Pat. No. D807,948, entitled “Receiving Element of a Stand Assembly,” filed on Jun. 14, 2015; and U.S. patent application Ser. No. 29/530,169, issued as U.S. Design Pat. No. D800,824, entitled “Camera Stand Base,” filed on Jun. 14, 2015, each of which is hereby incorporated by reference in its entirety.

FIG. 1 is a perspective view of a camera showing our new design.

FIG. 2 is a front elevation view of the camera shown in FIG. 1.

FIG. 3 is a rear elevation view of the camera shown in FIG. 1.

FIG. 4 is a side view of the camera shown in FIG. 1.

FIG. 5 is a top plan view of the camera shown in FIG. 1; and, FIG. 6 is a bottom plan view of the camera shown in FIG. 1.

The broken lines depicting portions of a camera in the above described figures form no part of the claimed design. The broken lines showing base structures in FIGS. 1-6 represent environmental structures that form no part of the claimed design.

1 Claim, 6 Drawing Sheets

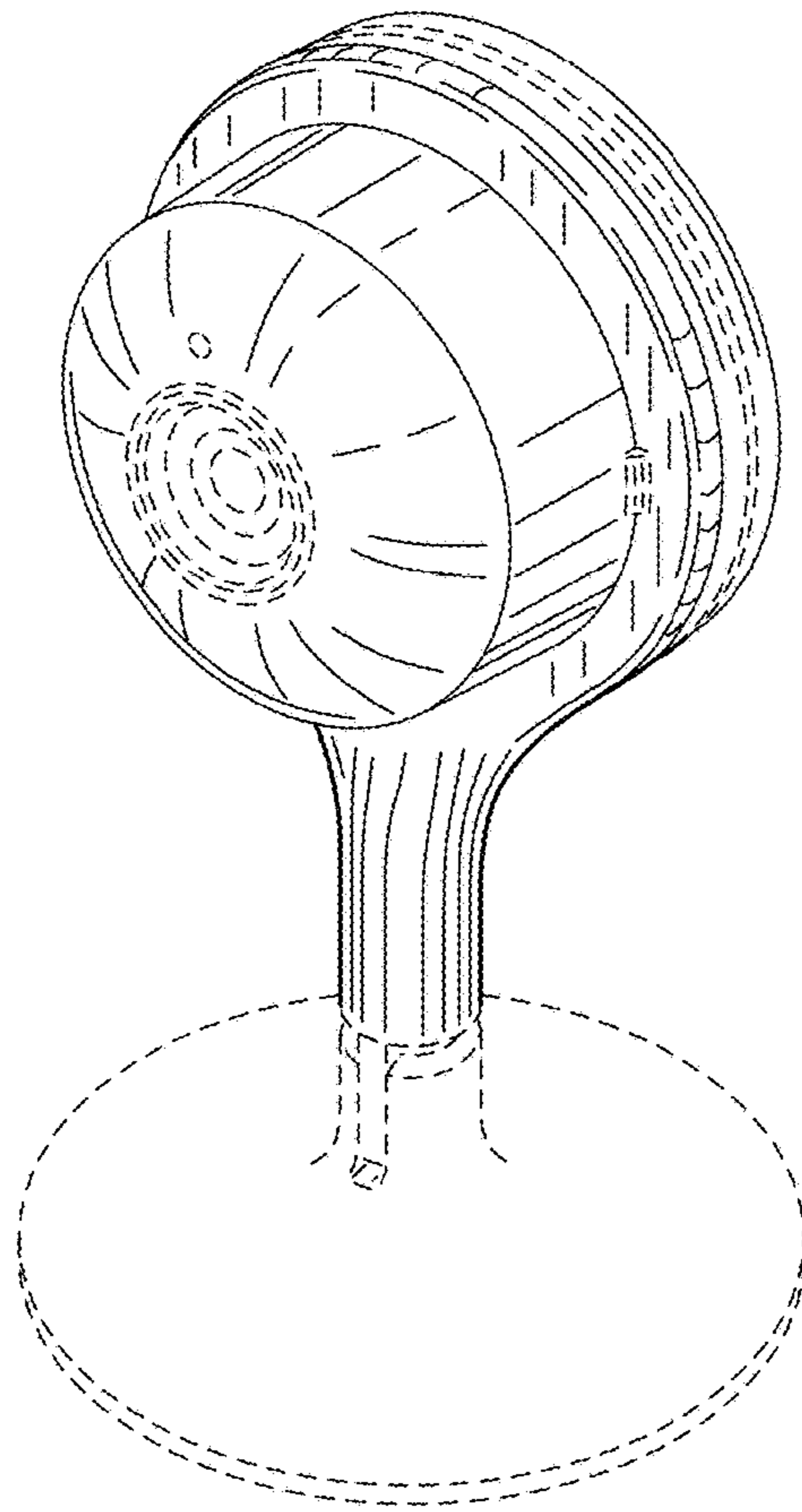


Figure 1

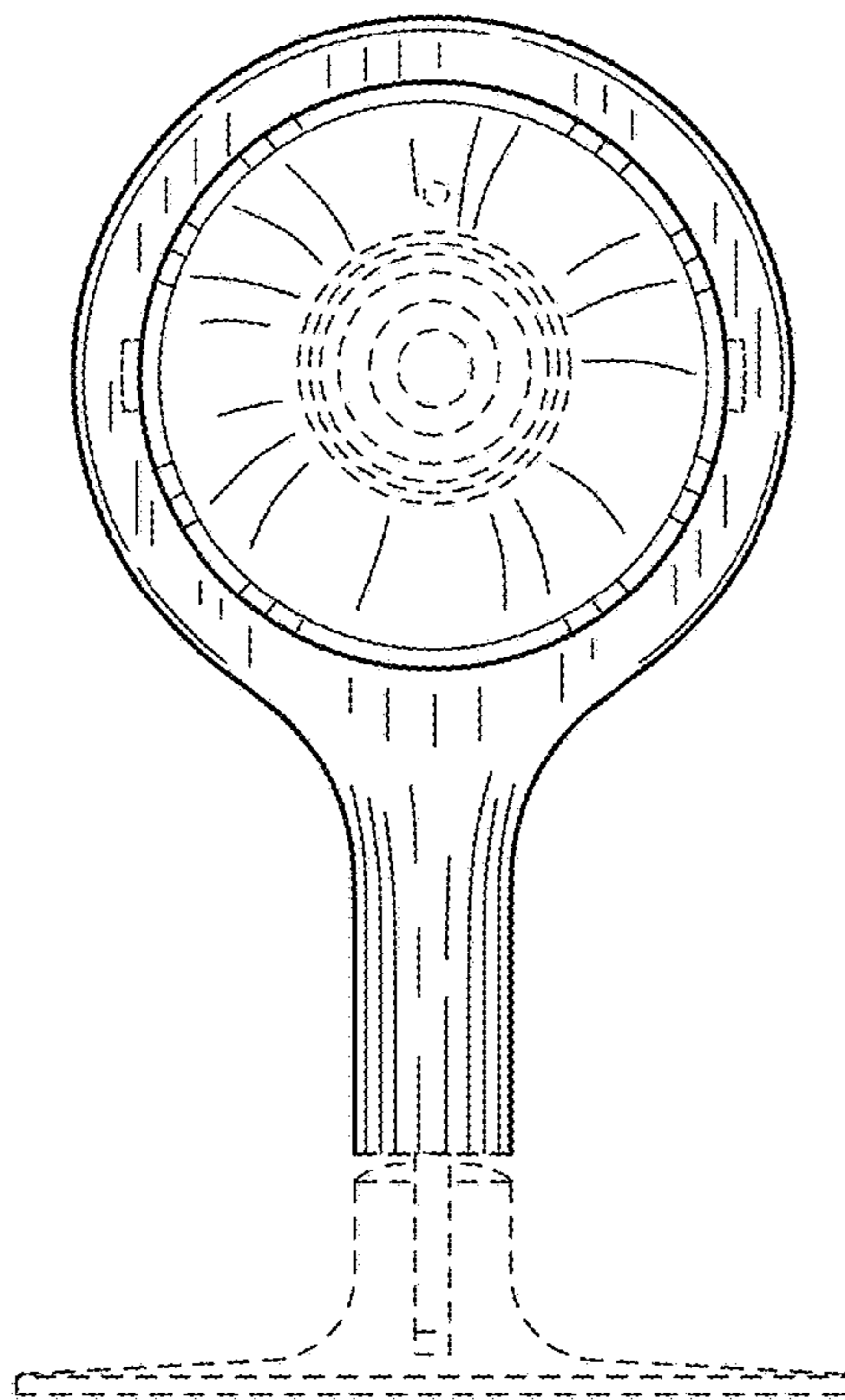


Figure 2

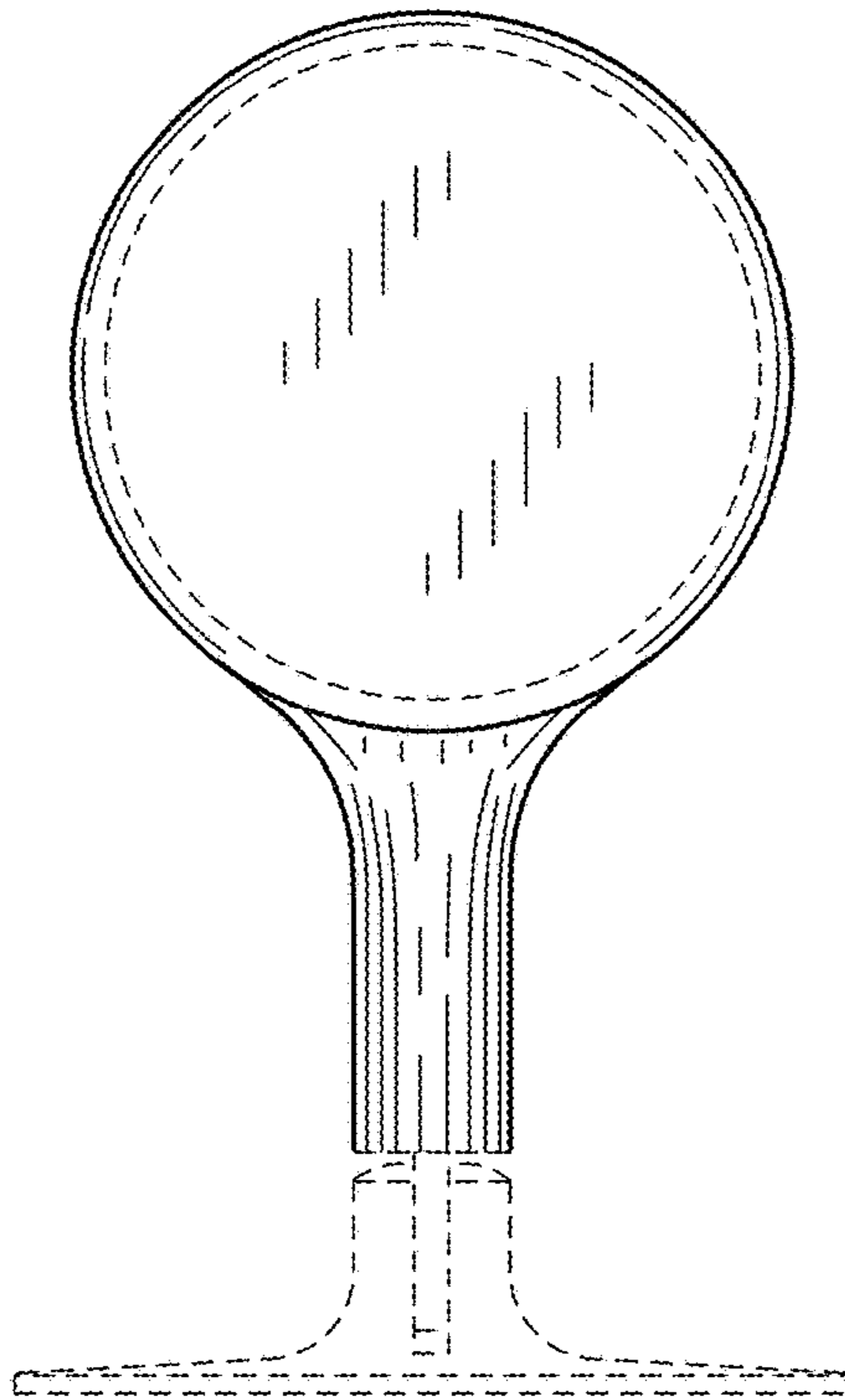


Figure 3

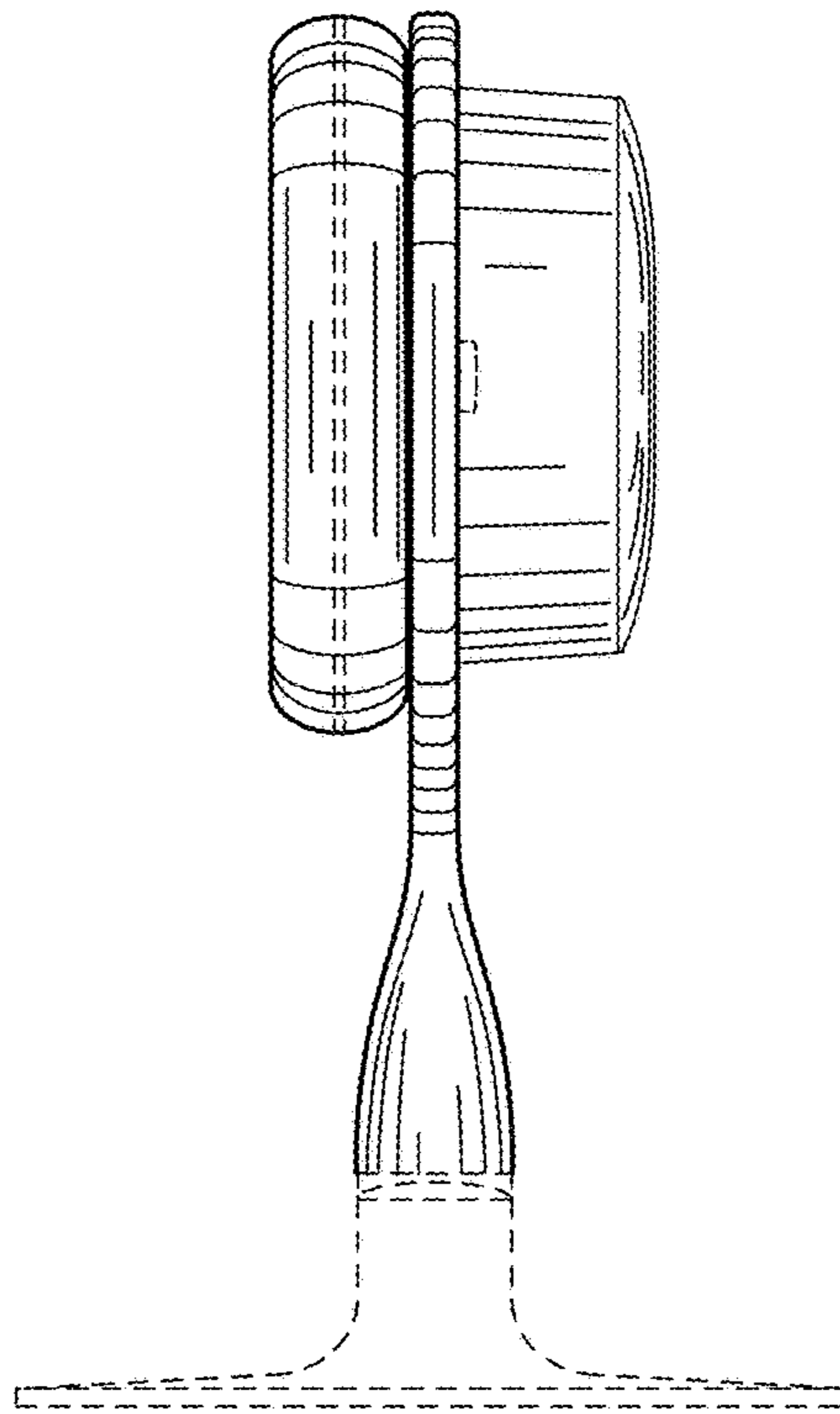


Figure 4

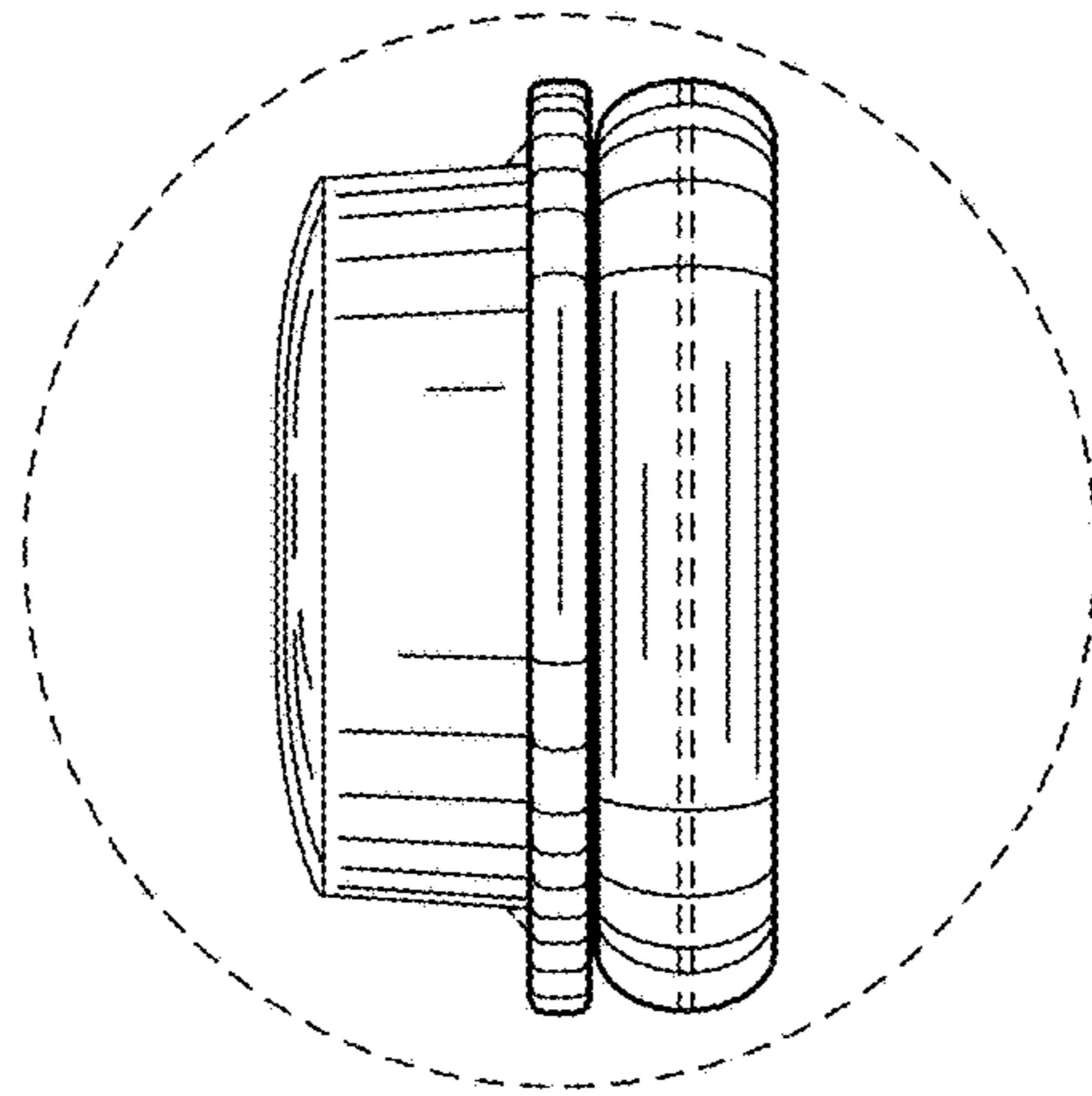


Figure 5

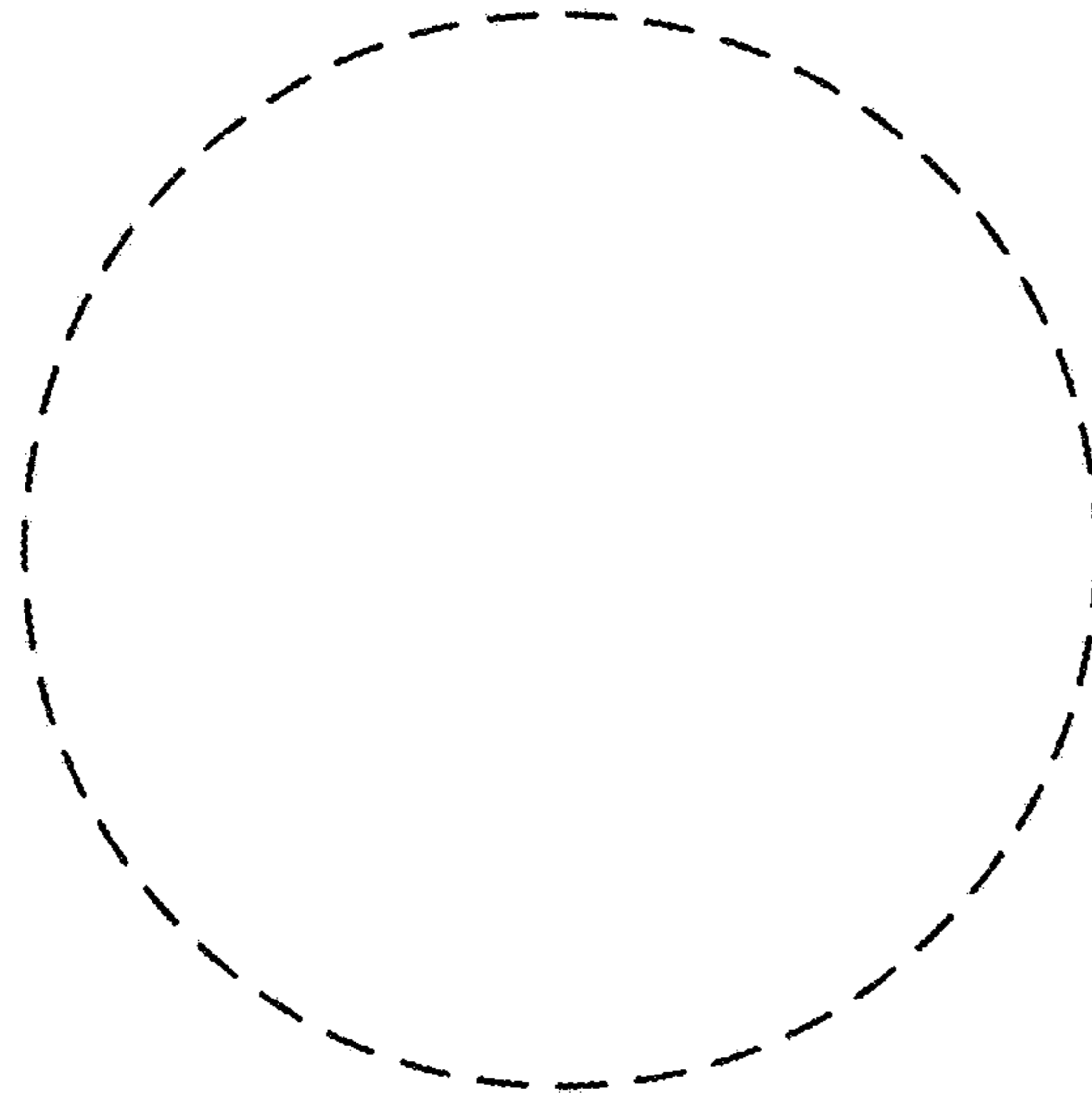


Figure 6