



US00D855680S

(12) **United States Design Patent** (10) **Patent No.:** **US D855,680 S**  
**Ruff** (45) **Date of Patent:** **\*\* Aug. 6, 2019**

(54) **OBJECTIVE LENS**  
(71) Applicant: **Carl Zeiss AG**, Oberkochen (DE)  
(72) Inventor: **Peter Ruff**, Aalen (DE)  
(73) Assignee: **Carl Zeiss AG**, Oberkochen (DE)  
(\*\*) Term: **15 Years**

(21) Appl. No.: **29/621,482**

(22) Filed: **Oct. 9, 2017**

(30) **Foreign Application Priority Data**

Apr. 8, 2017 (DE) ..... 40 2017 000 488

(51) **LOC (12) Cl.** ..... **16-05**

(52) **U.S. Cl.**  
USPC ..... **D16/219**

(58) **Field of Classification Search**  
USPC ..... D16/134, 136, 200, 202–205, 218, 219,  
D16/235, 242; 348/373–376;  
359/826–828; 396/529–532, 535,  
396/539–541  
CPC ..... G03B 17/02; G03B 19/04; G03B 17/56;  
G03B 17/04; G03B 15/03; G03B 17/14;  
H04N 5/2251; H04N 5/2252; H04N  
5/2253; H04N 5/2254; G02B 7/02; G02B  
7/04; G02B 7/14

See application file for complete search history.

(56) **References Cited**

**U.S. PATENT DOCUMENTS**

D243,172 S 1/1977 Uetake et al.  
D247,500 S 3/1978 Isono  
D247,569 S 3/1978 Isono  
D548,261 S \* 8/2007 Nakamura ..... D16/134  
D548,262 S \* 8/2007 Nakamura ..... D16/134  
D566,158 S \* 4/2008 Yasutomi ..... D16/134

D682,911 S \* 5/2013 Ohashi ..... D16/219  
D696,709 S \* 12/2013 Sato ..... D16/219  
D697,543 S \* 1/2014 Kim ..... D16/219  
D702,750 S \* 4/2014 Yoon ..... D16/219  
D702,751 S \* 4/2014 Yoon ..... D16/219  
D737,358 S \* 8/2015 Park ..... D16/219  
D741,936 S \* 10/2015 Chu ..... D16/219  
D741,938 S \* 10/2015 Lee ..... D16/219  
D764,562 S \* 8/2016 Kim ..... D16/219  
D781,949 S \* 3/2017 Lee ..... D16/219

**FOREIGN PATENT DOCUMENTS**

BR DI7002221 F 5/2011  
BR DI7002892 F 8/2011  
CN 200630053339.4 5/2007  
CN 201330282419.7 2/2014  
DE M9708473-0001 10/1998  
DE 402012005765-0001 3/2013  
DE 402012005765-0002 3/2013  
DE 402013001317-0001 3/2013

(Continued)

*Primary Examiner* — Ramzi S Almatrahi

(74) *Attorney, Agent, or Firm* — Ewers & Hasselmann  
PLLC

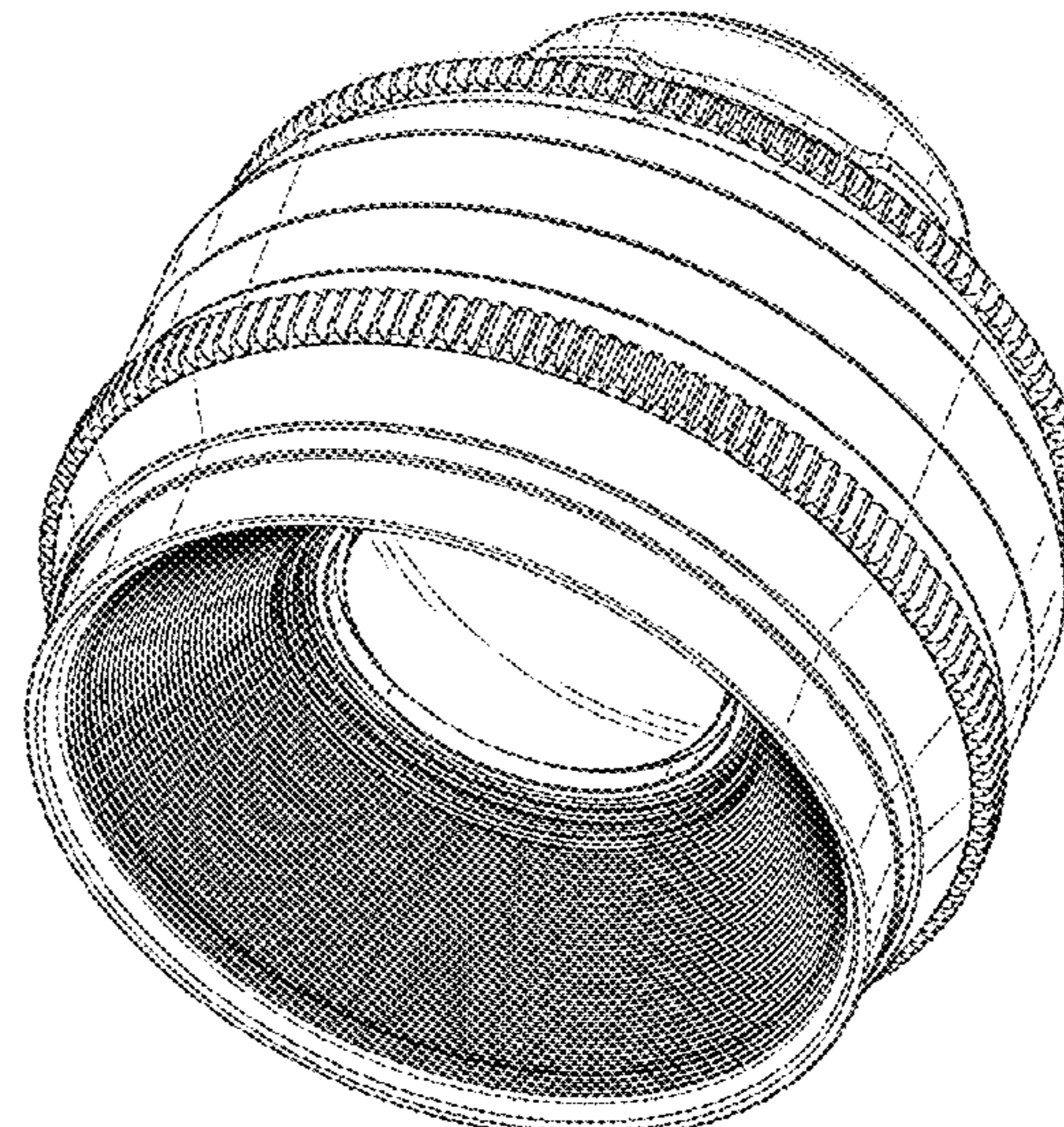
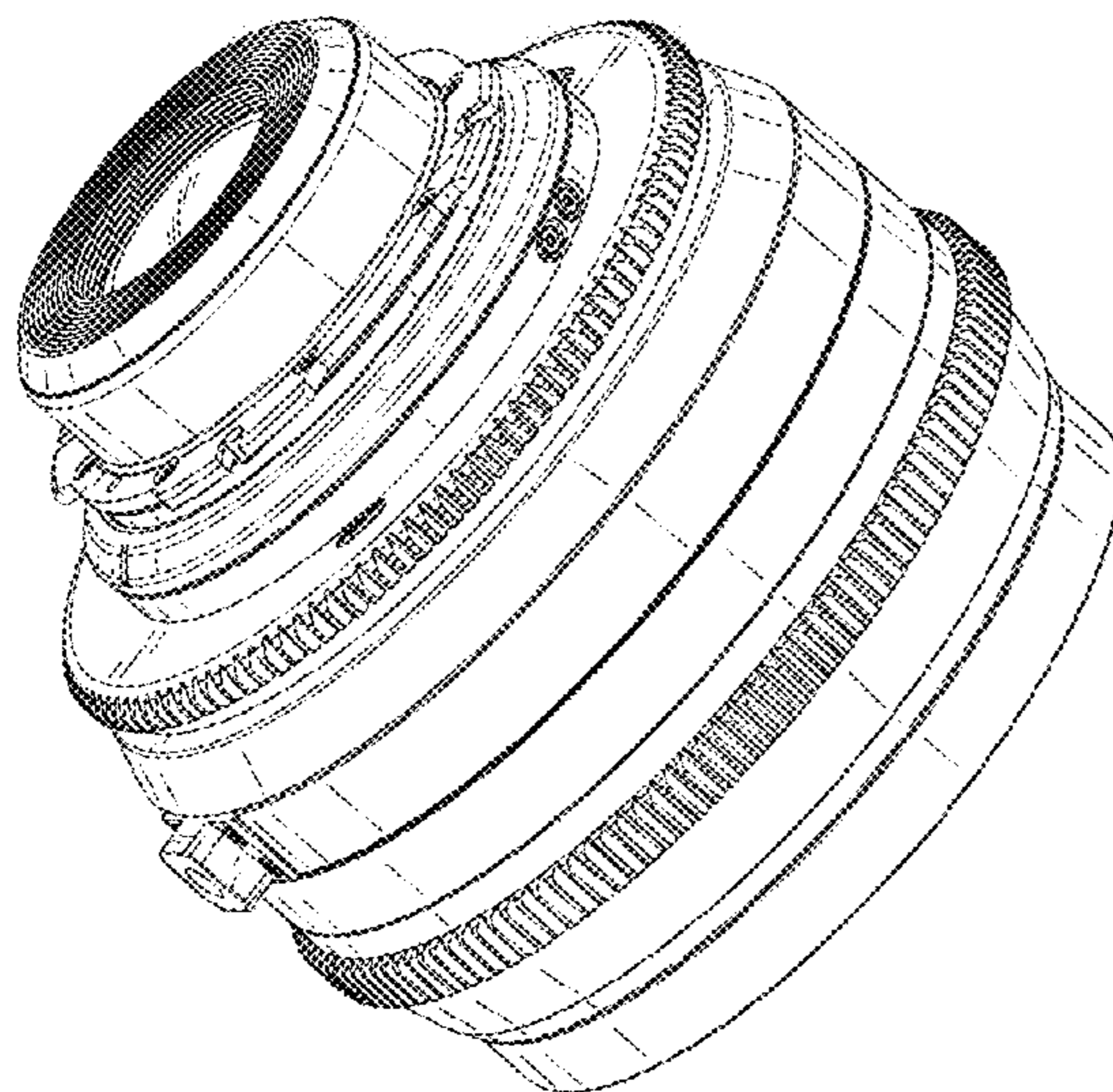
(57) **CLAIM**

The ornamental design for an objective lens, as shown and described.

**DESCRIPTION**

FIG. 1 is a top perspective view of an objective lens showing my new design;  
FIG. 2 is a front elevation view thereof;  
FIG. 3 is a rear elevation view thereof;  
FIG. 4 is a left side elevation view thereof;  
FIG. 5 is a right side elevation view thereof;  
FIG. 6 is a bottom plan view thereof;  
FIG. 7 is a top plan view thereof; and,  
FIG. 8 is a bottom perspective view thereof.

**1 Claim, 8 Drawing Sheets**



(56)

References Cited

FOREIGN PATENT DOCUMENTS

DE 402013001317-0002 3/2013  
 DE 402013001318-0001 3/2013  
 DE 402013001318-0002 3/2013  
 DE 402013001318-0003 3/2013  
 DE 402013001318-0004 3/2013  
 DE 402013001318-0005 3/2013  
 DE 402013001318-0006 3/2013  
 DE 402016000911-0001 10/2016  
 DE 402016000911-0002 10/2016  
 EM 000840152-0001 1/2008  
 EM 000840152-0002 1/2008  
 EM 000840152-0003 1/2008  
 EM 000840152-0004 1/2008  
 EM 002015644-0001 3/2012  
 EM 002015644-0002 3/2012  
 EM 002015644-0003 3/2012  
 EM 002182774-0001 2/2013  
 EM 002182774-0002 2/2013  
 EM 002182774-0003 2/2013  
 EM 002260018-0001 7/2013  
 EM 002260018-0002 7/2013  
 EM 001381255-0001 10/2013  
 EM 001381255-0002 10/2013  
 EM 001381255-0003 10/2013  
 EM 001381255-0004 10/2013  
 EM 001381255-0005 10/2013

EM 001381255-0006 10/2013  
 EM 001381255-0007 10/2013  
 EM 001381255-0008 10/2013  
 EM 001381255-0009 10/2013  
 EM 001381255-0010 10/2013  
 EM 001381255-0011 10/2013  
 EM 001381255-0012 10/2013  
 EM 001381255-0013 10/2013  
 EM 001381255-0014 10/2013  
 EM 001381255-0015 10/2013  
 EM 001381255-0016 10/2013  
 EM 001383582-0001 10/2013  
 EM 001383582-0002 10/2013  
 EM 001383582-0003 10/2013  
 EM 001383582-0004 10/2013  
 EM 001383582-0005 10/2013  
 EM 001383582-0006 10/2013  
 EM 001383582-0007 10/2013  
 EM 001383582-0008 10/2013  
 EM 001383582-0009 10/2013  
 EM 001383582-0010 10/2013  
 EM 001383582-0011 10/2013  
 EM 001383582-0012 10/2013  
 EM 001383582-0013 10/2013  
 EM 001383582-0014 10/2013  
 EM 004119022-0003 8/2017  
 RU 98346 6/2015  
 WO D094596-0001 2/2017  
 WO D094596-0002 2/2017

\* cited by examiner



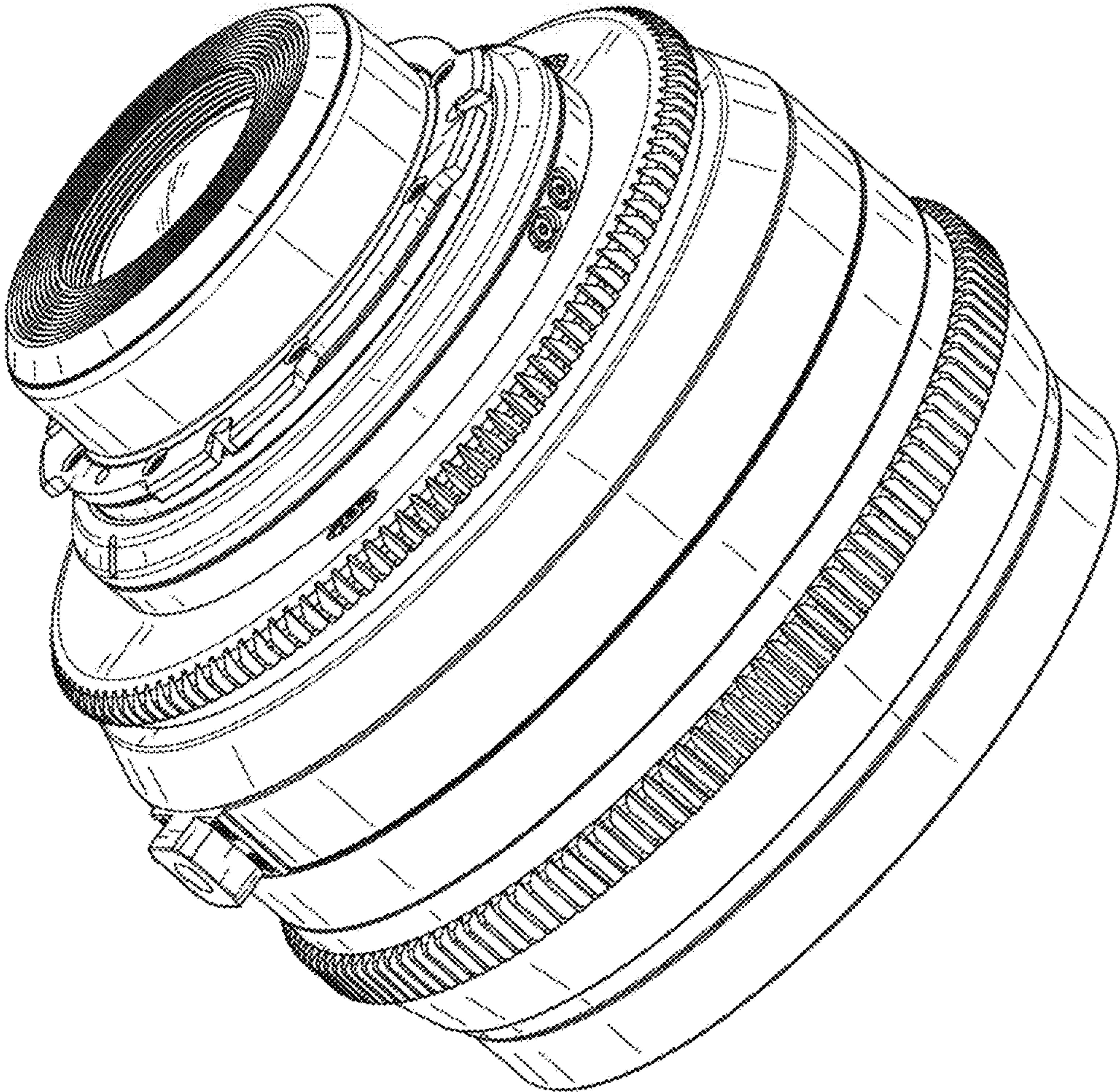


FIG. 1

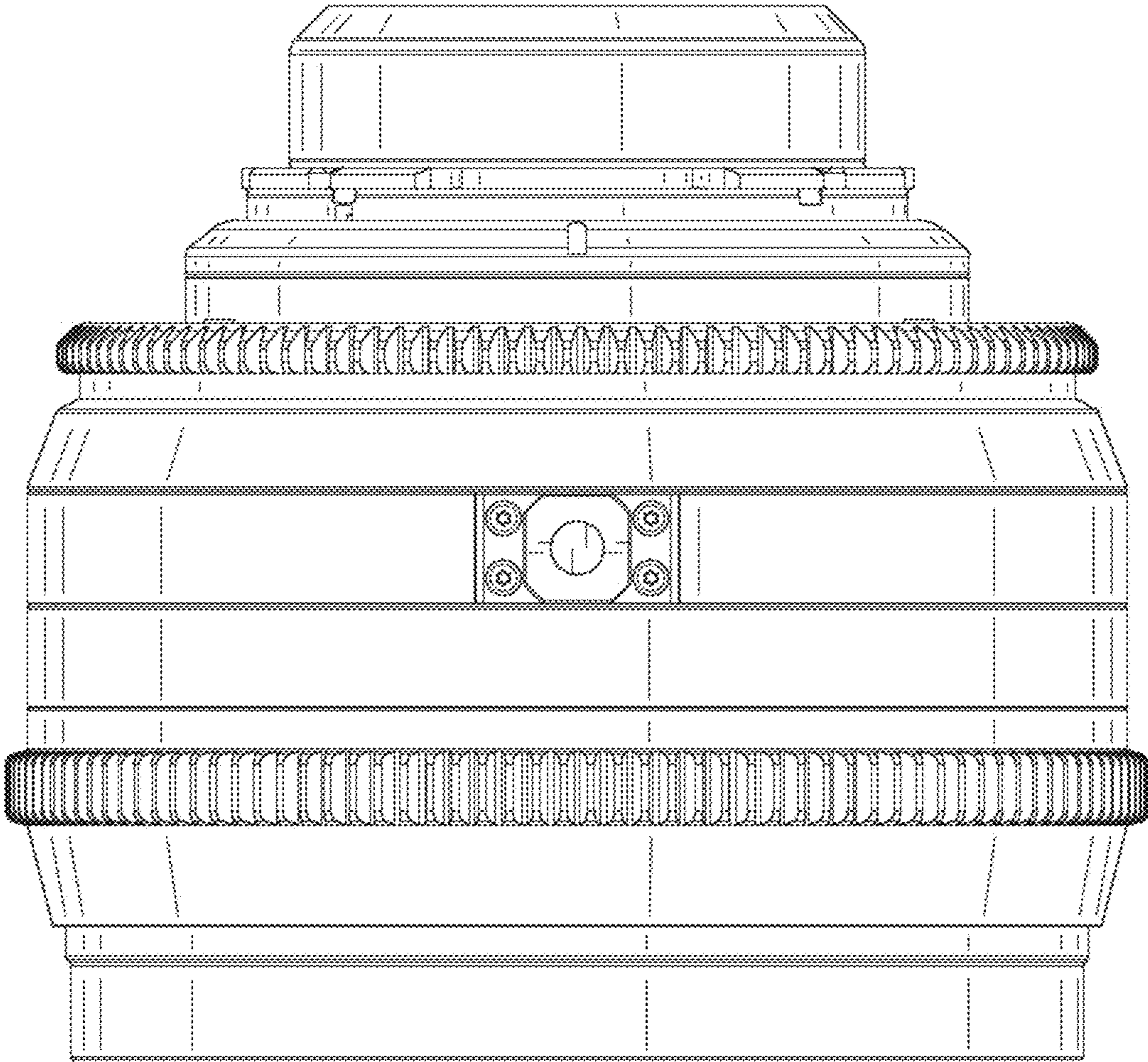


FIG. 2



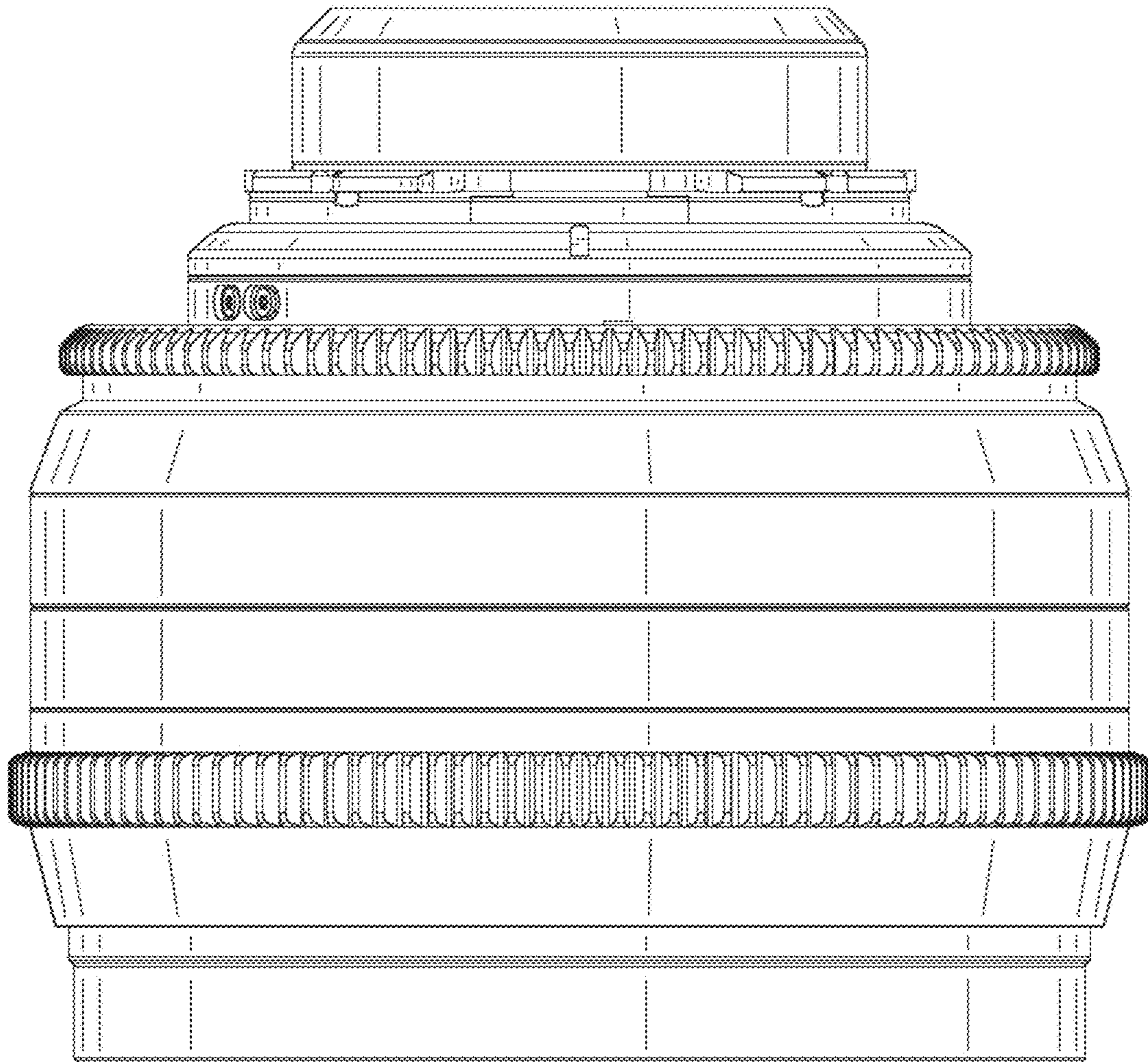


FIG. 3

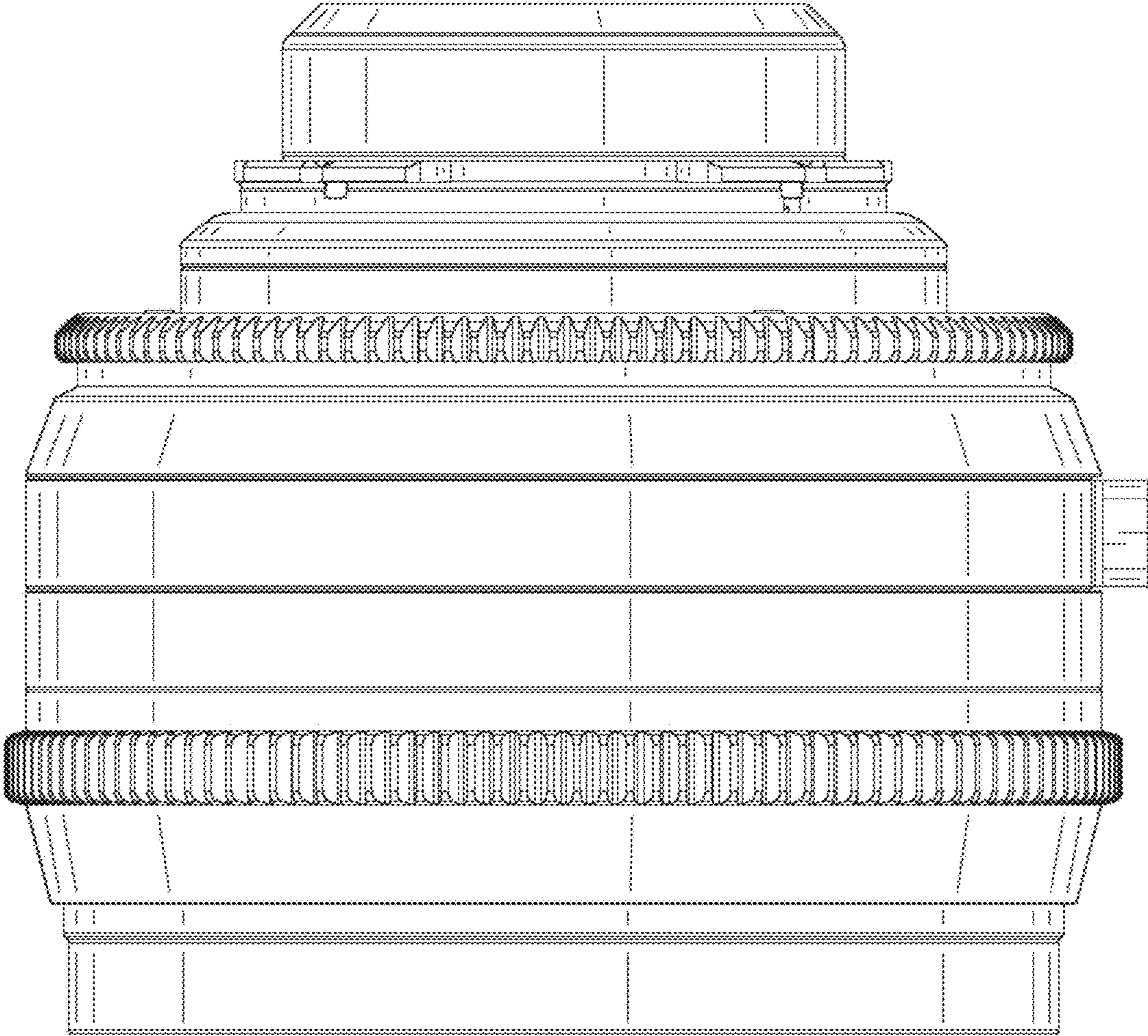


FIG. 4

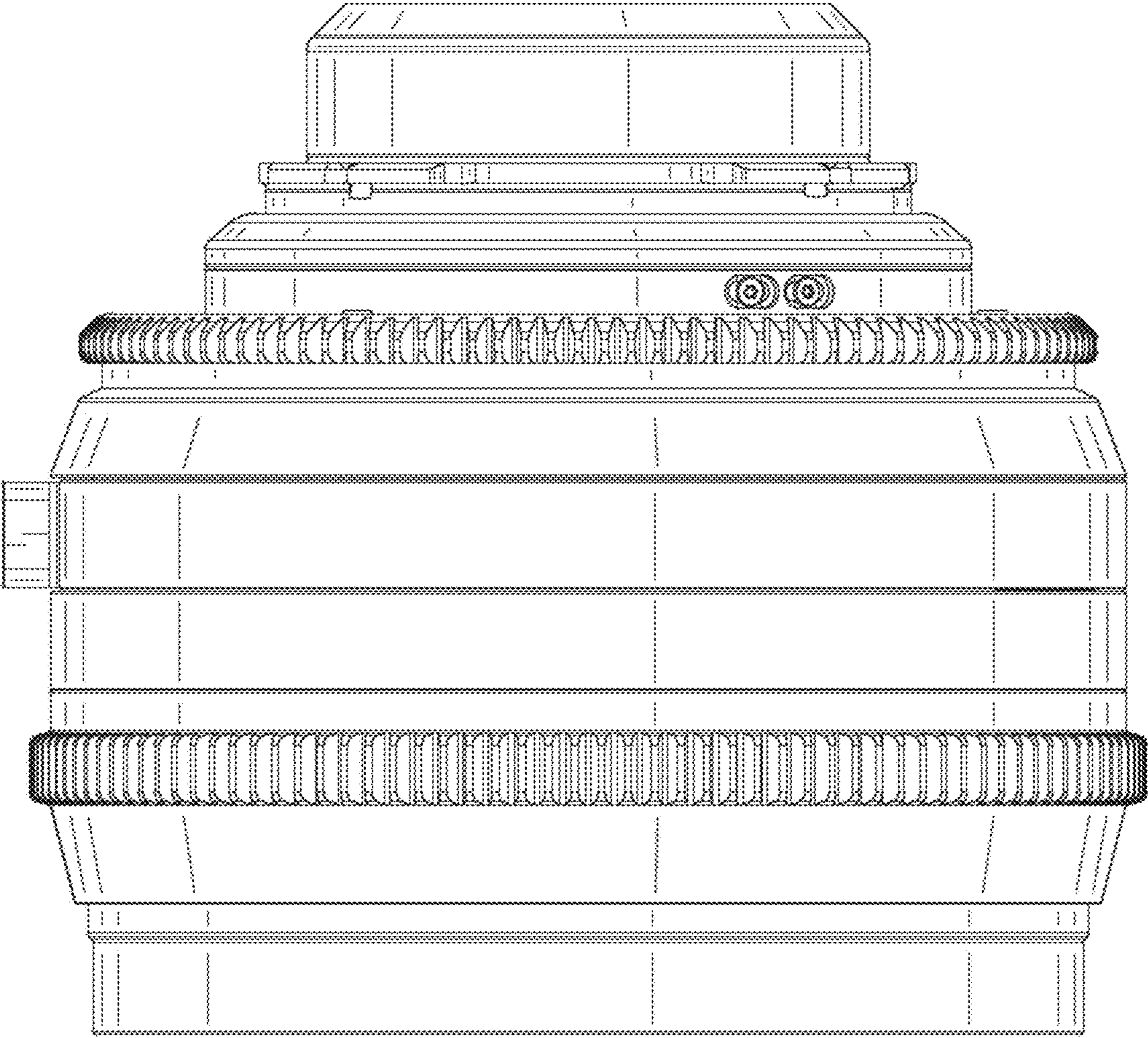


FIG. 5



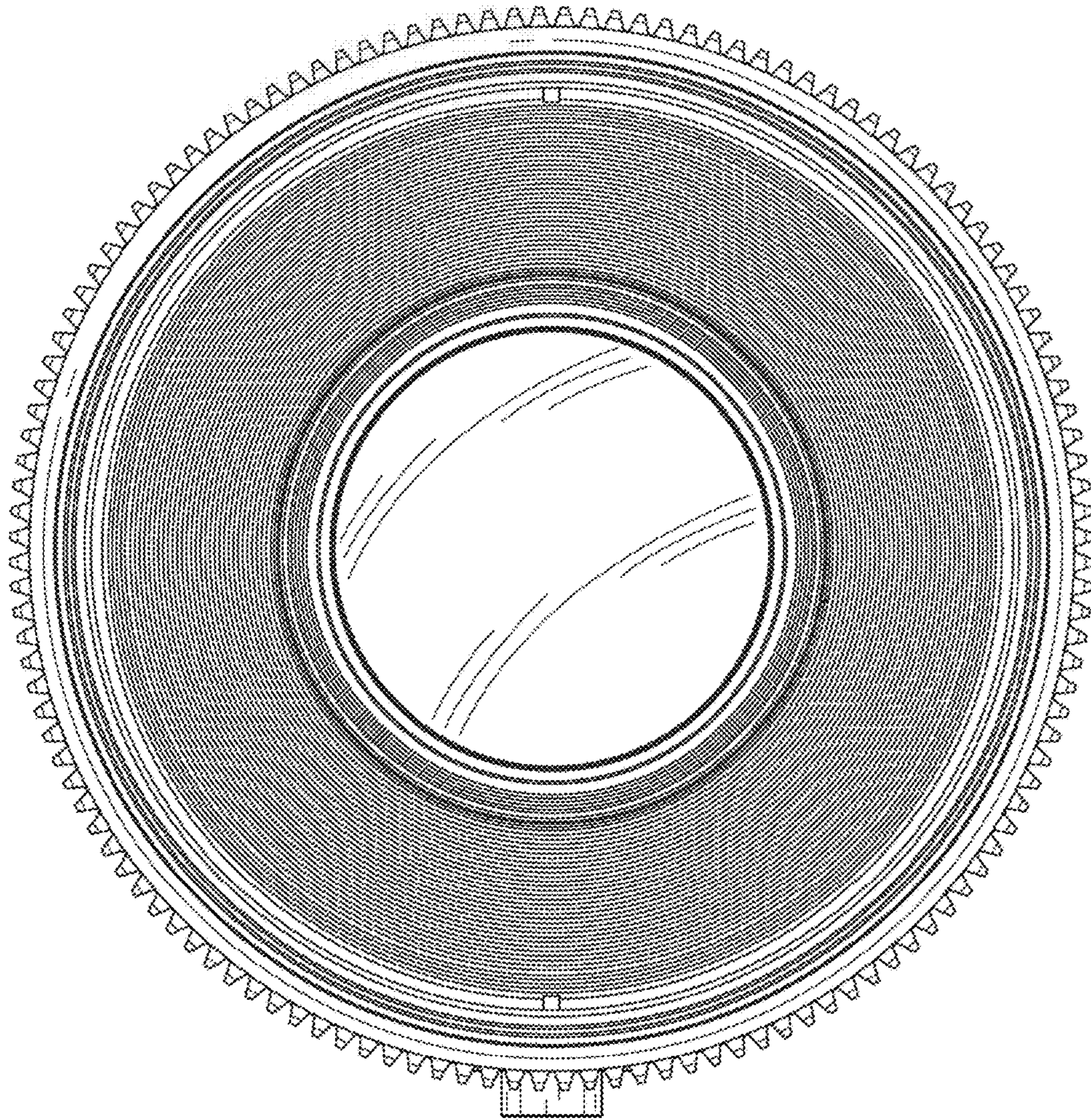


FIG. 6



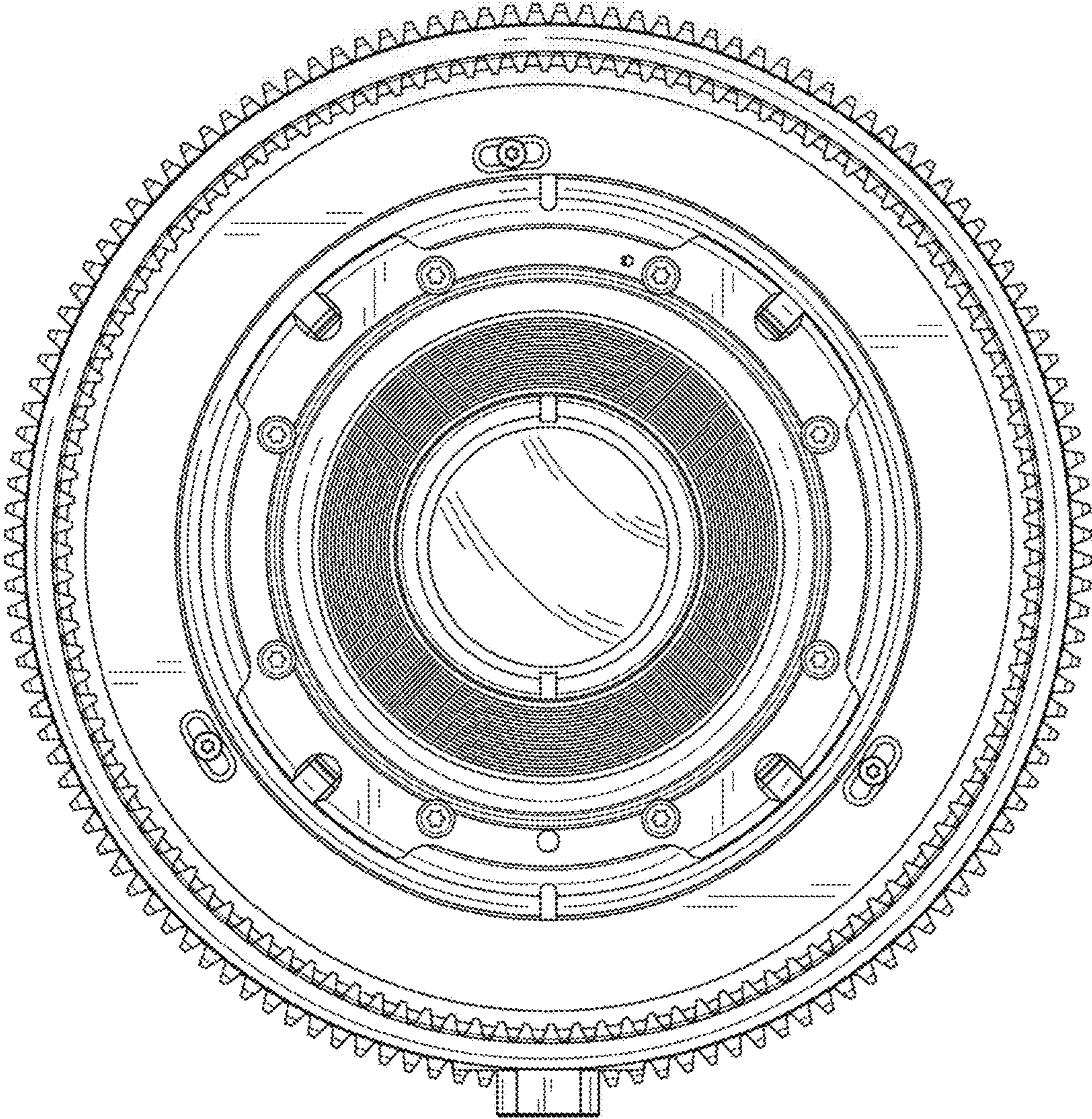


FIG. 7



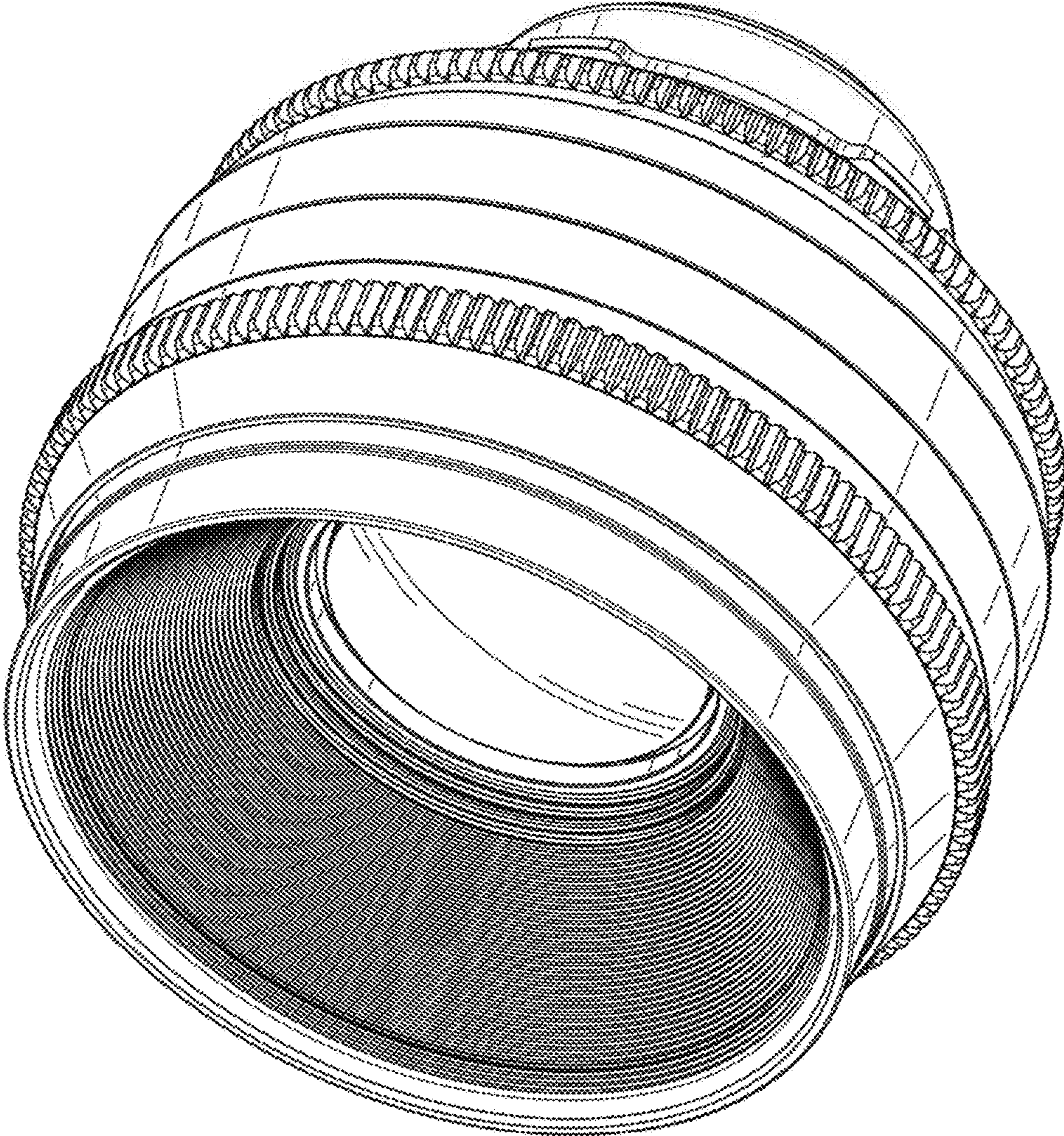


FIG. 8