



US00D855679S

(12) **United States Design Patent**  
**Takagi**

(10) **Patent No.:** **US D855,679 S**

(45) **Date of Patent:** **\*\* \*Aug. 6, 2019**

(54) **DIGITAL CAMERA**

(71) Applicant: **FUJIFILM Corporation**, Minato-ku,  
Tokyo (JP)

(72) Inventor: **Masaaki Takagi**, Saitama (JP)

(73) Assignee: **FUJIFILM Corporation**, Minato-Ku,  
Tokyo (JP)

(\*) Notice: This patent is subject to a terminal dis-  
claimer.

(\*\*) Term: **15 Years**

(21) Appl. No.: **29/589,922**

(22) Filed: **Jan. 5, 2017**

(30) **Foreign Application Priority Data**

Jul. 6, 2016 (JP) ..... 2016-014427

(51) **LOC (12) Cl.** ..... **16-01**

(52) **U.S. Cl.**  
USPC ..... **D16/219**

(58) **Field of Classification Search**  
USPC ..... D16/200–220, 131  
CPC ... G02B 7/02; G02B 7/04; G02B 7/14; G02B  
3/14; G03B 17/00; G03B 17/02; G03B  
17/56; G03B 17/04; G03B 17/14; G03B  
15/03; G03B 9/08; H04N 5/2251; H04N  
5/2252; H04N 5/2253; H04N 5/2254;  
H04N 7/00; H04N 2101/00; F16M 13/00  
See application file for complete search history.

(56) **References Cited**

**U.S. PATENT DOCUMENTS**

D677,303 S \* 3/2013 Nojima ..... D16/219  
D700,229 S \* 2/2014 Ham ..... D16/202  
D713,869 S \* 9/2014 Kim ..... D16/202  
D727,990 S \* 4/2015 Sakai ..... D16/202

D783,418 S 4/2017 Menkin  
9,826,134 B2 \* 11/2017 Ohtsuka ..... H04N 5/23203  
D838,764 S \* 1/2019 Imai ..... D16/219  
2006/0269272 A1 \* 11/2006 Shibayama ..... H04N 5/2251  
396/287  
2007/0103554 A1 \* 5/2007 Kaihara ..... G02B 27/0006  
348/207.99  
2009/0207303 A1 \* 8/2009 Kusatsugu ..... G03B 13/00  
348/376  
2010/0020184 A1 \* 1/2010 Kurosawa ..... G03B 17/00  
348/208.11  
2011/0026911 A1 \* 2/2011 Kishida ..... G03B 13/06  
396/374  
2012/0051732 A1 \* 3/2012 Aoki ..... G03B 17/02  
396/374

(Continued)

**FOREIGN PATENT DOCUMENTS**

JP D1508890 S 10/2014

*Primary Examiner* — Barbara Fox

*Assistant Examiner* — Mary C Ramirez

(74) *Attorney, Agent, or Firm* — Sughrue Mion, PLLC

(57) **CLAIM**

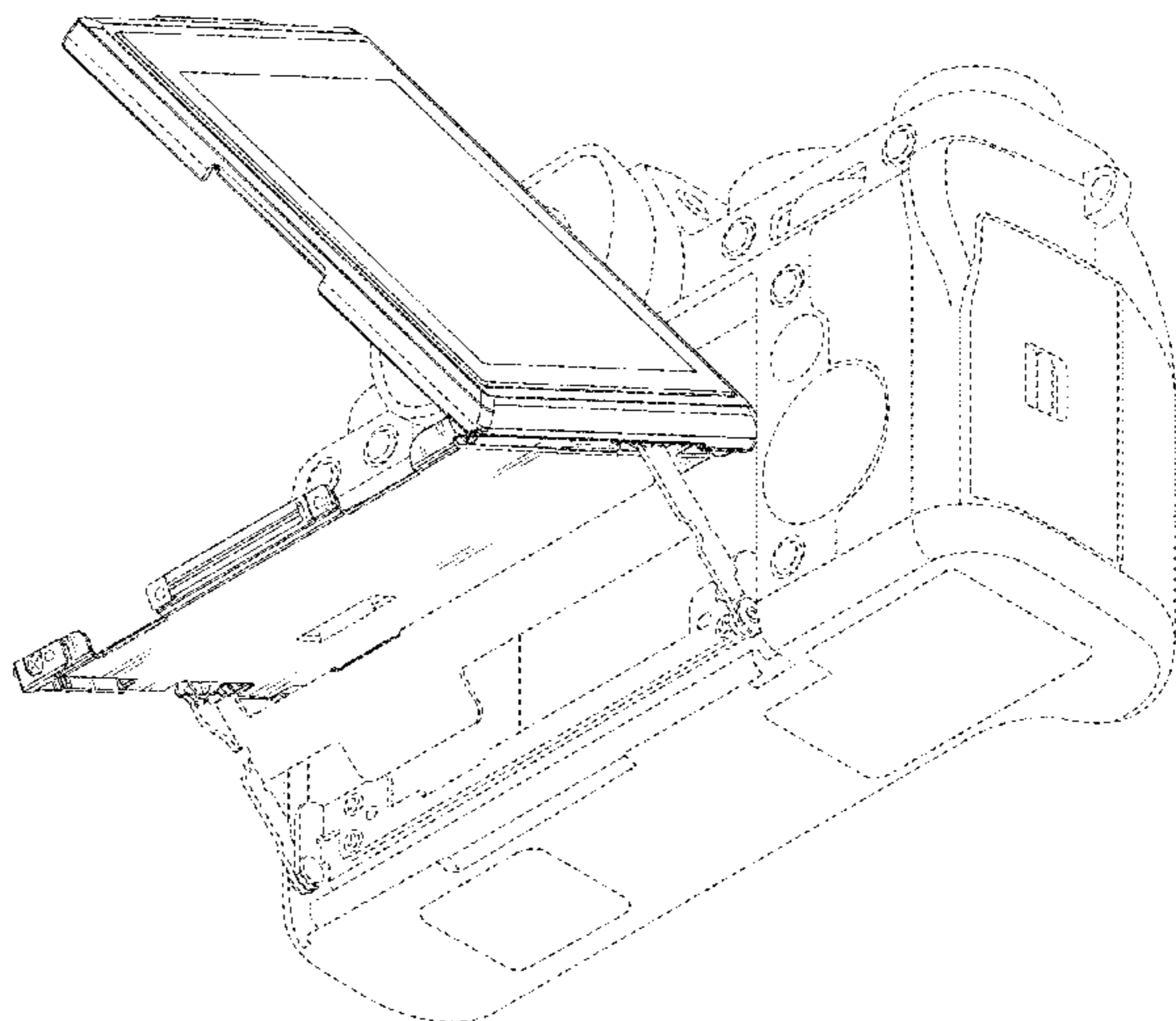
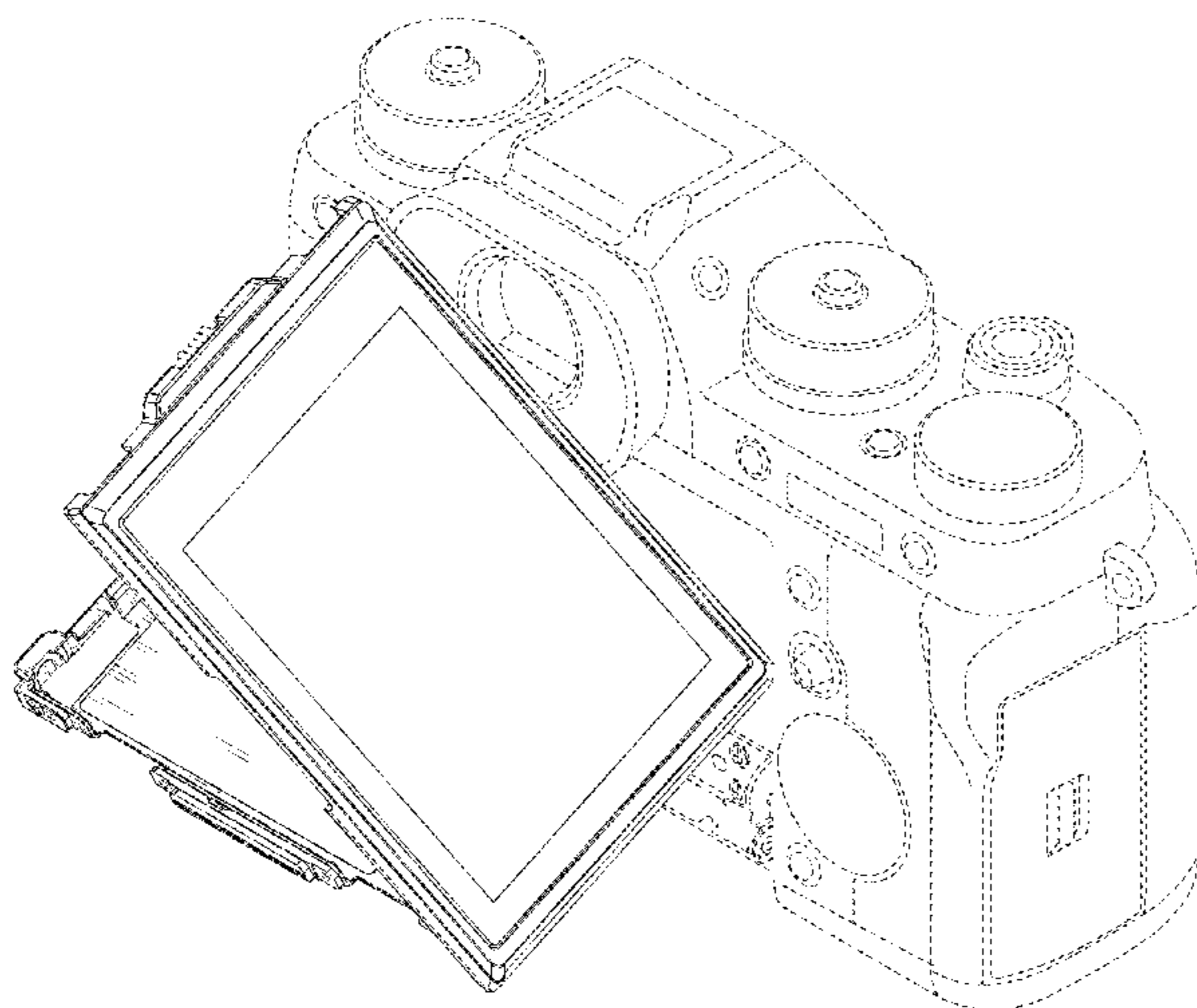
The ornamental design for a digital camera, as shown and  
described.

**DESCRIPTION**

FIG. 1 is a rear, left perspective view of a digital camera  
showing the new design;  
FIG. 2 is a rear bottom, left perspective view thereof;  
FIG. 3 is a front view thereof;  
FIG. 4 is a rear view thereof;  
FIG. 5 is a right side view thereof;  
FIG. 6 is a left side view ; thereof; and  
FIG. 7 is a top view thereof; and,  
FIG. 8 is a bottom view thereof.

The broken lines shown in the drawings depict portions of  
the digital camera that form no part of the claimed design.

**1 Claim, 8 Drawing Sheets**



(56)

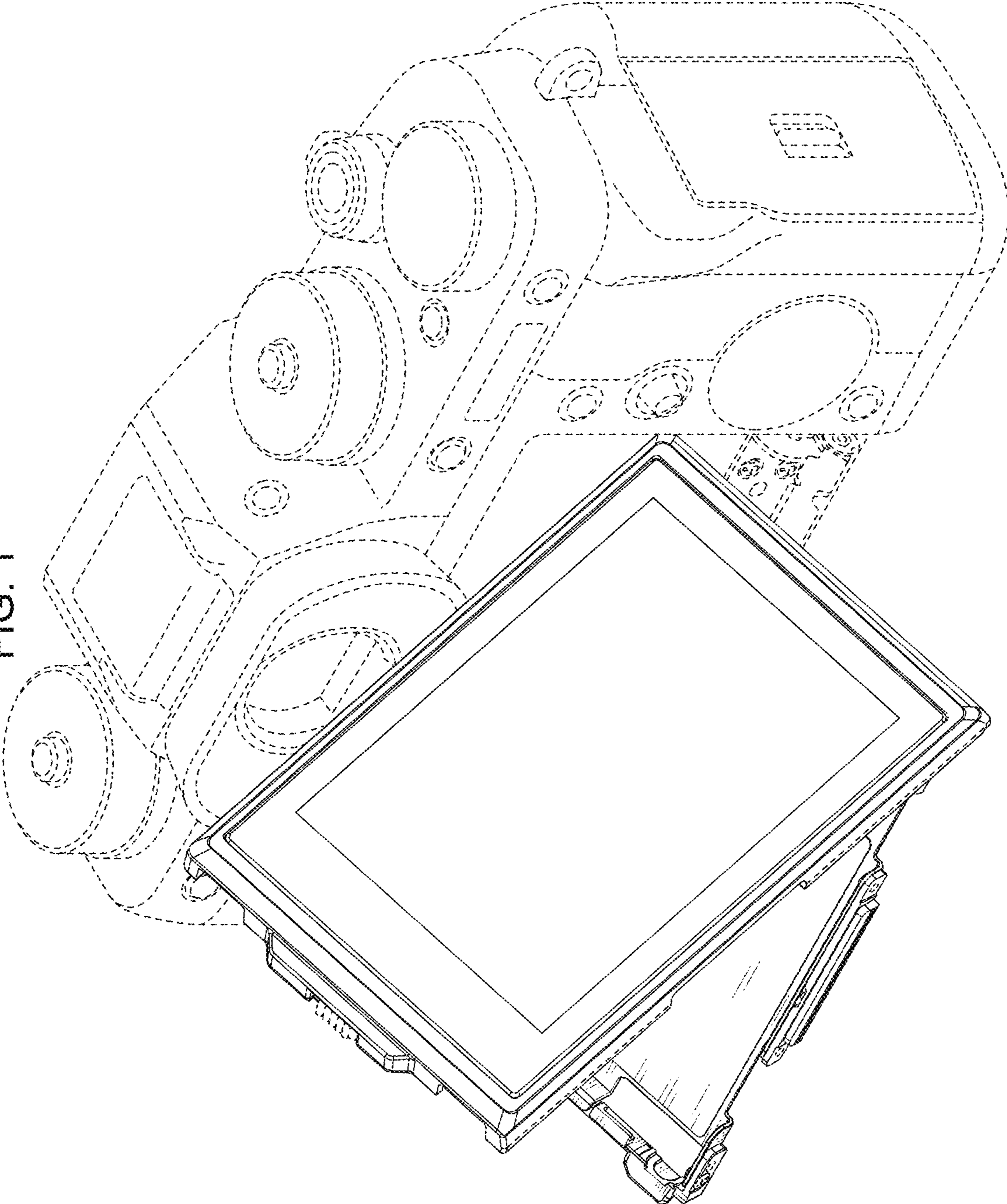
**References Cited**

U.S. PATENT DOCUMENTS

2012/0081593 A1\* 4/2012 Nakagawa ..... G03B 13/04  
348/333.06  
2012/0105739 A1\* 5/2012 Shimizu ..... F21V 5/04  
348/790  
2013/0038769 A1\* 2/2013 Xiaoping ..... H04N 5/2251  
348/333.01  
2013/0093946 A1\* 4/2013 Nakagawa ..... H04N 5/2252  
348/374  
2013/0180750 A1\* 7/2013 Fujiwara ..... G03B 17/02  
174/50  
2014/0063335 A1\* 3/2014 Hirai ..... H04N 5/2252  
348/374  
2014/0184903 A1\* 7/2014 Takahashi ..... H04N 5/2254  
348/374  
2015/0107051 A1\* 4/2015 Sakai ..... G03B 17/02  
16/223  
2016/0252798 A1\* 9/2016 Igi ..... G03B 17/08  
348/375  
2016/0286116 A1\* 9/2016 Ohtsuka ..... H04N 5/23203  
2017/0078535 A1\* 3/2017 Akiyama ..... G03B 17/02  
2017/0078579 A1\* 3/2017 Akiyama ..... H04N 5/23293

\* cited by examiner

FIG. 1



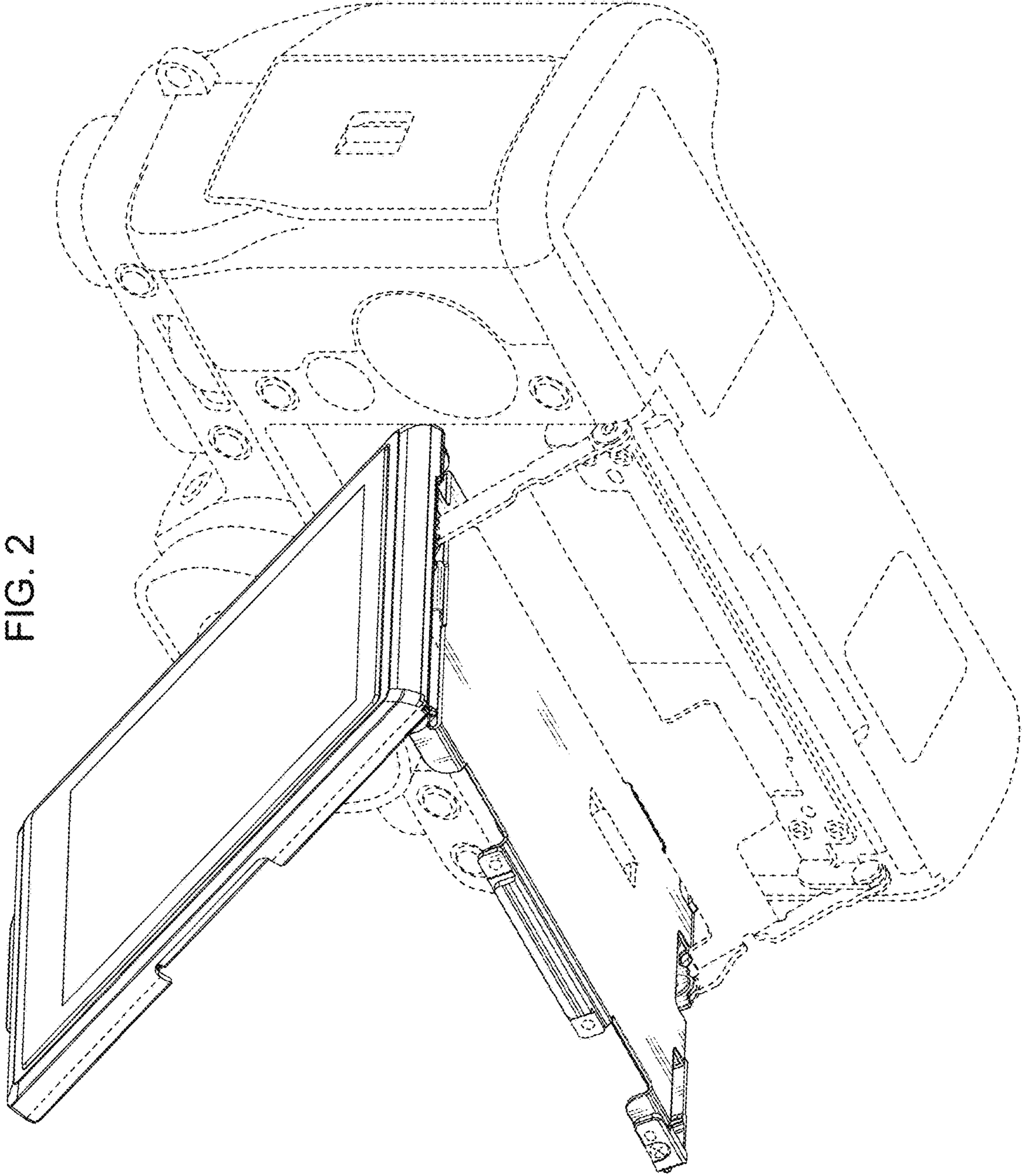


FIG. 3

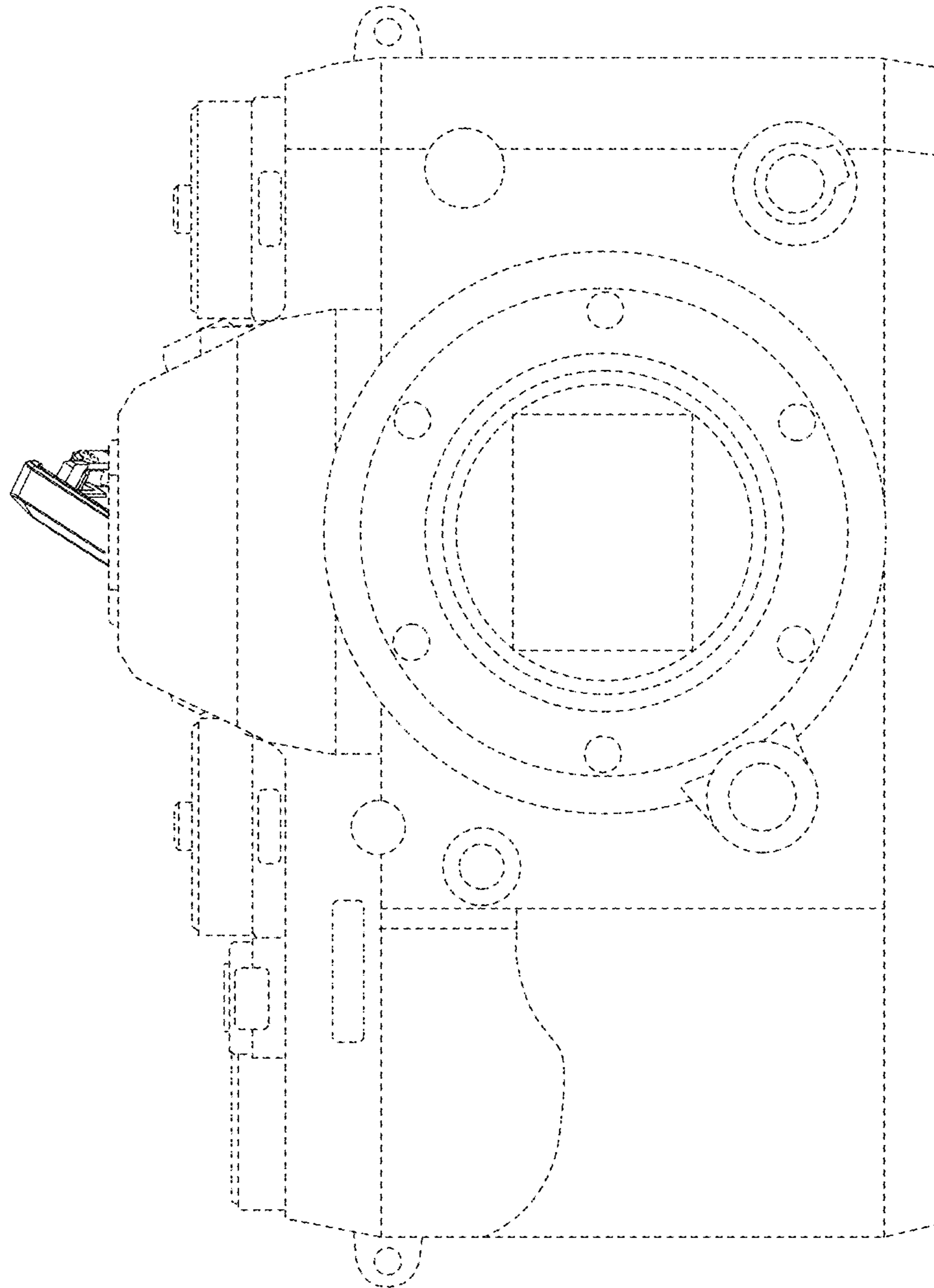


FIG. 4

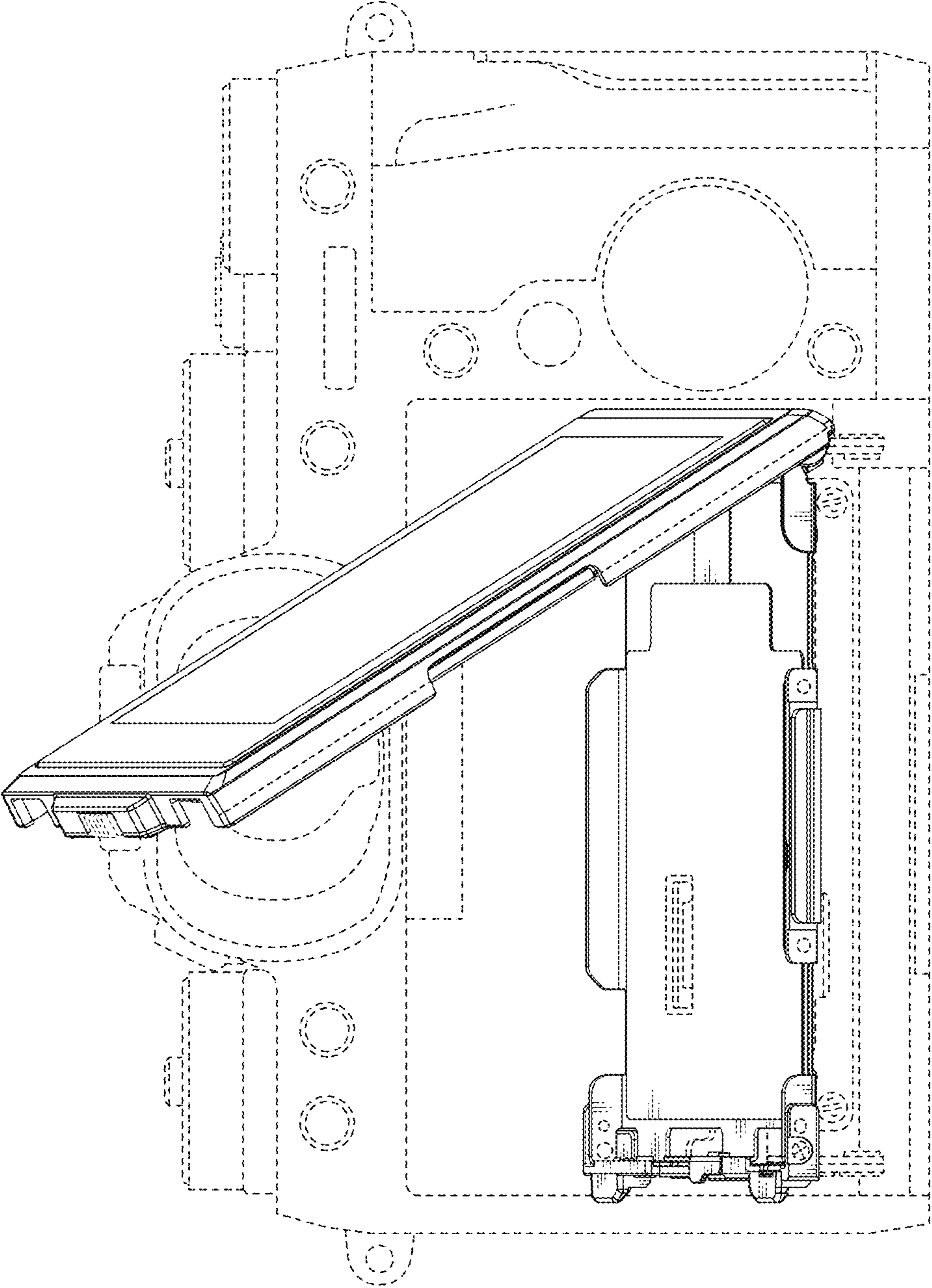


FIG. 5

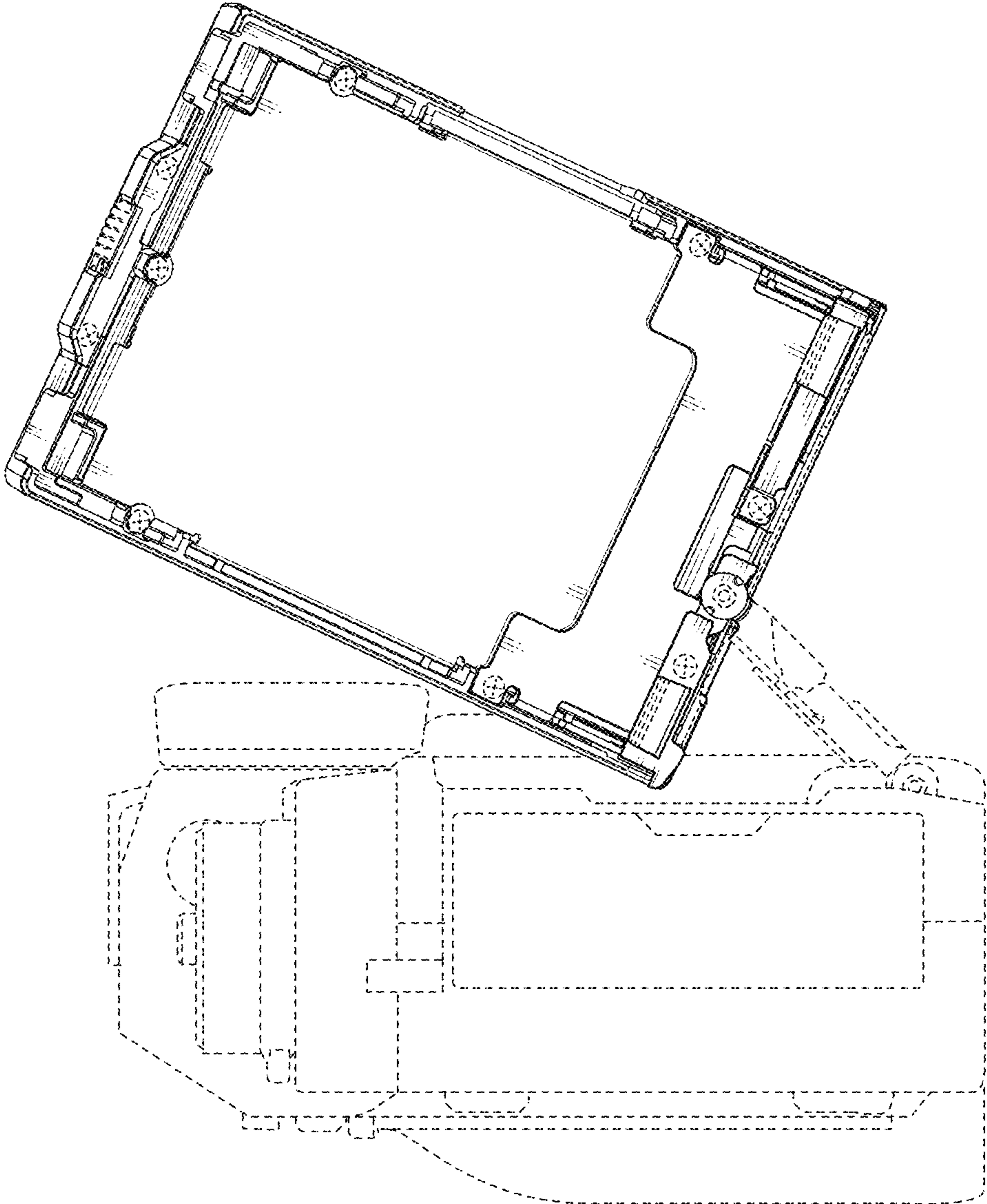


FIG. 6

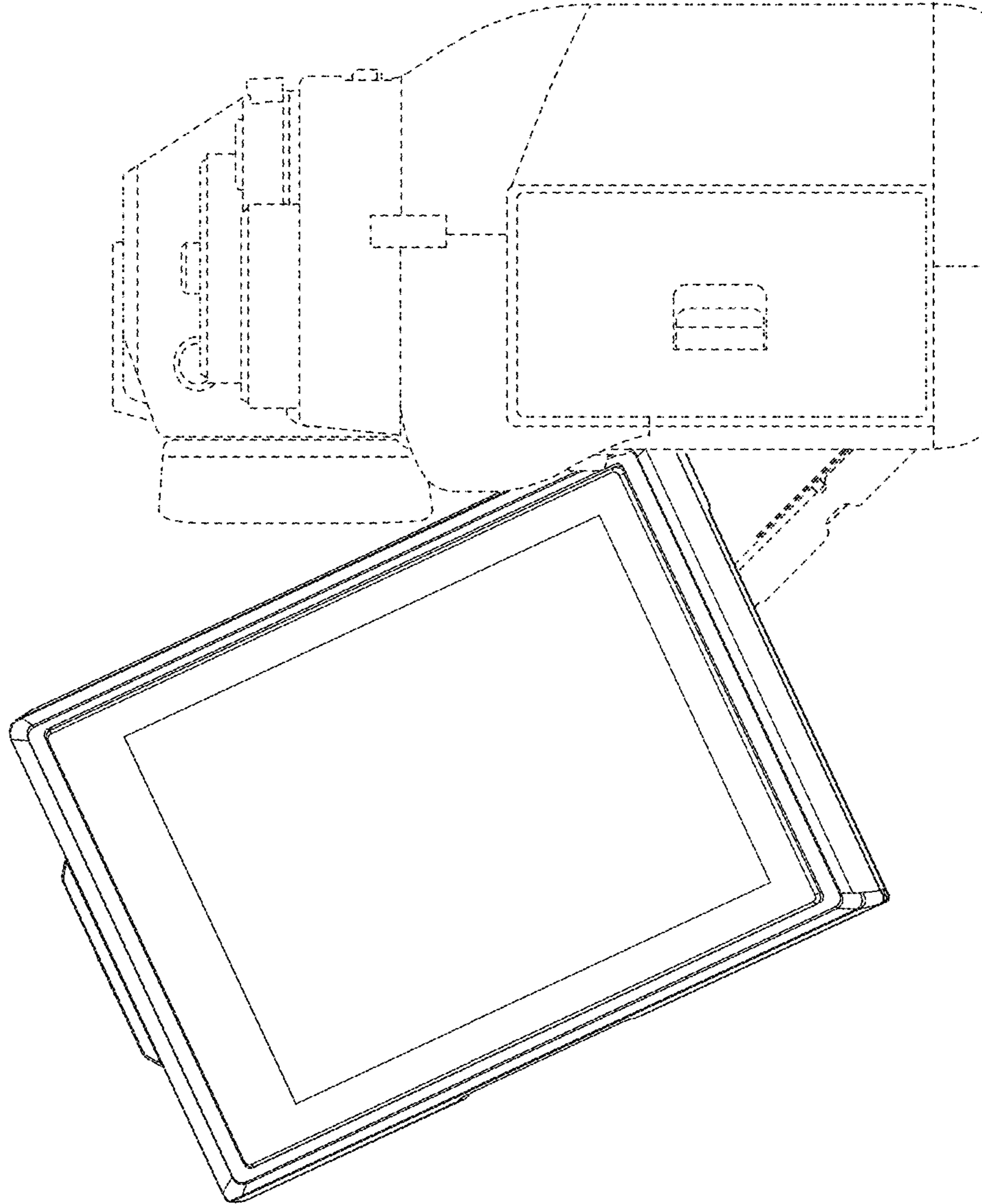




FIG. 7

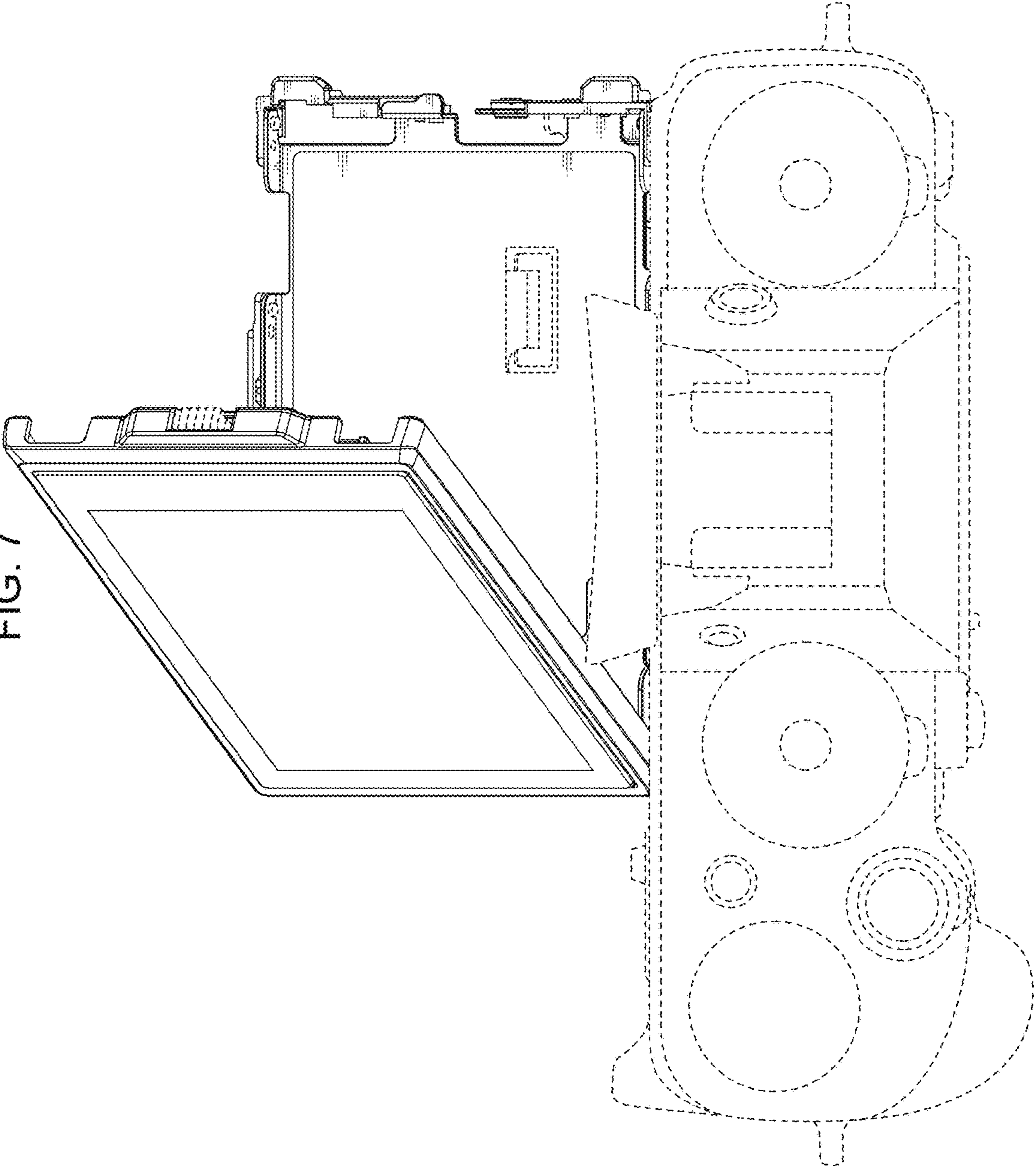


FIG. 8

