



US00D855678S

(12) **United States Design Patent**
Boling et al.

(10) **Patent No.:** **US D855,678 S**

(45) **Date of Patent:** **** Aug. 6, 2019**

(54) **REARVIEW MIRROR DOME CAMERA UNIT**

(71) Applicant: **Procon Analytics, LLC**, Irvine, CA (US)

(72) Inventors: **Brian Boling**, Irvine, CA (US);
Michael Nalepka, Franklin, TN (US)

(73) Assignee: **Procon Analytics, LLC**, Irvine, CA (US)

(**) Term: **15 Years**

(21) Appl. No.: **29/621,455**

(22) Filed: **Oct. 9, 2017**

(51) **LOC (12) Cl.** **16-01**

(52) **U.S. Cl.**
USPC **D16/218**

(58) **Field of Classification Search**
USPC D16/200–204, 208, 218, 219;
D12/187–189, 400; 340/932.2, 933, 937;
348/143, 148, 151, 360, 373–376;
396/419, 427–429, 433, 529, 535,
396/537–541

CPC G03B 15/03; G03B 17/02; G03B 17/04;
G03B 17/48; G03B 17/56; G03B 19/04;
G08G 1/0175; H04N 5/2251; H04N
5/2252; H04N 5/2253; H04N 5/2254

See application file for complete search history.

(56) **References Cited**

U.S. PATENT DOCUMENTS

D389,500 S *	1/1998	Krekelberg	D16/202
D412,003 S *	7/1999	Sumida	D16/202
D486,509 S *	2/2004	Suzuki	D16/202
D544,513 S *	6/2007	Hayashi	D16/202
D638,458 S *	5/2011	Miyamori	D16/202
D641,771 S *	7/2011	Sasaki	D16/202
D651,632 S *	1/2012	Kim	D16/202

D659,732 S *	5/2012	Kim	D16/202
D692,473 S *	10/2013	Kawaguchi	D16/202
D732,594 S *	6/2015	Kawa	D16/202
D747,383 S *	1/2016	Li	D16/203
D824,988 S *	8/2018	Boling	D16/218
2013/0038728 A1*	2/2013	Kim	H04N 5/2252 348/143

* cited by examiner

Primary Examiner — Ramzi S Almatrahi

(74) *Attorney, Agent, or Firm* — Luedeka Neely Group, P.C.

(57) **CLAIM**

The ornamental design for a rearview mirror dome camera unit, as shown and described.

DESCRIPTION

FIG. 1 is a front perspective view of a rearview mirror dome camera unit;

FIG. 2 is a rear perspective view of the rearview mirror dome camera unit;

FIG. 3 is a right side elevation view of the rearview mirror dome camera unit;

FIG. 4 is a left side elevation view of the rearview mirror dome camera unit;

FIG. 5 is a front elevation view of the rearview mirror dome camera unit;

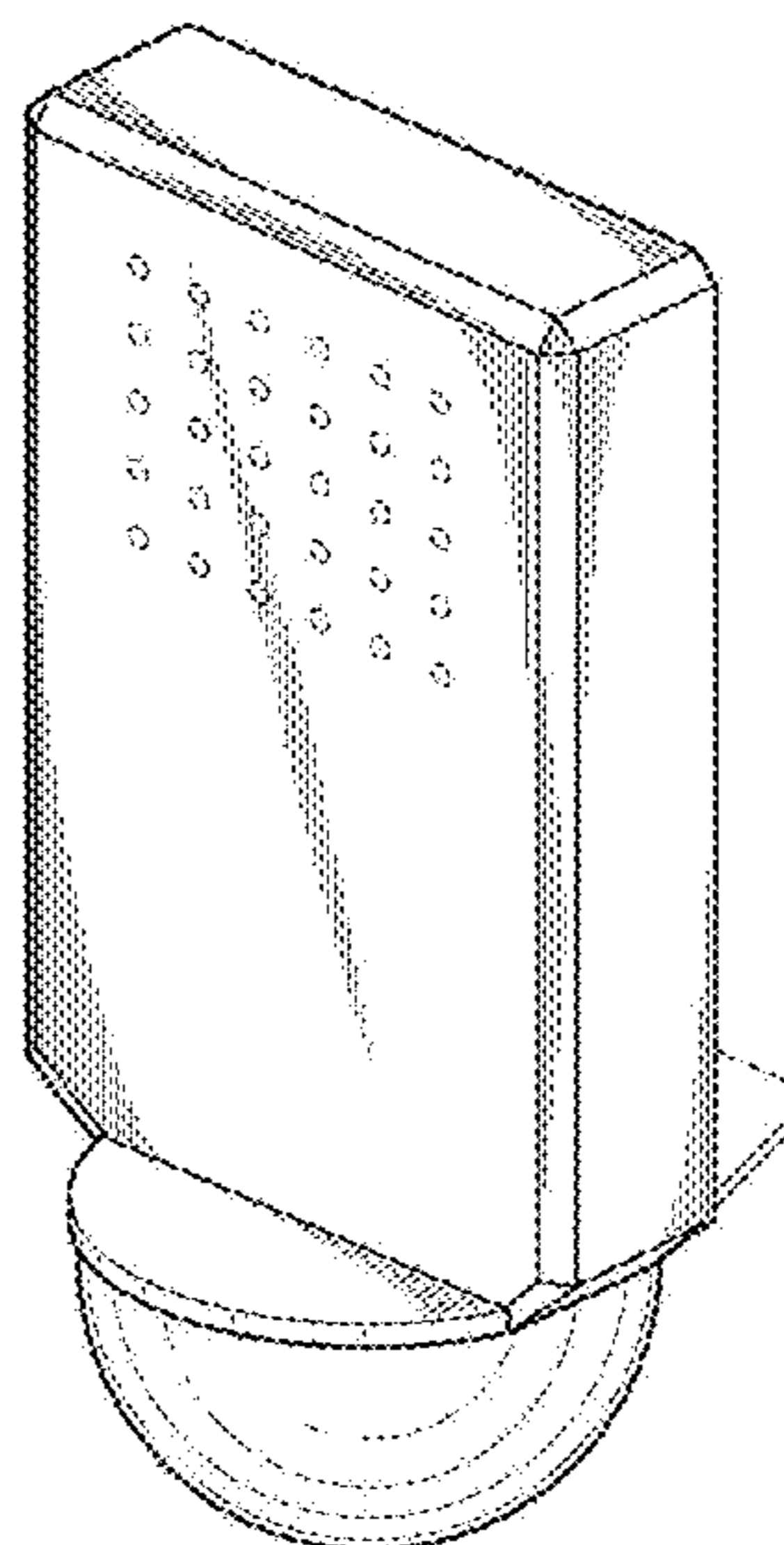
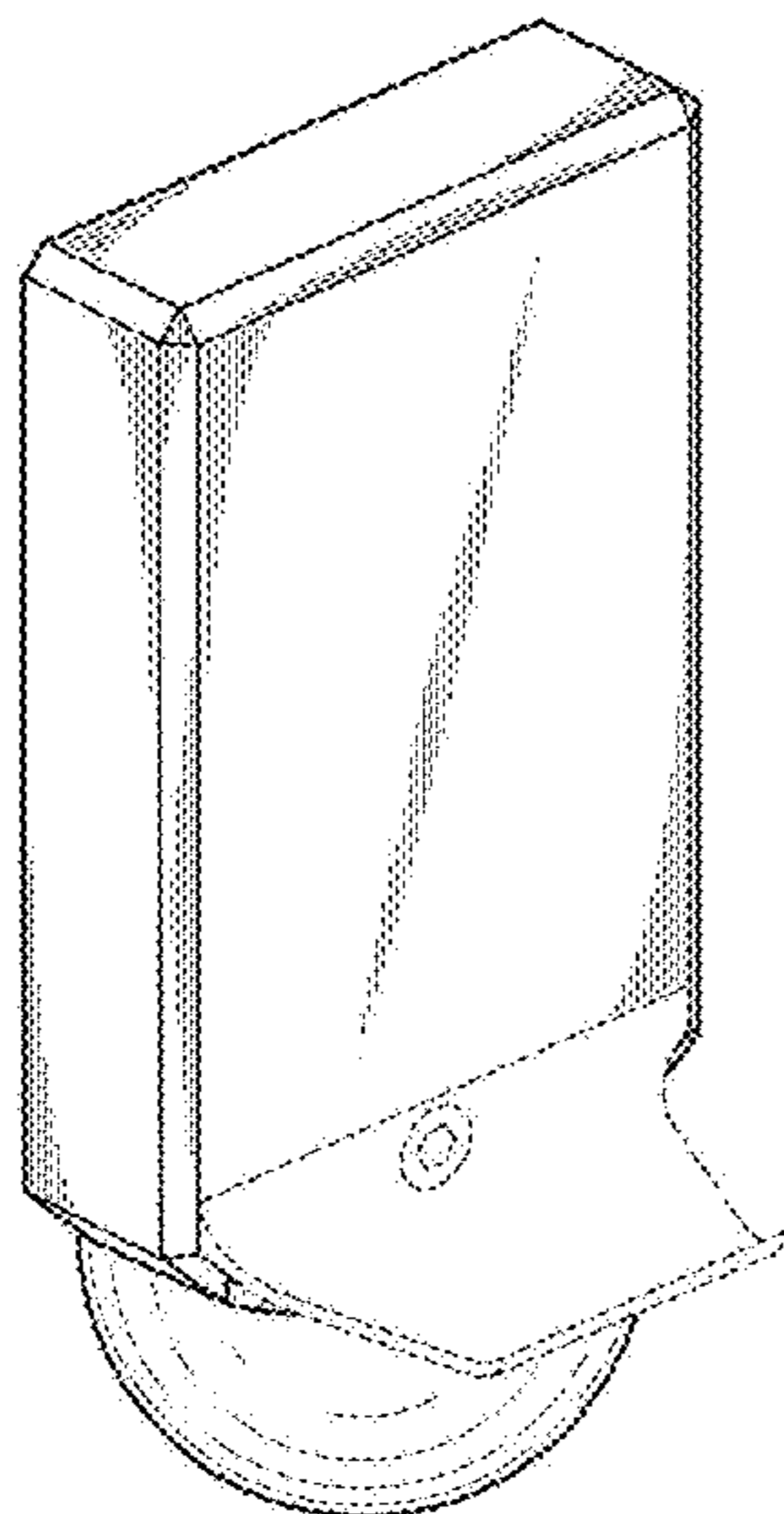
FIG. 6 is a rear elevation view of the rearview mirror dome camera unit;

FIG. 7 is a top plan view of the rearview mirror dome camera unit; and,

FIG. 8 is a bottom plan view of the rearview mirror dome camera unit.

The broken lines depict portions of the rearview mirror dome camera unit in which the design is embodied that form no part of the claimed design.

1 Claim, 6 Drawing Sheets



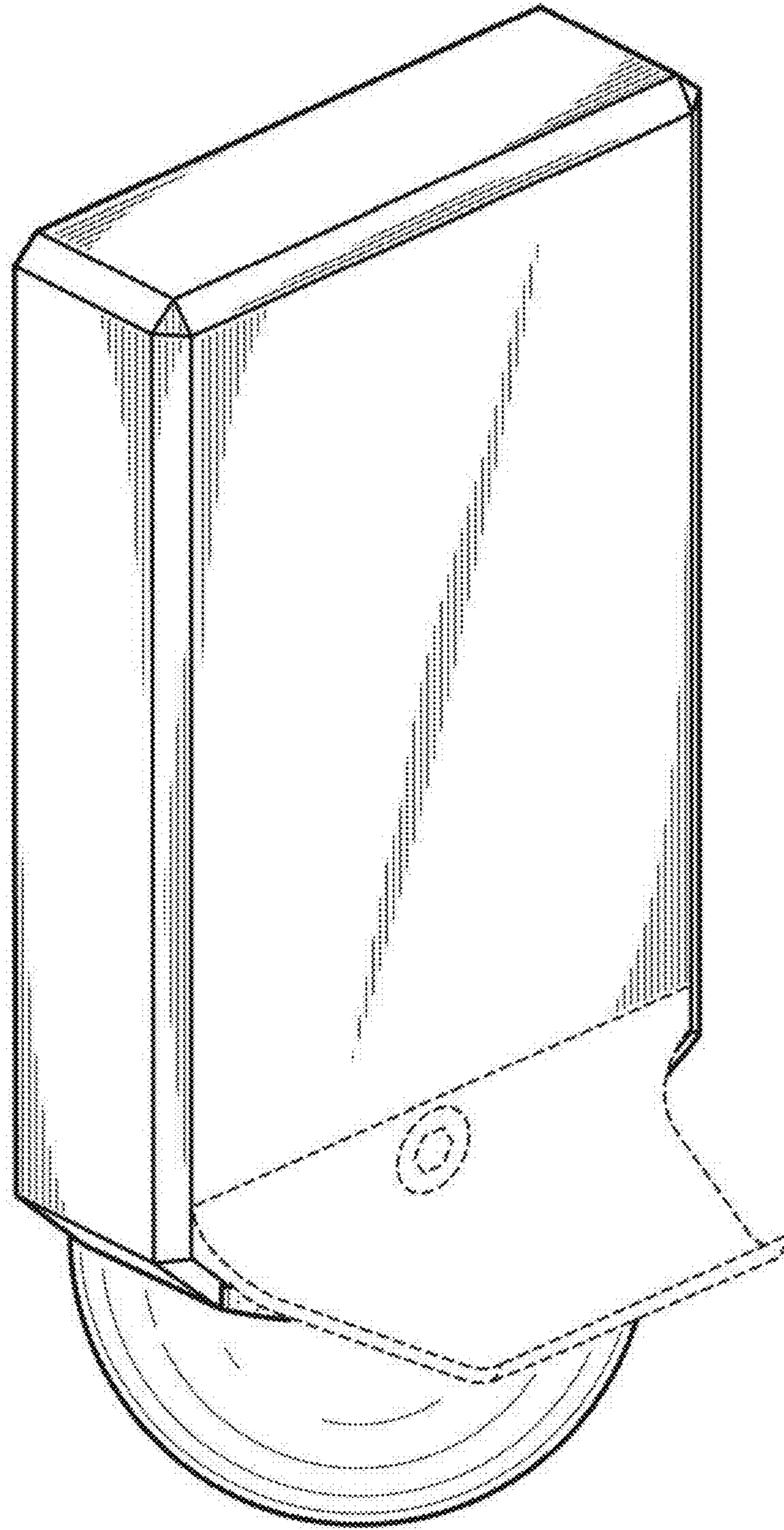


FIG. 1

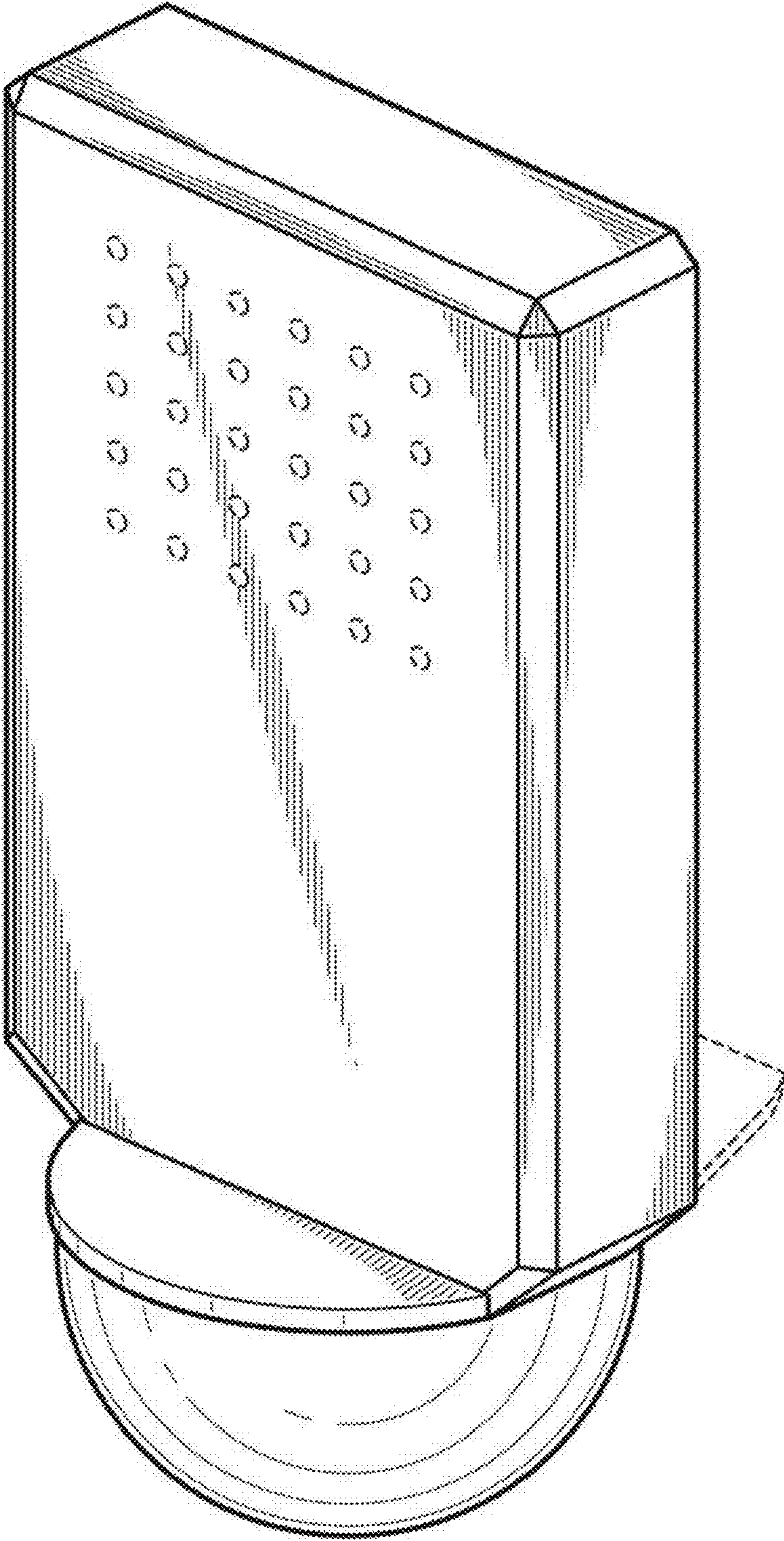


FIG. 2

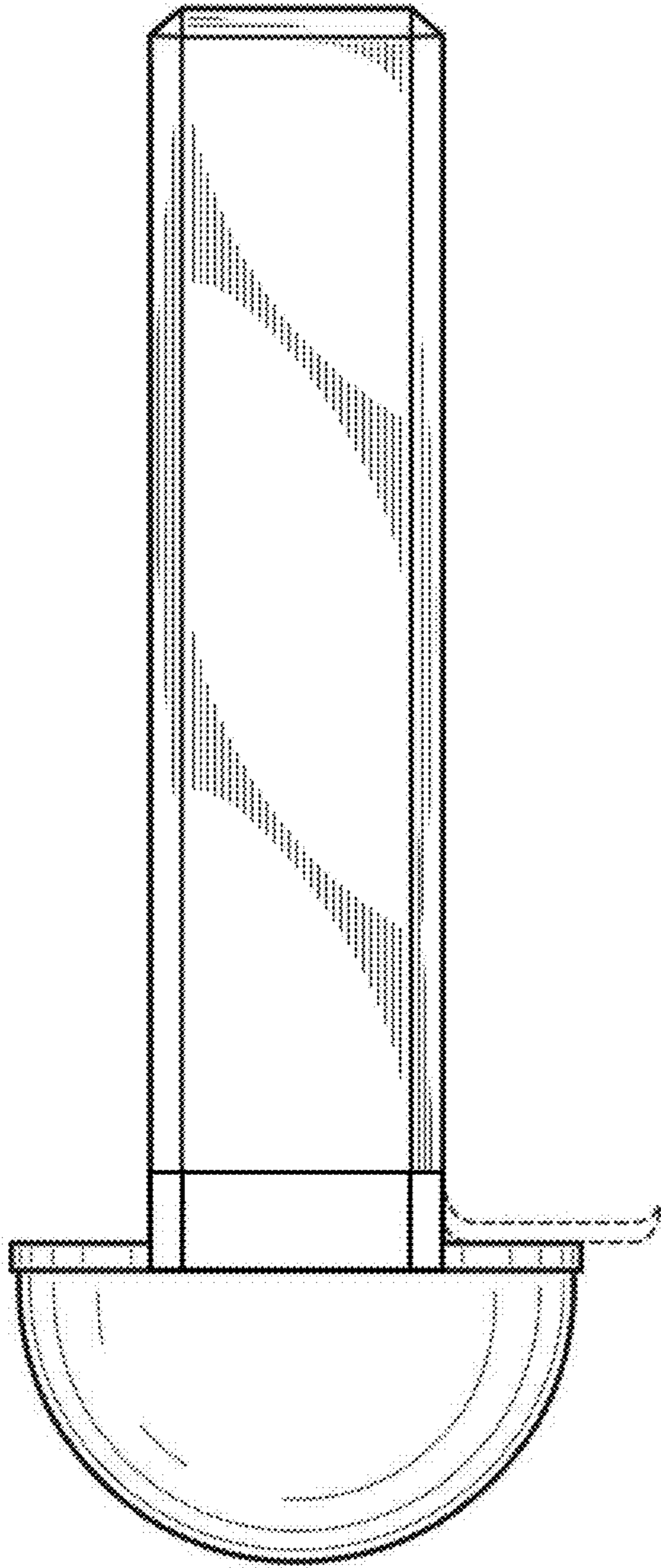


FIG. 3

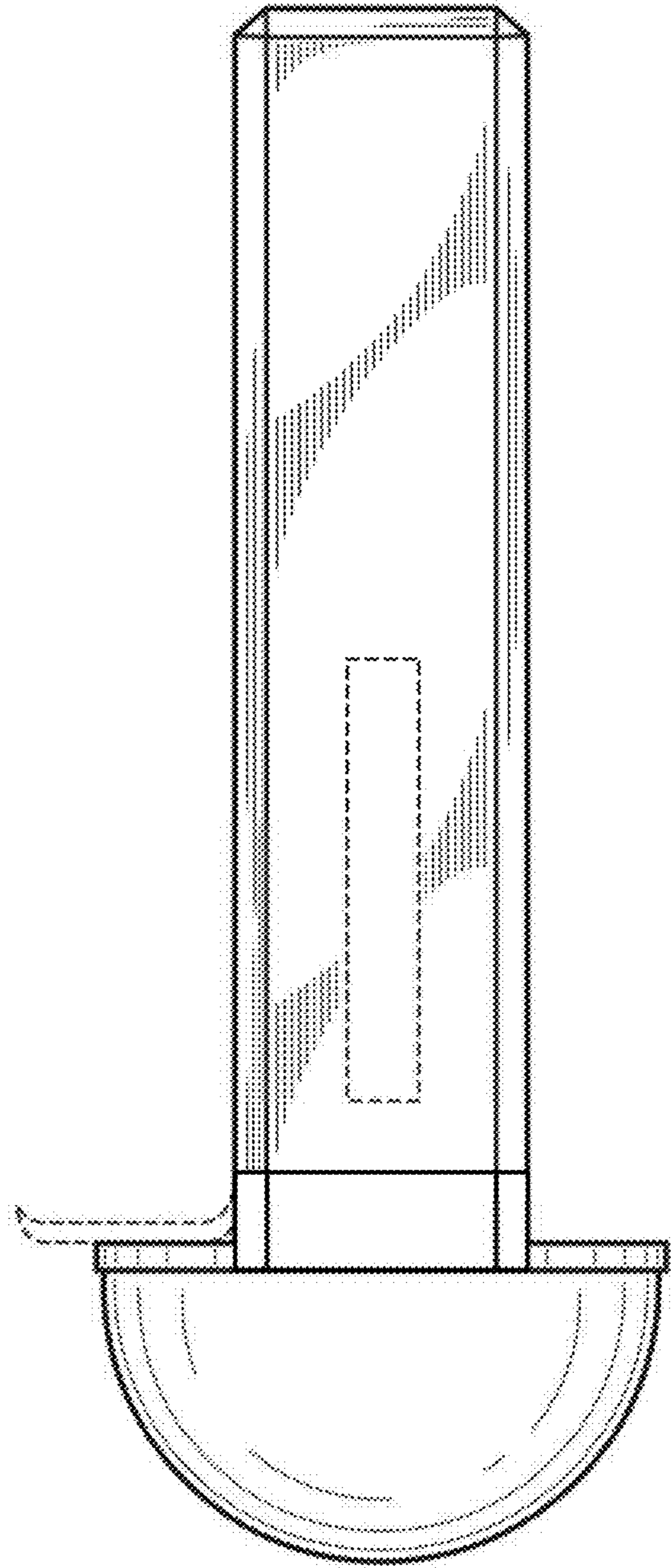


FIG. 4

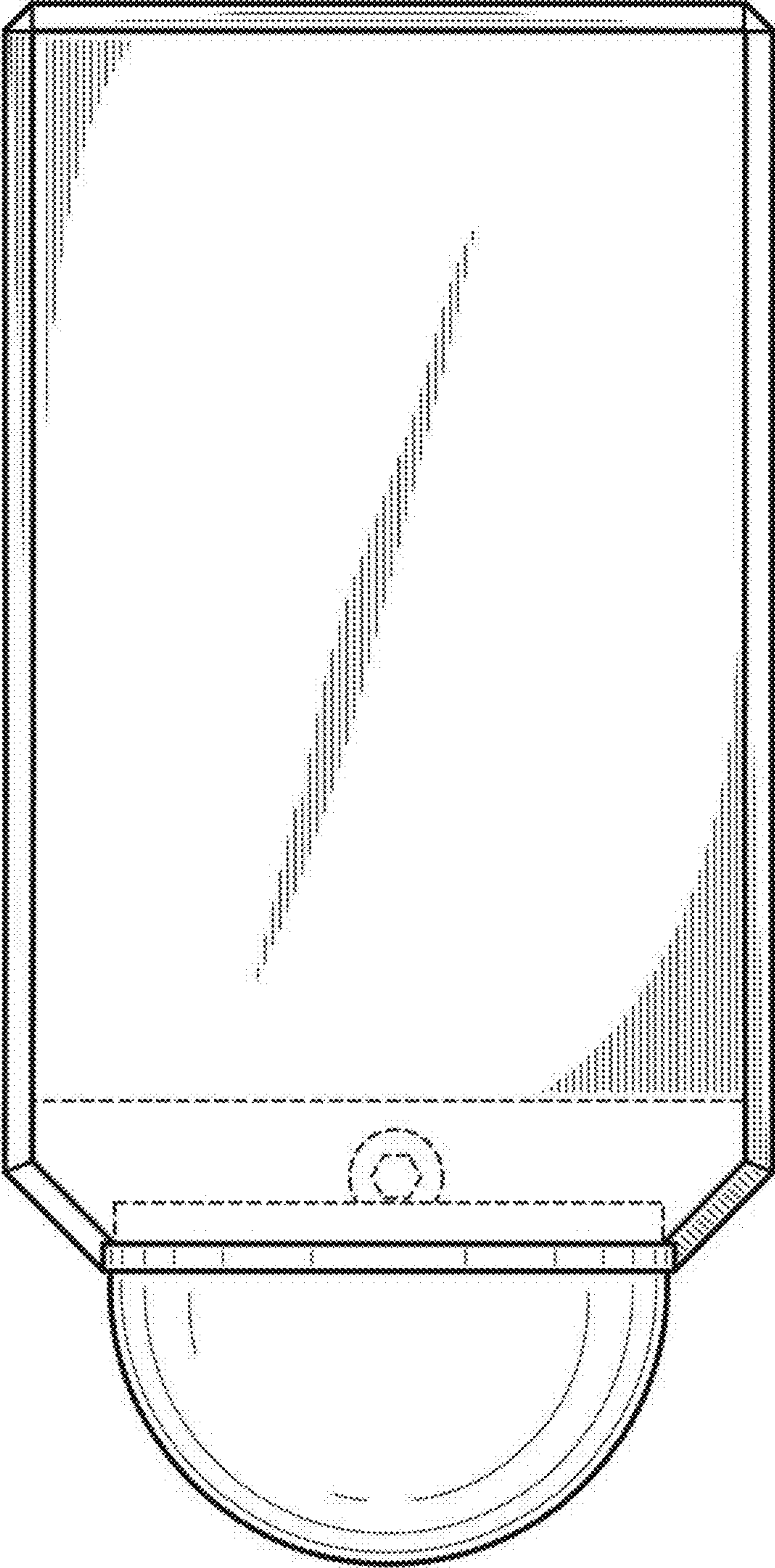


FIG. 5

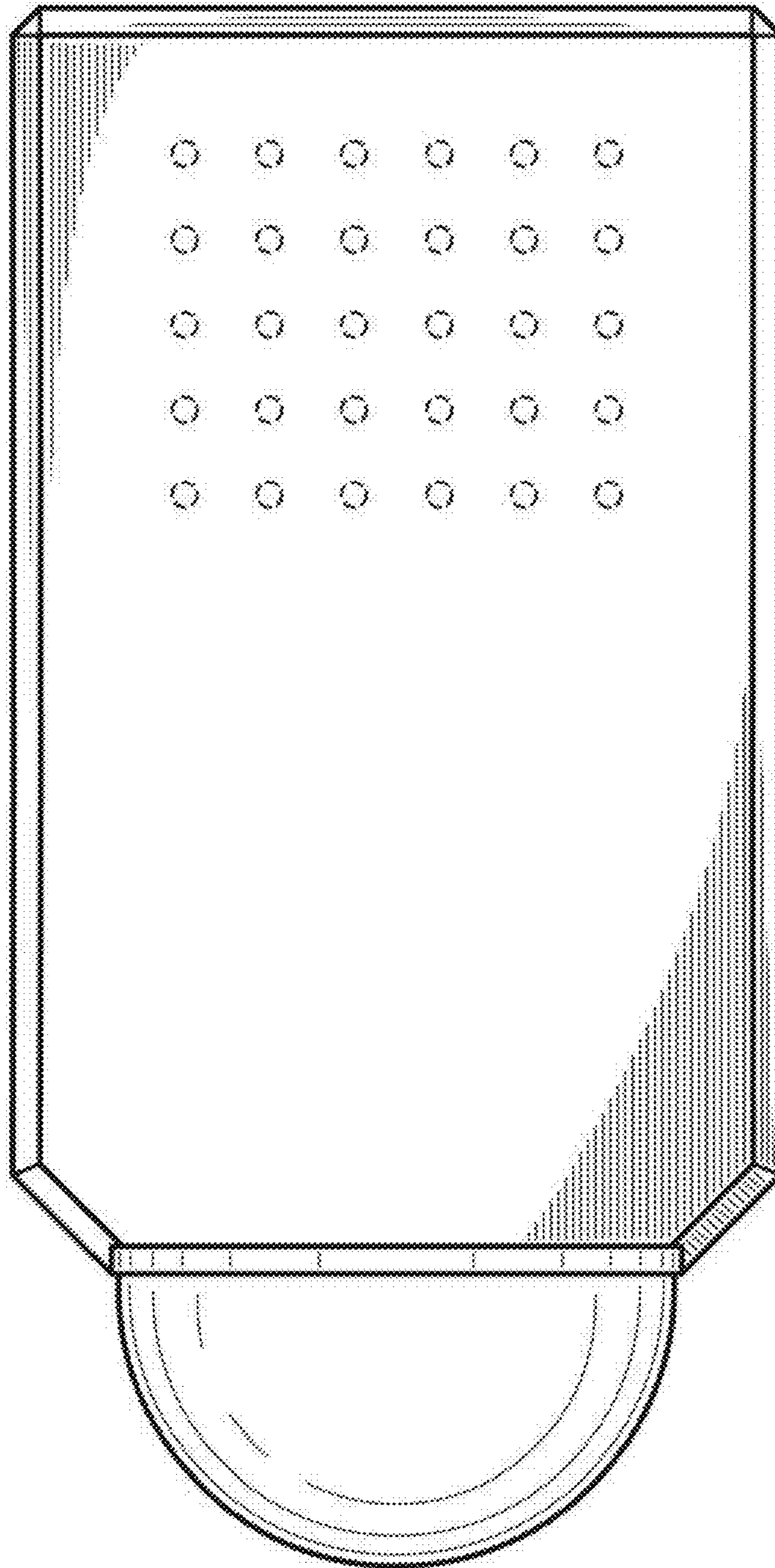


FIG. 6

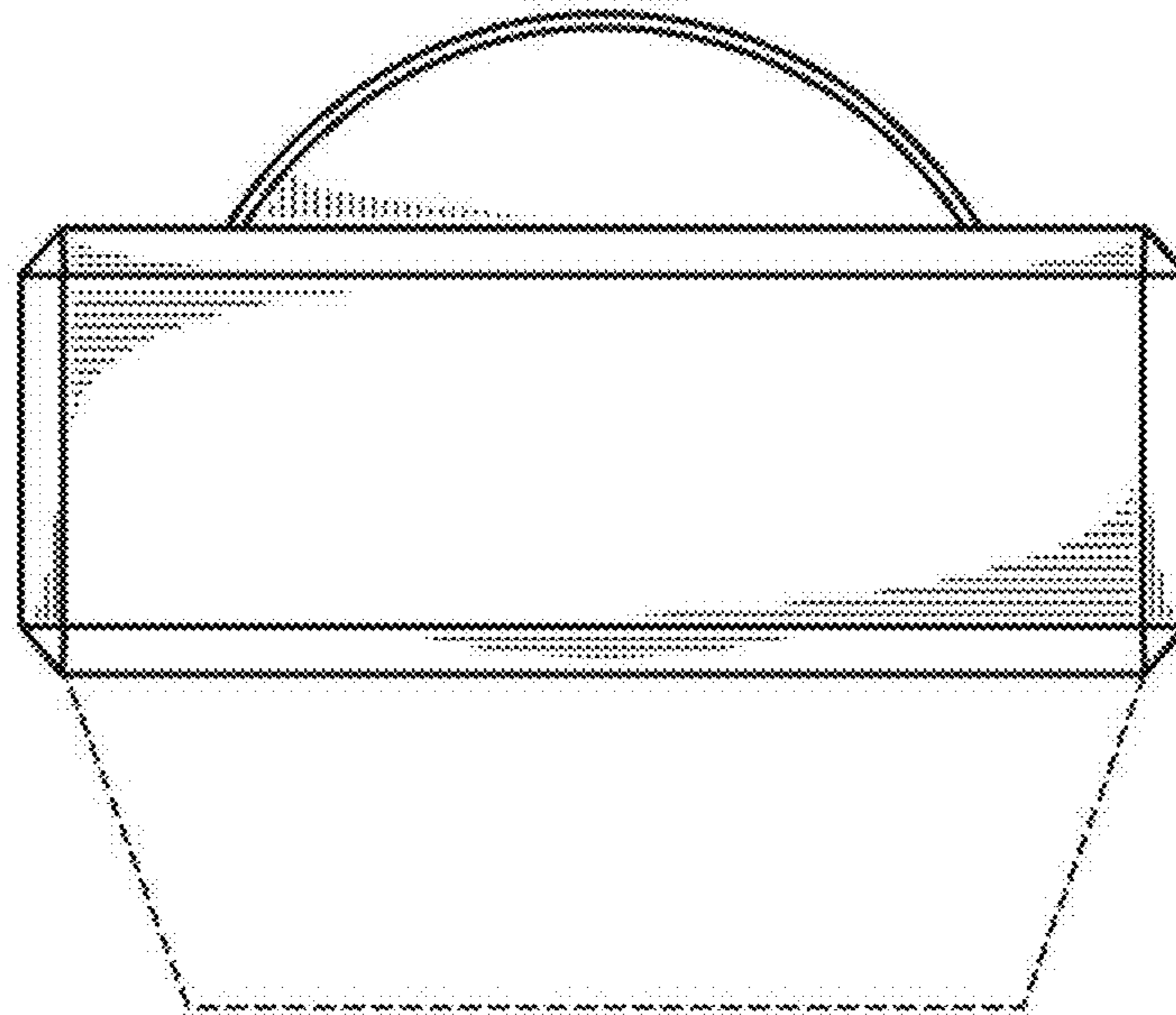


FIG. 7

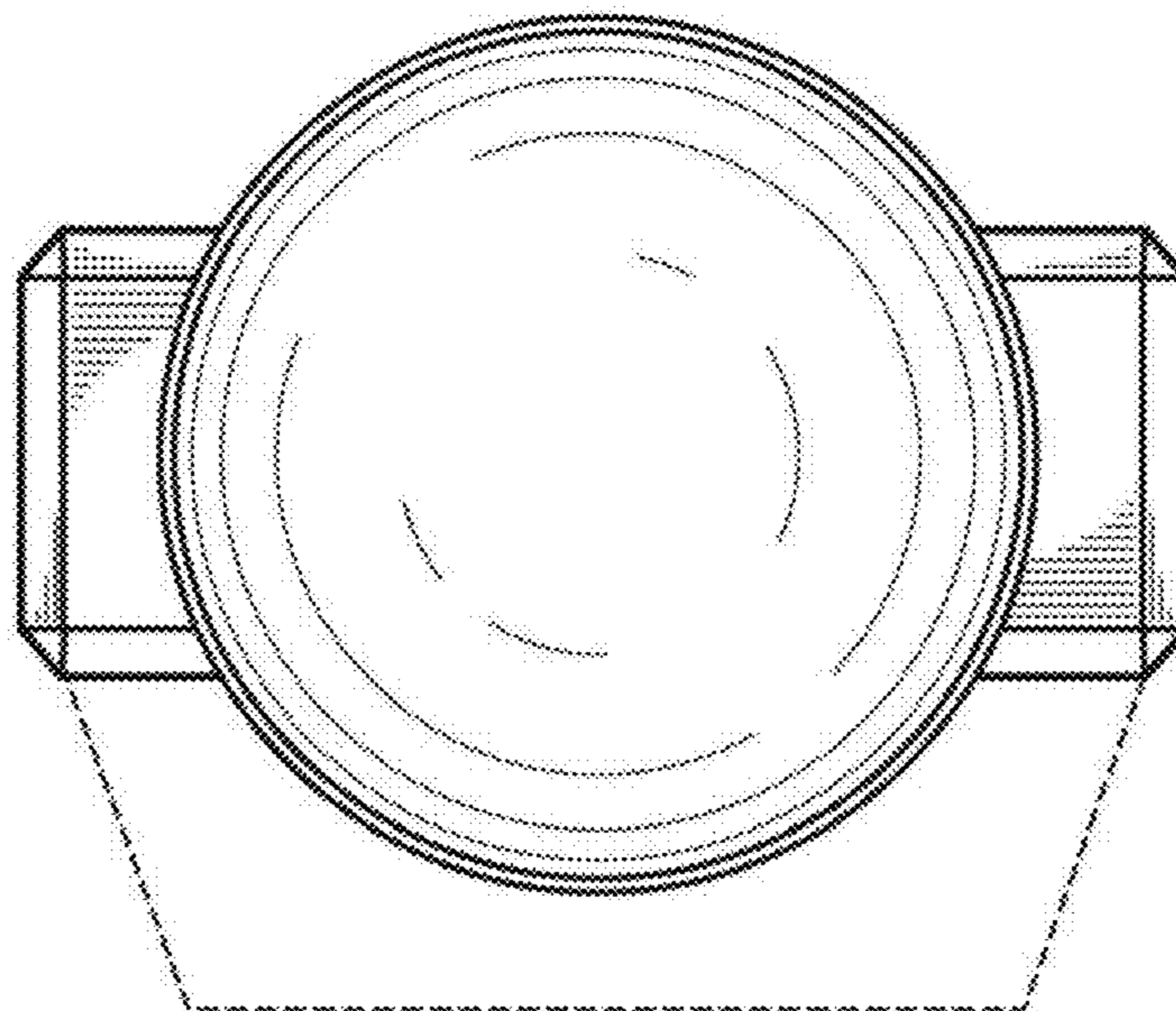


FIG. 8